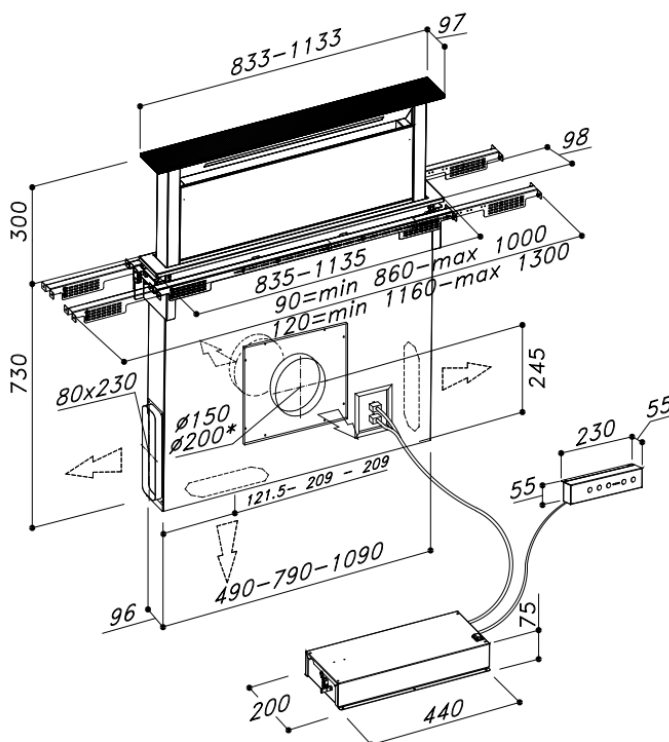




Made in Italy

The "Stone" Downdraft is supplied without the top control panel and therefore can be customized according to the needs of the end customer. The touch controls can be placed inside the cabinet in a hidden but easily accessible position



**Motor:**

available with motor on board or external motor (to be purchased separately)

**Lighting:**

1x14W neon ( 875mm version)  
1x21W neon (1175mm version)

**Control panel:**

Touch control 4 speeds+light switch+timer

**Grease filter:**

Anodized aluminum (4+1 layers)

**Material:**

Stainless steel AISI304

**Anti-crushing safety system**