

EN INSTALLATION, USE AND MAINTENANCE INSTRUCTION

SU-DD2-L

STONE

TO THE ATTENTION OF THE USER

It is designed to work in both suctioning mode, with outside evacuation, and filtering mode.



WARNING



Keep these instructions for use with the appliance. If the appliance should be sold or passed on to others, make sure that the instructions are passed on with it. We thank you for taking note of these suggestions before installing and using the appliance. They have been written for your personal safety and the safety of others.

SAFETY INSTRUCTIONS

These hoods have been designed for personal use in the home. The appliance must be used by adults. Make sure that the appliance is out of reach of children and that they do not use it to play with. Make sure that children do not operate the controls.

- When the appliance is delivered, check the overall appearance of the packaging. Any remarks should be written on the delivery coupon, of which you keep a copy. Your appliance is designed for normal domestic use. It is not designed for commercial or industrial use, or for purposes other than those for which it was designed.
- Any consequences of or damage from incorrect installation or incorrect use of the appliance will not be covered by the manufacturer's guarantee.
- Do not ever change or try to change the characteristics of this appliance. This would be a danger. Repairs must be performed only by an authorised technician. Always disconnect the hood before carrying out cleaning or maintenance operations.
- Adequately ventilate the room when a cooker hood and other appliances, powered by energy other than electricity, are used simultaneously, so that the hood does not suck any combustion fumes.
- It is not allowed to cook food over open flames (flambé) or operate gas hobs without pots or pans on them under the hood itself (the flames sucked into the hood might damage the appliance).
- Frying under the appliance must be done under constant supervision as hot oils and fats may ignite. Respect the guidelines for cleaning and replacement of grease filters. Accumulated deposits of grease are a fire hazard.
- This appliance must not be used over cook tops powered by wood or coal or in any case, over cook tops with power levels that could damage the appliance. Never use steam or high-pressure devices for cleaning your hood (regulations regarding electrical safety).
- Never use the cooker hood without the grease filters.
- The minimum distance between the Downdraft (closed) and the surface above it must be at least 400 mm.
- When handling the downdraft, never put your hands in the field of action of the extractable unit. Constantly seeking to improve our products, we reserve the right to modify their technical, functional, or aesthetic characteristics deriving from their upgrading. In the case of the version with external motor, for normal downdraft operation, it is necessary to use a suctioning unit (external motor) made by the same manufacturer. The air collected must not be conveyed into a flue used for smoke or fumes from appliances powered by anything other than electricity (central heating systems, etc.). As far as discharging exhaust air is concerned, please follow the guidelines given by competent authorities.

CONTENTS

INSTALLING THE COOKER HOOD	5
HOW TO USE THE COOKER HOOD	18
Grease filter removal, mounting the activated charcoal filter	20
Electrical connection of the cooker hood	21
HOW THE COOKER HOOD WORKS	22
CLEANING THE COOKER HOOD	26
OPERATIONAL ANOMALIES	27
AFTER SALES SERVICE	27

INSTALLING THE COOKER HOOD

1. Before carrying out the appliance installation, please check that all components are not damaged, in such a case contact your retailer and do not carry out any installation operation. Before the installation of the Downdraft, please remove the safety piece you can see in the picture (Fig. 1).



Furthermore, please read carefully all of the following installation instructions.

- Use an air exhausting pipe whose maximum length does not exceed 5 meters.
 - Limit the number of elbows in the piping, since each elbow reduces the air capacity of 1 linear meter. (Ex. : if you use no. 2 x 90 ° elbows, the length of piping should not exceed 3 meters).
 - Avoid abrupt direction changes.
 - Use a 150 mm. constant diameter pipe for the whole length.
 - Use piping approved by standards in force.
- The manufacturer shall not be deemed responsible for air capacity or noise problems caused by failure to comply with the above instructions and no warranty on the product shall be provided.

2. Before making the hole, check that there are no structural or other parts inside the cabinet, where the appliance is to be placed, which could hinder a proper installation. Check that the dimensions of the Downdraft and the ones of the cook top are compatible with the cabinet so that the installation can be carried out properly.

3. Make a rectangular hole 837x100 mm for the 880mm version or 1137x100 mm for the 1180mm version in the rear part of the hob (see fig. 2).

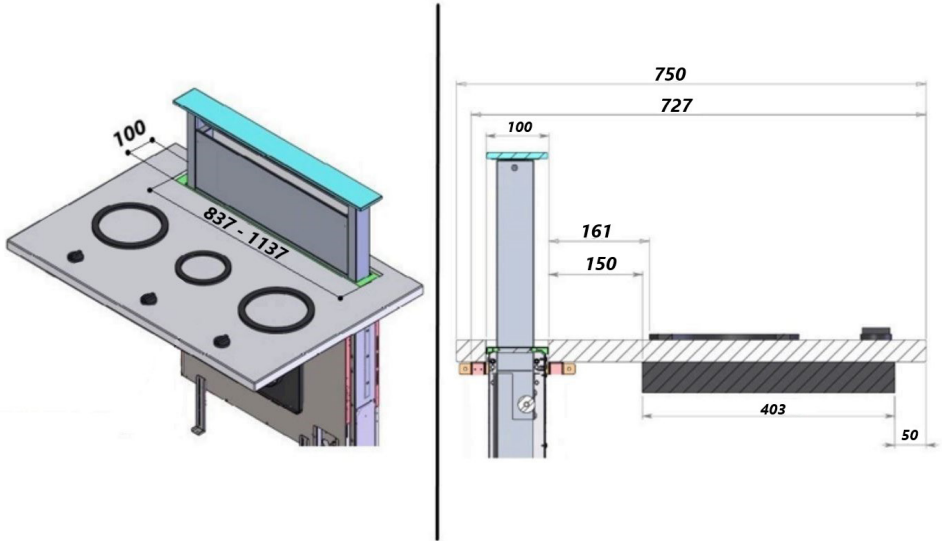


Fig. 2

4. Take the accessories supplied in the package (A-B-C-D see fig.3),



Fig. 3

assemble part A with B and C with D (fig. 4).

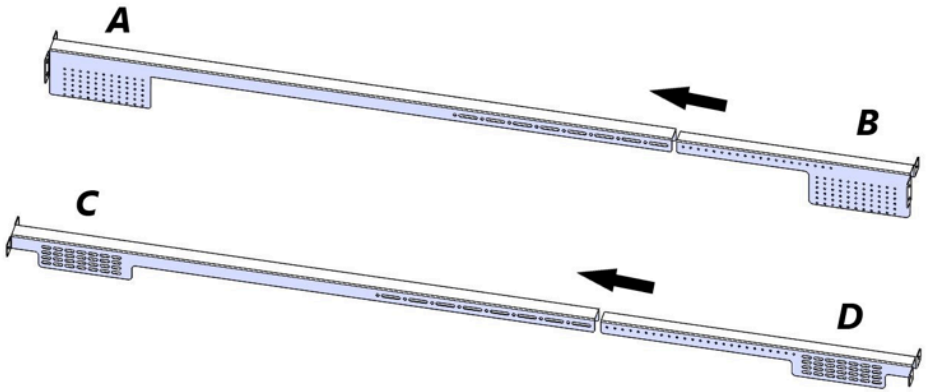


Fig. 4

5. Install the preassembled accessories in correspondence with the hole drilled (fig. 5), bearing in mind that they can cover different types of furniture from a minimum dimension of 860mm to a maximum dimension of 1000mm.

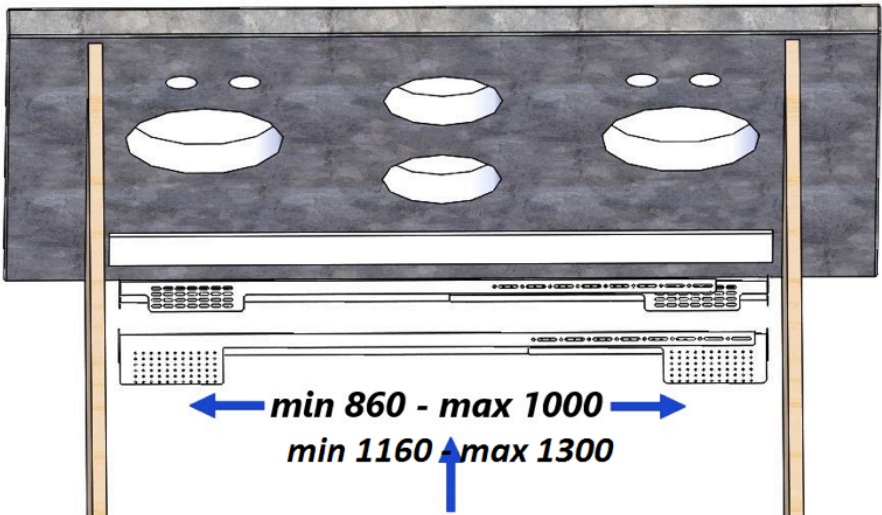


Fig. 5

Fix the width of the pairs of accessories using the screws supplied in the special slots, n. 2 screws on each side (fig. 6) taking care not to screw them completely.

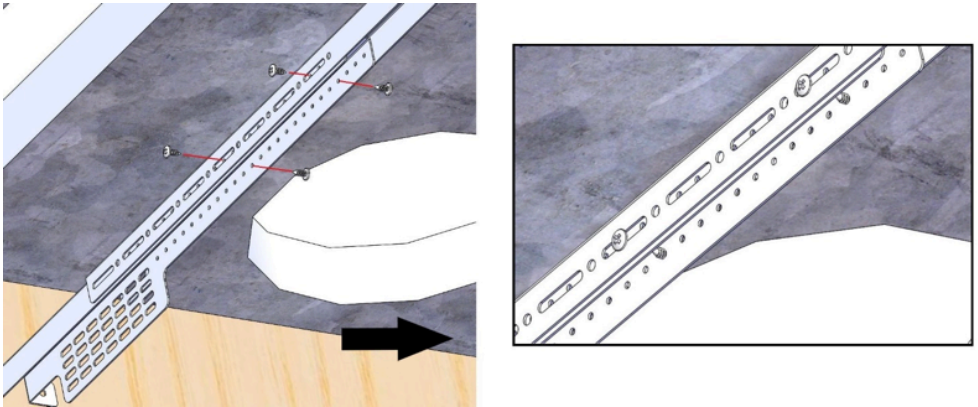


Fig. 6

Position the accessories against the base of the hob
(A + B side 1 / C + D side 2 of the rectangular hole see fig. 7)

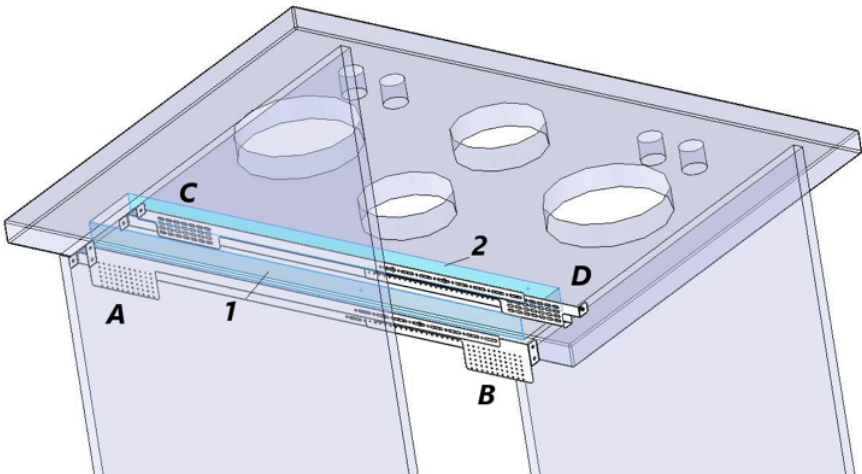


Fig. 7

and fix them on both sides with screws (fig. 8).

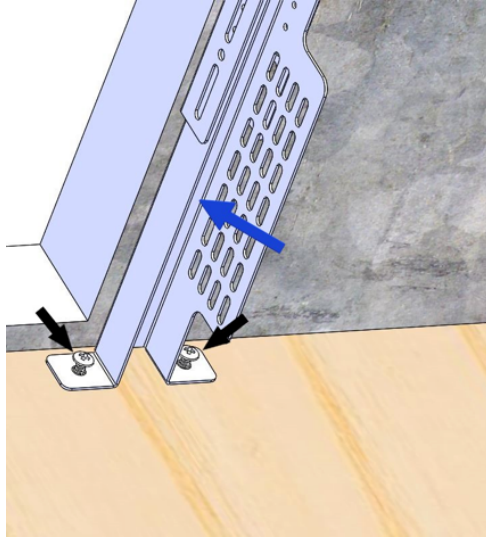


Fig. 8

Warning: the accessories must be fixed in correspondence with the rectangular hole (each pair on each long side) at a maximum distance of 107mm (fig. 9)

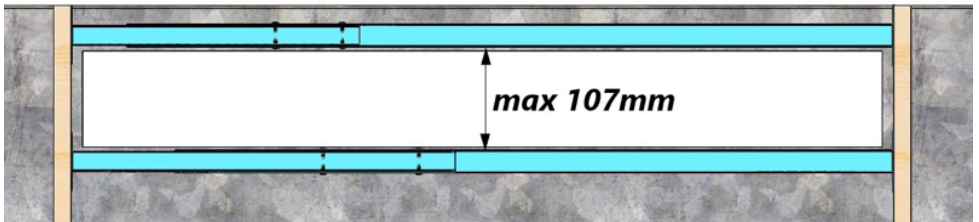


Fig. 9

(for an good assembly take the components "E - F" fig.10 and insert them between the accessories, respectively E for the left part and F for the right part, see fig.11, in order to check the correct positioning at the height above said).

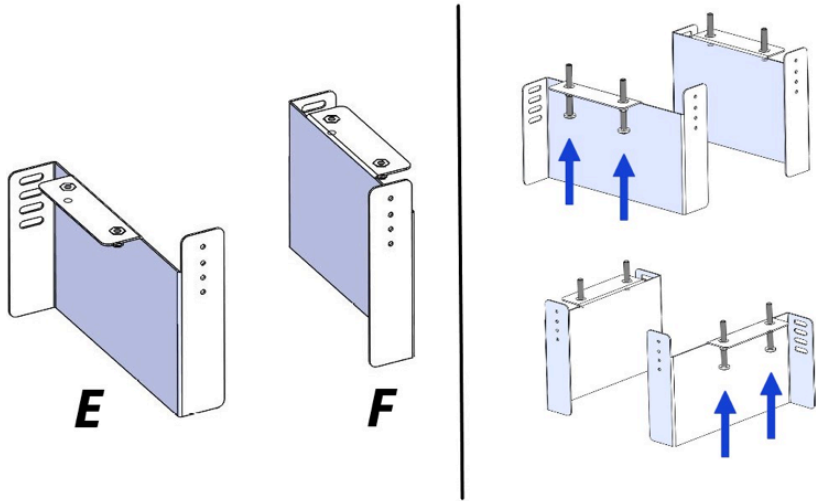


Fig. 10

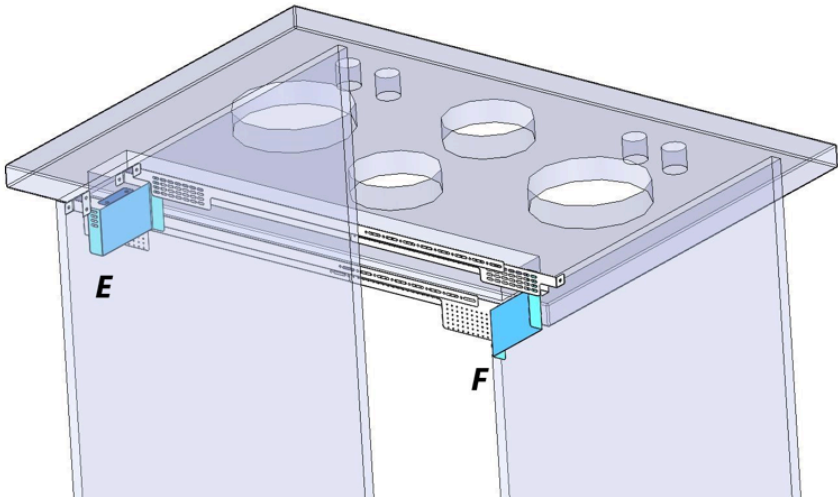


Fig. 11

Further expedient fix the accessories so that the screws previously inserted to lock the width do not go beyond the rectangular hole (see fig. 12), this to prevent the downdraft from hitting the screws during installation.

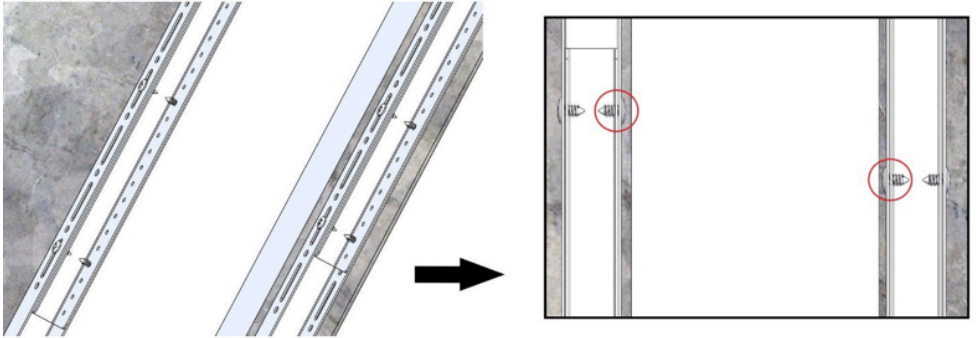


Fig. 12

Before proceeding to the next point, remember to tighten the screws left slow and check that everything is stable.

6. Take the E - F components (if not present, insert the adjustment screws as shown in fig.10) position them as previously seen (E for the left part and F for the right part, see fig.11) and fix them on both the sides with screws (fig. 13).

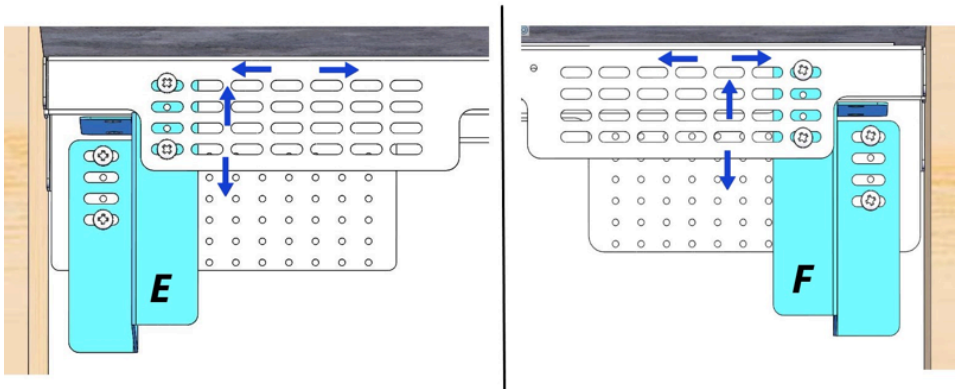


Fig. 13

Note well the fixing system has several slots to allow adjustments of the downdraft both on the basis of its width (left - right) and on the thickness of the top to be glued on the downdraft (top - bottom) (see fig. 13).

7. Install the downdraft in the hole made, inserting it from above (fig. 14),

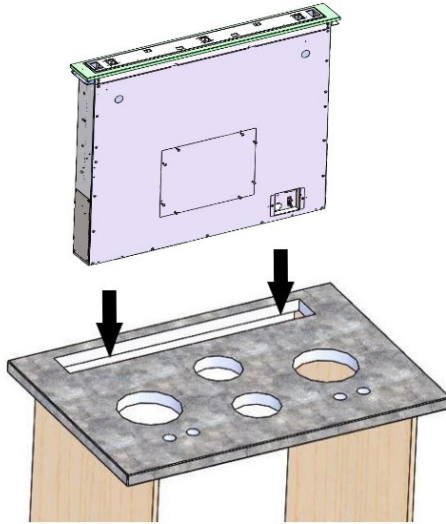


Fig. 14

Place the downdraft brackets on the adjustment screws previously preassembled in the E - F components (fig. 15).

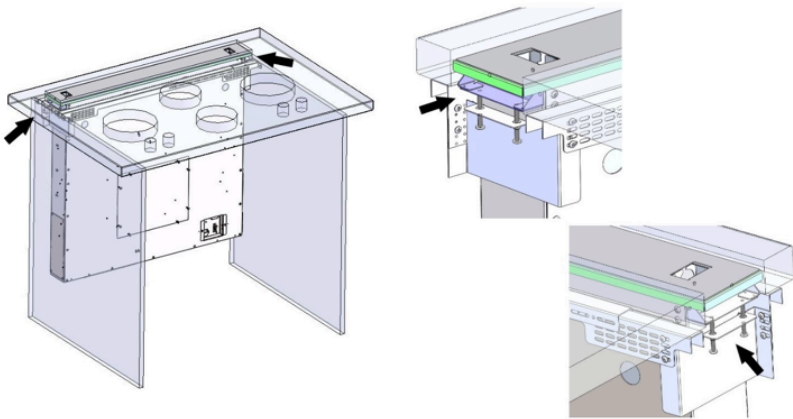


Fig. 15

Glue the part left over from the previous cut made on the worktop to the support supplied (fig. 16.1).

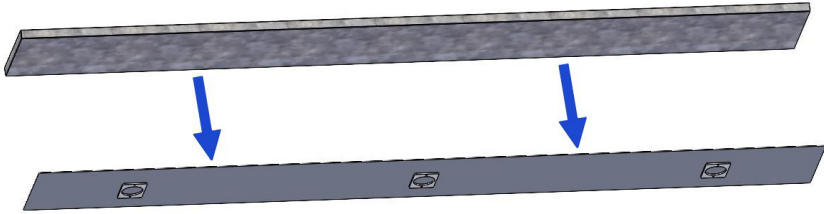


Fig. 16.1

To determine the correct line-up of the downdraft, place the part (glued in the previous step) inside the rectangular niche, making the magnets (G) coincide with the seat (H) and check that the two surfaces are perfectly at the same level (fig. 16.2).

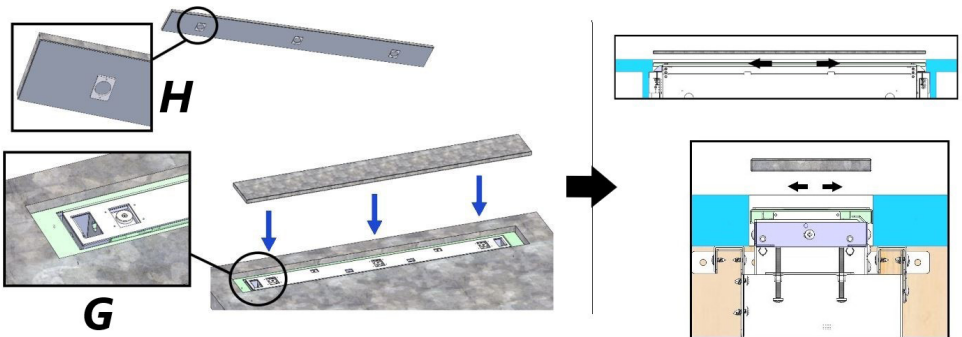


Fig. 16.2

If the downdraft is not aligned, act on the screws previously seen in fig. 15 until correct alignment is achieved.

Fasten the downdraft to the cabinet using the two brackets supplied (fig. 17).

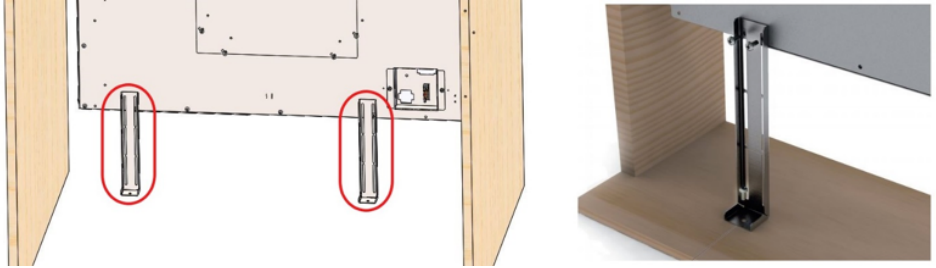


Fig. 17

Having verified the correct position and stability of the product, proceed to glue the additional surface on the top of the downdraft.

8. After completing the installation, fasten the push-button panel below the top immediately behind the cabinet doors (see fig.18A for central installation, fig.18B for lateral installation). Before fixing the push-button panel, check that the doors are actually closed.

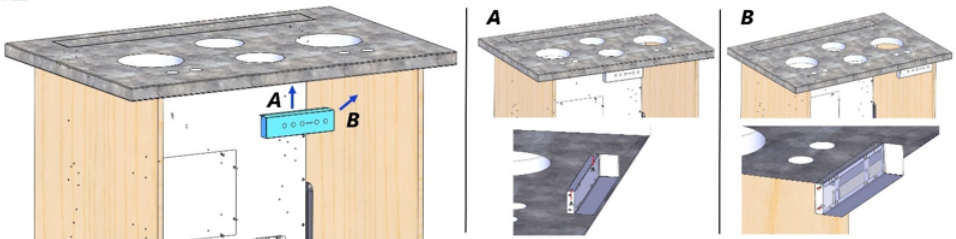


Fig. 18

Connect the button cable to the electrical system and immediately after the product to the power grid, lift the downdraft, remove the door lock and then open the door (fig. 19).



Fig. 19

Position the filters (fig. 20).

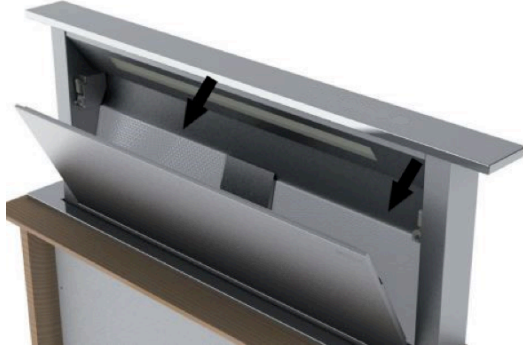


Fig. 20

In the version of the Downdraft equipped with internal motor, install the power unit orienting the air outlet to the desired position, either downwards or upwards (Fig. 21). The motor can be installed either on the front or rear side of the downdraft.

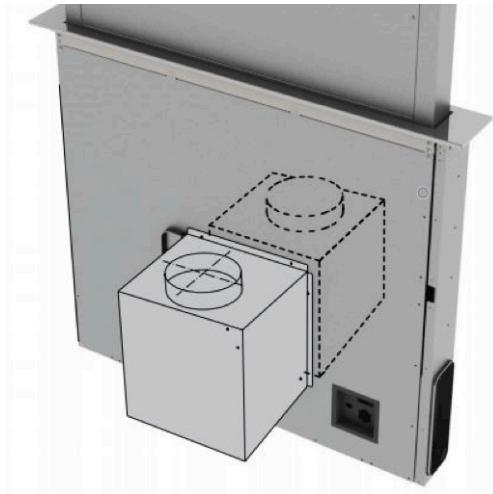


Fig. 21

After having installed the motor, connect the air ducts.

9. For versions with external motor, place the suctioning unit (external motor) in a suitable area and fit the exhaust air flue as illustrated. Then fit the air outlet ducts between the external motor and the down-draft. Select an air outlet from the five possibilities (Fig. 22) and fit the union supplied with the appliance.



Fig. 22

10. Place the metal box with the electronic components in an easily reachable area for eventual technical assistance operations. (Fig.23),

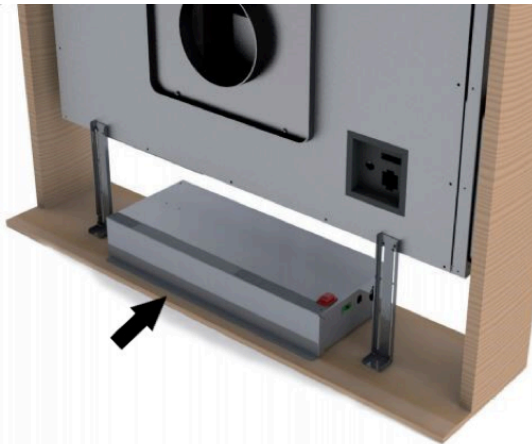


Fig. 23

connecting the three connectors (9 pole connector for the actuator control and the safety control, 4 pole connector for led lamp turn on and push-button connector) (Fig. 24).

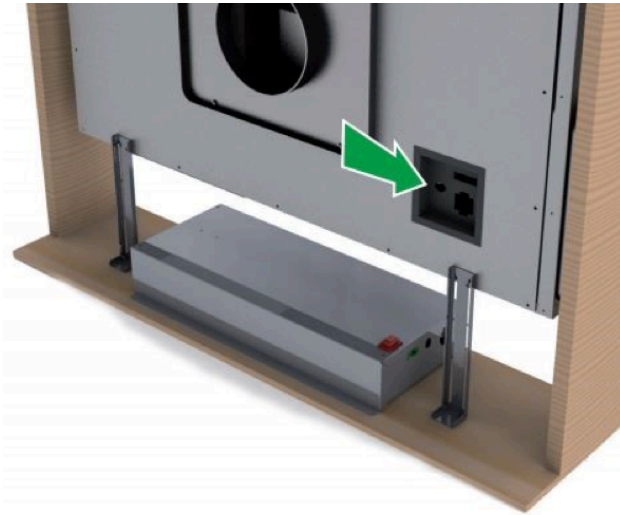


Fig. 24

11. Connect the internal motor or the external motor's cable to the terminal board found inside the plastic box of the downdraft wiring. Make sure to respect the colors of cables when performing the electrical connection (Fig. 25).

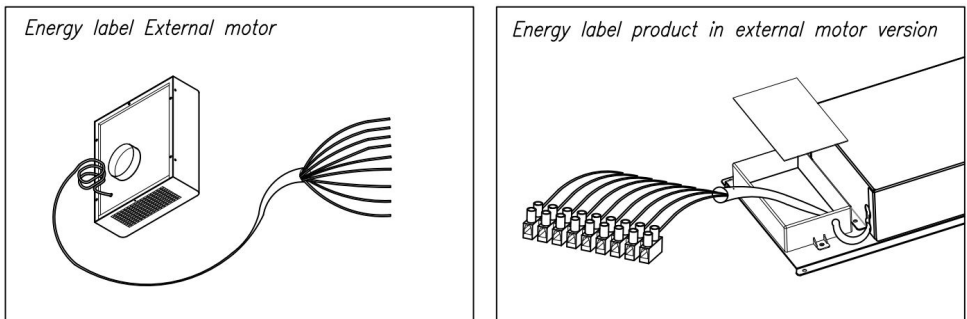


Fig. 25

12. Power the cookerhood.

HOW TO USE THE COOKER HOOD

This appliance is intended to suck cooking fumes, greases and steam. It has been designed to work in both suctioning mode, with outside evacuation, and filtering mode.

Outside - discharge version

The cooker hood can be mounted in the version with outside discharge of suctioned air: in this case it is necessary to connect the exhausting channel to the outside (exhausting pipes are not supplied with the products.)

Non-return valve blockage

WARNING

Before connecting the air exhaust hose, make sure that the non-return valves can rotate freely. (Fig.26)

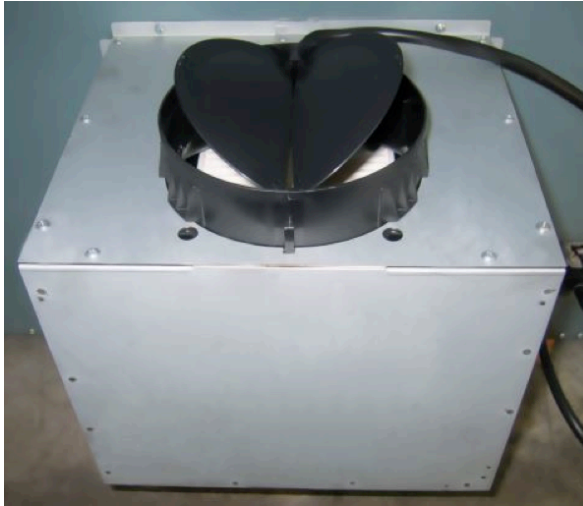


Fig. 26

In case of outside air discharge installation, fit a non-return valve to prevent wind and back air from entering.

Filtering mode

In case fumes and vapour cannot be evacuated outside, the appliance can be used in the filtering mode. Activated charcoal filters are required for this type of cooker hood. Air recycled through the charcoal filters is recirculated into the kitchen, thanks to a duct conveying the air on one side of the cabinet (Fig.27)



Fig. 27

CAUTION

Installation must comply with the regulations in force regarding the ventilation of enclosed environments. In particular, discharged air must not be conveyed into a duct used for fumes discharge or discharge from appliances using gas or other combustible materials. The use of discontinued ducts is not allowed without the approval of a qualified technician.

GREASE FILTER REMOVAL, MOUNTING THE ACTIVATED CHARCOAL FILTER

The removal and fitting of the grease and carbon filters need to be carried out with the downdraft in the open position. To open the downdraft, push the key. Then remove the front panel, pushing the upper part of each side at the same time. The panel will rotate forwards to make it possible to access the grease filters (Fig. 20). Remove the grease filters to access the carbon filters (Fig. 28). The replacement of the charcoal filters has to be carried out accordingly to the effective use of the Downdraft, and in any case at least once every 6 months.

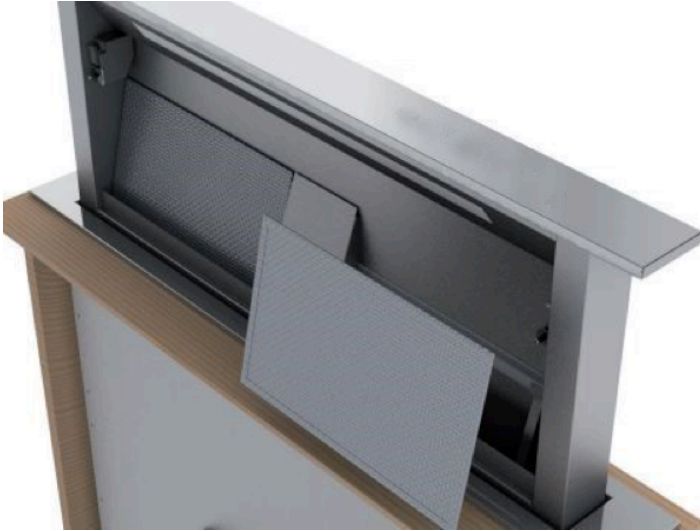


Fig. 28

WARNING

After having replaced the filters, reinstall the front stainless steel panel, otherwise the Downdraft is not enabled to function.

ELECTRICAL CONNECTION OF THE COOKER HOOD

WARNING

Place the metal box containing the electronic components at a distance of no less than 65 cm from gas-operated cook tops or in any case, 65 cm from the suctioning surface of the cookerhood.

NOTA

We recommend installing the metal box containing the electronic components at least 10 cm above floor level and at a suitable distance from all heat sources (e.g. oven sides or cook top).

CAUTION

This appliance is fitted with an H05 VVF 3 conductor, 0.75 mm² (neutral, phase, and ground) power cord. This can be connected up to a 220 - 240 V mono-phase electrical network through a CEI 60083 approved power socket, which must remain accessible after installation, in compliance with installation regulations. We decline any responsibility in case of accidents caused by a lack of ground connection or incorrect ground connection. The appliance must be fed through a differential protection device (RCD), with a nominal residual current not exceeding 30mA. If the power cord is damaged, call the after-sales service to avoid any risk.

WARNING

The downdraft connection to the electrical network must be carried out only by professional and qualified technicians. The downdraft must be connected to a properly installed and suitable electrical network. The electrical system must comply with VDE0100 standard.

DANGER

If the cooker hood presents any anomaly, disconnect the appliance or remove the fuse corresponding to the appliance power disconnecting line. If the appliance has no plug or if the plug is not easily accessible, then a device needs to be fitted to cut it off from the electric network; this device must have an opening distance between contacts on all poles of at least 3 mm.

ELECTRICAL CONNECTION

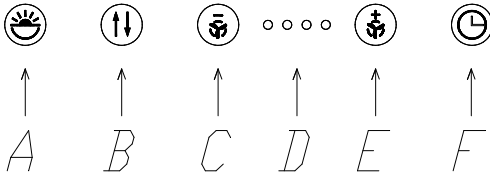
NOTA

This appliance complies with the European Directives 2006/95/EC (Low Voltage Directive) and 2004/108/EC (Electromagnetic Compatibility). While installing the appliance and carrying maintenance operation, make sure it is disconnected from the electrical network or the fuses are cut out or removed.

Check that:

- Power is enough.
- Feeder lines (mains) are in good conditions.
- The cables diameter complies with installation regulations.

HOW THE COOKER HOOD WORKS



A: Light ON/OFF key

The light switches on and off only when the carriage is fully OPEN. Pressing this button with the carriage closed will cause the carriage to open and then the light will switch on. The button also serves to switch off the light if it is on.

B: ON/OFF key

This starts the extraction carriage upward movement and when it is fully open, it sets the second extraction speed. With the carriage open: it switches off the motor and if on, the light; then it retracts the extraction carriage.

C: (-) Key

This reduces the speed of the extractor motor from the 4th speed until the motor switches off, without closing the pull-out carriage.

D: Indicators

- This signals the speed setting, by only the relevant LED switching on.
- This signals that all filters have been saturated by all LEDs switching on.

E: (+) Key

This increases the speed of the extractor motor, from 1st to 4th speed, without moving the extractor panel.

F: Timer

10 min after setting, it serves to stop the extractor motor, close the carriage and switch the lights off, if they are on. The set function is signalled by the flashing LEDs "D" for the set speed. The timer can be cancelled by pressing the key again.

IF THE PRODUCT WORKS WITH SUPPLIED REMOTE CONTROL

Remote control (Fig.11).

channel radio control for cooker hood remote.

At first ignition, keep pressed the lighting button for 5 seconds.

RC001

RADIO CONTROL

Radio control used for the remote operation of ducted cooker hoods.

TECHNICAL DATA

- Alkaline battery powered: 12 V mod. 27A
- Operating frequency: 433.92 Mhz
- Combinations: 32.768
- Max. consumption: 25 mA
- Operating temperature: -20 ÷ + 55 °C
- Dimensions: 130x45x15 mm.

OPERATING DESCRIPTION

The transmitter is equipped with 5 buttons for cooker hood management, as specified below:

- ☀ : Light ON/OFF command.
- ⏻ : Motor ON (speed level 1) / OFF command.
- : Reduce speed.
- ⊕ : Increase speed.
- ⌚ : 10-minute timer.

INITIAL OPERATING CONDITION

The manufacturer supplies the radio control unit ready to be used with codes preset in the Factory



OPERATION MODE

Standard configuration:

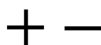
Standard configuration requires all "cooker hoods – radio control - system" to be provided with the same transmission code. In the event two cooker hoods – radio control system are installed in the same room or nearby, each system may affect the operation of the another. Therefore, the code of one radio control system must be changed.

Generating a new transmission code:

The radio control system is provided with preset codes. Should new codes be required, proceed as follows: Press simultaneously buttons:



for two seconds. When Leds light on, press buttons:




(within 5 seconds). Leds flashing 3 times indicate the procedure is completed.

WARNING! This operation deletes permanently the preset codes.

Learning the new transmission code:

Once the transmission code is changed in the radio control unit, the electronic central unit of the cooker hood must be made to set the new code in the following way:

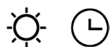
Press the main power-off button of the hood and then restore power to the electronic control unit. Within the next 15 seconds, press the Light Button  to synchronise the central unit with the code.

Reset of the Factory configuration:

To restore the Factory configuration, follow the procedure described below: press simultaneously buttons:



for 2 seconds. When Leds light on, press buttons:



(within 5 seconds). Leds flashing 6 times indicate the procedure is completed.

WARNING! This operation deletes permanently the preset codes.

Emergency button:

In the event that the radio control does not work, use the emergency button to switch the appliance off. After any necessary repairs have been performed, reset the emergency button.

WARNING

The battery should be replaced every year to guarantee the optimal range of the transmitter.

To replace the exhausted battery, take the plastic lid off, remove the battery and replace it with a new one, observing the correct battery polarities.

Used batteries should be discarded in special collection bins.

The below product:

RC001 Radio Control

complies with the specifications set out in the Directive RED 2014/53/EU.



Other functions:*Automatic turn off:*

After 4 hours of continuous working from the last setup, the appliance turns off and closes automatically.

Grease filters saturation:

After 30 hours of working, the speed indicators "D" will all flash simultaneously, signaling the grease filters saturation. To reset this alarm, hold down the "TIMER" button for at least 3 seconds, while the carriage is open.

Calibration:

The cooker-hood carries out its self-calibration every 3 complete cycles of its extractable unit. By pushing the "TIMER" key 6 times consecutively (MAX break between one push and the other is 3 sec.) all the leds will flash and the calibration will be reset.

After the next 3 cycles the downdraft will carry out its self-calibration.

Stand-by:

When the extractable unit is closed and the light is switched off, the control panel, after 6 seconds, activates the Stand-by function, reducing the brightness of the leds.

This function can be stopped by pressing ON/OFF or LIGHT key.

Security system:

If there is an obstacle while the extractable unit is closing, the Downdraft stops closing and rises again thanks to a security system.

WARNING

This operation has to be carried out by a specialized technician.

CLEANING THE COOKER HOOD

Careful maintenance ensures proper operation and good performances over time.



CAUTION



The hood must be disconnected from the electrical network, both by unplugging the appliance from the socket and activating the magnetic circuit breaker (safety cut-out), before removing the metal grease filters. After cleaning operations, replace the metal grease filters as outlined in the installation instructions.

MAINTENANCE	HOW TO PROCEED?	ACCESSORY PRODUCTS TO USE
External surfaces and accessories	Do not use metallic scrubbers, abrasive products, or hard brushes.	To clean the external surfaces of the cookerhood and the light housing screen use only commercially available household detergents diluted in water. Then rinse with clean water and dry with a soft cloth.
Active charcoal filter with extractable unit open	After 30 hours of operation, the downdraft will signal the grease filter saturation. The saturation is signaled by the blinking of the 4 central leds. To reset, hold down the timer button for at least 3 seconds, while the carriage is open.	The grease filters can be washed by hand or in the dishwasher. These filters need to be cleaned on a regular basis, because otherwise they may represent a fire risk. Refit the grease filters and front panel, making sure that the panis properly fitted at the sides so that it does not cause the downdraft to stop operating.
Active charcoal filter	In the recirculation mode, the active charcoal filter must be replaced periodically. To remove the charcoal filter first of all it is necessary to remove the grease filter and then pull the plastic key of the panel itself, in order to disengage it from its seating. Follow these steps in reverse order to insert the active charcoal filter. Replace the used charcoal filter on an average of every six months.	

OPERATIONAL ANOMALIES

PROBLEM	SOLUTION
The cooker hood does not work...	<p>Check that:</p> <ul style="list-style-type: none"> • There is not a power outage. • A specific speed has actually been selected. • The 9 pole connection is inserted properly. • The red reset key, found over the electrical system box, is pushed. • Make sure that the wires of the 9 pole connection are inserted properly in the connector itself (during the connection phase, an excessive pressure could bend the contacts).
The cooker hood has low performances...	<p>Check that:</p> <ul style="list-style-type: none"> • The motor speed selected is sufficient for the quantity of fumes and vapors present in the room. • The kitchen is ventilated well enough to allow air for intake. • The charcoal filter is not worn out.(filtering version cooker hood). • The air outlet channel is free and compliant with paragraph no. 2. • The non-return valves of the suctioning unit are free to rotate.
The cooker hood stops in the middle of operation.	<p>Check that:</p> <ul style="list-style-type: none"> • There is not a power outage. • The omnipolar device has not tripped.

AFTER SALES SERVICE

Any maintenance operation on your appliance should be carried out by:

- Either your retailer;
- Or another qualified professional technician, authorized for that brand.



When calling, please mention the appliance details (Type Fig. 29A and equipment Fig. 29B and production date Fig. 29C). This information is mentioned on the rating label and the production date one placed on the lower side of the downdraft.

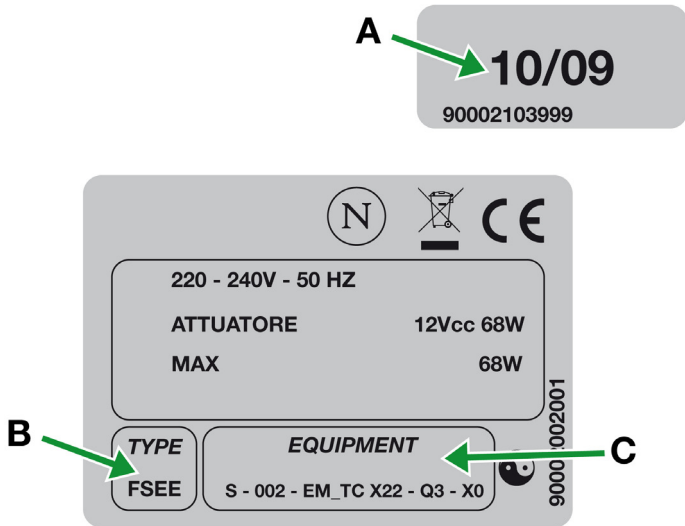


Fig. 29



The symbol on the product or on its packaging indicates that this product may not be treated as household waste. Instead it shall be handed over to the applicable collection point for the recycling of electrical and electronic equipment. By ensuring this product is disposed of correctly, you will help prevent potential negative consequences for the environment and human health, which could otherwise be caused by inappropriate waste handling of this product. For more detailed information about recycling of this product, please contact your local city office, your household waste disposal service or the shop where you purchased the product. This appliance is marked according to the European directive 2012/19/EC on waste electrical and electronic equipment (WEEE).



Three Year Limited Warranty

YOU MUST REGISTER THE PURCHASE OF YOUR PRODUCT ON LINE AT www.siriuscappe.com/usa/warranty.htm TO CONVALIDATE YOUR WARRANTY.

YOU CAN FIND THE DATA OF YOUR HOODS ON A LABEL INSIDE THE HOOD. JUST REMOVE THE GREASE FILTER TO READ IT.

WARRANTY SERVICE

To qualify for warranty service, you must notify Sirius After sale service at the email address stated below or call toll free USA 1-877-474-8770 and provide the model number, description of the fault or defect and original date of purchase. Sirius reserves the right to request proof of original purchase. Sirius will at its sole option and discretion replace products that arrive damaged through shipping, provided shipping damage is reported as stated above **WITHIN 5 BUSINESS DAYS OF RECEIPT** of the shipped product or products.

ONE YEAR SERVICE REPAIR WARRANTY:

During the first year from date of original purchase, Sirius will, at its option, repair or replace, without charge, any product or part which is found to be defective under normal use and service.

THREE YEAR PARTS WARRANTY:

For three years from date of purchase, Sirius will provide free of charge, non-consumable replacement parts which are found to be defective under normal use and service.

WHO IS COVERED:

Sirius warrants to the original consumer purchaser of its products that such products will be free from defects in materials and workmanship for a period of three years from the original date of purchase. There are no other warranties, express or implied, including, but not limited to, implied warranties of merchantability or fitness for a particular purpose or application.

WHAT IS NOT COVERED:

This warranty does not extend to filters, lamps, batteries, ducts and ductwork components. This warranty does not cover normal maintenance and service or products or parts which have been subject to misuse, negligence, accident, improper maintenance or repair, faulty installation or installation contrary to recommended installation instructions. The warranty on glass screens is limited to manufacturing defects only and expressly excludes cracks and breakages as a result of faulty installation. *Labor and associated costs associated directly with removal and re-installation are expressly excluded.*

The duration of any implied warranty is limited to the three year period as specified for the express warranty. Some states and provinces do not allow limitation on how long an implied warranty lasts, so the above limitation may not apply to you.

Sirius S.P.A.

Zona industriale Berbentina 6/A
60041 SASSOFERRATO (AN)
ITALY

Sirius after sale service

Telephone (toll free): 1-877-474-8770
Email: Sirius@adcoservice.com

