

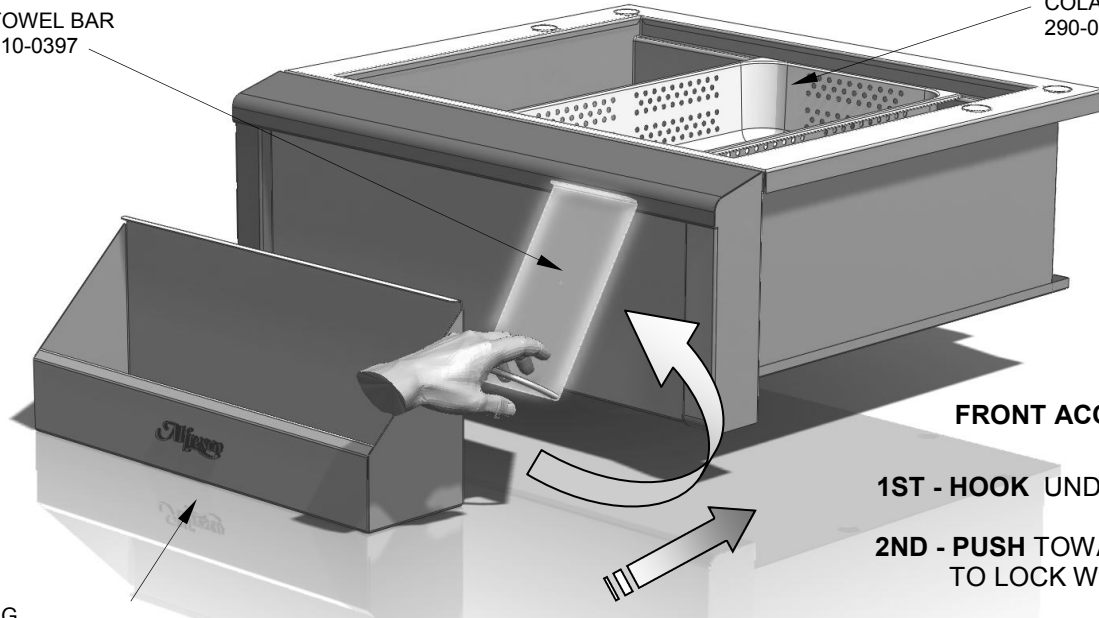
SINK PACKAGE - ACCESSORIES INSTALLATION



TOP ACCESSORIES
SIMPLY DROP INTO SINK AND LOCATE AS NEEDED

TOWEL BAR
510-0397

COLANDER
290-0243



FRONT ACCESSORIES

- 1ST - HOOK** UNDER TOP CAP LIP
- 2ND - PUSH** TOWARDS FRONT PLATE TO LOCK WITH MAGNET

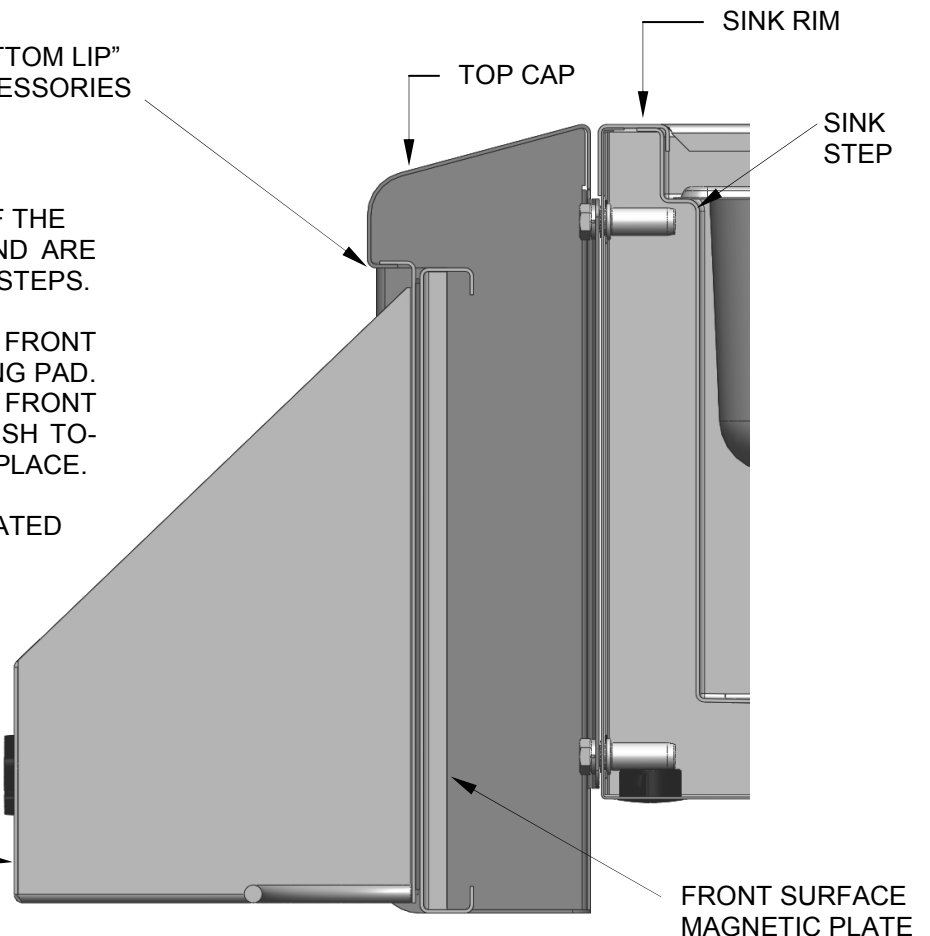
SPR-LRG
(LARGE SPEED RAIL)
510-0367

TOP CAP "BOTTOM LIP"
TO REST ACCESSORIES

ACCESSORIES THAT MOUNT ON TOP OF THE UNIT SIMPLY DROP INTO THE SINK AND ARE SUPPORTED BY THE SINK RIM OR SINK STEPS.

ACCESSORIES THAT MOUNT ON THE FRONT OF THE UNIT HAVE A MAGNETIC BACKING PAD. HOOK THE ACCESSORY UNDER THE FRONT TOP CAP "LIP" FOR SUPPORT AND PUSH TOWARDS THE FRONT PLATE TO LOCK IN PLACE.

ALL FRONT ACCESSORIES CAN BE LOCATED AS DESIRED.



TYPICAL ACCESSORY
IE: SPEED RAIL

FRONT SURFACE
MAGNETIC PLATE