

# 24" Panel Ready Dishwasher

800 Plus Series



**SHV9PT53UC**  
Stainless steel

## General Properties

Number of wash cycles	5
Number of wash cycles	6
Third Rack	3rd Rack 2.0
Tub material	Stainless steel
Concealed heating element	Yes
Leak protection system	24/7 Aqua Stop Plus
Water softener	Yes
Five-level wash	Yes

## Efficiency

Water Usage per Cycle	2.2
Energy Efficiency Class	Tier 1
Energy Star® qualified	Yes
Total annual energy consumption (kWh)	239
Total annual water consumption (g)	624

## Capacity

Number of place settings	14
--------------------------	----

## Technical Data

Watts (W)	1300
Current (A)	12
Volts (V)	120
Frequency (Hz)	60
Power Cord Length (in)	63"
Minimum Water Pressure (lb/sin)	7.0
Length inlet hose (in)	55"
Length outlet hose (in)	63 "

## Dimensions & Weight

Overall appliance dimensions (HxWxD) (in)	34 1/8 " x 23 9/16 " x 21 5/8 "
Required cutout size (HxWxD) (in)	34 1/8 " x 24 " x 24 "
Adjustable feet	Yes
Net weight (lbs)	113

## Accessories

**Expandable wings on our flexible 3rd rack provide extra height to fit ramekins, measuring cups and extra-large utensils.**

### Features & Benefits

39 dBA: Quietest dishwasher brand.

A flexible 3rd rack with folding tines adds 30% more loading capacity.

A clean white light illuminates the interior when the door is open.

Water softener ensures optimally spot-free and shiny dishes.

AquaStop® Plus 4-Part leak protection prevents water damage 24/7.



**SGZ1010UC**  
Dishwasher Drain  
Hose Extension



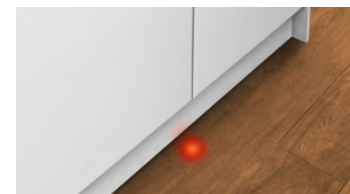
**SGZ9091UC**  
Dishwasher Water  
Softener Salt



**SMZ5000**  
Dishwasher  
Accessory Kit



**SMZ5002**  
SMZ5002



**1For help and assistance with Bosch accessories please visit: [www.bosch-eshop.com/eshop/bosch/us](http://www.bosch-eshop.com/eshop/bosch/us) or call 1-800-944-2904 Mon-Fri 5am to 6pm PST Sat 6am to 3pm PST**

Notes: All height, width and depth dimensions are shown in inches. Please refer to installation instructions prior to making cutout. BSH reserves the absolute and unrestricted right to change product materials and specifications, at any time, without notice. Consult the product's installation instructions for final dimensional data and other details. Applicable product warranty can be found in accompanying product literature or you may contact your account manager for further details.

Warranties: Limited warranty, entire appliance, parts and labor (1 year); Limited warranty for microprocessor or printed circuit board; parts only (2nd to 5th year); Limited warranty for racks (does not include rack components); parts only (2nd to 5th year); Limited warranty for rust-through on inner tub liner; parts only (lifetime)

**For more information on our entire line of products, go to [www.bosch-home.com/us](http://www.bosch-home.com/us) or call 1-800-944-2904**

Copyright ©2013 BSH Home Appliances Corporation. All rights reserved. Bosch is a registered trademark of Robert Bosch GmbH.

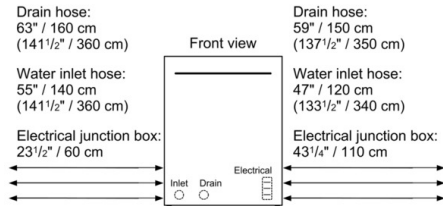
12-BOS-0129 KC 2/13

# 24" Panel Ready Dishwasher

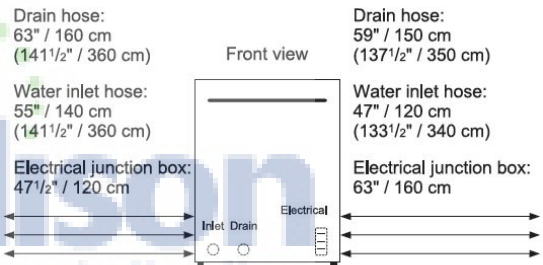
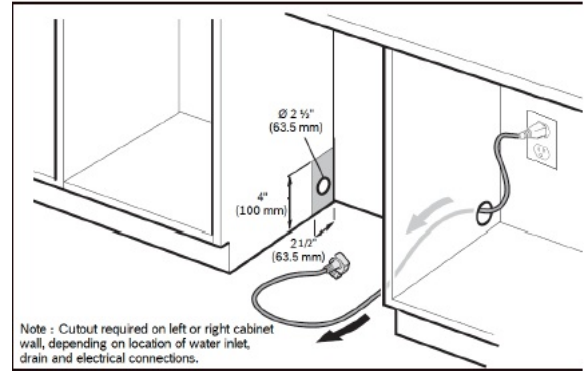
800 Plus Series



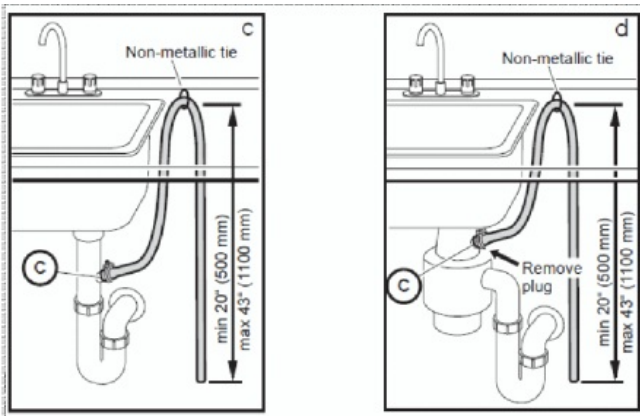
## Installation Details



All connections in the rear of the appliance.  
( ) values with extension kit.



All connections at the rear of the appliance.  
( ) Accessory extension for drain hose available.  
Accessory power cord for electrical outlet (3 pin plug) available.



Note: Plumbing installations will vary - refer to local codes. Drain hose included is 92" (234 cm) and can be extended to a maximum of 150" (381cm). Ensure a portion of the drain hose is raised at least 20" (51 cm) [max. 43" (109cm)] above the floor.

Notes: All height, width and depth dimensions are shown in inches. Please refer to installation instructions prior to making cutout. BSH reserves the absolute and unrestricted right to change product materials and specifications, at any time, without notice. Consult the product's installation instructions for final dimensional data and other details. Applicable product warranty can be found in accompanying product literature or you may contact your account manager for further details.

Warranties: Limited warranty, entire appliance, parts and labor (1 year); Limited warranty for microprocessor or printed circuit board; parts only (2nd to 5th year); Limited warranty for racks (does not include rack components); parts only (2nd to 5th year); Limited warranty for rust-through on inner tub liner; parts only (lifetime)

For more information on our entire line of products, go to [www.bosch-home.com/us](http://www.bosch-home.com/us) or call 1-800-944-2904

Copyright ©2013 BSH Home Appliances Corporation. All rights reserved. Bosch is a registered trademark of Robert Bosch GmbH.

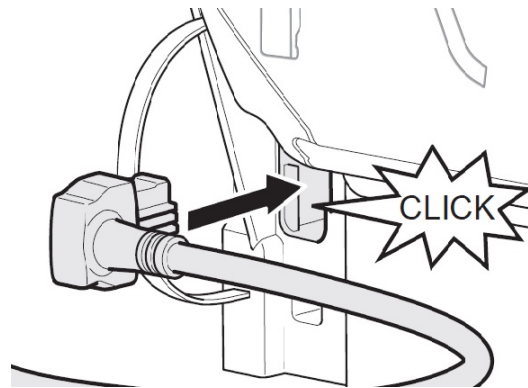
# 24" Panel Ready Dishwasher

800 Plus Series

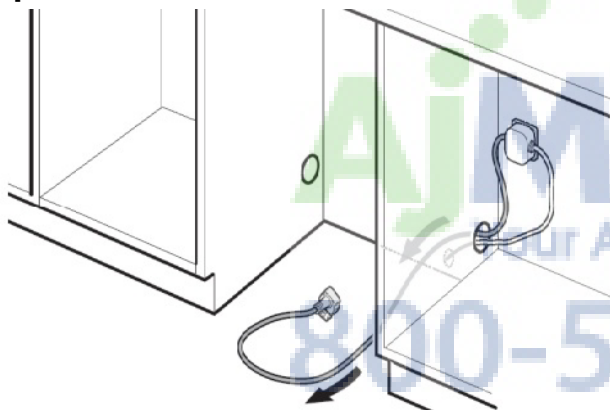


## Installation Details

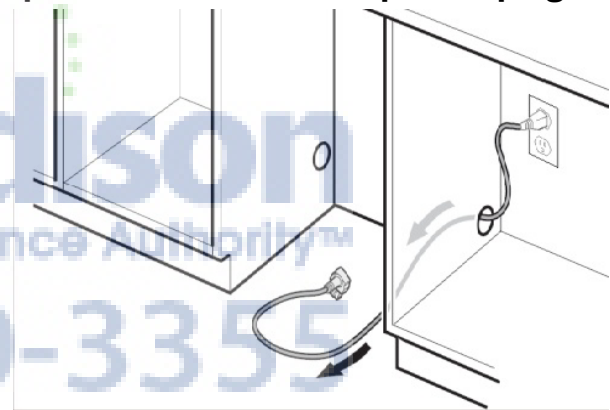
Bosch dishwashers (300, 500, 800 series) now have a new electrical installation process. A proprietary connector to plug into the dishwasher in the rear.



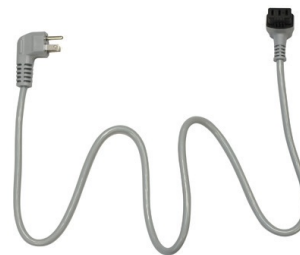
### Option 1: Hardwire



### Option 2: Electrical receptacle—plug



Power cord with junction box included with appliance.



Use the Bosch Power Cord Kit SMZPC002UC for easy connection to electrical receptacle. (Only UL listed cord for the 300, 500 800 series dishwashers)

Accessory should be stocked and readily available for purchase to avoid any improper installation applications which could void the manufacturers warranty.

Notes: All height, width and depth dimensions are shown in inches. Please refer to installation instructions prior to making cutout. BSH reserves the absolute and unrestricted right to change product materials and specifications, at any time, without notice. Consult the product's installation instructions for final dimensional data and other details. Applicable product warranty can be found in accompanying product literature or you may contact your account manager for further details.

Warranties: Limited warranty, entire appliance, parts and labor (1 year); Limited warranty for microprocessor or printed circuit board; parts only (2nd to 5th year); Limited warranty for racks (does not include rack components); parts only (2nd to 5th year); Limited warranty for rust-through on inner tub liner; parts only (lifetime)

For more information on our entire line of products, go to [www.bosch-home.com/us](http://www.bosch-home.com/us) or call 1-800-944-2904

Copyright ©2013 BSH Home Appliances Corporation. All rights reserved. Bosch is a registered trademark of Robert Bosch GmbH.

12-BOS-0129 KC 2/13