

24" Recessed Handle Dishwasher

800 Plus Series- Black

SHE7PT56UC



Features and Benefits

Key Features

- 42 dBA- Quietest Brand
- Flexible 3rd Rack with Adjustable Separators Provides Additional Loading Capacity
- Touch Control Technology
- Water Softener Ensures Perfect Shine
- AquaStop® Leak Protection Works 24/7

Design

- Full Size Stainless Steel Tall Tub Installs Perfectly Flush
- Flexible 3rd Rack with Adjustable Separators Provides Additional Loading Capacity
- 16 Place Setting Capacity
- LED Remaining Time Display
- Touch Control Technology
- RackMatic™ on Upper Rack - 3 Height Adjustments and Up to 9 Possible Rack Positions
- Flexible Silverware Basket Can be Split into Two Pieces and Placed Anywhere for Added Flexibility
- Extra Tall Item Sprinkler Cleans Items 22" Tall

Performance

- 42 dBA- Quietest Brand
- 6 Programs and 5 Options
- Detergent Tray Optimizes Detergent Dissolving
- Load Size Sensor Automates Wash Temperature
- Water Softener Ensures Perfect Shine
- Sanitize Option Eliminates Bacteria and Enhances Drying Results



Notes: All height, width and depth dimensions are shown in inches. *Please refer to installation instructions prior to making cutout. BSH reserves the absolute and unrestricted right to change product materials and specifications, at any time, without notice. Consult the product's installation instructions for final dimensional data and other details. Applicable product warranty can be found in a accompanying product literature or you may contact your account manager for further details.

For more information on our entire line of products, go to boschappliances.com or call 1-800-944-2904.
Copyright ©2013 BSH Home Appliances Corporation. All rights reserved. Bosch is a registered trademark of Robert Bosch GmbH.

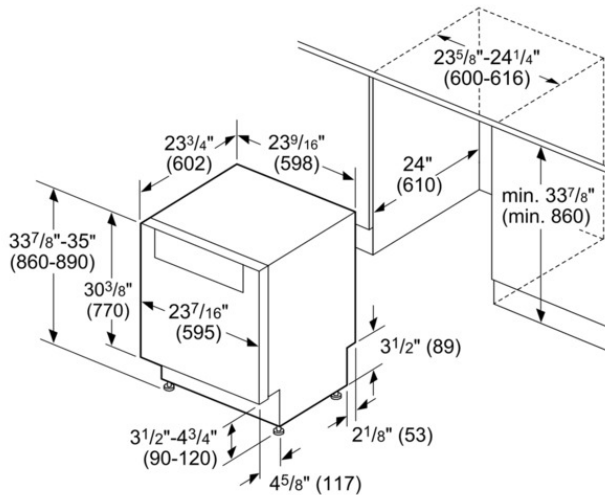
Litho Date: 05/2013



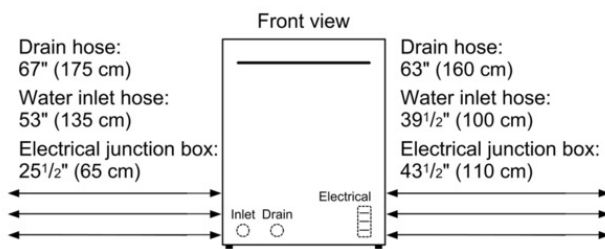
24" Recessed Handle Dishwasher

800 Plus Series- Black

SHE7PT56UC



measurements in inches (mm)



All connections at the rear of the appliance.
 Extensions for drain hose available as accessory.
 Electrical cable for outlet connection (3 pin plug) available as accessory.

Features

Leak Protection System	
ChildLock	Yes
Water softener	Yes
Upper Rack	
Adjustable upper rack	Rackmatic 3-stage
Upper rack cup shelf	2
Lower Rack	
Lower rack cup shelf	
3rd Rack	3rd Rack 2.0
Silverware basket	Standard
Optional accessories	SGZ1010UC, SGZ9091UC, SMZ5002UC, SMZPC002UC

Technical Specification

UPC code	825225904984
Panel ready	No
Alternative colors available	
Silence level (dBA)	42
Watts (W)	1300
Current (A)	12
Volts (V)	120
Frequency (Hz)	60
Energy Consumption (kWh/yr)	259
Energy Star® qualified	Yes
NSF certified	Yes
Plug type	Fixed connection
Power cord length (in)	43 1/2"
Length outlet hose (in)	67 "
Length inlet hose (in)	53"
Required cutout size (HxWxD) (in)	33 7/8 " x 23 5/8 " x 24 "
Product packaging dimensions (HxWxD) (in)	35 3/4" x 26" x 29 5/16"
Net weight (lbs)	95
Gross weight (lbs)	106
Adjustable feet	Yes
Tube material	Stainless steel
Tube type	TallTube
ADA Compliant	No
Number of place settings	15

Notes: All height, width and depth dimensions are shown in inches. *Please refer to installation instructions prior to making cutout. BSH reserves the absolute and unrestricted right to change product materials and specifications, at any time, without notice. Consult the product's installation instructions for final dimensional data and other details. Applicable product warranty can be found in a accompanying product literature or you may contact your account manager for further details.

For more information on our entire line of products, go to boschappliances.com or call 1-800-944-2904.
 Copyright ©2013 BSH Home Appliances Corporation. All rights reserved. Bosch is a registered trademark of Robert Bosch GmbH.

Litho Date: 05/2013

