

# 24" Recessed Handle Dishwasher

## 300 Series- White

### SHE53T52UC



## Features and Benefits

### Key Features

- 46 dBA- Quietest Brand
- Detergent Tray Optimizes Detergent Dissolving
- AquaStop® Leak Protection Works 24/7
- Self-Latching Door

### Design

- Full Size Stainless Steel Tall Tub Installs Perfectly Flush
- 15 Place Setting Capacity
- LED Remaining Time Display
- Manual Height Adjustment for Upper Rack

### Performance

- 46 dBA- Quietest Brand
- 4 Programs and 4 Options
- Detergent Tray Optimizes Detergent Dissolving
- Load Size Sensor Automates Wash Temperature
- Sanitize Option Eliminates Bacteria and Enhances Drying Results
- ExtraShine™ Option Enhances Shine and Drying Results of your Dishes

### Efficiency

- 259 kwh/yr - Energy Star®

### Convenience

- 24 h Delay Start Timer
- AquaStop® Leak Protection Works 24/7
- Self-Latching Door



Notes: All height, width and depth dimensions are shown in inches. \*Please refer to installation instructions prior to making cutout. BSH reserves the absolute and unrestricted right to change product materials and specifications, at any time, without notice. Consult the product's installation instructions for final dimensional data and other details. Applicable product warranty can be found in a accompanying product literature or you may contact your account manager for further details.

For more information on our entire line of products, go to [boschappliances.com](http://boschappliances.com) or call 1-800-944-2904.

Copyright ©2013 BSH Home Appliances Corporation. All rights reserved. Bosch is a registered trademark of Robert Bosch GmbH.

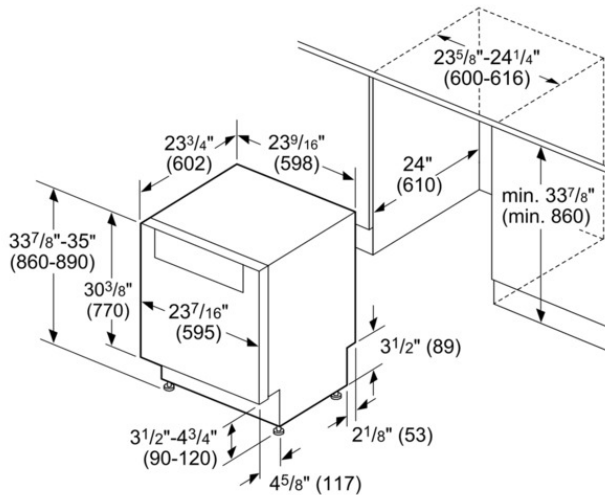
Litho Date: 05/2013



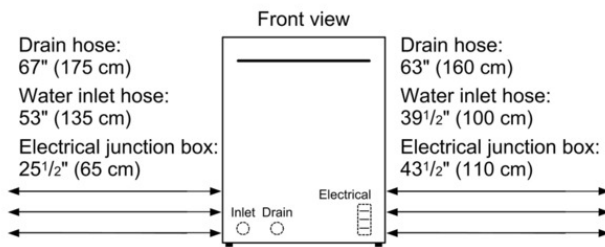
# 24" Recessed Handle Dishwasher

## 300 Series- White

### SHE53T52UC



measurements in inches (mm)



All connections at the rear of the appliance.  
 Extensions for drain hose available as accessory.  
 Electrical cable for outlet connection (3 pin plug) available as accessory.

### Features

Leak Protection System	
ChildLock	Yes
Water softener	No
Upper Rack	
Adjustable upper rack	Single
Upper rack cup shelf	2
Lower Rack	
Lower rack cup shelf	
3rd Rack	no
Silverware basket	Standard
Optional accessories	SGZ1010UC, SMZ4000UC, SMZ5002UC, SMZPC002UC

### Technical Specification

UPC code	825225903970
Panel ready	No
Alternative colors available	
Silence level (dBA)	46
Watts (W)	1300
Current (A)	12
Volts (V)	120
Frequency (Hz)	60
Energy Consumption (kWh/yr)	259
Energy Star® qualified	Yes
NSF certified	Yes
Plug type	Fixed connection
Power cord length (in)	43 1/2"
Length outlet hose (in)	67 "
Length inlet hose (in)	53"
Required cutout size (HxWxD) (in)	33 7/8 " x 23 5/8 " x 24 "
Product packaging dimensions (HxWxD) (in)	35 3/4" x 26" x 29 5/16"
Net weight (lbs)	85
Gross weight (lbs)	94
Adjustable feet	Yes
Tube material	Stainless steel
Tube type	TallTube
ADA Compliant	No
Number of place settings	15

Notes: All height, width and depth dimensions are shown in inches. \*Please refer to installation instructions prior to making cutout. BSH reserves the absolute and unrestricted right to change product materials and specifications, at any time, without notice. Consult the product's installation instructions for final dimensional data and other details. Applicable product warranty can be found in a accompanying product literature or you may contact your account manager for further details.

For more information on our entire line of products, go to [boschappliances.com](http://boschappliances.com) or call 1-800-944-2904.  
 Copyright ©2013 BSH Home Appliances Corporation. All rights reserved. Bosch is a registered trademark of Robert Bosch GmbH.

Litho Date: 05/2013

