

SHARP

Simply Better Living

24" Wall Mount Chimney Range Hood

SHC2432FS**350
CFM****24"
SIZE****3-Speed Stainless Steel Hood****350CFM for Fast Ventilation****Premium LED Task Lighting****15-Minute Delay Off Timer****Option to Convert to Ductless Venting****Dishwasher-Safe Mesh Grease Filters**

SPECIFICATIONS

DESIGN

Size	24"
Finish	Stainless Steel
Controls	Capacitive Touch Control

FEATURES

Speed Levels	3 Levels
Fan Speeds (CFM)	130 / 220 / 350
Boost Mode	—
Sones	1.5 - 8.5
Delay Off	Yes, 15 Minutes
Lighting	2 LED Lights 450 lux, 3200K
Lighting Levels	HI / LOW / OFF
Grease Filters	2 Dishwasher Safe Aluminum Filters
Duct Size	6" Round
Ductless Option	Yes, Requires Non-Duct Kit
CFM Adjustable Platform (CAP)	—

SPECIFICATIONS

Accommodates Ceiling Height	8'-9" (9'-10" with Extension Flue)
Agency Certification	ETL
HVI Certification	Yes
Energy Star Certified	—
AC Power	2.0A, 120V, 60Hz

OPTIONAL ACCESSORIES

Product Name	Non-Ducted Kit
Model	SKCH32DLK
UPC	074000621428

Product Name	Charcoal Filters
Model	SKCH32CFL
UPC	074000621435

Product Name	Extension Flue
Model	SKCH62EXF
UPC	074000621411

DIMENSIONS & WEIGHT (in./lbs.) (w x h x d)

Product Dimensions	23-9/16" x 25-3/8" x 19-11/16"
Shipping Dimensions	28-13/16" x 24-27/32" x 13-15/16"
Product Weight / Shipping Weight	23.15 lbs. / 31 lbs.

WARRANTY/UPC

Parts	1 year
Labor	1 year
UPC	074000621350



HVI-2100 CERTIFIED RATINGS comply with new testing technologies and procedures prescribed by the Home Ventilating Institute, for off-the-shelf products, as they are available to consumers. Product performance is rated at 0.1 and 0.25 in. static pressure at high speed based on tests conducted in an HVI-approved state-of-the-art test laboratory. Sones are a measure of humanly-perceived loudness, based on laboratory measurements.

SHARP ELECTRONICS CORPORATION
100 Paragon Drive, Montvale NJ, 07645
1.800.237.4277 • www.sharpusa.com

SHARP

Be Original.



Simply Better Living

350 CFM

24" SIZE

24" Wall Mount Chimney Range Hood

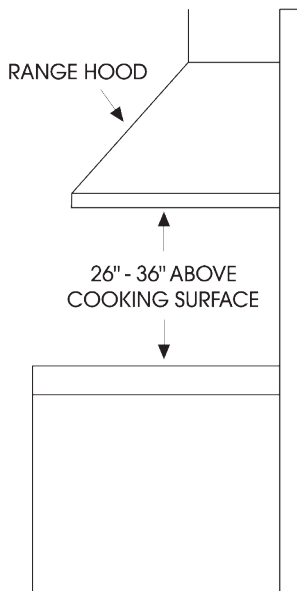
SHC2432FS

HVI PERFORMANCE

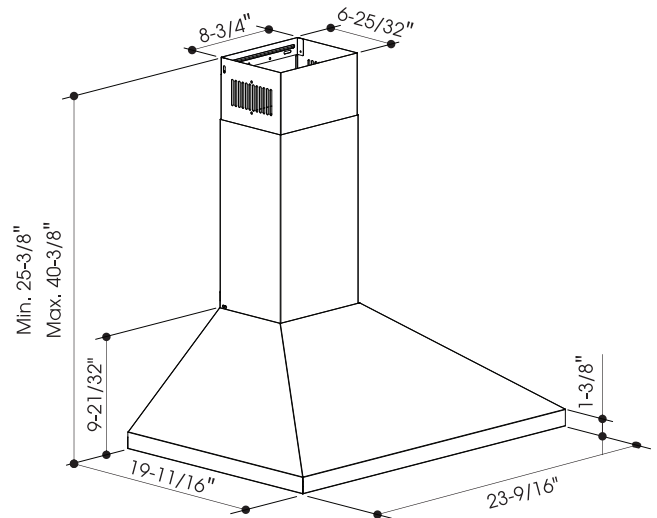
Duct Orientation	Size	Damper	Sones		CFM		
			Normal	High	Normal	High 0.25 in.w.g.	High 0.1 in.w.g.
Round Vertical	6 in.	Included	1.5	8.5	130	335	350

The following are measurements only. Do not use to install the wall mount chimney range hood. For detailed installation instructions, please refer to the installation manual.

WALL MOUNT CHIMNEY RANGE HOOD PLACEMENT GUIDE



24" WALL MOUNT CHIMNEY RANGE HOOD PRODUCT DIMENSIONS



Illustrations are intended for reference only. Product specifications and design are subject to change without notice.

© 2020 Sharp Electronics Corporation. All rights reserved.

Sharp and all related trademarks are trademarks or registered trademarks of Sharp Corporation and/or its affiliated companies. All other trademarks are property of their respective owners.

QUESTIONS?

1.800.BE.SHARP

SIMPLY BETTER LIVING

At Sharp Home Electronics Company of America, we are committed to Simply Better Living. Our innovative home appliance products are SIMPLE to use, BETTER than the competition, and encourage a HEALTHY LIFESTYLE.

SHARP ELECTRONICS CORPORATION
100 Paragon Drive, Montvale NJ, 07645
1.800.237.4277 • www.sharpsusa.com



Be Original.