

# 24" Custom Panel Special Application

## Stainless steel

### SGV63E03UC



#### Features and Benefits

##### Key Features

- 49 dBA- Quietest Brand
- InfoLight® Beams on Floor to Indicate Dishwasher is Running
- Water Softener Ensures Perfect Cleaning Results
- AquaStop® Leak Protection Works 24/7

##### Design

- Full Size Stainless Steel Tall Tub Installs Perfectly Flush
- 14 Place Setting Capacity
- LED Remaining Time Display
- Manual Height Adjustment for Upper Rack
- Flexible Silverware Basket Can be Split into Two Pieces and Placed Anywhere for Added Flexibility
- Extra Tall Item Sprinkler Cleans Items 22" Tall

##### Performance

- 49 dBA- Quietest Brand
- 6 Programs and 5 Options
- Detergent Tray Optimizes Detergent Dissolving
- Load Size Sensor Automates Wash Temperature
- Water Softener Ensures Perfect Shine
- Sanitize Option Eliminates Bacteria and Enhances Drying Results

##### Efficiency

- 239 kWh /yr - Energy Star®
- EcoOption Saves Energy
- Half Load Option for Small Loads

##### Convenience



Notes: All height, width and depth dimensions are shown in inches. \*Please refer to installation instructions prior to making cutout. BSH reserves the absolute and unrestricted right to change product materials and specifications, at any time, without notice. Consult the product's installation instructions for final dimensional data and other details. Applicable product warranty can be found in a accompanying product literature or you may contact your account manager for further details.

For more information on our entire line of products, go to [boschappliances.com](http://boschappliances.com) or call 1-800-944-2904.

Copyright ©2013 BSH Home Appliances Corporation. All rights reserved. Bosch is a registered trademark of Robert Bosch GmbH.

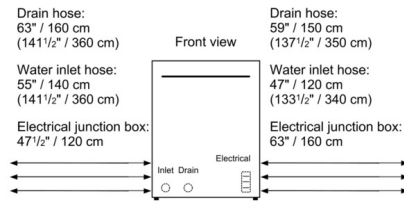
Litho Date: 05/2013



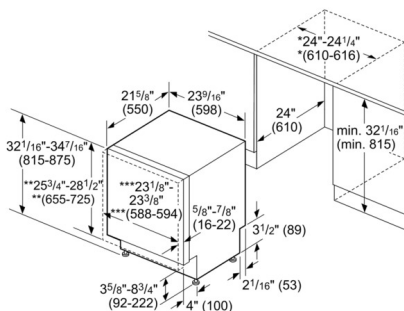
# 24" Custom Panel Special Application

## Stainless steel

### SGV63E03UC

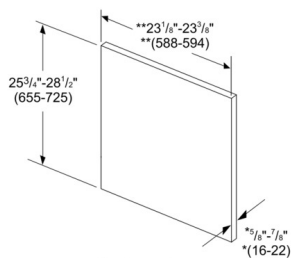


All connections in the rear of the appliance.  
( ) values with extension kit.



- \* 23 5/8" (600 mm) without decor strips
- \*\* measured from the bottom edge of the countertop panel thickness recommended 3/4" (20 mm), panel weight 9-18 lb (4-8 kg)
- \*\*\* 24" (610 mm) wide panel may be used depending on cabinet design

measurements in inches (mm)



- \* thickness recommended 3/4" (20 mm), panel weight 9-18 lb (4-8 kg)
- \*\* 24" (610 mm) wide panel may be used depending on cabinet design

measurements in inches (mm)

## Features

Leak Protection System	24/7 Aqua Stop Plus
ChildLock	No
Water softener	Yes
Upper Rack	low
Adjustable upper rack	Single
Upper rack cup shelf	2
Lower Rack	low
Lower rack cup shelf	
3rd Rack	no
Silverware basket	Standard
Optional accessories	SGZ1010, SGZPC001UC, SMZ2014, SMZ5000, SMZ5002, SMZ5100

## Technical Specification

UPC code	825225904946
Panel ready	Yes
Alternative colors available	SGE63E05UC, SGE63E06UC
Silence level (dBA)	49
Watts (W)	1300
Current (A)	12
Volts (V)	120
Frequency (Hz)	60
Energy Consumption (kWh/yr)	234
Energy Star® qualified	Yes
NSF certified	No
Plug type	120V-3 prong
Power cord length (in)	47 1/4"
Length outlet hose (in)	63 "
Length inlet hose (in)	55"
Required cutout size (HxWxD) (in)	32 1/16 " x 24 " x 24 "
Product packaging dimensions (HxWxD) (in)	34 7/16" x 26" x 26 3/4"
Net weight (lbs)	82
Gross weight (lbs)	87
Adjustable feet	Yes
Tub material	Stainless steel
Tub type	EuroTub/ADA
ADA Compliant	Yes
Number of place settings	14

Notes: All height, width and depth dimensions are shown in inches. \*Please refer to installation instructions prior to making cutout. BSH reserves the absolute and unrestricted right to change product materials and specifications, at any time, without notice. Consult the product's installation instructions for final dimensional data and other details. Applicable product warranty can be found in a accompanying product literature or you may contact your account manager for further details.

For more information on our entire line of products, go to [boschappliances.com](http://boschappliances.com) or call 1-800-944-2904.

Copyright ©2013 BSH Home Appliances Corporation. All rights reserved. Bosch is a registered trademark of Robert Bosch GmbH.

Litho Date: 05/2013

