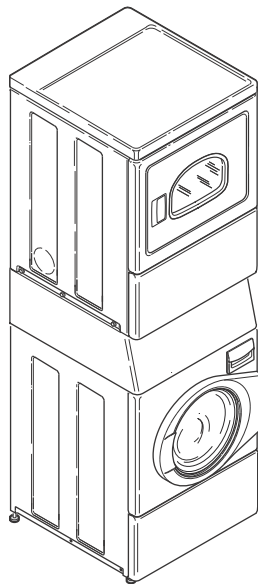


Home Stack Washer/Dryers

Refer to Page 3 for Model Numbers



SWD456C_806093

Parts

Table of Contents

Title	Page
Parts Ordering Information.....	2
Serial Plate Location	2
Model Identification	3
Control Cabinet and Controls.....	4
Front Panel, Door Assembly and Door Seal	6
Dispenser Assembly	8
Mixing Valve, Fill Hose and Valve-to-Dispenser Hose.....	10
Outer Tub, Front and Clamp Ring.....	12
Inner Basket, Trunnion, Bearing Housing and Pulley	14
Motor and Belt.....	16
Drain Hose and Pump.....	18
Base, Side Panels and Rear Panel.....	20
Special Tools	22
Washer Lead-In Cord, Wire Ties and Harness Clips	24
Dryer Loading Door.....	26
Access Panel, Front Panel and Seal	28
Motor, Exhaust Fan and Belt	30
Front Bulkhead, Air Duct, Felt Seal and Cylinder	32
Rear Bulkhead, Felt Seal, Cylinder Roller and Terminal Block.....	34
Heater Duct and Element Assembly	36
Heater Duct Assembly	38
Gas Valve, Igniter and Gas Conversion Kits.....	40
Burner Orifice Spuds - For Higher Elevations	42
Dryer Cabinet, Exhaust Duct and Base	44
Dryer Lead-In Cord	46
Dryer Terminals and Terminal Extractor Tools	48
Dryer Labels.....	50
Washer Labels	52
Shipping Materials	54
Wire Harnesses and Wires	56
Parts Index.....	59

© Copyright 2017, Alliance Laundry Systems LLC

All rights reserved. No part of the contents of this book may be reproduced or transmitted in any form or by any means without the expressed written consent of the publisher.

Parts Ordering Information

If literature or replacement parts are required, contact the source from whom the machine was purchased or contact Alliance Laundry Systems at (920) 748-3950 for the name and address of the nearest authorized parts distributor.

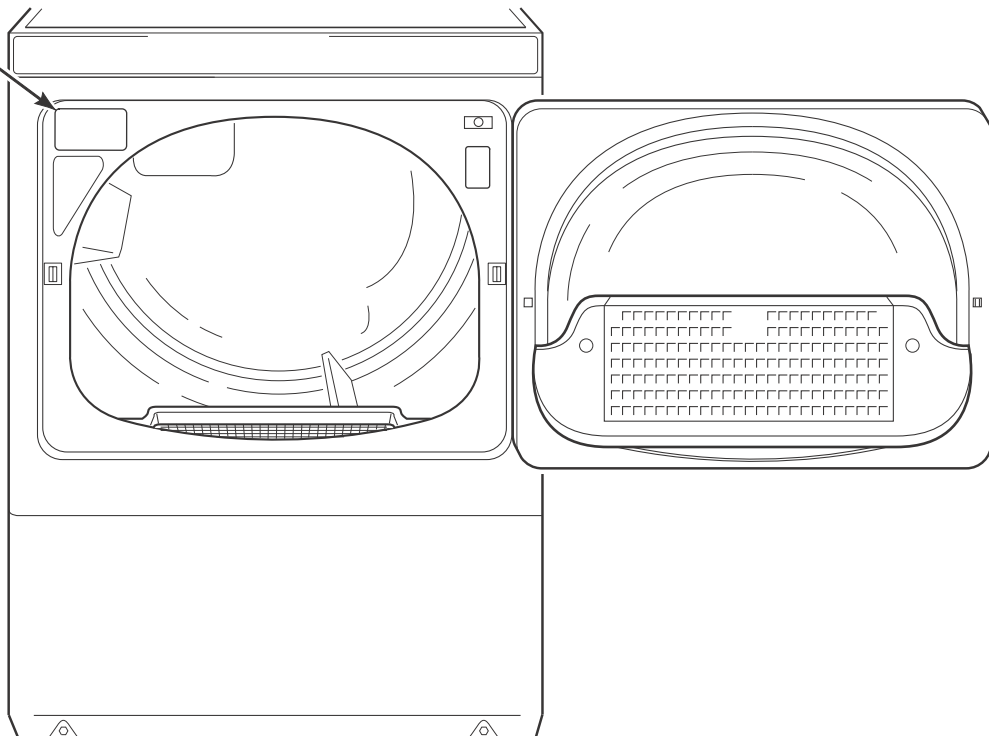
For technical assistance, call the number listed below:

(920) 748-3121 Ripon, Wisconsin

Serial Plate Location

When calling or writing about your product, be sure to mention model and serial numbers. Model and serial numbers are located on serial plate(s) as shown.

SERIAL PLATE



DRY2283P_806093

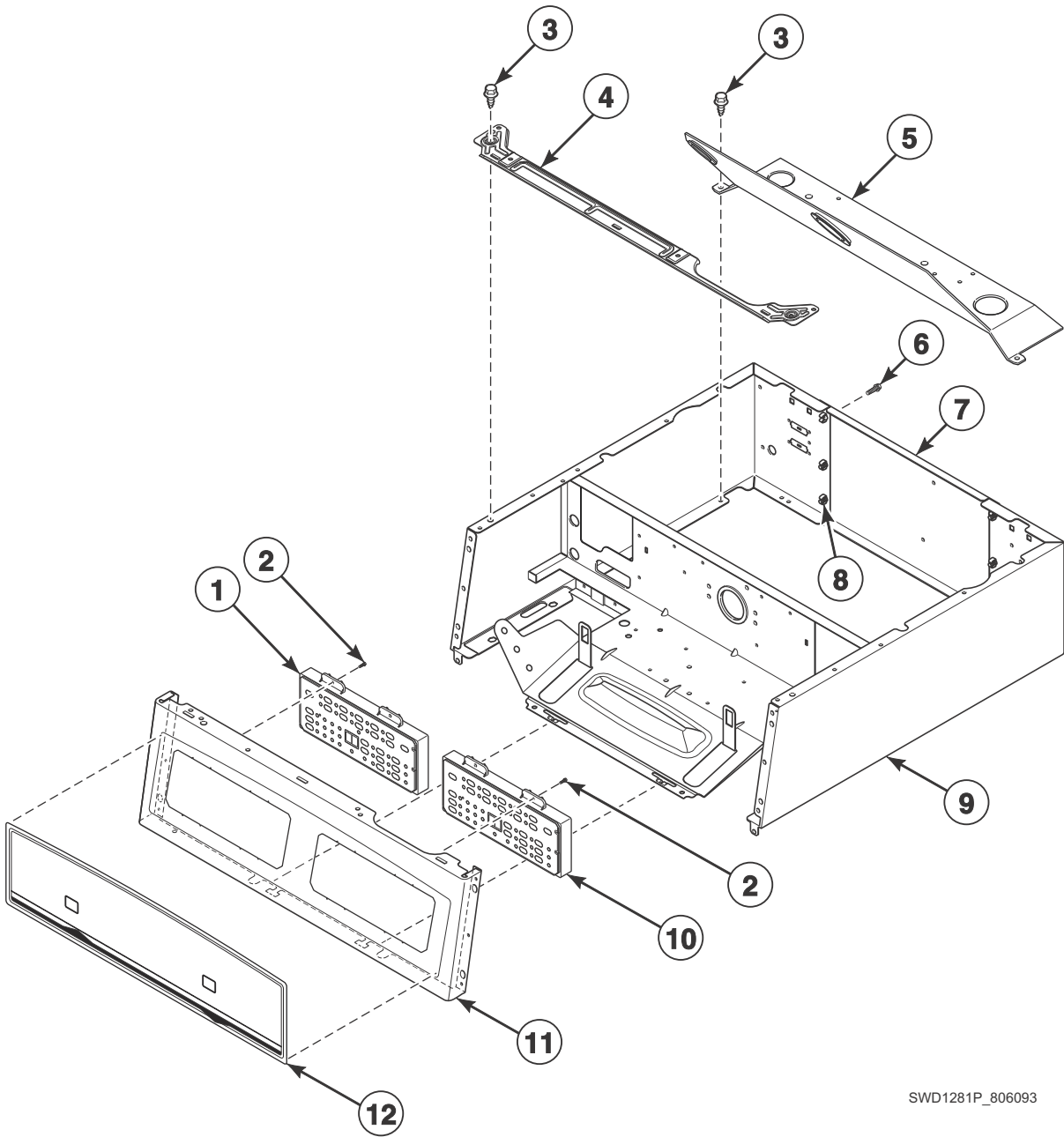
Model Identification

Information in this manual is applicable to these dryer models:

ATEE9AGP173TW01

ATGE9AGP113TW01

Control Cabinet and Controls

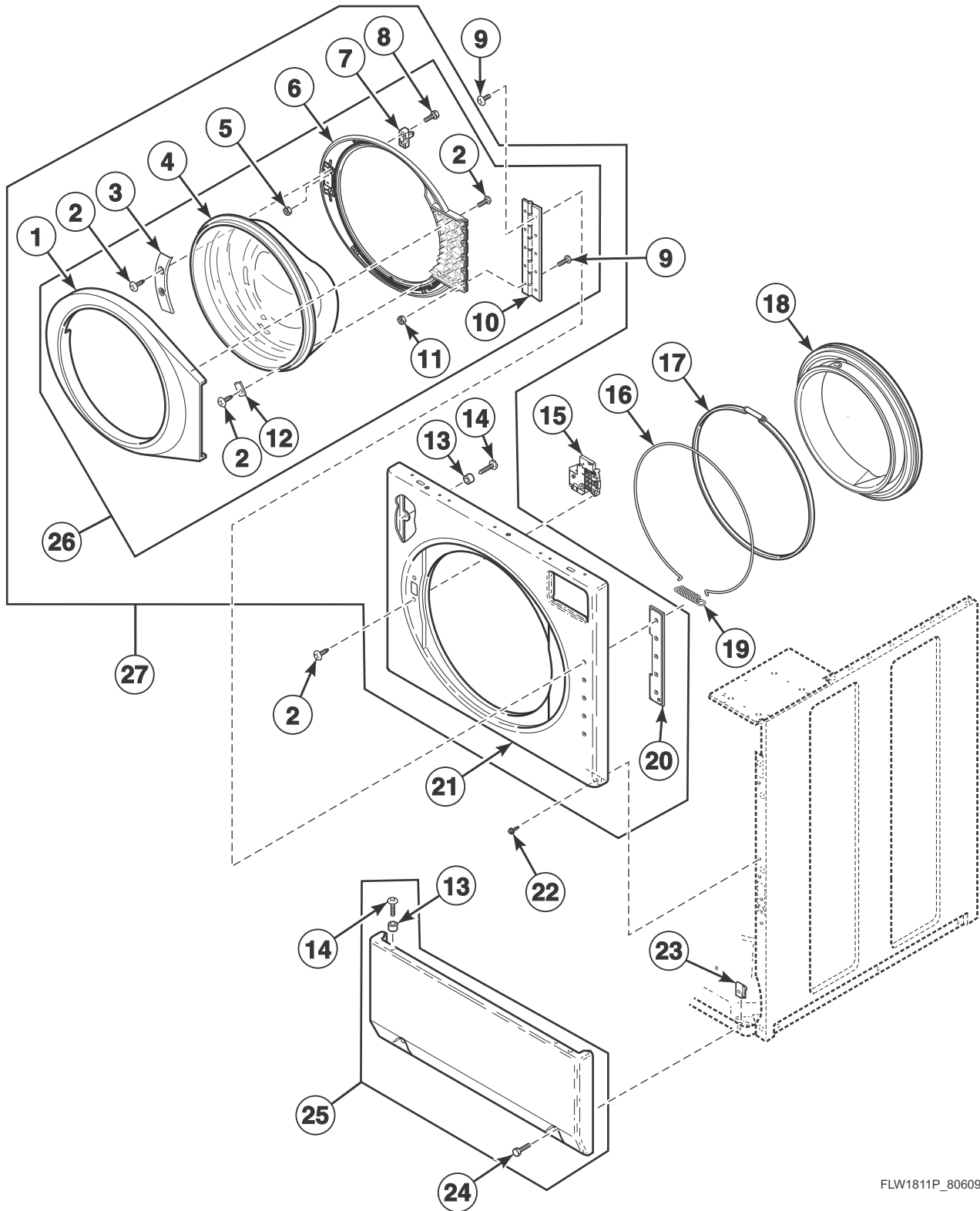


SWD1281P_806093

Control Cabinet and Controls

REF	PART NO.	DESCRIPTION	COMMENTS
1	805219P	Control Assembly	Washer
2	804667	Screw	
3	503688	Screw	
4	804018	Shield Bracket	
5	804363	Control Shield	
6	70240301	Screw	
7	803998	Rear Access Panel	
8	70030501	Expansion Clip	
9	804112W	Wrapper Assembly	
10	514567P	Control	Dryer
11	803960WP	Control Panel	
12	804491	Control Overlay	

Front Panel, Door Assembly and Door Seal

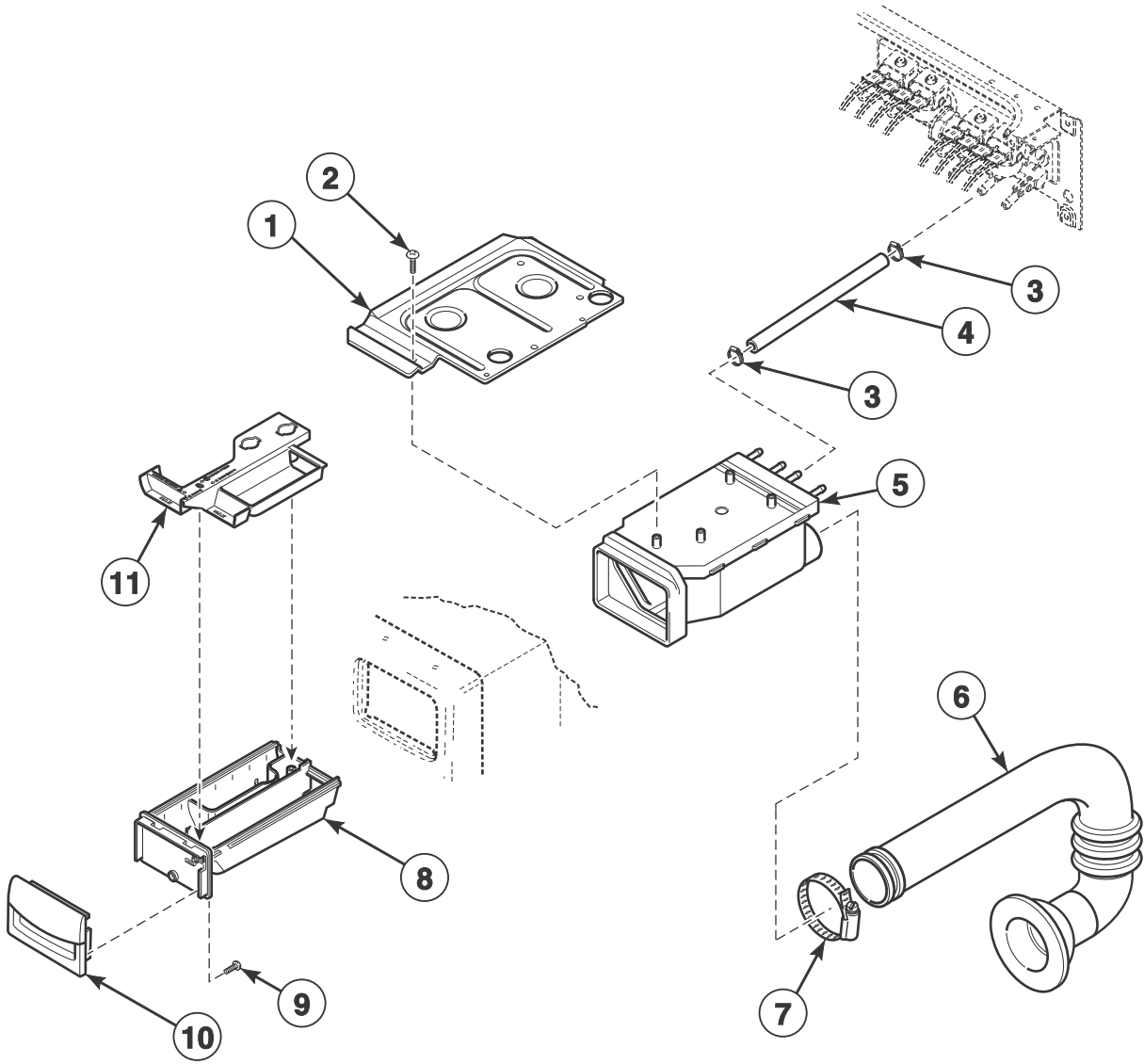


FLW1811P_806093

Front Panel, Door Assembly and Door Seal

REF	PART NO.	DESCRIPTION	COMMENTS
1	803710WP	Outer Door Bezel	White
2	800548	Screw	
3	804239	Door Glass Mounting Plate	
4	802695P	Door Glass	
5	685846	Nut	
6	802307P	Inner Door Bezel Kit	
	804562	Inner Door Bezel	Glass-filled polypropylene upgrade
7	802803	Door Catch Assembly	
8	801993	Screw	
9	801019	Screw	
10	802934	Door Hinge	
11	23951	Nut	
12	802700	Glass Mounting Clip	7 required
13	56079	Panel Locator	
14	39733	Screw	
15	803920	Door Latch Assembly	
16	802283	Wire Clamp Ring	
17	802281	Hose Clamp	Seal to outer tub front
18	804428P	Door Seal	Black
	804429P	Door Seal Assembly	Gray
19	802285	Extension Spring	
20	802206	Hinge Plate	
21	802277WP	Front Panel	
22	503661	Screw	
23	36020	Nut	
24	801045	Screw	
25	514250WP	Access Panel Assembly	
26	804083WP	Door Assembly	White; Includes items 1-12
27	806505W	Front Panel Assembly Kit	Includes items 1-14, 20 and 21

Dispenser Assembly

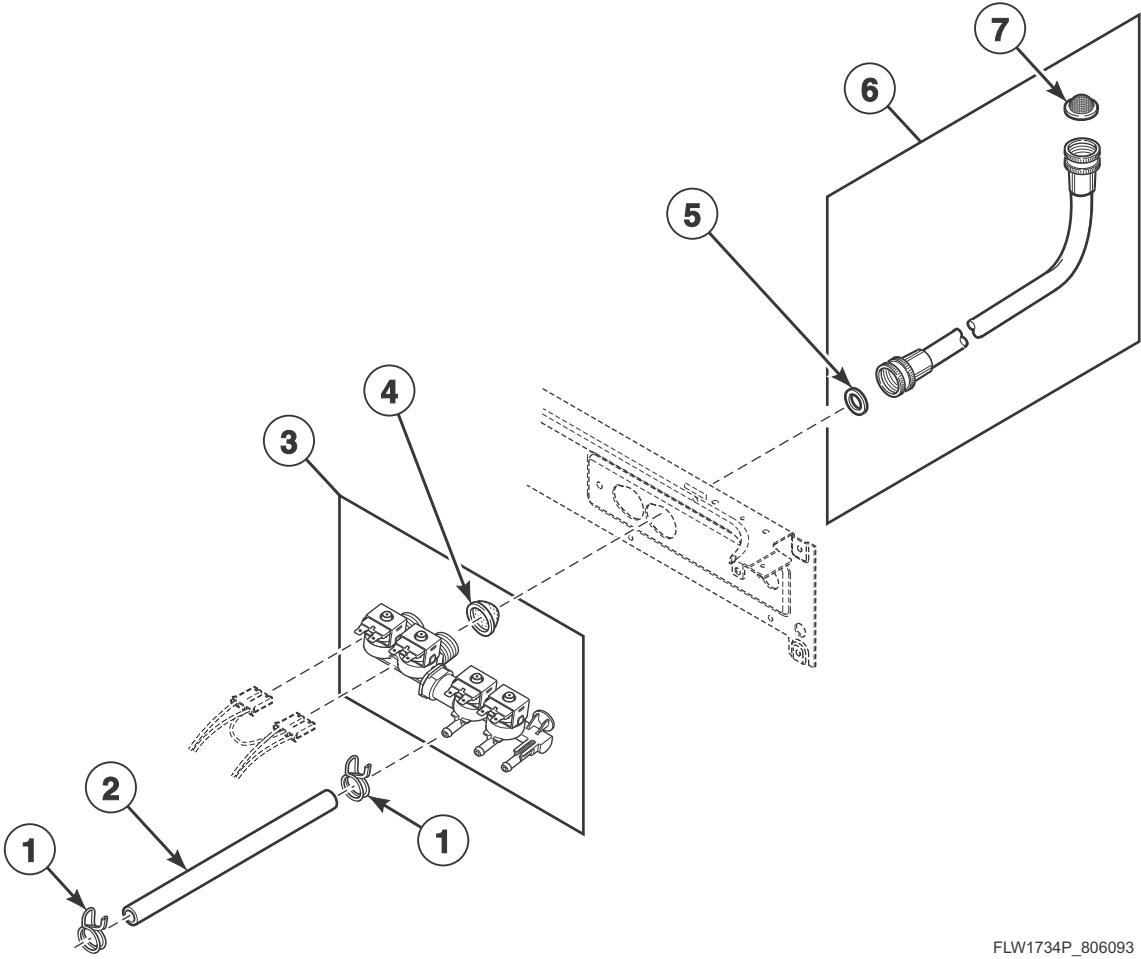


FLW1717P_806093

Dispenser Assembly

REF	PART NO.	DESCRIPTION	COMMENTS
	804875	Foam Pad	
1	803843	Dispenser Plate	
2	801001	Screw	
3	804173	Hose Clamp	
4	803849	Dispenser Inlet Hose	
5	803698	Dispenser Assembly	
6	804717	Detergent Hose	
7	685725	Hose Clamp	
8	803667	Dispenser Drawer	
9	800548	Screw	
10	804227WP	Dispenser Handle	
11	803669	Compartment Cover	

Mixing Valve, Fill Hose and Valve-to-Dispenser Hose

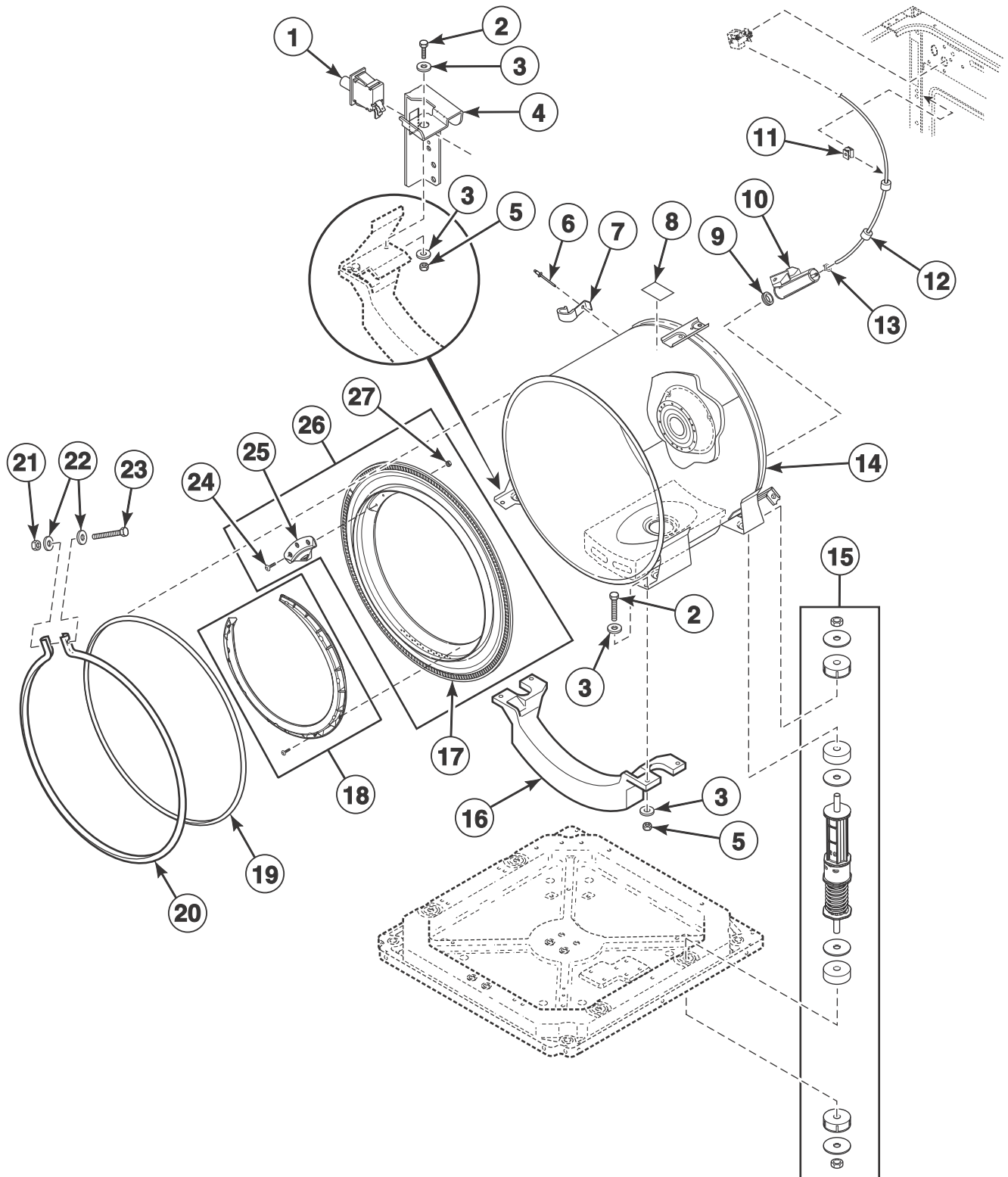


FLW1734P_806093

Mixing Valve, Fill Hose and Valve-to-Dispenser Hose

REF	PART NO.	DESCRIPTION	COMMENTS
1	804173	Hose Clamp	6 required
2	803849	Dispenser Inlet Hose	
3	803809	Mixing Valve	
4	24122	Mixing Valve Screen	
5	20290	Washer	
6	F200116	Water Hose	Includes items 5 and 7
7	803615	Washer	Filter screen
	802254	Washer	Flow restrictor; Water pressure reducer; Available for water pressure up to but not exceeding 120 psi

Outer Tub, Front and Clamp Ring

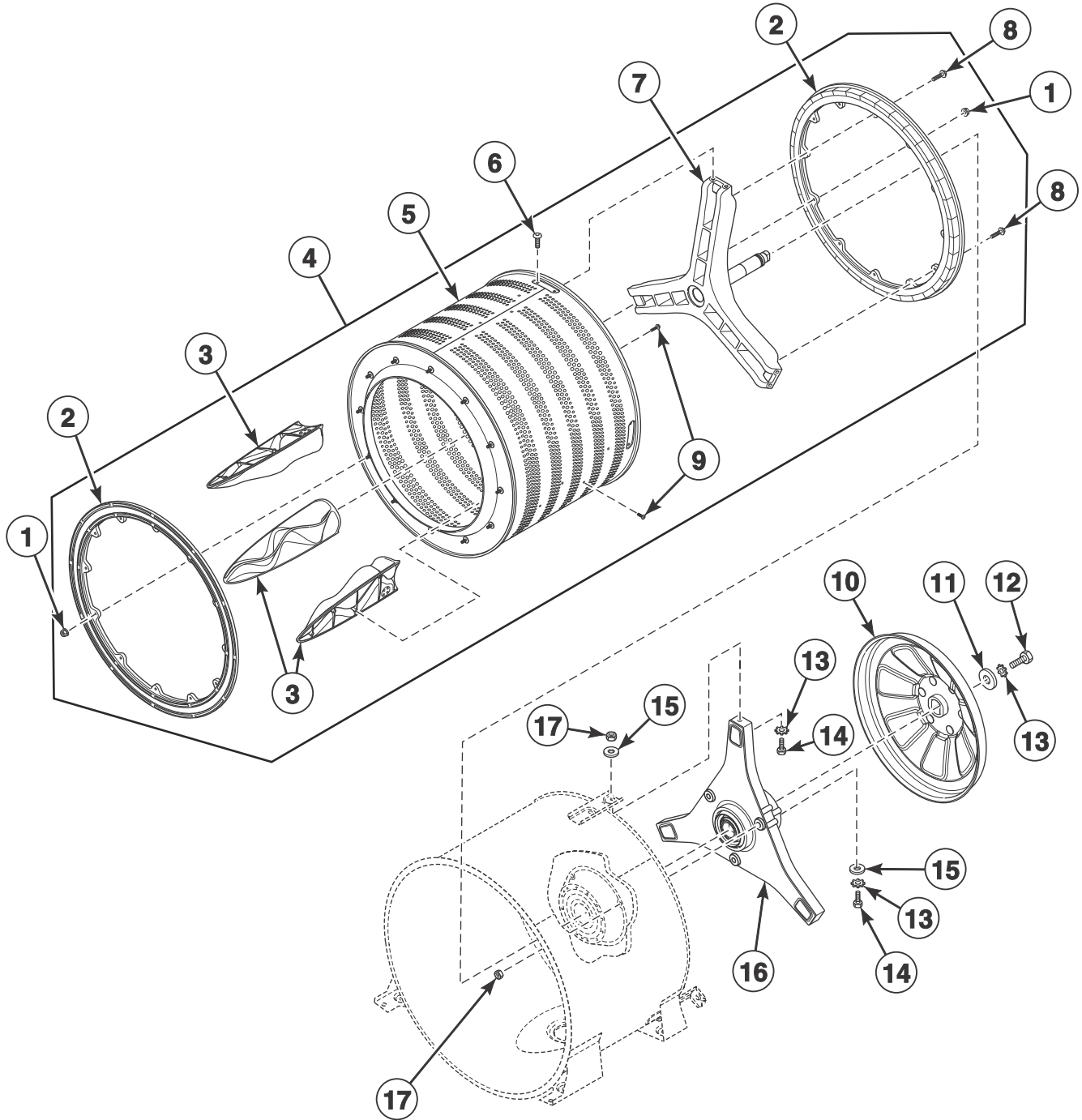


FLW1809P_806093

Outer Tub, Front and Clamp Ring

REF	PART NO.	DESCRIPTION	COMMENTS
1	803415	Out-of-Balance Switch Assembly	
2	800461	Screw	
3	804458	Washer	
4	804457	Out-of-Balance Switch Bracket	
5	800452	Nut	
6	685847	Pop Rivet	
7	800553	Hose Clip	
8	500049	Warning Label	
9	29175	Grommet	
10	803837	Pressure Bulb	
11	36985	Hose Clip	
12	804483	Pressure Sensor Tube Assembly	
13	803891	Hose Clamp	
14	803864	Outer Tub Assembly	
15	803777	Shock Assembly	Must replace all four
16	803810	Counterweight	
17	803770	Tub Front	
18	806308	Foreign Object Deflector	Black; Includes screws
	806313	Foreign Object Deflector	Gray; Includes screws
	806361	Foreign Object Deflector	Tall; Gray; Includes screws
19	803801	Tub Front Seal	
20	803802	Clamp Ring	
21	F430218	Nut	
22	M400081	Washer	
23	800462	Screw	
24	802596	Screw	
25	804467	Clothes Guard Deflector	
	805548	Clothes Guard Deflector	Heavy duty
26	803879	Tub Front Assembly	Includes items 17, 24, 25 and 27
27	802343	Nut	

Inner Basket, Trunnion, Bearing Housing and Pulley

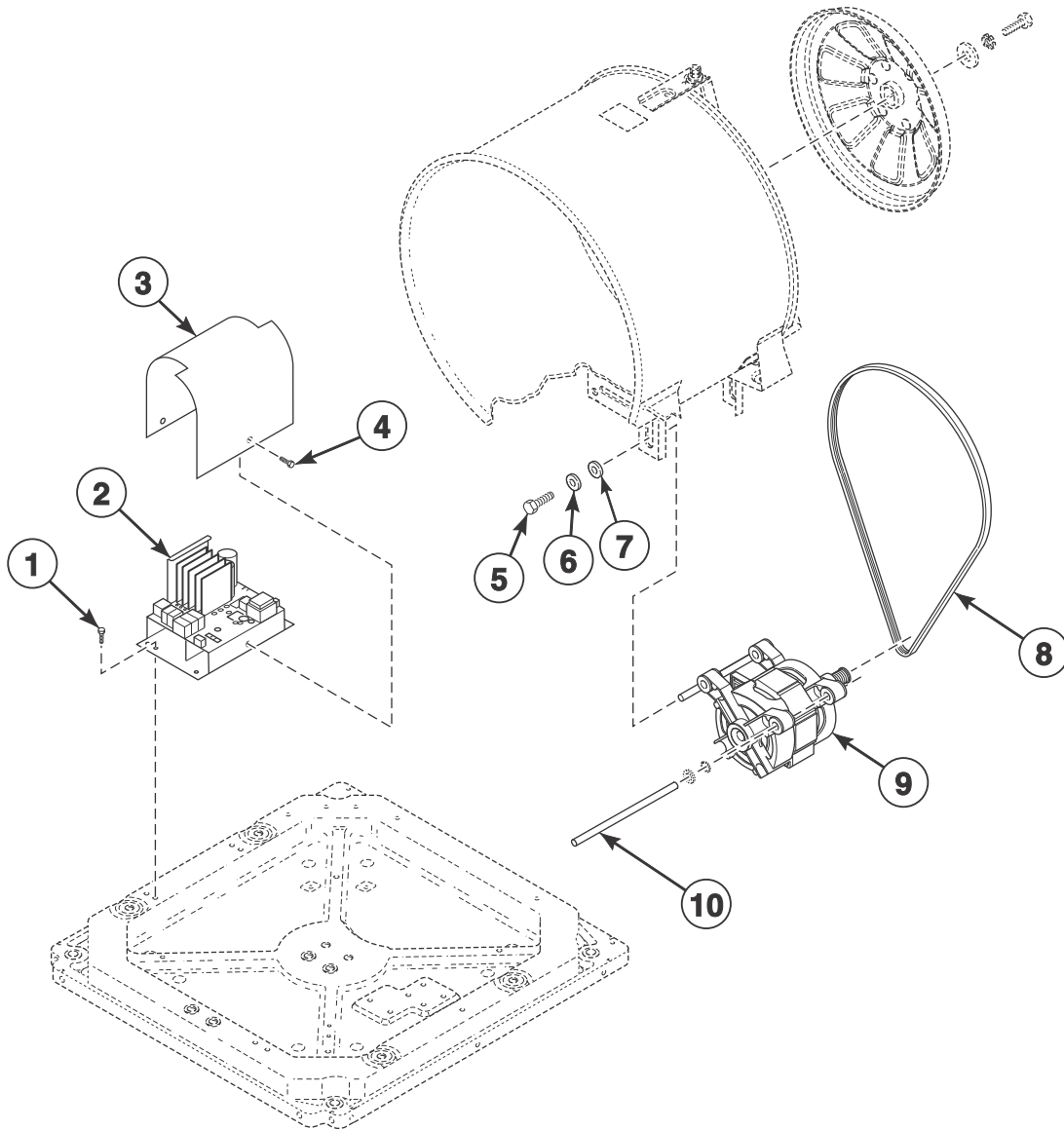


FLW1803P_806093

Inner Basket, Trunnion, Bearing Housing and Pulley

REF	PART NO.	DESCRIPTION	COMMENTS
	27604P	Anti-Seize Compound	Pulley to inner basket shaft
1	804418	Nut	
2	804393	Balance Ring Assembly	
3	804382	Lifter	
4	804376P	Inner Basket Assembly Kit	Includes items 1-3 and 5-9
5	804374P	Inner Basket Assembly	
6	804699	Screw	
7	804405P	Trunnion Shaft Kit	Includes hardware and tool
8	804399	Screw	
9	800548	Screw	
10	803974	Pulley Assembly	
11	800464	Washer	
12	685831	Screw	Left hand thread
13	M403958	Washer	Used on models through Serial No. 1609046804
14	M400043	Screw	
15	800457	Washer	
16	805525	Bearing Housing Kit	Includes hardware and tool
17	800452	Nut	

Motor and Belt

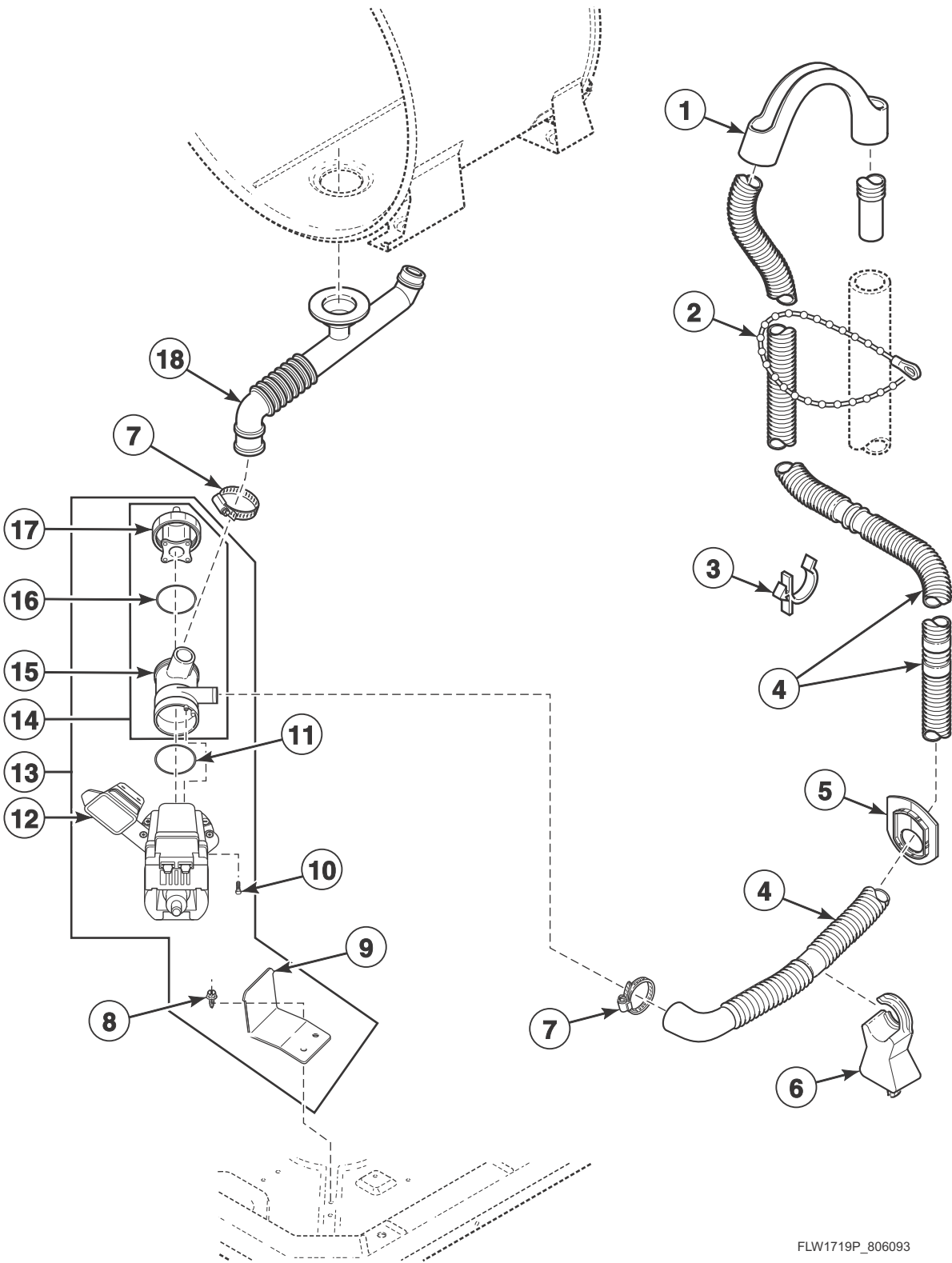


FLW1735P_806093

Motor and Belt

REF	PART NO.	DESCRIPTION	COMMENTS
1	503661	Screw	
2	803949P	Inverter Control Assembly	
3	804878	Motor Control Shield	
4	501524	Screw	
5	M400057	Screw	
6	02834	Washer	
7	M400080	Washer	
8	804985	Drive Belt	
9	805726P	Motor and Rod Assembly Kit	Includes item 10
10	803861	Motor Rod	

Drain Hose and Pump

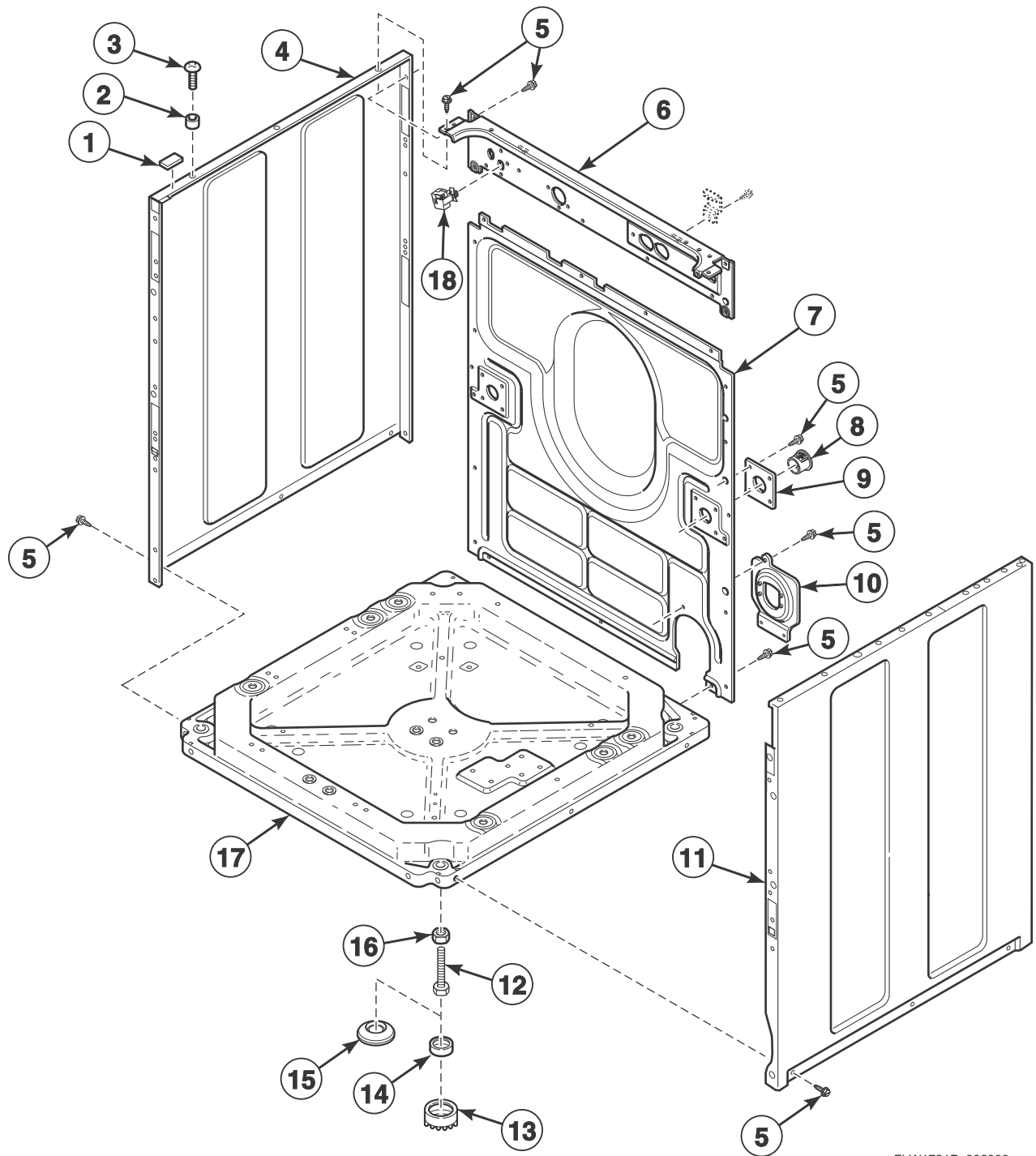


FLW1719P_806093

Drain Hose and Pump

REF	PART NO.	DESCRIPTION	COMMENTS
1	33615	Drain Hose Sleeve	
2	33489	Standpipe Strap	
3	36014	Retainer Clip	
4	803976	Drain Hose	
5	32219	Strain Relief	
6	38732	Hose Stand	
7	F200204	Hose Clamp	
8	503661	Screw	
9	803814	Drain Base Bracket	
10	802431	Screw	
11	802429P	O-Ring	
12	803815	Drain Pump Isolator	
13	803921P	Drain Pump Assembly	Includes items 8-12 and 14-17
14	802434P	Pump Housing Assembly	Includes items 15-17
15	802428	Pump Housing	
16	802427	Gasket	
17	802426P	Lid Assembly	Includes filter
18	803829	Tub-to-Pump Hose	
	27615P	Sealant	Tub-to-pump hose to outer tub

Base, Side Panels and Rear Panel

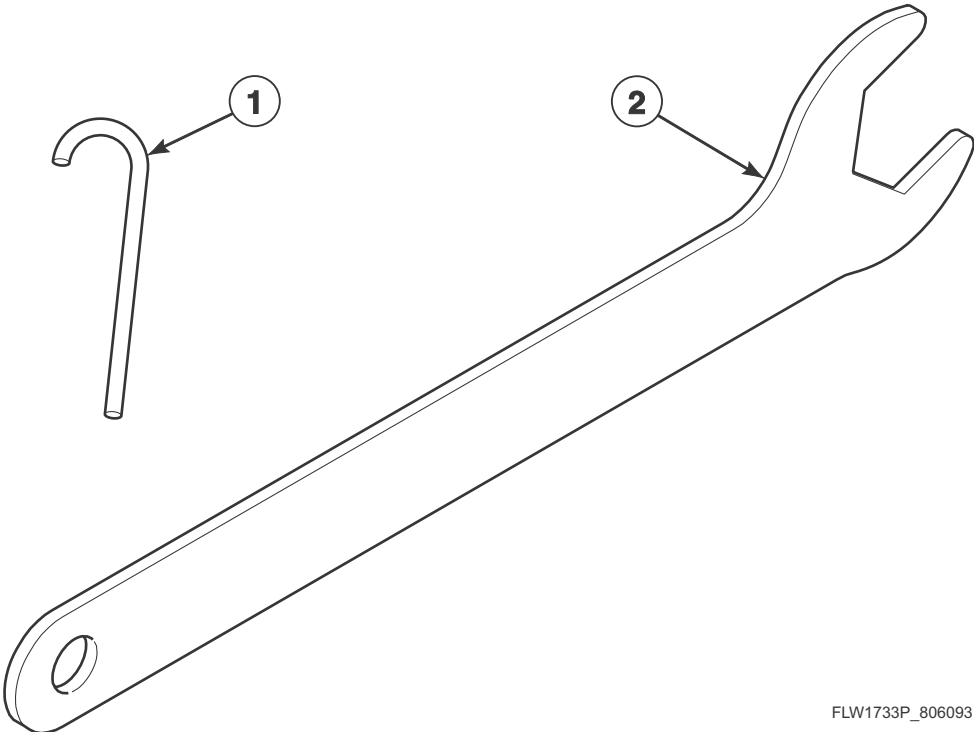


FLW1721P_806093

Base, Side Panels and Rear Panel

REF	PART NO.	DESCRIPTION	COMMENTS
	122P4P	Porcelain Touch-Up Paint	White
1	36226	Bumper Pad	
2	56079	Panel Locator	
3	39733	Screw	
4	800004WP	Cabinet Panel Kit	Left; White; Includes corner gusset with hardware
5	503661	Screw	
6	803790	Rear Panel	Fixed
7	803789	Rear Panel	Removable
8	803859	Shipping Plug	
9	803851	Shipping Plate	
10	803828	Drain Hose Bracket	
11	806492	Side Panel Kit	Right; White
12	34319	Leveling Leg	
13	501855	Rubber Foot	Use to prevent movement on smooth surface floor coverings; Install over two existing front rubber feet (item 14)
14	34318	Rubber Foot	
15	155P3	Anchor	Includes 4 rubber discs with adhesive backing
	802844P	Anchor Floor Mount Assembly	Includes 2 rubber discs with adhesive backing
16	21899	Nut	
17	803876	Base Assembly	
18	202470	Pressure Sensor	

Special Tools

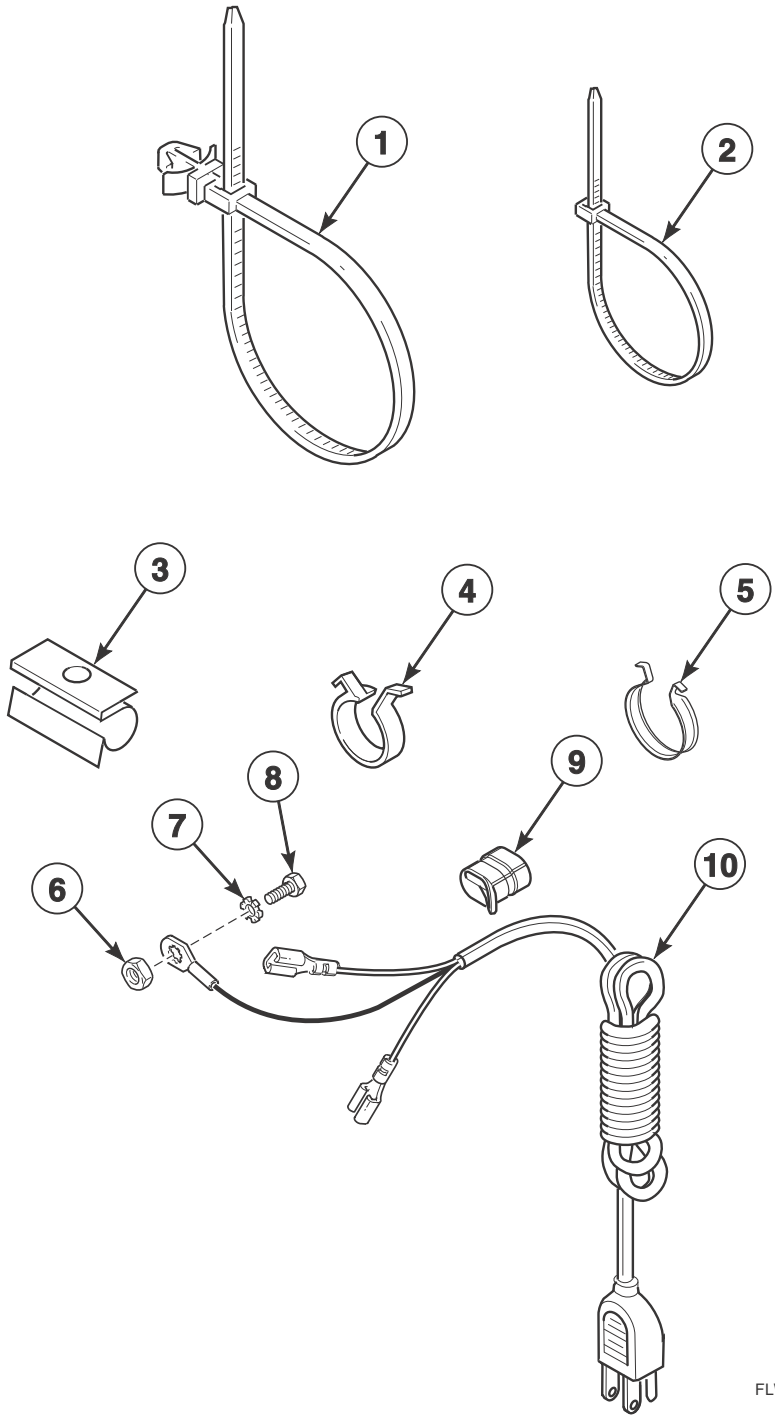


FLW1733P_806093

Special Tools

REF	PART NO.	DESCRIPTION	COMMENTS
1	802336	Pulley Bolt Tightening Fixture	Use to install inner basket
2	392P4	Wrench	Use for adjusting leveling leg nuts

Washer Lead-In Cord, Wire Ties and Harness Clips

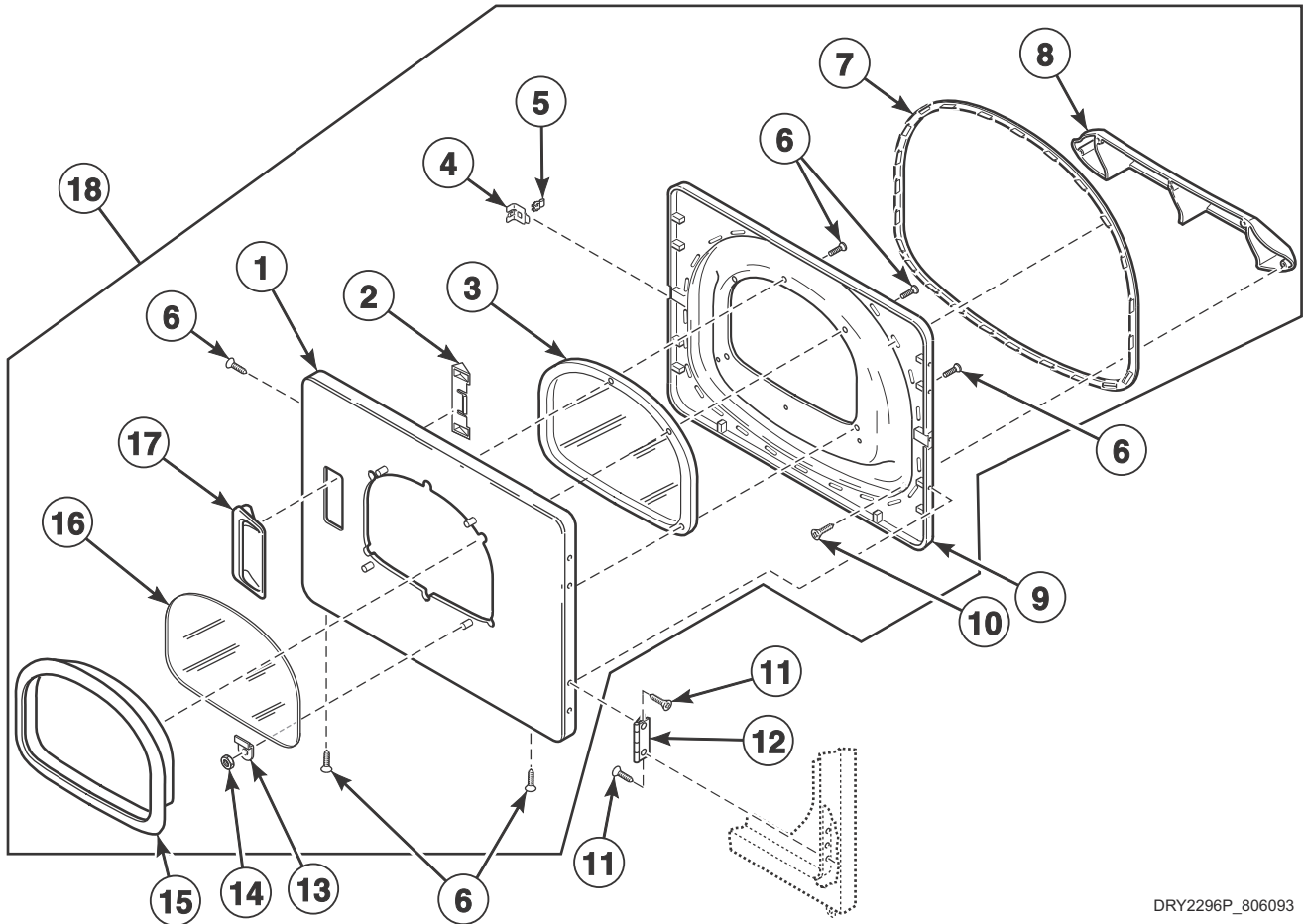


FLW823P_806093

Washer Lead-In Cord, Wire Ties and Harness Clips

REF	PART NO.	DESCRIPTION	COMMENTS
1	38663	Wire Tie	
2	55881	Harness Strap	
3	36985	Hose Clip	
4	504034	Wire Clip	Small
5	687500	Wire Clip	Large
6	03673	Nut	
7	03815	Washer	
8	20530	Screw	
9	38384	Strain Relief	
10	202777	Lead-In Cord	

Dryer Loading Door

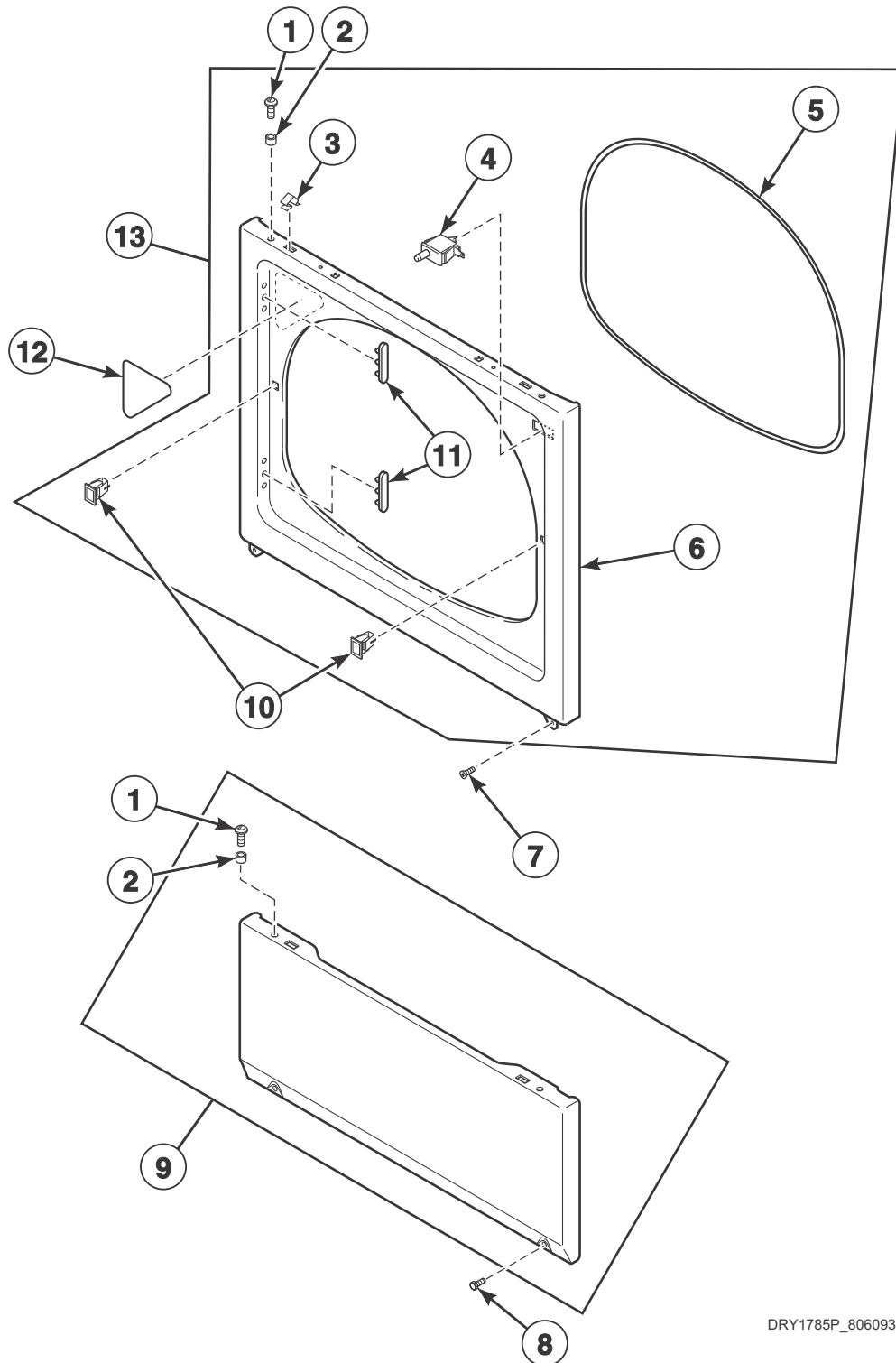


DRY2296P_806093

Dryer Loading Door

REF	PART NO.	DESCRIPTION	COMMENTS
1	514114W	Dryer Door Assembly	Model ATEE9AGP173TW01; Model ATGE9AGP113TW01 starting Serial No. 1606000839
	510082WP	Dryer Door	Model ATGE9AGP113TW01 through Serial No. 1606000838
2	510129	Door Handle Wedge	
3	503982P	Dryer Door Window	
4	510127	Door Strike Mount	
5	510181	Door Strike	
6	500226	Screw	Model ATGE9AGP113TW01 through Serial No. 1606000838
	515597	Screw	Model ATEE9AGP173TW01; Model ATGE9AGP113TW01 starting Serial No. 1606000839
7	510147P	Liner Door Seal	
8	503870LG	Door Liner Grill	Model ATEE9AGP173TW01; Model ATGE9AGP113TW01 starting Serial No. 1606000839
	503870W	Door Liner Grill	Model ATGE9AGP113TW01 through Serial No. 1606000838
9	510098LG	Liner and Seal Assembly	Includes item 7; Model ATEE9AGP173TW01; Model ATGE9AGP113TW01 starting Serial No. 1606000839
	510098W	Liner and Seal Assembly	Includes item 7; Model ATGE9AGP113TW01 through Serial No. 1606000838
10	505870	Screw	
11	505295	Screw	
12	511036	Hinge	
13	513958	Window Clip	Model ATEE9AGP173TW01; Model ATGE9AGP113TW01 starting Serial No. 1606000839
14	44071201	Nut	Model ATEE9AGP173TW01; Model ATGE9AGP113TW01 starting Serial No. 1606000839
15	513960W	Window Trim	Model ATEE9AGP173TW01; Model ATGE9AGP113TW01 starting Serial No. 1606000839
	503981W	Window Trim	Model ATGE9AGP113TW01 through Serial No. 1606000838
16	513910	Glass Door Window	Model ATEE9AGP173TW01; Model ATGE9AGP113TW01 starting Serial No. 1606000839
17	510103WP	Door Pull and Wedge Kit	Includes item 2; Model ATGE9AGP113TW01 through Serial No. 1606000838
	515950P	Door Pull and Wedge Kit	Model ATEE9AGP173TW01; Model ATGE9AGP113TW01 starting Serial No. 1606000839
18	511636WP	Door and Liner Assembly	White; Includes items 1-10, 15 and 17; Model ATGE9AGP113TW01 through Serial No. 1606000838

Access Panel, Front Panel and Seal

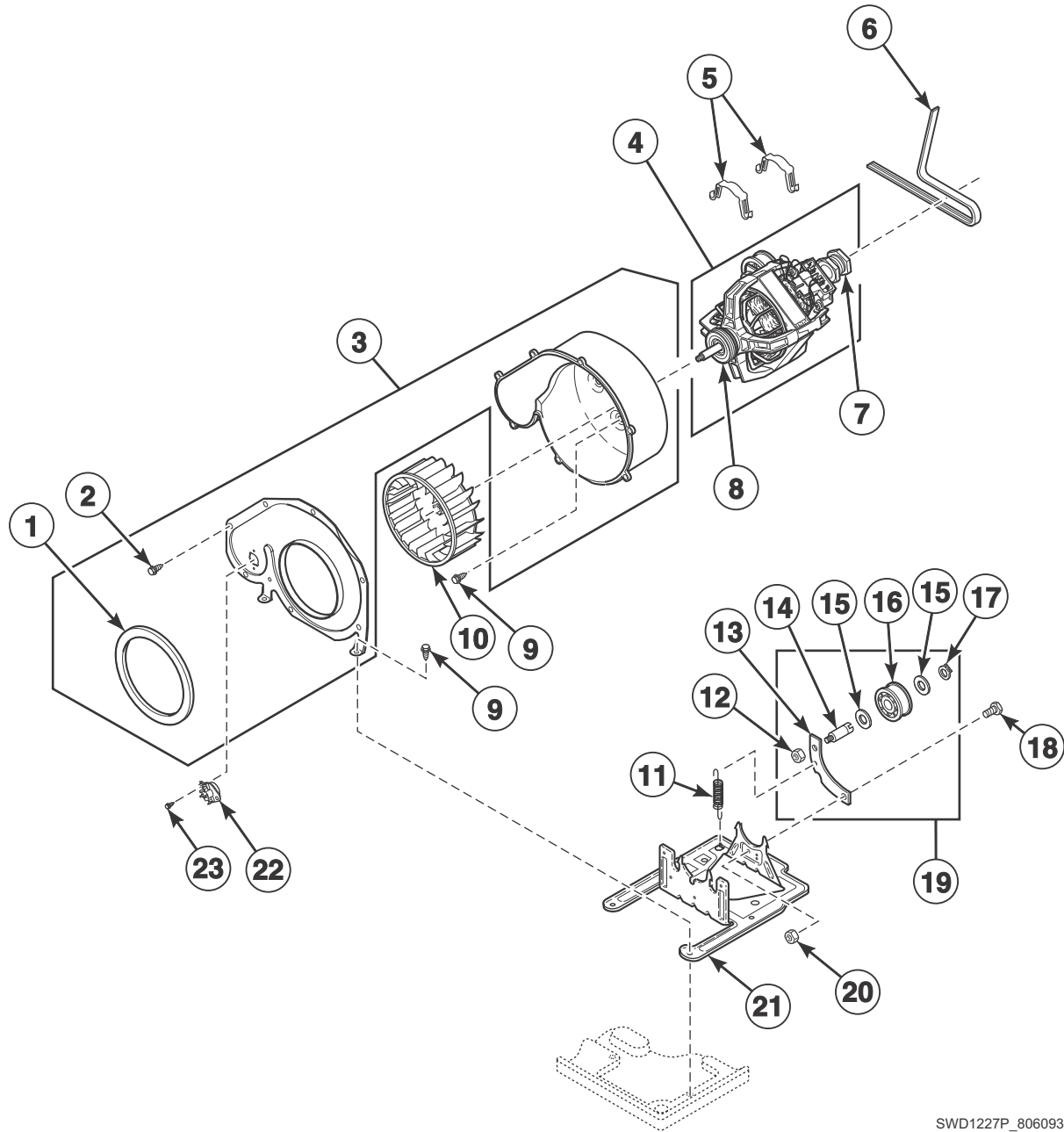


DRY1785P_806093

Access Panel, Front Panel and Seal

REF	PART NO.	DESCRIPTION	COMMENTS
1	39733	Screw	
2	56079	Panel Locator	
3	28835	Speed Clip	
4	512973	Switch	
5	511056	Front Panel Seal	
6	510066WP	Front Panel	
7	503688	Screw	
8	33562	Screw	
9	514252W	Access Panel and Guard Assembly	White; Model ATEE9AGP173TW01; Model ATGE9AGP113TW01 starting Serial No. 1606000839
	514250WP	Access Panel Assembly	White; Model ATGE9AGP113TW01 through Serial No. 1606000838
10	510177	Door Catch Assembly	
11	510186	Hinge Hole Plug	
12	500281	Warning/Caution Label	
13	513781WP	Front Panel Assembly	Includes items 1-6, 10, 11, 511636WP Door Assembly, (2) 511036 Hinge and (8) 500226 Screw

Motor, Exhaust Fan and Belt

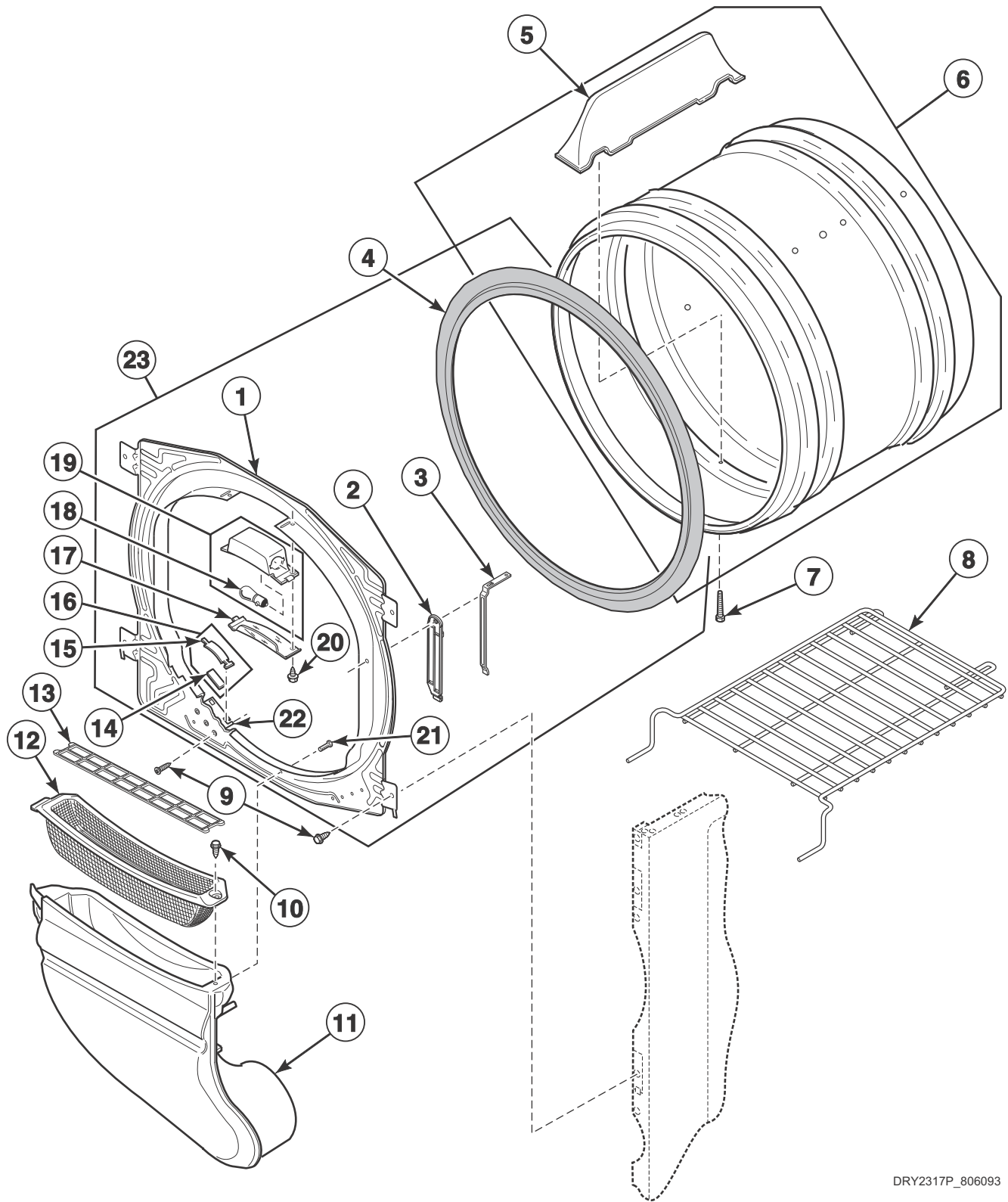


SWD1227P_806093

Motor, Exhaust Fan and Belt

REF	PART NO.	DESCRIPTION	COMMENTS
	27604P	Anti-Seize Compound	Apply to motor shaft when installing blower fan assembly
1	510238P	Blower Housing Seal	
2	31260	Screw	
3	511969WP	Blower Housing	Includes items 1 and 2; Model ATGE9AGP113TW01 through Serial No. 1606000838
	511969LG	Blower Housing	Includes items 1 and 2; Model ATEE9AGP173TW01; Model ATGE9AGP113TW01 starting Serial No. 1606000839
4	511629P	Motor and Pulley Assembly	120 Volt/60 Hertz; Includes items 5, 7 and 8; Apply anti-seize compound to motor shaft when installing blower fan assembly
5	510180	Motor Mount Clamp	
6	511255P	Cylinder Belt	
7	500011	Motor Pulley	60 Hertz
8	590P3	Motor Hub Ring Kit	
9	503688	Screw	
10	510139P	Blower Fan Assembly	
11	510185	Idler Spring	
12	56156	Nut	
13	510133	Idler Lever	
14	56461P	Shaft	
15	52549	Washer	
16	510142P	Idler Wheel and Bearing Assembly	
17	23748	Retaining Ring	
18	500824	Screw	
19	510158	Idler Lever and Wheel Assembly	Includes items 12-17
20	52566	Nut	
21	510060	Motor Mount	
22	510523	Thermistor Assembly	Black
23	502535	Screw	

Front Bulkhead, Air Duct, Felt Seal and Cylinder

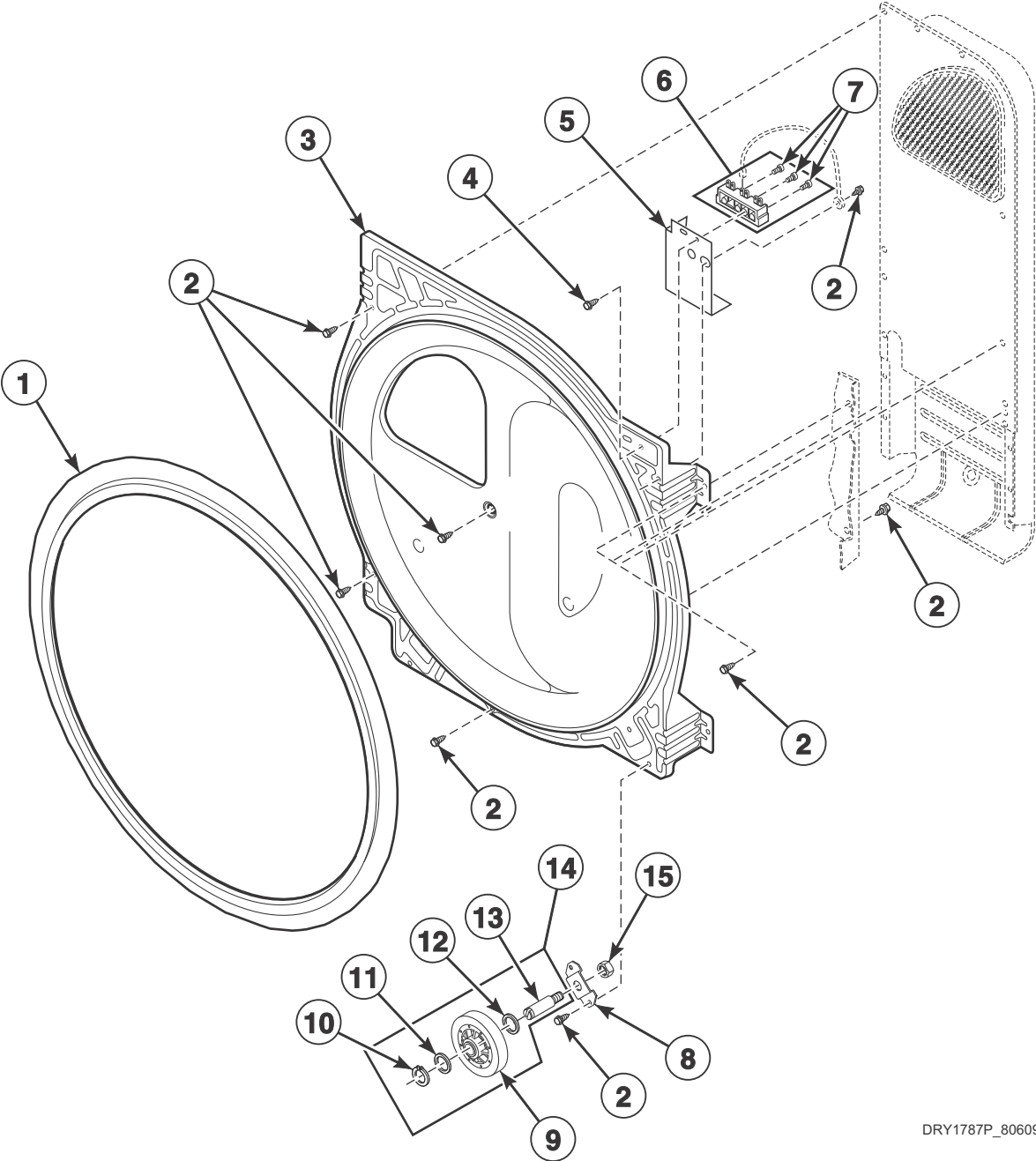


DRY2317P_806093

Front Bulkhead, Air Duct, Felt Seal and Cylinder

REF	PART NO.	DESCRIPTION	COMMENTS
1	513641	Front Bulkhead	Galvanized
	513640W	Front Bulkhead	White; If black marks appear on clothes, replace front bulkhead with this part, cylinder with 510159WP Cylinder Assembly and rear bulkhead with 510905WP Rear Bulkhead Assembly
2	513738	Moisture Sensor Base	
3	513737	Bar Sensor	2 required
4	510207P	Cylinder Seal Assembly	
	511637P	Adhesive	Apply to cylinder seal
	RB170001	Seal Kit	Includes 2 cylinder seals, 510238P Blower Housing Seal and 511637P Adhesive
5	510102W	Cylinder Baffle	3 required
6	510265LGP	Cylinder Assembly	Model ATEE9AGP173TW01; Model ATGE9AGP113TW01 starting Serial No. 1606000839
	510265WP	Cylinder Assembly	Includes item 3; Model ATGE9AGP113TW01 through Serial No. 1606000838
	510159WP	Cylinder Assembly	White; If black marks appear on clothes, replace cylinder with this part, front bulkhead with 505899WP Front Bulkhead Assembly and rear bulkhead with 510905WP Rear Bulkhead Assembly
7	62588	Screw	
8	512082P	Drying Rack	
9	503688	Screw	
10	501285	Screw	
11	510151W	Air Duct Assembly	Model ATGE9AGP113TW01 through Serial No. 1606000838
	510151LG	Air Duct Assembly	Model ATEE9AGP173TW01; Model ATGE9AGP113TW01 starting Serial No. 1606000839
12	503980W	Lint Filter	Model ATGE9AGP113TW01 through Serial No. 1606000838
	503980LG	Lint Filter	Light gray; Model ATEE9AGP173TW01; Model ATGE9AGP113TW01 starting Serial No. 1606000839
13	510502W	Lint Filter Cover	Model ATGE9AGP113TW01 through Serial No. 1606000838
	510502LG	Lint Filter Cover	Model ATEE9AGP173TW01; Model ATGE9AGP113TW01 starting Serial No. 1606000839
14	510189	Felt Pad	2 required
15	513710	Cylinder Glide	2 required
16	RB170003	Glide Kit	Includes items 14 and 15
17	512106	Cylinder Light Lens	
18	60954	Drum Light Lamp	
19	512108	Light Housing Assembly	120 Volt; Includes item 18
20	500227	Screw	
21	501086	Screw	
22	510145	Cylinder Glide Bracket	2 required
23	515533	Front Bulkhead Assembly	Galvanized; Includes items 1-4, 14-20 and 22
	515544W	Bulkhead Assembly	White; Includes items 1-4, 9, 14, 15, 17, 19, 20 and 22; If black marks appear on clothes, replace front bulkhead assembly with 510159WP Cylinder Assembly, and rear bulkhead with 510905WP Rear Bulkhead Assembly

Rear Bulkhead, Felt Seal, Cylinder Roller and Terminal Block



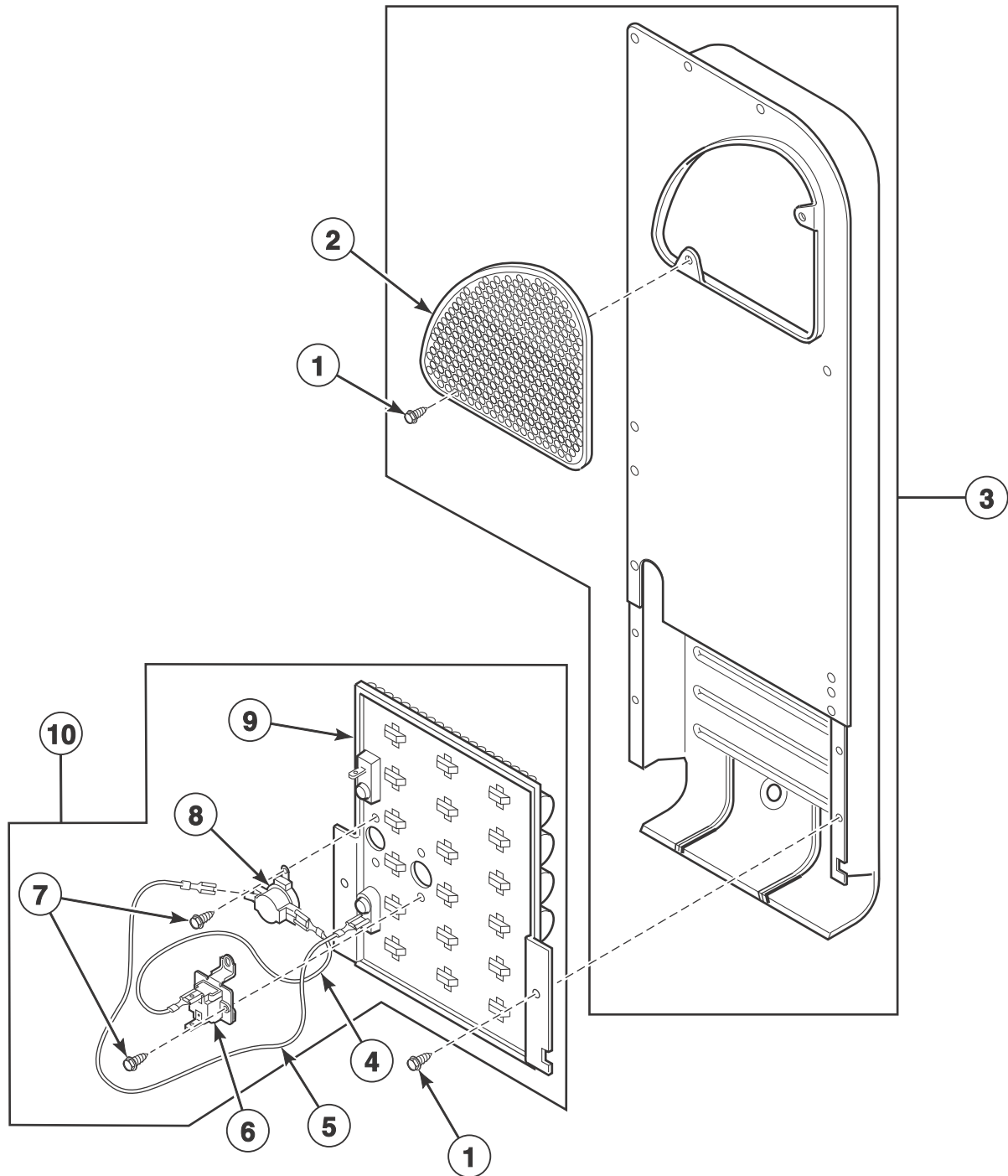
DRY1787P_806093

Rear Bulkhead, Felt Seal, Cylinder Roller and Terminal Block

REF	PART NO.	DESCRIPTION	COMMENTS
1	510207P	Cylinder Seal Assembly	
	511637P	Adhesive	Apply to cylinder seal
	RB170001	Seal Kit	Includes 2 cylinder seals, 510238P Blower Housing Seal and 511637P Adhesive
2	503688	Screw	
3	511082P	Rear Bulkhead Assembly	Includes item 1
	510905WP	Rear Bulkhead Assembly	White; Includes item 1; If black marks appear on clothes, replace rear bulkhead with this part, cylinder with 510159WP Cylinder Assembly and front bulkhead with 505899WP Bulkhead Assembly
4	501285	Screw	Electric models
5	510237	Terminal Block Shield	Electric models
6	510190P	Terminal Block Assembly	Includes 3 of item 7; Electric models
7	61199	Screw	
8	510100	Cylinder Roller Bracket	
9	510708P	Cylinder Roller	
10	23748	Retaining Ring	
11	52549	Washer	
12	504082	Washer	
13	56461P	Shaft	
14	RB170002	Roller Kit	Includes 2 each of items 9-13
15	56156	Nut	

Heater Duct and Element Assembly

Electric Models



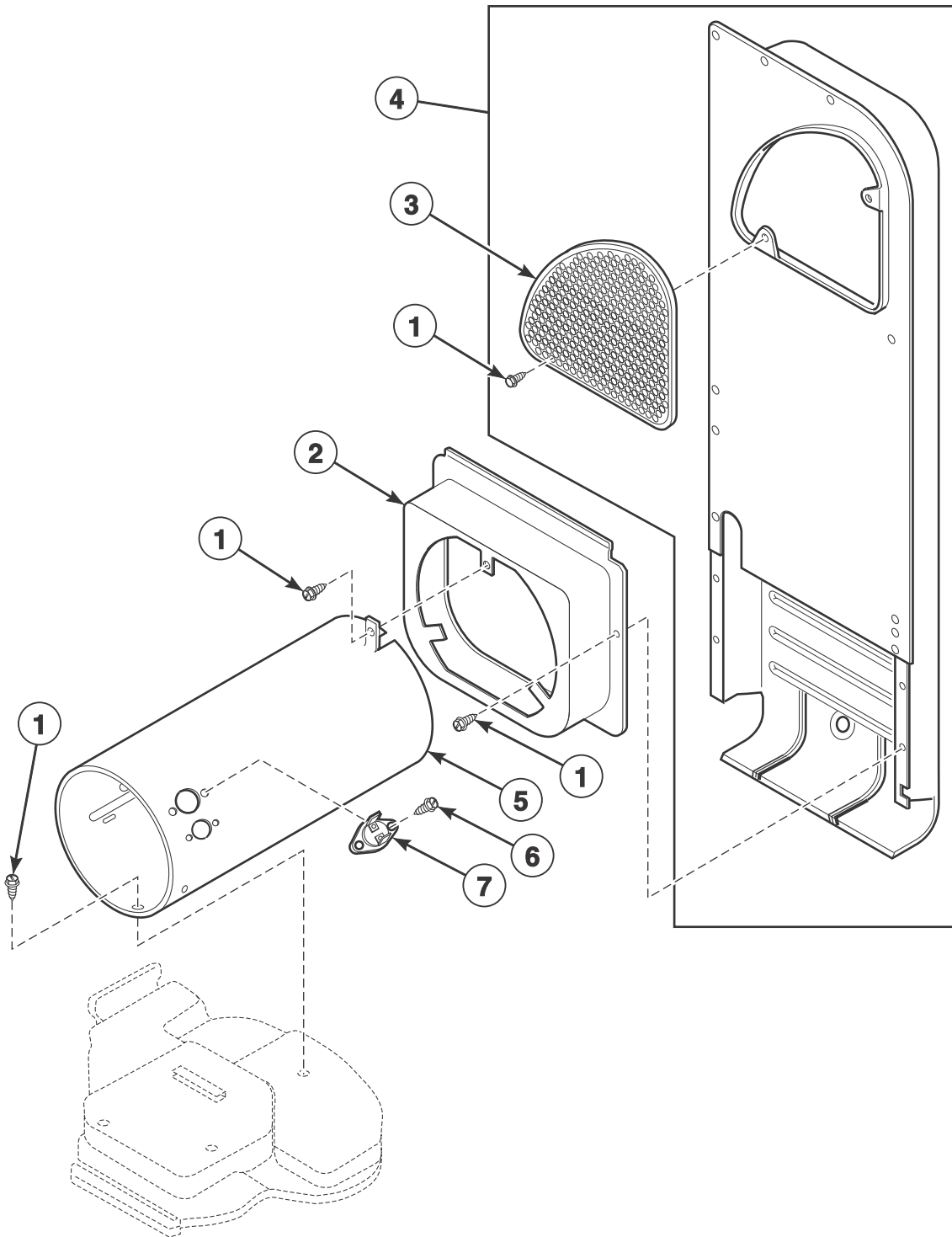
DRY1789P_806093

Heater Duct and Element Assembly

REF	PART NO.	DESCRIPTION	COMMENTS
1	503688	Screw	
2	500820	Outlet Cover	
3	510025P	Heater Duct and Screw Assembly	Includes items 1 and 2
4	510528	Wire Assembly	Orange; Thermostat jumper; Attaches to heater assembly
5	510527	Wire Assembly	Black; Fuse jumper; Attaches to heater assembly
6	511412	Thermal Fuse Assembly	
7	23222	Screw	
8	510701	Limit Thermostat	
9	510329P	Heater Assembly	5.35 kW; 240 Volt
10	61927	Heater Kit Assembly	5 kW; 240 Volt/60 Hertz; Includes items 4-9
	964P3	Heater Kit	5.35 kW; 240 Volt; Includes items 4-9

Heater Duct Assembly

Gas Models



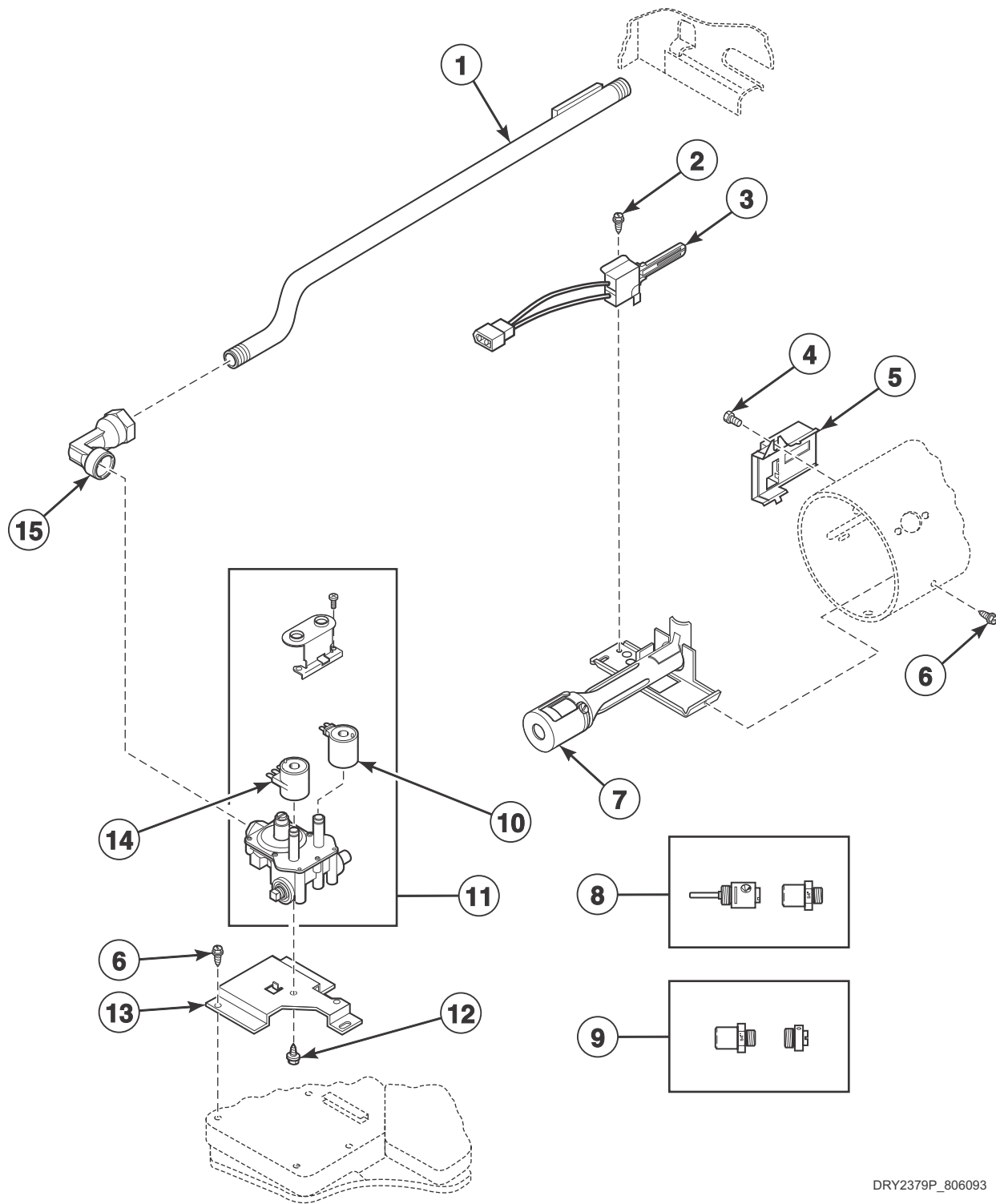
DRY2145P_806093

Heater Duct Assembly

REF	PART NO.	DESCRIPTION	COMMENTS
1	503688	Screw	
2	510101	Heat Duct Shroud	
3	500820	Outlet Cover	
4	510025P	Heater Duct and Screw Assembly	Includes items 1 and 3
5	510131	Combustion Duct	
6	51782	Screw	
7	510702	Limit Thermostat	Black; Auto reset

Gas Valve, Igniter and Gas Conversion Kits

Gas Models



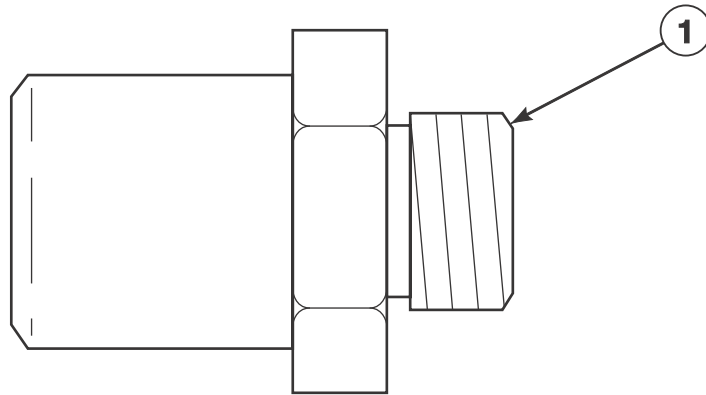
DRY2379P_806093

Gas Valve, Igniter and Gas Conversion Kits

REF	PART NO.	DESCRIPTION	COMMENTS
1	510204	Lead-In Pipe Assembly	
2	51782	Screw	
3	510184P	Igniter and Bracket Assembly	
4	23222	Screw	
5	510213	Sensor	
6	503688	Screw	
7	510149P	Burner Assembly	
8	649P3	L.P. Conversion Kit	Used to convert dryers from Natural Gas (N.G.) or Mixed Gas to Liquid Petroleum Gas (L.P.); 22,500 Btu
9	650P3	N.G. Conversion Kit	Used to convert dryers from L.P. to N.G. or Mixed Gas; 22,500 Btu
10	58804B	Secondary Coil	
11	510506P	Gas Valve Assembly	22,500 Btu; Includes items 10 and 14
12	56124	Screw	
13	510128	Gas Valve Mounting Bracket	
14	58804A	Booster and Holding Coil	
15	513072	Elbow	

Burner Orifice Spuds - For Higher Elevations

Gas Models

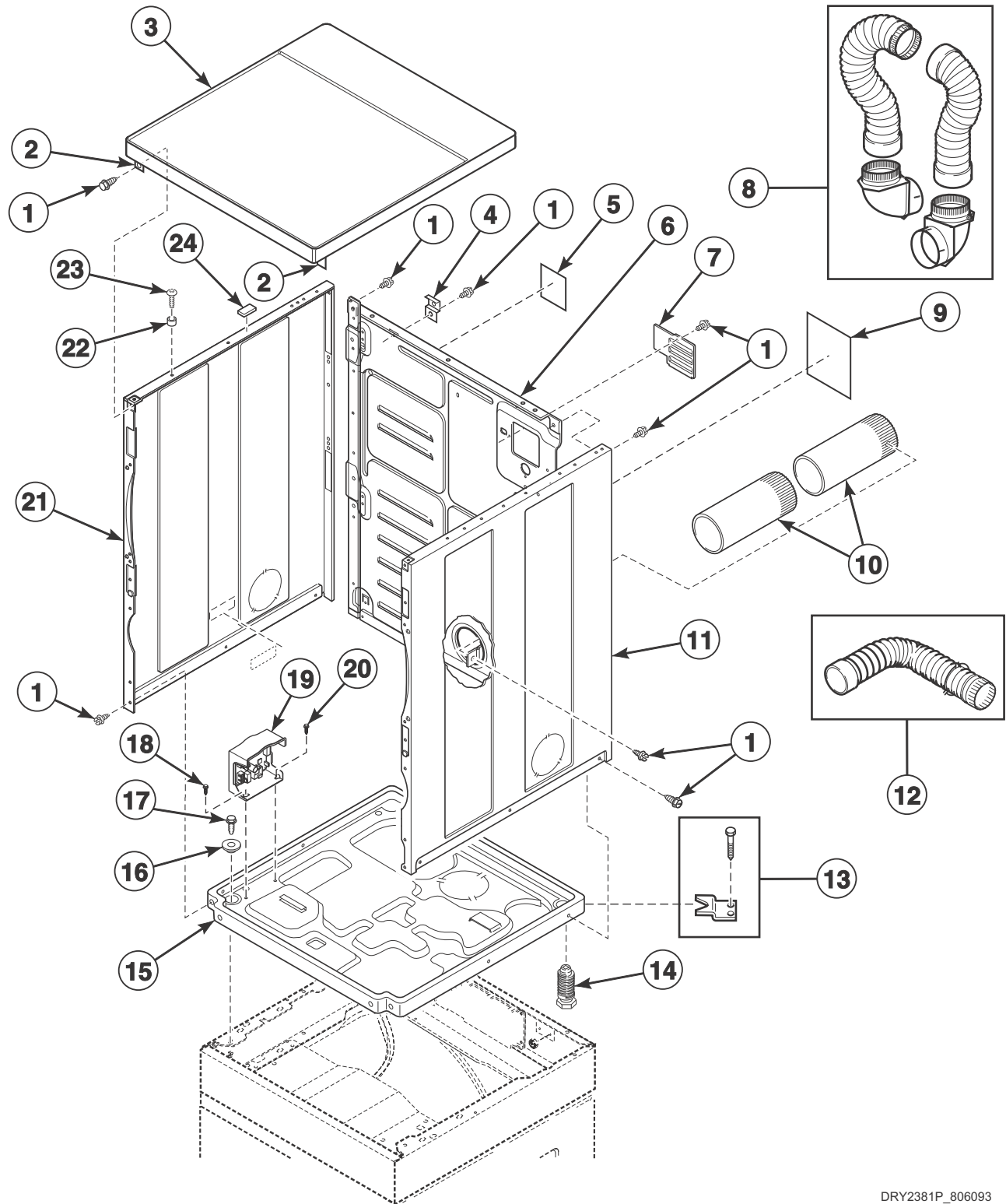


DRY2266P_806093

Burner Orifice Spuds - For Higher Elevations

REF	PART NO.	DESCRIPTION	COMMENTS
1	58755	L.P. Orifice	22,500 Btu; 3000-7999 feet (915-2439 m)
	503786	L.P. Orifice	22,500 Btu; 8000 feet (2440 m) and higher
	503778	N.G. Orifice	22,500 Btu; 3000-5999 feet (915-1829 m)
	58719	Screw Orifice	N.G.; 22,500 Btu; 6000-7999 feet (1830-2439 m)
	503779	N.G. Orifice	22,500 Btu; 8000-8999 feet (2440-2739 m)
	503780	N.G. Orifice	22,500 Btu; 9000-9999 feet (2740-3049 m)
	503781	N.G. Orifice	22,500 Btu; 10,000 feet (3050 m) and higher

Dryer Cabinet, Exhaust Duct and Base



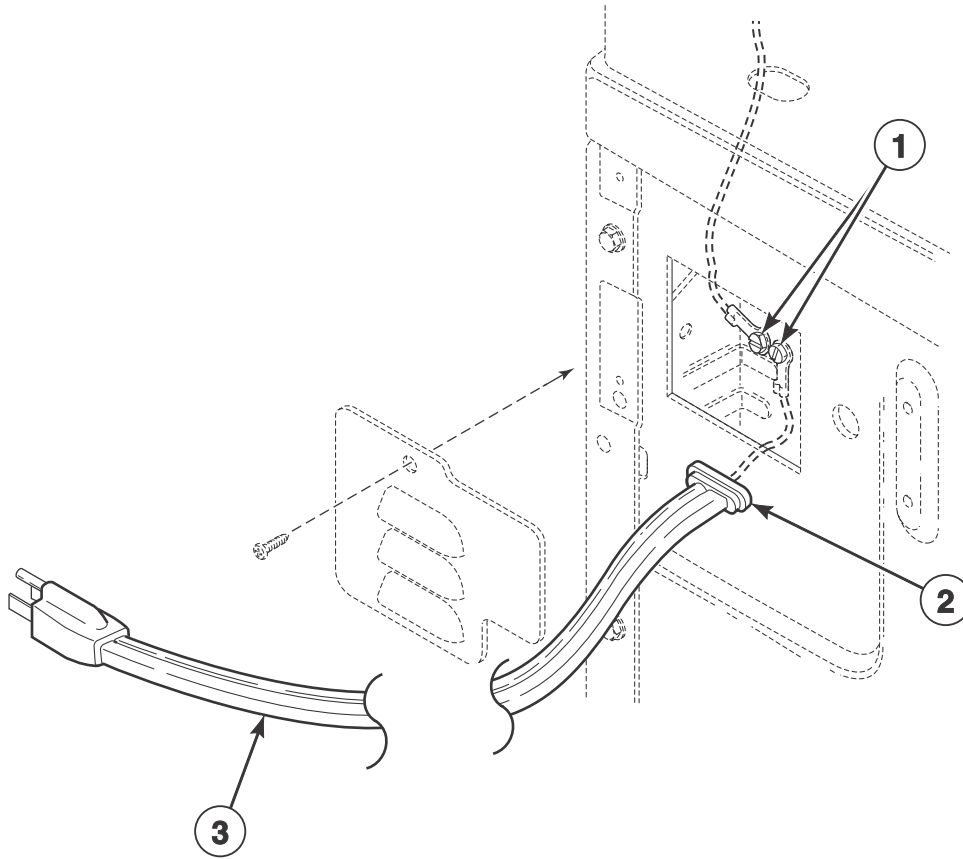
DRY2381P_806093

Dryer Cabinet, Exhaust Duct and Base

REF	PART NO.	DESCRIPTION	COMMENTS
	122P4P	Porcelain Touch-Up Paint	White
1	503688	Screw	
2	510146	Bracket	
3	510032WP	Top Kit	
4	510136	Top Hinge	
5	511004	Gas Clearance Label	Model ATGE9AGP113TW01
6	514632P	Cabinet Rear Panel	
7	510903	Access Panel Plate	
8	521P3	Flexible Venting Kit	
9	511005	Electric Clearance Label	Model ATEE9AGP173TW01
10	510137	Exhaust Duct	Each dryer requires 2 pieces
11	510002WP	Cabinet Side Panel	Right
12	528P3	Directional Exhaust Kit	Used to vent dryer out the sides
13	526P3	Hold Down Kit	For mobile home installations
14	510135	Leveling Leg	
15	514245	Dryer Base	
16	26509	Washer	
17	36048	Screw	
18	514428	Screw	
19	513797P	Output Control Assembly	
20	804667	Screw	
21	510001WP	Cabinet Side Panel	Left
22	56079	Panel Locator	
23	39733	Screw	
24	56128	Bumper Pad	

Dryer Lead-In Cord

Gas Models

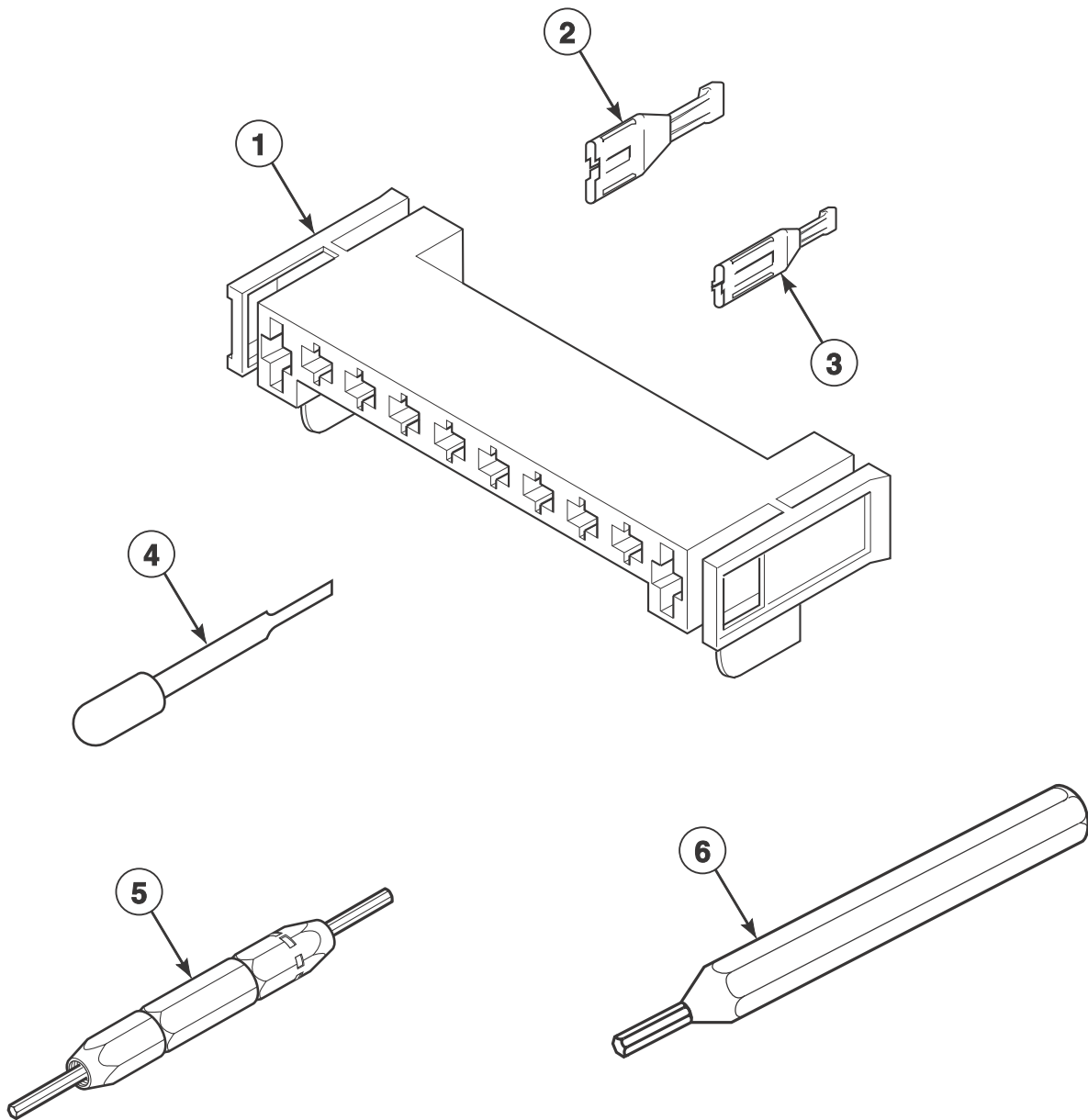


DRY1790P_806093

Dryer Lead-In Cord

REF	PART NO.	DESCRIPTION	COMMENTS
1	20530	Screw	
2	38384	Strain Relief	
3	202777	Lead-In Cord	

Dryer Terminals and Terminal Extractor Tools

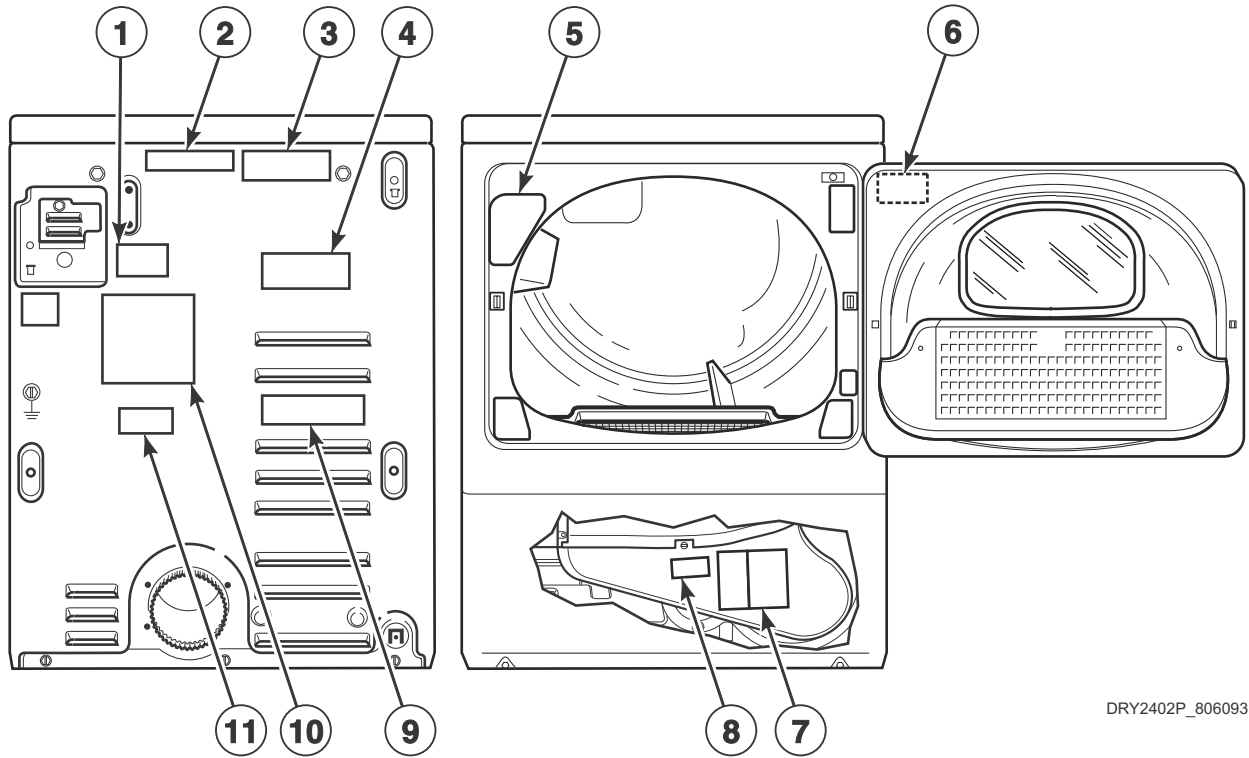


DRY1767P_806093

Dryer Terminals and Terminal Extractor Tools

REF	PART NO.	DESCRIPTION	COMMENTS
1	500338	10 Position Housing	
2	00255	Female Terminal	1/4 inch; (1) 12 gauge wire; Electric models
	00256	Female Terminal	1/4 inch; (1) or (2) 18 gauge wires; Gas models
3	00188	Female Terminal	For 1 or 2 wire application
4	283P4	Terminal Extractor Tool	For use on Molex connectors
5	190P4	Extractor Tool	For use on electric dryer terminals
6	128P4	Extractor Tool	For use on gas dryer terminals

Dryer Labels

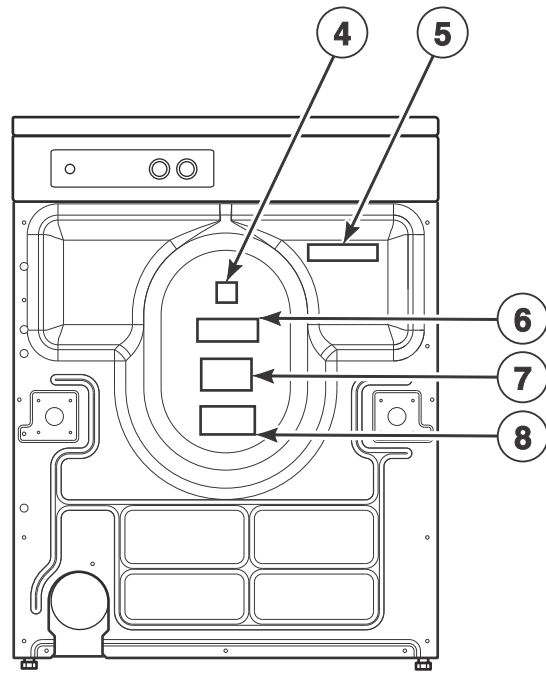
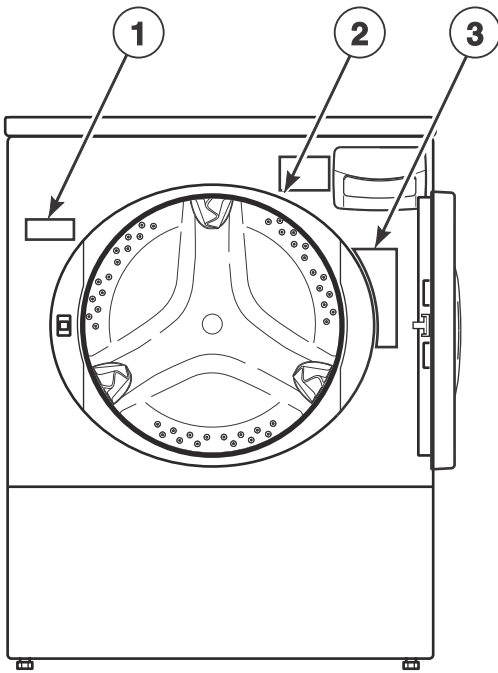


DRY2402P_806093

Dryer Labels

REF	PART NO.	DESCRIPTION	COMMENTS
1	803260	Warning Label	Turn off controls
2	505281	Disconnect Power Warning Label	
3	44127701	Warning Label	Electric shock
4	502791	Venting Instruction Label	
5	500281	Warning/Caution Label	
6	59414	Remove Door Label	
7	511004	Gas Clearance Label	Model ATGE9AGP113TW01
8	500049	Warning Label	Electric schock, rotating parts
9	505215	Gas Label	Stainless steel flexible gas line; Model ATGE9AGP113TW01
10	511005	Electric Clearance Label	Model ATEE9AGP173TW01
11	500497	Exhaust Warning Label	

Washer Labels

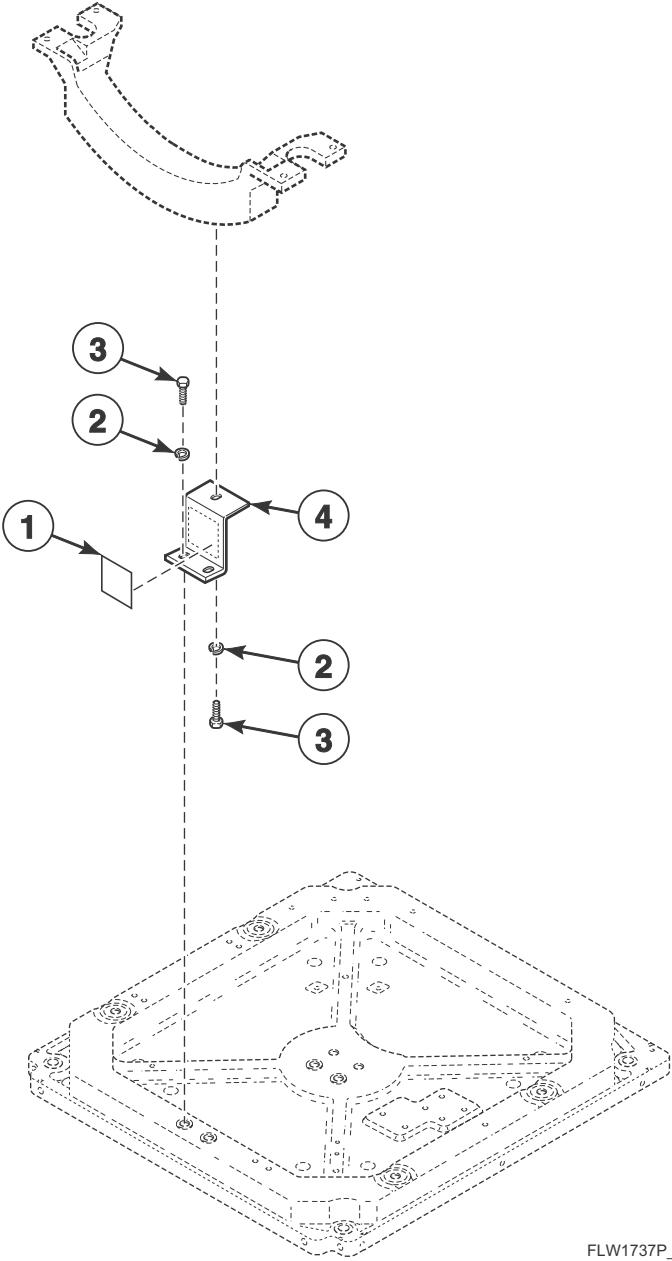


FLW1722P_806093

Washer Labels

REF	PART NO.	DESCRIPTION	COMMENTS
1	803011	Notice Label	
2	802074	Oversudsing Label	English
	802838	Oversudsing Label	Spanish
3	802367	Warning Label	Reduce fire risk; Door locked
4	513371	Read Instructions Label	
5	505281	Disconnect Power Warning Label	
6	685928	Left Hand Thread Label	
7	803260	Warning Label	Disconnect power
8	500314	Warning Label	

Shipping Materials

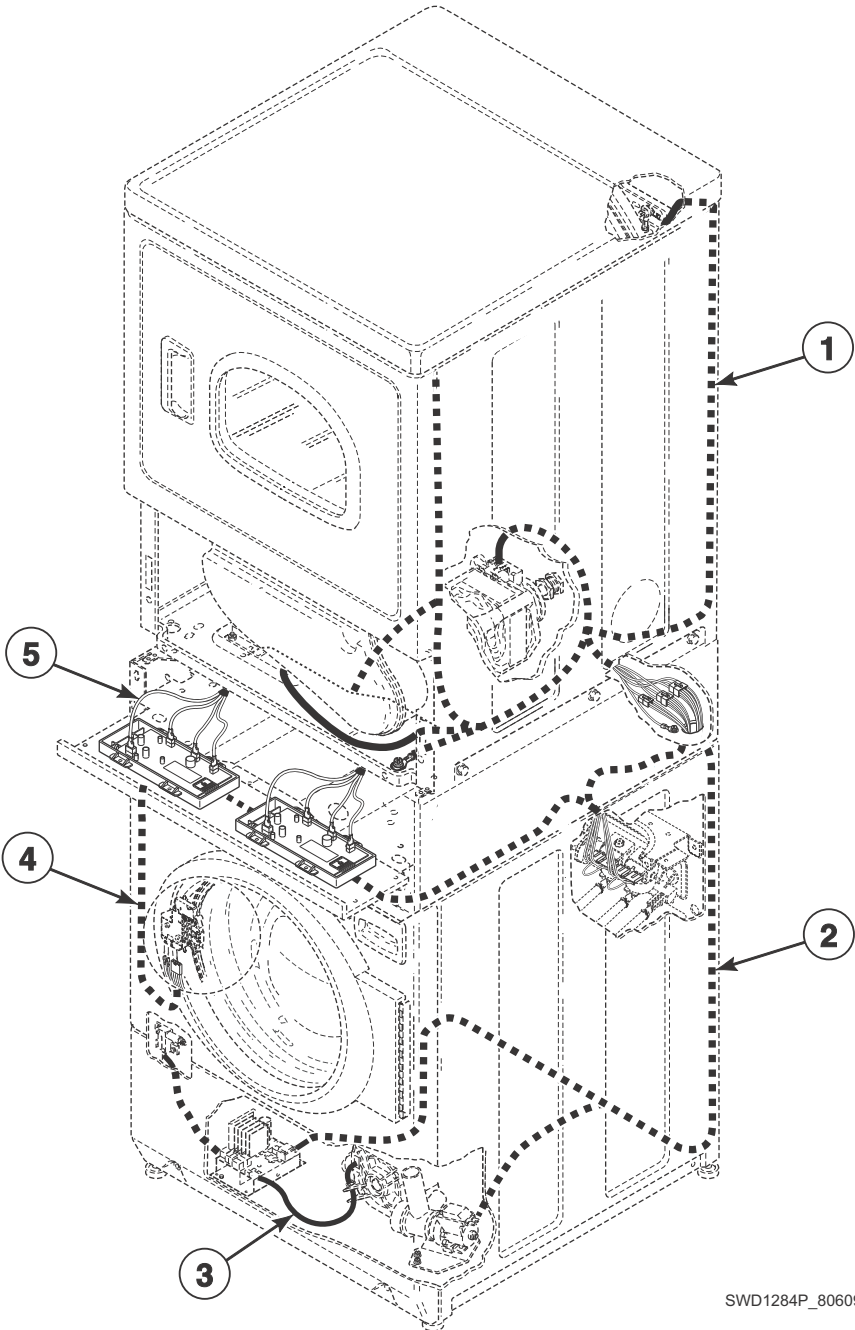


FLW1737P_806093

Shipping Materials

REF	PART NO.	DESCRIPTION	COMMENTS
	800462	Screw	
	803858	Shipping Spacer	
	800624	Washer	
1	804488	Label	Remove shipping brace
2	M400014	Washer	
3	M400043	Screw	
4	804454	Shipping Brace	

Wire Harnesses and Wires



SWD1284P_806093

Wire Harnesses and Wires

REF	PART NO.	DESCRIPTION	COMMENTS
	45001	18 Gauge Wire	Black; Order wire by the foot and terminals as required
	45380	12 Gauge Wire	Orange; Order wire by the foot and terminals as required
	804433	Pressure Sensor Harness	
1	514020	Electric Harness	Dryer; Model ATEE9AGP173TW01
	513971	Gas Harness	Dryer; Model ATGE9AGP113TW01
2	806031	Front Control Harness	Washer
3	806029	Motor Harness	
4	806028	Door Lock Harness Assembly	
5	513991	Security Cabinet Harness	

NOTE: Individual wires are not available separately. Order complete wire harness, or order wire by the foot. When applying terminals to wires, it is recommended that the terminals be soldered to the wires.

Parts Index

A

Access Panel and Guard Assembly 514252W	29
Access Panel Assembly 514250WP	7, 29
Access Panel Plate 510903	45
Adhesive 511637P	33, 35
Air Duct Assembly 510151LG	33
510151W	33
Anchor 155P3	21
Anchor Floor Mount Assembly 802844P	21
Anti-Seize Compound 27604P	15, 31

B

Balance Ring Assembly 804393	15
Ballast Weight 803810	13
Bar Sensor 513737	33
Base Assembly 803876	21
Bearing Housing Kit 805525	15
Blower Fan Assembly 510139P	31
Blower Housing 511969LG	31
511969WP	31
Blower Housing Seal 510238P	31
Booster and Holding Coil 58804A	41
Bracket 510146	45
Bulkhead Assembly 515544W	33
Bumper Pad 36226	21
56128	45
Burner Assembly 510149P	41

C

Cabinet Panel Kit 800004WP	21
Cabinet Rear Panel 514632P	45

Cabinet Side Panel 510001WP	45
510002WP	45
Clamp Ring 803802	13
Clothes Guard Deflector 804467	13
805548	13
Combustion Duct 510131	39
Compartment Cover 803669	9
Control 514567P	5
Control Assembly 805219P	5
Control Overlay 804491	5
Control Panel 803960WP	5
Control Shield 804363	5
Cylinder Assembly 510159WP	33
510265LG	33
510265WP	33
Cylinder Baffle 510102W	33
Cylinder Belt 511255P	31
Cylinder Glide 513710	33
Cylinder Glide Bracket 510145	33
Cylinder Light Lens 512106	33
Cylinder Roller 510708P	35
Cylinder Roller Bracket 510100	35
Cylinder Seal Assembly 510207P	33, 35

D

Detergent Hose 804717	9
Directional Exhaust Kit 528P3	45
Disconnect Power Warning Label 505281	51, 53
Dispenser Assembly 803698	9
Dispenser Drawer 803667	9
Dispenser Handle 804227WP	9
Dispenser Inlet Hose 803849	9, 11

N/A items do not appear in index.

Dispenser Plate 803843	9
Door and Liner Assembly 511636WP	27
Door Assembly 804083WP	7
Door Catch Assembly 510177	29
802803	7
Door Glass 802695P	7
Door Glass Mounting Plate 804239	7
Door Handle Wedge 510129	27
Door Hinge 802934	7
Door Latch Assembly 802317P	7
Door Liner Grill 503870LG	27
503870W	27
Door Lock Harness Assembly 806028	57
Door Pull and Wedge Kit 510103WP	27
515950P	27
Door Seal 804428P	7
Door Seal Assembly 804429P	7
Door Strike 510181	27
Door Strike Mount 510127	27
Drain Base Bracket 803814	19
Drain Hose 803976	19
Drain Hose Bracket 803828	21
Drain Hose Sleeve 33615	19
Drain Pump Assembly 803921P	19
Drain Pump Isolator 803815	19
Drive Belt 804985	17
Drum Light Lamp 60954	33
Dryer Base 514245	45
Dryer Door 510082WP	27
Dryer Door Assembly 514114W	27
Dryer Door Window 503982P	27
Drying Rack 512082P	33

E

Elbow 513072	41
Electric Clearance Label 511005	45, 51
Electric Harness 514020	57
Exhaust Duct 510137	45
Exhaust Warning Label 500497	51
Expansion Clip 70030501	5
Extension Spring 802285	7
Extractor Tool 128P4	49
190P4	49

F

Felt Pad 510189	33
Female Terminal 00188	49
00255	49
00256	49
Flexible Venting Kit 521P3	45
Foam Pad 804875	9
Foreign Object Deflector 806308	13
806313	13
806361	13
Front Bulkhead 513640W	33
513641	33
Front Bulkhead Assembly 515533	33
Front Control Harness 806031	57
Front Panel 510066WP	29
802277WP	7
Front Panel Assembly 513781WP	29
Front Panel Assembly Kit 806505W	7
Front Panel Seal 511056	29

G

Gas Clearance Label 511004	45, 51
Gas Harness 513971	57
Gas Label 505215	51

N/A items do not appear in index.

Gas Valve Assembly 510506P	41
Gas Valve Mounting Bracket 510128	41
Gasket 802427	19
Glass Door Window 513910	27
Glass Mounting Clip 802700	7
Glide Kit RB170003	33
Grommet 29175	13

H

Harness Strap 55881	25
Heat Duct Shroud 510101	39
Heater Assembly 510329P	37
Heater Duct and Screw Assembly 510025P	37, 39
Heater Kit 964P3	37
Heater Kit Assembly 61927	37
Hinge 511036	27
Hinge Hole Plug 510186	29
Hinge Plate 802206	7
Hold Down Kit 526P3	45
Hose Clamp F200204	19
685725	9
802281	7
803891	13
804173	9, 11
Hose Clip 36985	13, 25
800553	13
Hose Stand 38732	19
Housing, 10 Position 500338	49

I

Idler Lever 510133	31
Idler Lever and Wheel Assembly 510158	31
Idler Spring 510185	31
Idler Wheel and Bearing Assembly 510142P	31

Igniter and Bracket Assembly 510184P	41
Inner Basket Assembly 804374P	15
Inner Basket Assembly Kit 804376P	15
Inner Door Bezel 804562	7
Inner Door Bezel Kit 802307P	7
Inverter Control Assembly 803949P	17

L

Label 804488	55
Lead-In Cord 202777	25, 47
Lead-In Pipe Assembly 510204	41
Left Hand Thread Label 685928	53
Leveling Leg 34319	21
510135	45
Lid Assembly 802426P	19
Lifter 804382	15
Light Housing Assembly 512108	33
Limit Thermostat 510701	37
510702	39
Liner and Seal Assembly 510098LG	27
510098W	27
Liner Door Seal 510147P	27
Lint Filter 503980LG	33
503980W	33
Lint Filter Cover 510502LG	33
510502W	33
L.P. Conversion Kit 649P3	41
L.P. Orifice 503786	43
58755	43

M

Mixing Valve 803809	11
Mixing Valve Screen 24122	11
Moisture Sensor Base 513738	33

N/A items do not appear in index.

Motor and Pulley Assembly 511629P	31
Motor and Rod Assembly Kit 805726P	17
Motor Control Shield 804878	17
Motor Harness 806029	57
Motor Hub Ring Kit 590P3	31
Motor Mount 510060	31
Motor Mount Clamp 510180	31
Motor Pulley 500011	31
Motor Rod 803861	17

N

Notice Label 803011	53
Nut	
F430218	13
03673	25
21899	21
23951	7
36020	7
44071201	27
52566	31
56156	31, 35
685846	7
800452	13, 15
802343	13
804418	15
N.G. Conversion Kit 650P3	41
N.G. Orifice	
503778	43
503779	43
503780	43
503781	43

O

O-Ring 802429P	19
Outer Door Bezel 803710WP	7
Outer Tub Assembly 803864	13
Outlet Cover 500820	37, 39
Out-of-Balance Switch Assembly 803415	13
Out-of-Balance Switch Bracket 804457	13
Output Control Assembly 513797P	45
Oversuding Label 802074	53

802838	53
--------------	----

P

Panel Locator 56079	7, 21, 29, 45
Pop Rivet 685847	13
Porcelain Touch-Up Paint 122P4P	21, 45
Pressure Bulb 803837	13
Pressure Sensor 202470	21
Pressure Sensor Harness 804433	57
Pressure Sensor Tube Assembly 804483	13
Pulley Assembly 803974	15
Pulley Bolt Tightening Fixture 802336	23
Pump Housing 802428	19
Pump Housing Assembly 802434P	19

R

Read Instructions Label 513371	53
Rear Access Panel 803998	5
Rear Bulkhead Assembly	
510905WP	35
511082P	35
Rear Panel	
803789	21
803790	21
Remove Door Label 59414	51
Retainer Clip 36014	19
Retaining Ring 23748	31, 35
Roller Kit RB170002	35
Rubber Foot	
34318	21
501855	21

S

Screw	
M400043	15, 55
M400057	17
20530	25, 47
23222	37, 41
31260	31
33562	29
36048	45

N/A items do not appear in index.

39733	7, 21, 29, 45
500226	27
500227	33
500824	31
501086	33
501285	33, 35
501524	17
502535	31
503661	7, 17, 19, 21
503688	5, 29, 31, 33, 35, 37, 39, 41, 45
505295	27
505870	27
514428	45
515597	27
51782	39, 41
56124	41
61199	35
62588	33
685831	15
70240301	5
800461	13
800462	13
800548	7, 9, 15
801001	9
801019	7
801045	7
801993	7
802431	19
802596	13
804399	15
804462	55
804667	5, 45
804699	15
Screw Orifice	
58719	43
Seal Kit	
RB170001	33, 35
Sealant	
27615P	19
Secondary Coil	
58804B	41
Security Cabinet Harness	
513991	57
Sensor	
510213	41
Shaft	
56461P	31, 35
Shield Bracket	
804018	5
Shipping Brace	
804454	55
Shipping Plate	
803851	21
Shipping Plug	
803859	21
Shipping Spacer	
803858	55
Shock Assembly	
803777	13
Side Panel Kit	
806492	21
Speed Clip	
28835	29
Standpipe Strap	
33489	19

Strain Relief	
32219	19
38384	25, 47
Switch	
512973	29

T

Terminal Block Assembly	
510190P	35
Terminal Block Shield	
510237	35
Terminal Extractor Tool	
283P4	49
Thermal Fuse Assembly	
511412	37
Thermistor Assembly	
510523	31
Top Hinge	
510136	45
Top Kit	
510032WP	45
Trunion Shaft Kit	
804405P	15
Tub Front	
803770	13
Tub Front Assembly	
803879	13
Tub Front Seal	
803801	13
Tub-to-Pump Hose	
803829	19

V

Venting Instruction Label	
502791	51

W

Warning Label	
44127701	51
500049	13, 51
500314	53
802367	53
803260	51, 53
Warning/Caution Label	
500281	29, 51
Washer	
M400014	55
M400080	17
M400081	13
M403958	15
02834	17
03815	25
20290	11
26509	45
504082	35
52549	31, 35
800457	15
800464	15

N/A items do not appear in index.

800624	55
802254	11
803615	11
804458	13
Water Hose	
F200116	11
Window Clip	
513958	27
Window Trim	
503981W.....	27
513960W.....	27
Wire Assembly	
510527	37
510528	37
Wire Clamp Ring	
802283	7
Wire Clip	
504034	25
687500	25
Wire Tie	
38663	25
Wire, 12 Gauge	
45380	57
Wire, 18 Gauge	
45001	57
Wrapper Assembly	
804112W	5
Wrench	
392P4.....	23
