

HOSPITALITY SERIES

Drainboard Round Bar/Prep Sink

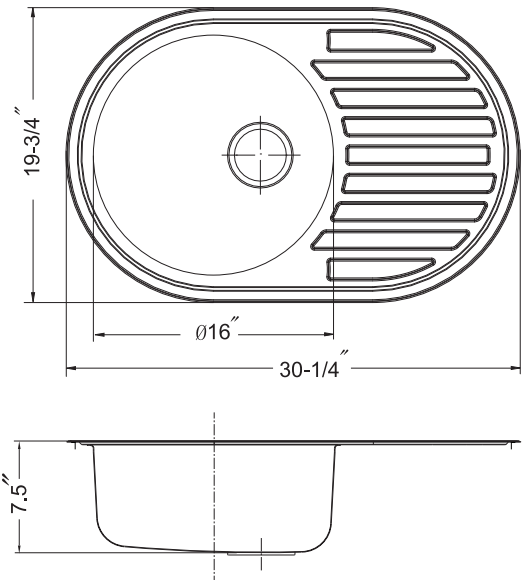
Model SDR-3019



SDR-3019

FEATURES

- Premium grade T-304 stainless steel
- 7-1/2" depth
- 19 gauge
- StoneGuard™ undercoating over Super-Silencer pad
- Hi-polished ledge and satin bowl
- Fits 24" sink base
- 3-1/2" drain opening
- Supplied with fasteners and instructions
- Complies with ASME A112.19.3-2000, UPC®
- Lifetime Limited Warranty



OPTIONAL ACCESSORIES

Strainer: 190-9180

OVERALL DIMENSIONS	EACH BOWL	CUTOUT SIZE	PACKAGING*	WEIGHT*
30-1/4" x 19-3/4"	Ø16"	29-1/2" x 19"	1/16/20 pcs.	17/300/320 lbs.

*Standard packaging: Single boxed /Pallet of single boxed/Pallet of bulk pack.
All dimensions are in inches. Specifications subject to change without notice.

Project/Job name _____

Architect/Engineer _____

Contractor _____

Model _____ Q'ty _____

Notes _____

Installation profile

