

KEY FEATURES

- True Steam™
- QuadWash™
- LoDecibel Quiet Operation (39dB)
- Dynamic Heat Dry with AOD



Control Panel

Blast Zone- Bottle Wash

ThinQ App

PRODUCT FEATURES

CAPACITY		STYLE AND DESIGN	
Total Place Setting	16	Finishes	Printproof™ Stainless Steel, Essence White
Upper Rack Dish Height Limit	7.1" (180mm)	Status Indicators	Floor Time Display
Lower Rack Dish Height Limit	12.5" (320mm)	Remaining Time Indicator	CycleTrack™ Floor Display
RACK AND BASKET		Tub Material	Stainless Steel
Rack grade	Premium	Touch	Yes
Fold Down Tines	Upper: All Foldable Lower: Half Smart FD & Half Normal FD	Control Panel	Top Control (Hidden Display)
Rack Handle/ Deco	Yes (Upper & Lower)	Handle	Iconic Handle
Rack Color (Body)	Dark Gray	Tub Light	Back Light
Rack Color (Tine)	Dark Gray	SMART FEATURES	
Cup Rack/ Stemware Holder	Yes	Wi-Fi Enabled	Yes
Cup Rack Color	Cup Rack (Dark Gray), Rubber (Noble Gray)	ENERGY/ WATER	
StayPut Holder	Yes	Energy Star	Yes
Height Adjustability	Easy One Touch (3 Level)	Most Efficiency	Yes
Cutlery Baskets	Yes	CEE Tier Level	1
3rd Rack	Premium	Energy Use (kWh/year)	220
Gliding Type	Upper & 3rd Rack: Gliding Rail Lower: Gliding Wheel	Water Use (Gallon/Cycle)	2.9
PERFORMANCE		Certification	UL (Safety), NSF (Sani)
Steam	TrueSteam™	DIMENSIONS / CLEARANCES/ WEIGHT	
Lower Wash Arm	QuadWash™	Unit Dimensions (WxDxH)	23 3/4" x 23 3/4" x 33 5/8"
Quad Arm Stainless Steel Deco	Yes	Depth with Door Closed (Handle)	23 3/4"
Quad Arm Body Color	Pearl Dark Gray	Depth with Door Open	48 1/2"
Nozzel Color	Noble Gray	Carton Dimensions (WxDxH)	28 1/32" x 29 5/8" x 34 7/8"
BlastZone™ Bottle Wash	Yes	Clearances (WxDxH)	24" x 24" x 33 5/8"
SenseClean Wash System	Yes	Weight (Unit / Carton)	93lbs/ 104 lbs
Vario Wash	Yes	Container Stuffing Quantity	140
No. of Spray Arms	4 (Top, Upper, Lower, Bottle)	LIMITED WARRANTY	
No of Wash Cycles	5 (Auto, Heavy, Normal, 1-hr, Download Cycle)	Parts and Labor	2 Years
No of Options	5 (Steam, High temp, Dry Boost, Delay Start, Automatic Control Lock, Remote, Wi-Fi)	Control Board and Rack Parts	5 Years
Detergent and Rinse-Aid Dispenser	Yes	Direct Drive Motor	10 Years
Drying System	Dynamic Heat Dry with AOD	UPC CODE	
End of Cycle Indicator	Beeper+END indication on display	SDNTH981S	048231350419
Hidden Water Heater	Yes	SDNTH981E	048231350433
Safety Float Switch (Leaks)	Yes		
Soil (Turbidity) Sensor	Yes		
DirectDrive Motor™	Yes		
LoDecibel Quiet Operation	39dB		
Tub Insulation	Damping Sheet, Sound Absorbing Material (felt), Base		
BPA-Free Nylon Coated Racks and Tines	Yes		
Anti-Bacterial Treatment (Drain hose)	Yes		
Balanced Door	Yes		

SDNTH981_

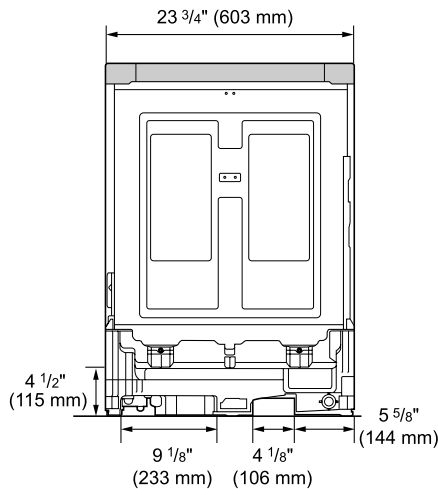
LG SIGNATURE Dishwasher

QUICK INSTALL & CLEARANCES

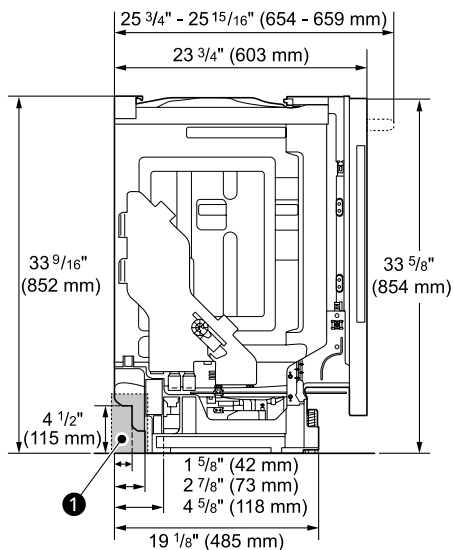
For full installation directions/clearances please refer to the corresponding User Manual and Installation Guide.

PRODUCT DIMENSIONS

Back View



Side View



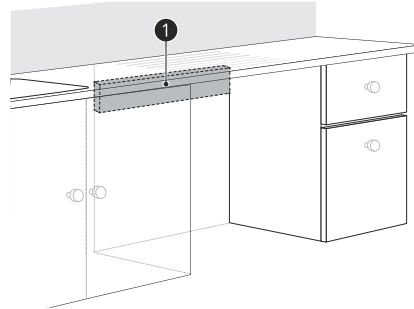
For easiest installation, see marked areas ❶ for water and electrical clearances in base of dishwasher. Water supply hose, drain hose and electric cable should be passed through this area

INSTALLATION

Preparing Cabinet Opening

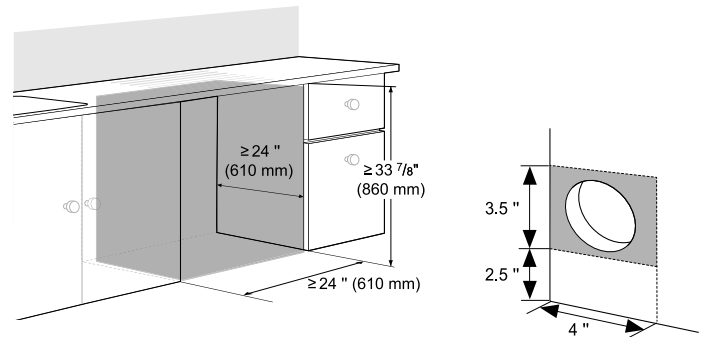
This dishwasher is designed to fit a standard dishwasher opening. An opening may be needed on both sides to route plumbing and electrical connections.

- To ensure proper drainage, install the dishwasher no more than 12 ft. (3.65 m) from the sink.
- The location must have sufficient space for the dishwasher door to open easily and provide at least 0.1" (2 mm) between the dishwasher and the cabinet sides.
- If installing the dishwasher in a corner, leave a minimum of 2" (50 mm) between the dishwasher and the adjacent wall.
- The adjacent wall must be free of obstructions.
- For flush installations only, you may remove the cabinet brace ❶ inside the cabinet.



Choosing the Proper Location

1. Select a location as close to the sink as possible for easy connections to water supply line, drain hose and electrical connection.
2. To allow for proper clearance of plumbing and electrical, use the template included with the literature to determine the clearance on the side of the cabinet where the cabinet meets the back wall. Using a $2 \frac{1}{2}$ " diameter hole saw, drill a hole in the target area as shown.



⚠ Warning

- The opening must be at least $2 \frac{1}{2}$ " (63.5 mm) in diameter to prevent damage to the cables and hoses during installation.
- Installation damage is not covered by the warranty, and leaks caused by improper installation may result in property damage.
- Do not use existing holes unless they are in the target area.
- Failure to properly locate the hole for the water and drain lines may prevent the dishwasher from installing flush with the cabinets and could result in kinked, pinched, crushed, stressed or damaged lines.