

## HOSPITALITY SERIES

### Drainboard Bar/Prep Sink with Ledge Model SDM-3018



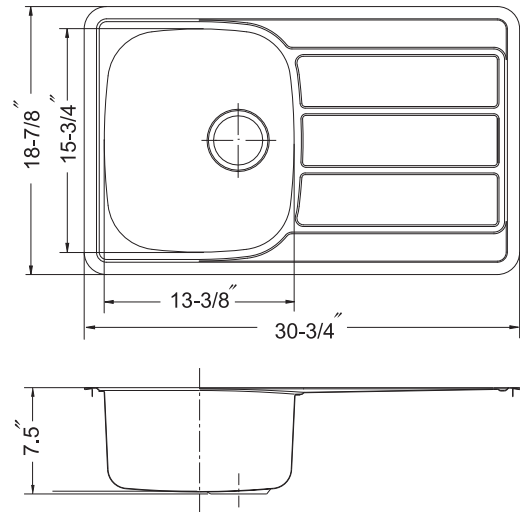
SDM-3018

### FEATURES

- Premium grade T-304 stainless steel
- 7-1/2" depth
- 20 gauge
- StoneGuard™ undercoating over Super-Silencer pad
- Hi-polished ledge and satin bowl
- Fits 24" sink base
- 3-1/2" drain opening
- Supplied with fasteners and instructions
- Complies with ASME A112.19.3-2000, UPC®
- Lifetime Limited Warranty



ASME A112.19.3-2000



### OPTIONAL ACCESSORIES

Strainer: 190-9180

OVERALL DIMENSIONS	EACH BOWL	CUTOUT SIZE	PACKAGING*	WEIGHT*
30-3/4" x 18-7/8"	13-3/8" x 15-3/4"	30" x 18-1/8"	1/16/20 pcs.	17/300/320 lbs.

\*Standard packaging: Single boxed /Pallet of single boxed/Pallet of bulk pack.  
All dimensions are in inches. Specifications subject to change without notice.

Project/Job name \_\_\_\_\_

Architect/Engineer \_\_\_\_\_

Contractor \_\_\_\_\_

Model \_\_\_\_\_ Q'ty \_\_\_\_\_

Notes \_\_\_\_\_

### Installation profile

