

SCFF51OS

34.0" x 23.63" x 23.5" (H x W x D)

Frost-free outdoor all-freezer for built-in or freestanding use with black cabinet, stainless steel door, digital thermostat, LED lighting, and lock

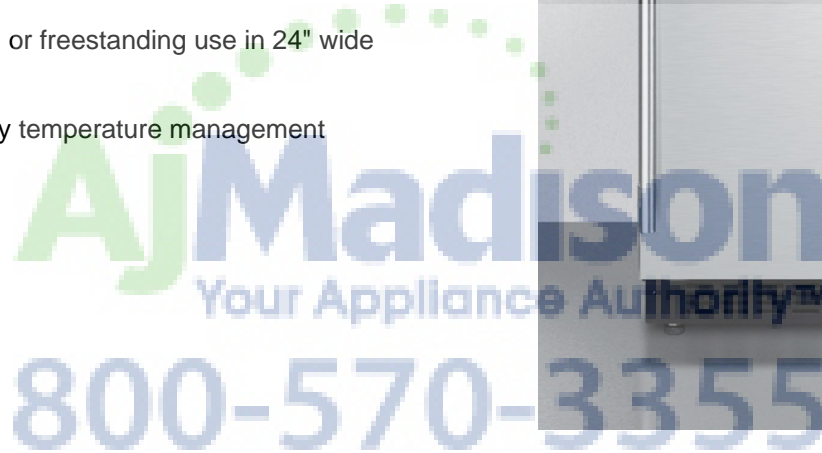
Highlights:

Weatherproof construction for use in the outdoors

True frost-free operation saves you maintenance by preventing icy buildup

Flexible design allows built-in or freestanding use in 24" wide spaces

Digital thermostat allows easy temperature management



U.L. approved for outdoor use

Weatherproof design rated safe for outdoor operation

Frost-free operation

No-frost convenience eliminates the need to manually defrost the unit

Built-in capable

Make the best use of space by installing your freezer under the counter and flush with other cabinets

Fully finished cabinet

Allows the freezer to be used as a freestanding model

Digital thermostat

Electronic controls offer easy and intuitive temperature management

Recessed LED light

Elegant lighting with an on/off switch located on the control panel

Reversible door

User reversible door swing for added placement flexibility

Adjustable shelves

Rearrange your freezer space to accommodate all shapes and sizes or remove shelves for a simple clean-up

Factory installed lock

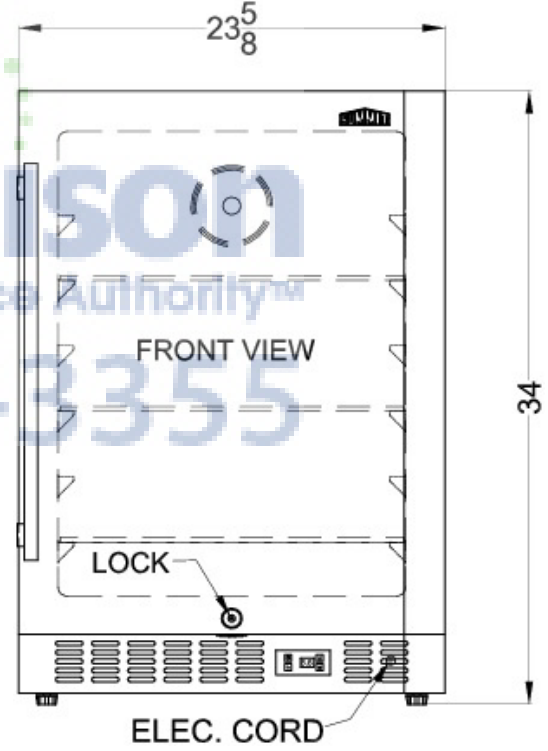
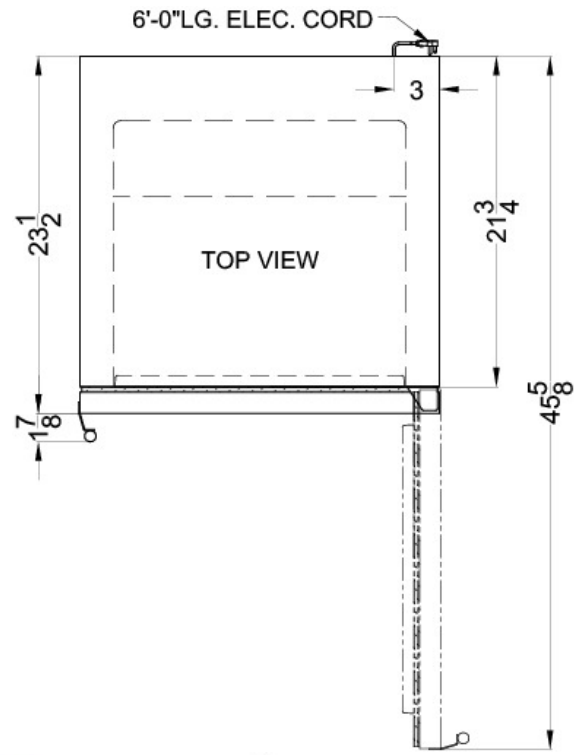
Keyed lock for a secure interior

Professional handle

Attractive chrome handle adds a touch of modern style

SCFF510S Specifications:

Height	34.0"
Width	23.63"
Depth	23.5"
Capacity	4.72 cu.ft.
Ext Depth with Handle	25.35"
Shipping Weight	98.0 lbs.
Weight	88.0 lbs.
Energy Usage/Year	410.0 kWh/year
Amps	2.0
Canadian Electrical Safety	ETL-C
US Electrical Safety	ETL
Voltage/Frequency	115 V AC/60 Hz
Reversible	Yes
Door Swing	RHD
Shelf Quantity	3
Adjustable Shelf	true
Shelf Type	Chrome
Defrost Type	Frost-Free
Depth with door at 90°	45.63"
Fan Type	Interior and Exterior
Thermostat Type	Digital
Light	true
Refrigerant Type	R134a
Freon Oz	2.8
Low Side PSI	106.0
High Side PSI	270.0
Compressor Warranty	5 Years
Parts/Labor Warranty	1 Year
Sanitation	ETL-S





 Your Appliance Authority™

 800-570-8355

Summit Appliance Division, Felix Storch, Inc.
 770 Garrison Ave • Bronx, NY 10474
 Phone: 718-893-3900 • Fax: 718-842-3093
 Email: info@summitappliance.com