



# Waste Disposer

## SC05DISPC1

1/2 Horsepower  
Corded



### Features

Horsepower	1/2
Motor RPM	2600
Capacity	29.8 oz (880ml)
Impellers	Stainless Steel Jam-Resistant Dual Impellers
Mounting Type	3-Bolt
Turntable Material	Stainless Steel
Grind Ring Material	Stainless Steel
Feed Type	Continuous
Controls	Wall Switch
Sound Shell	Partial
Splash Guard	Removable
Motor Type	High-Torque Permanent Magnet
Sink Stopper	Yes
Manual Overload Protect	Yes
Drain Outlet Diameter	1-1/2"
Drain Connector	Yes
Drain Elbow	Yes
Warranty	4 Years <sup>1</sup>

### Specifications

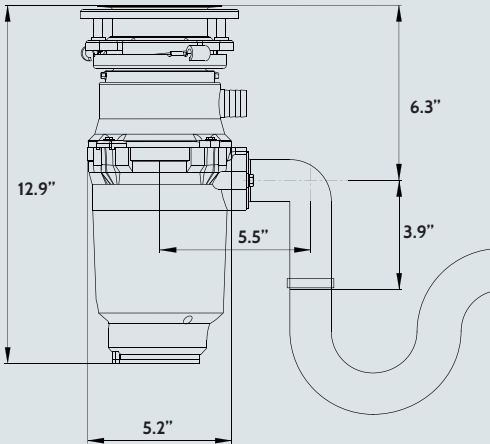
Amps @ 120 Volts	4.5
Wiring Requirements	Corded
Voltage Rating	120V, 60Hz
Exterior Styling	Shell

### Accessories

Sink Flange Kit	Stainless Steel
-----------------	-----------------

<sup>1</sup>See warranty for complete details.

### Product Dimensions



Specifications subject to change.

## Signature Features

### TORQUE MASTER® Balanced Grinding System



A combination of computer designed and balanced components working in unison to provide superior torque grind speed and long system life.

### 3-Bolt Mounting System

Compact, lightweight design fits 90% of existing sink mounts for quick installation.

### Removable Splash Guard

Removable splash guard, ideal for easy cleaning and replacement.

### Permanent Magnet Motor

Maximum torque instantly with the power to cut through potential jams.

### 4-Year Limited Warranty

See warranty for complete details. LIFETIME warranty against failure due to corrosion.

### Attached Power Cord

Ready to plug in.

Distributed by Electrolux Home Products, Inc.  
10200 David Taylor Drive  
Charlotte, NC 28262  
The Torque Master® name & logo is a registered trademark of Joneca Corporation.