

SBC635M

49.0" x 23.63" x 25.0" (H x W x D)

Freestanding residential beer dispenser, auto defrost with digital thermostat and black exterior finish

Highlights:

- Full-sized capacity to hold half, quarter, 1/6 or mini kegs
- Includes everything you need to pour the perfect draft
- Digital thermostat lets you set the perfect temperature for any brew
- Automatic defrost ensures minimum user maintenance

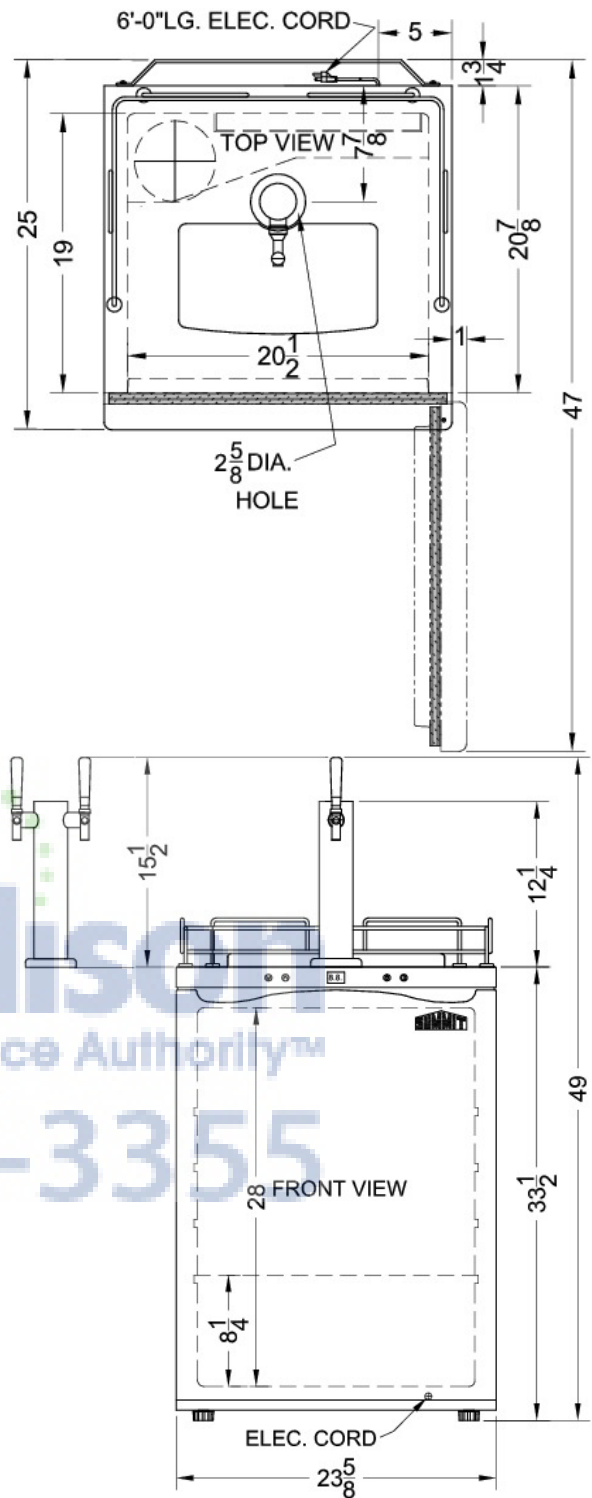



AjMadison
Your Appliance Authority™
800-570-3355

Full-sized beer dispenser	Large 5.7 cu.ft. interior accepts half, quarter, and mini kegs
Tap Kit	Includes a 5 lb. CO2 tank and regulator, draft arm, Sankey American tap, and connection hardware
Automatic defrost	Reduced user maintenance with auto defrost operation
Digital thermostat	Electronic controls ensure easy temperature management, with an external readout in Celsius or Fahrenheit
Ideal beer temperature	Operates between 33° and 50°F to keep a variety of beers stored at just the right serving temperature
Fully finished black cabinet	Allows the beer dispenser to be used freestanding
Reversible door	User-reversible door swing for added flexibility
Casters included (ships unassembled)	To make the beer dispenser portable, install this set of 2 1/2" high locking casters
Top guard rail (ships unassembled)	Attractive chrome guard rail helps to reduce spills and neaten service
Stainless steel floor cover	Interior includes steel cover to protect the floor when loading kegs

SBC635M Specifications:

Height	49.0"
Width	23.63"
Depth	25.0"
Capacity	5.6 cu.ft.
Interior Height 1	28.0"
Interior Width 1	20.5"
Interior Depth 1	19.0"
Comp Step Height	8.25"
Shipping Weight	100.0 lbs.
Weight	80.0 lbs.
Voltage/Frequency	115 V AC/60 Hz
Amps	0.86
Energy Usage/Year	310.0 kWh/year
US Electrical Safety	UL
Canadian Electrical Safety	ULC
Reversible	Yes
Door Swing	RHD
Wheel Quantity	4
Defrost Type	Automatic
Temperature Range	33° to 50° F
Depth with door at 90°	47.0"
Thermostat Type	Digital
Freon Oz	1.13
Low Side PSI	110.0
Refrigerant Type	R600a
High Side PSI	250.0
Compressor Warranty	5 Years
Parts/Labor Warranty	1 Year




 Your Appliance Authority™
 800-570-3355

Summit Appliance Division, Felix Storch, Inc.
 770 Garrison Ave • Bronx, NY 10474
 Phone: 718-893-3900 • Fax: 718-842-3093
 Email: info@summitappliance.com