

## SBC635MBISSTB

33.5" x 24.0" x 25.38" (H x W x D)

Built-in residential beer dispenser, auto defrost with digital thermostat, stainless steel door, towel bar handle, and black cabinet

### Highlights:

Full-sized capacity to hold half, quarter, 1/6 or mini kegs

Designed for built-in installation under the counter

Includes everything you need to pour the perfect draft

Stainless steel door with towel bar handle brings modern luxury to any setting



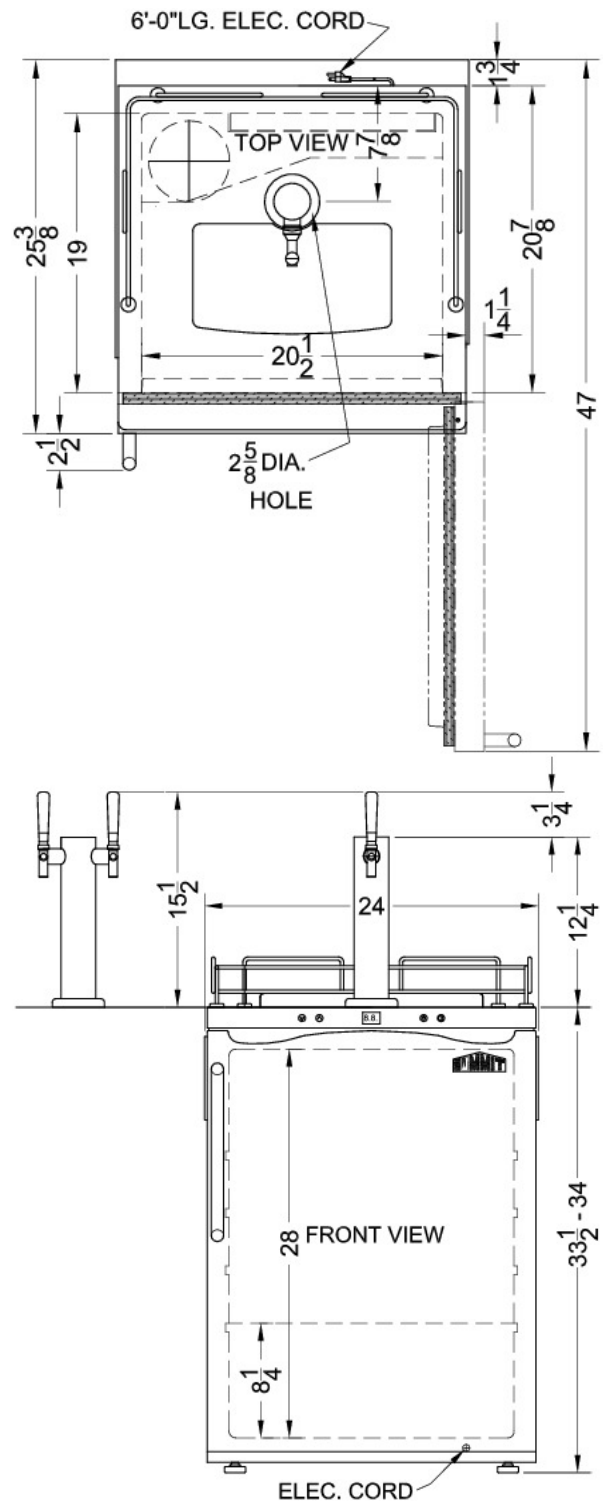
Full-sized beer dispenser	Large 5.6 cu.ft. interior can accept a full half barrel keg, two 1/6 barrel kegs, or a pony keg
Built-in capable	Make the best use of space by installing your appliance under the counter; NOTE: if installing flush with wall or cabinets, unit will require extra space due to the door design. Width should be 25" to 25 1/4". For more information, see the user manual
Tap Kit	Includes a 5 lb. CO2 tank and regulator, draft arm, Sankey American tap, and connection hardware
Stainless steel wrapped door	Durable design with lasting elegance
Professional towel bar handle	Curved handle in brushed stainless steel offers a sturdy grip with professional elegance
Automatic defrost	Reduced user maintenance with auto defrost operation
Digital thermostat	Electronic controls ensure easy temperature management, with an external readout in Celsius or Fahrenheit
Ideal beer temperature	Operates between 33° and 50°F to keep a variety of beers stored at just the right serving temperature
Fully finished black cabinet	Allows the beer dispenser to be used freestanding

Casters  
included (ship  
unassembled)

To make the beer dispenser portable, install this set of 2 1/2" high locking casters

# SBC635MBISSTB Specifications:

Height	33.5"
Width	24.0"
Depth	25.38"
Capacity	5.6 cu.ft.
Ext Depth with Handle	27.88"
Interior Height 1	28.0"
Interior Width 1	20.5"
Interior Depth 1	19.0"
Comp Step Height	8.25"
Shipping Weight	140.0 lbs.
Weight	110.0 lbs.
Energy Usage/Year	310.0 kWh/year
Amps	0.86
Voltage/Frequency	115 V AC/60 Hz
Canadian Electrical Safety	ULC
US Electrical Safety	UL
Reversible	Factory Reversible
Door Swing	RHD
Defrost Type	Automatic
Temperature Range	33° to 50° F
Depth with door at 90°	47.0"
Thermostat Type	Digital
Fan Type	Exterior
Low Side PSI	110.0
Refrigerant Type	R600a
Level Legs Quantity	4
Freon Oz	1.13
High Side PSI	250.0
Compressor Warranty	5 Years
Parts/Labor Warranty	1 Year



Summit Appliance Division, Felix Storch, Inc.  
 770 Garrison Ave • Bronx, NY 10474  
 Phone: 718-893-3900 • Fax: 718-842-3093  
 Email: info@summitappliance.com