

SBC490BI Series

34.5" x 23.63" x 24.88" (H x W x D)

Full-sized built-in beer dispensers for undercounter home use, in a variety of cabinet finishes and tap options

Highlights:

Flexible design allows built-in or freestanding use

Available in a range of styles including black, brass, and stainless steel

Converts to a refrigerator for added convenience

Accepts half, quarter, and mini kegs of your favorite brew

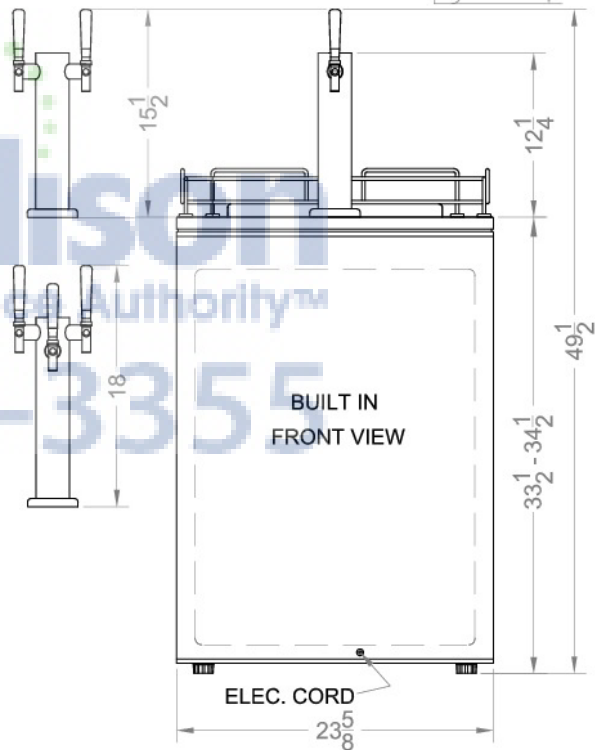
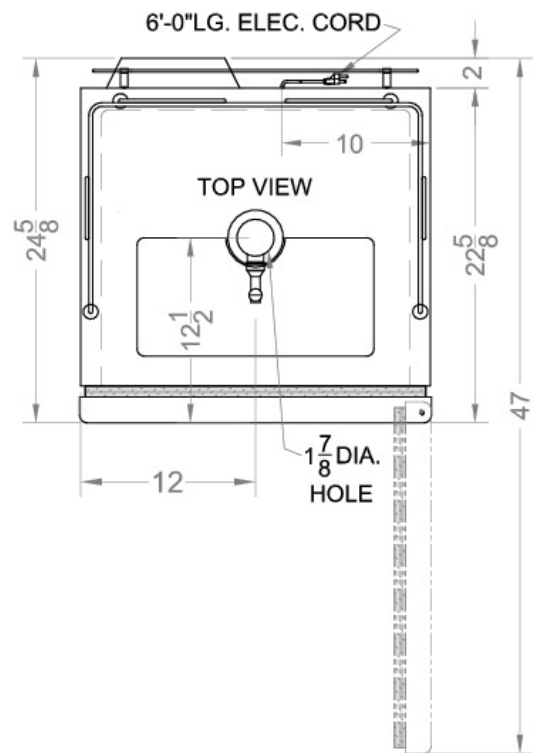


AjMadison
Your Appliance Authority™
800-570-3355

Built-in capable	Make the best use of space by installing your beer dispenser under the counter and flush with other cabinets
Fully finished cabinet	Allows the beer dispenser to be used freestanding
Full-sized	Large interior accepts half, quarter, and mini (pony) kegs
Slim undercounter dimensions	Fits in 24 1/2 inch spaces
KIT 490 included	Includes a 5lb. CO2 tank and regulator, draft arm, Sankey American tap, connection hardware, and cleaning kit
No kit option	Choose "NK" models if you want to purchase dispensing equipment separately
Convertible to a refrigerator	Transform the beer cooler into a standard refrigerator with adjustable shelves
Automatic defrost	Reduced user maintenance with auto defrost operation
Adjustable thermostat	Manage the interior temperature with ease and accuracy
Brass finish available	Choose a bold brass door with models ending in suffix "BRS"

Specifications:

Height	34.5"
Width	23.63"
Depth	24.88"
Capacity	6.4 cu.ft.
Interior Height 1	29.0"
Interior Width 1	21.25"
Interior Depth 1	18.75"
Shipping Weight	152.0 lbs.
Voltage/Frequency	115 V AC/60 Hz
Amps	1.7
Energy Usage/Year	418.0 kWh/year
US Electrical Safety	UL
Canadian Electrical Safety	ULC
Reversible	No
Door Swing	RHD
Shelf Quantity	2
Shelf Type	Wire
Defrost Type	Automatic
Depth with door at 90°	47.0"
Thermostat Type	Dial
Fan Type	Exterior
High Side PSI	280.0
Level Legs Quantity	4
Low Side PSI	88.0
Freon Type	R134a
Freon Oz	2.1
Parts/Labor Warranty	1 Year
Compressor Warranty	5 Years



AjMadison
Your Appliance Authority™
800-570-3355

Summit Appliance Division, Felix Storch, Inc.
770 Garrison Ave • Bronx, NY 10474
Phone: 718-893-3900 • Fax: 718-842-3093
Email: info@summitappliance.com