



S9GMXU

Free-Standing Dual Fuel Range, 36",
Stainless Steel

EAN13: 8017709174378

Exclusive professional style

Sturdy American control knobs

4" Polished stainless steel backsplash

MULTIFUNCTION ELECTRIC OVEN:

8 cooking modes

Electronic clock with program feature

Air cooled double glazed removable door

"Ever-clean" enamelled oven interior

4 Shelf positions

2 x Oven lights

Oven capacity: 4.4 Cu. Ft

Bake element: 2000W at 240V

Broil element: 3300W at 240V

Convection element: 3700W at 240V

GAS RANGE TOP:

Heavy duty cast iron grates

Full width grates

Sealed burners

Automatic electronic ignition

Safety valves

LP Gas conversion kit included

5 GAS BURNERS:

Front right: 3,500 BTU

Back right: 6,500 BTU

Center: 12,000 BTU

Front left: 9,000 BTU

Back left: 6,500 BTU

OPERATION

Connected load nominal power 240-120V

Amp supply 15 Amp

ACCESSORIES INCLUDED:



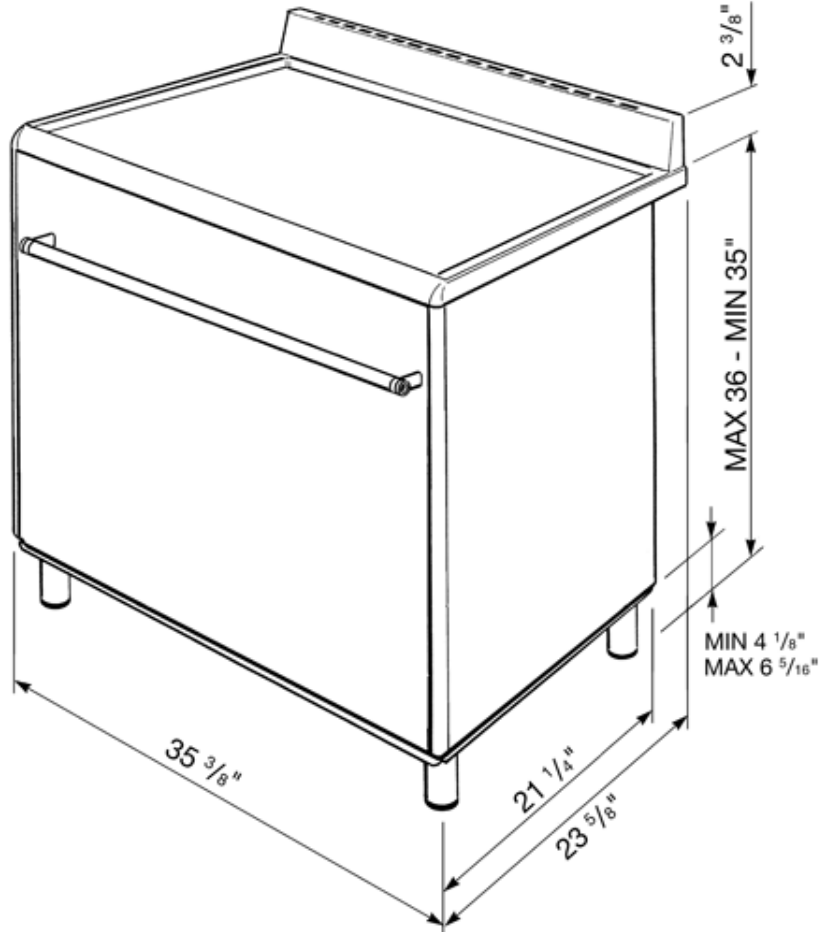
- 1 Baking tray
- 2 Chrome shelves
- 1 Moka ring

**SMEG U.S.A. INC.
A&D BUILDING
150 EAST 58th STREET, 7th FLOOR
NEW YORK, NY, 10155
Tel. +1 212 265 5378
Fax +1 212 265 5945**



S9GMXU

36"
stainless steel
cooktops type: gas
oven type: electric multifunction



SMEG U.S.A. INC.
A&D BUILDING
150 EAST 58th STREET, 7th FLOOR
NEW YORK, NY, 10155
Tel. +1 212 265 5378
Fax +1 212 265 5945