



Buy it for looks. Buy it for life.®

# Specifications

## FACUET DESCRIPTION

- Metal construction with various finishes identified by suffix.
- 3/8" compression inlet connection
- Compatible with S5500 Filtering System

## OPERATION

- Lever style handle
- Will operate with less than 5 lbs. of force


## FLOW

- Flow is limited to 1.5 gpm

## CARTRIDGE

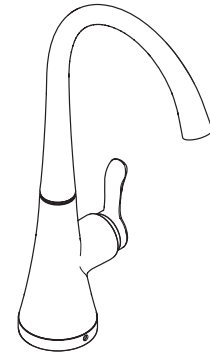
- 1234 Duralast™ cartridge

## STANDARDS

- Third party certified to ASME A112.18.1/CSA B-125.1 and all applicable requirements referenced therein including NSF 61/9
- Contains no more than 0.25% weighted average lead content
- Complies with California Proposition 65 and with the Federal Safe Drinking Water Act
- Meets CalGreen and Georgia SB370 requirements
- **ADA**  for lever handle

## WARRANTY

- Lifetime limited warranty against leaks, drips and finish defects to the original consumer purchaser
- 5 year warranty if used in commercial installations

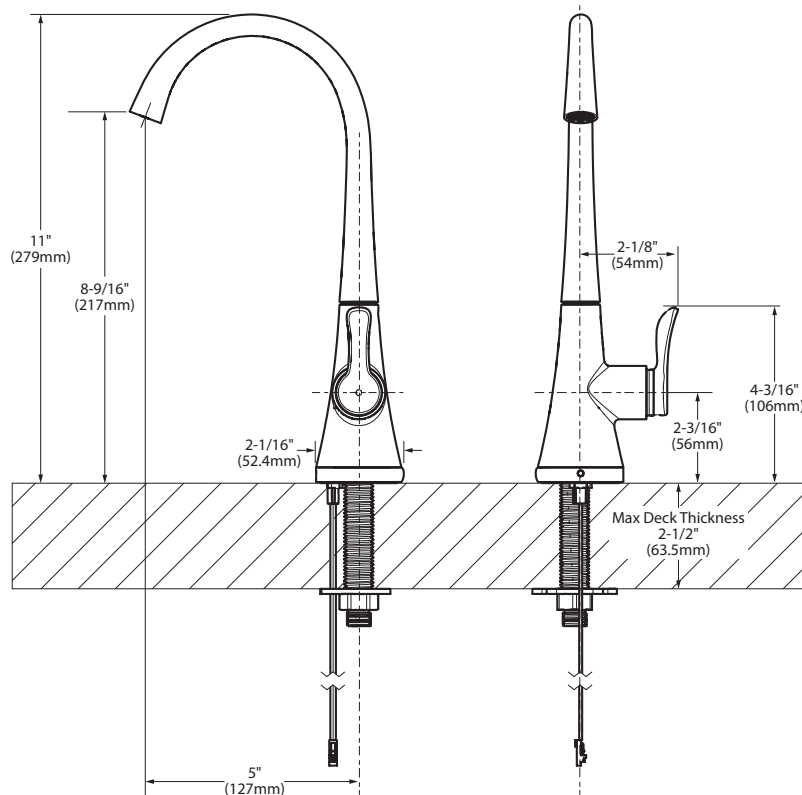


**SIP™**

**Transitional Beverage Faucet**

**Models: S5520 Series**

**NOTE:** DESIGNED TO INSTALL THROUGH 1 HOLE, 1" (25MM) MIN. DIA.



## CRITICAL DIMENSIONS

(DO NOT SCALE)