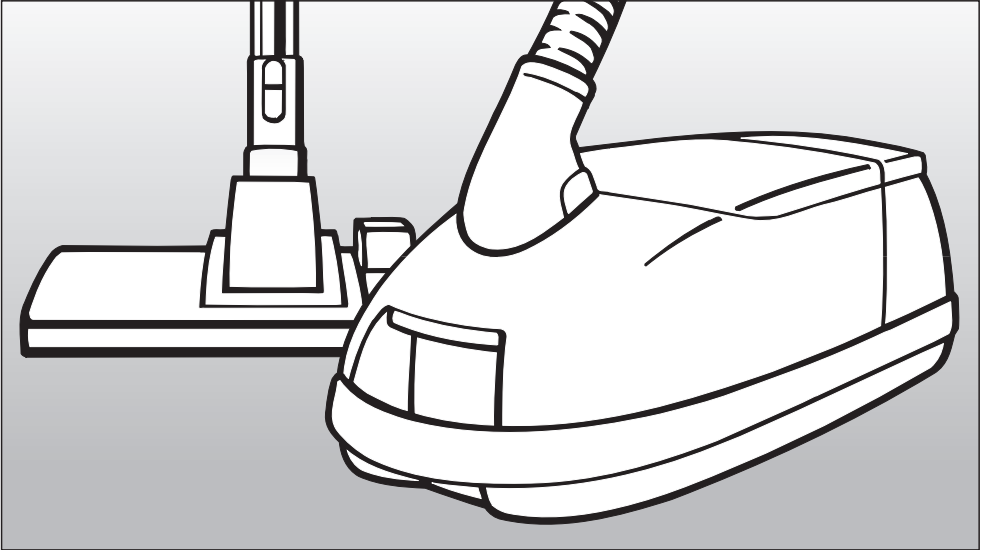


# Miele

## Operating Instructions



### Vacuum Cleaner

S 500 - S 548

S 600 - S 648

To prevent accidents  
and machine damage,  
read these instructions  
**before** installation and use.

HS05  
HS06

en - US, CA

M.-Nr. 07 319 300



<b>IMPORTANT SAFETY INSTRUCTIONS</b> . . . . .	4
<b>Guide to the vacuum cleaner</b> . . . . .	8
<b>Before using for the first time</b> . . . . .	10
<b>Included accessories</b> . . . . .	13
<b>Using the included accessories</b> . . . . .	15
Crevice nozzle . . . . .	15
Crevice nozzle extension . . . . .	15
Dusting brush . . . . .	16
Upholstery nozzle . . . . .	16
<b>Operation</b> . . . . .	17
Power cord . . . . .	17
Auto-reverse . . . . .	17
Turning the vacuum on and off . . . . .	18
Adjusting the suction . . . . .	19
Blower connection socket . . . . .	23
<b>Transportation and storage</b> . . . . .	24
<b>Maintenance and care</b> . . . . .	25
Purchasing new dustbags and filters . . . . .	25
When to change the dustbag . . . . .	26
Replacing the dustbag . . . . .	27
Replacing the exhaust filter . . . . .	28
Exhaust filter change indicator . . . . .	29
Replacing the "SUPER air clean" filter . . . . .	30
Replacing the "ACTIVE air clean" filter and the "ACTIVE HEPA" filter . . . . .	31
Replacing one type of filter with another . . . . .	32
When to change the dust compartment filter (motor protection) . . . . .	33
Replacing the dust compartment filter (motor protection) . . . . .	33
When to change the thread catcher pads . . . . .	34
Servicing the floor roller . . . . .	34
<b>Cleaning and care</b> . . . . .	35
<b>Frequently asked questions</b> . . . . .	36
<b>Technical Service</b> . . . . .	37
<b>Optional accessories</b> . . . . .	38
<b>Caring for the environment</b> . . . . .	44

# IMPORTANT SAFETY INSTRUCTIONS

---

When using an electrical appliance, basic precautions should always be followed, including the following:

## READ ALL INSTRUCTIONS BEFORE USING THIS APPLIANCE

**The manufacturer cannot be held responsible for any damage caused by non-compliance of these Important Safety Instructions.**

### **WARNING-**

**To reduce the risk of fire, electric shock or injury:**

#### **Before using**

▶ Check the voltage rating of the vacuum cleaner before connecting the power cord to an electrical outlet. Your power source should correspond with the voltage rating plate located on the underside of the vacuum. Use only household AC outlets. Never use DC power sources. If you are not sure of your home's voltage supply, consult a qualified electrician. Connecting the vacuum cleaner to a higher voltage than indicated in these instructions may result in damage to the vacuum cleaner or injury.

▶ To reduce the risk of electric shock, this appliance has a polarized plug (one blade is wider than the other.) This plug will fit in a polarized outlet only one way. If the plug does not fit fully in the outlet, reverse the plug. If it still does not fit, contact a qualified electrician to install the proper outlet. Do not alter the plug in any way.

▶ A damaged vacuum cleaner can be dangerous. Check the packaging, vacuum cleaner and accessories for any signs of damage. Do not use a damaged appliance.

▶ Do not use with a damaged cord or plug. If the appliance is not working as it should, has been dropped, damaged, left outdoors or submerged in water, bring it to a service center.

▶ The electrical outlet must be fitted with a 15 A fuse.

# IMPORTANT SAFETY INSTRUCTIONS

---

## Use

- ▶ Do not use on people or animals.
- ▶ Do not use outdoors or on wet surfaces. Only **dry** surfaces should be vacuumed.
- ▶ Use only as described in this manual with recommended accessories.
- ▶ The manufacturer cannot be held responsible for damage caused by non-compliance with these Important Safety Instructions. This appliance is intended strictly for household use only.
- ▶ Do not allow the vacuum cleaner to be used as a toy. Close attention is necessary when used near children.
- ▶ Never use the vacuum cleaner without the dustbag or filters in place. Otherwise it could be damaged.
- ▶ If a dustbag is not inserted, the dust compartment lid will not close. Do not force it shut.
- ▶ Do not leave the vacuum plugged in. Unplug it from the outlet when not in use and before servicing.
- ▶ On the underside of the vacuum handpiece is a metal insert designed to absorb static electricity. Please make certain that your hand remains around this metal insert when vacuuming.
- ▶ Persons which lack physical, sensory or mental abilities or experience with the machine should not use it without supervision or instruction by a responsible person.
- ▶ Unwind the cord completely to aid the vacuum cleaner in dissipating heat.
- ▶ This vacuum should not be used to entrap or retain any hazardous materials.
- ▶ Do not use the vacuum cleaner to pick up liquids or damp dirt. This could impair the electrical safety of the vacuum cleaner. Wait for freshly shampooed carpets to dry.
- ▶ Do not vacuum anything that is burning or smoking such as cigarettes, matches or hot ashes. The vacuum cleaner could catch fire.
- ▶ Do not vacuum toner dust. Toner, such as that used in printers and photocopiers can conduct electricity.
- ▶ Do not use to pick up any flammable or combustible liquids, such as gasoline, or use in areas where they may be present. The vacuum cleaner could explode.
- ▶ Do not vacuum up items which are heavy, hard or have sharp edges. They could cause a blockage and damage the appliance.
- ▶ Do not pull or carry by the cord, use the cord as a handle, close a door on the cord, or pull the cord around sharp edges or corners. Do not run the appliance over the cord. Keep the cord away from heated surfaces.

# IMPORTANT SAFETY INSTRUCTIONS

---

▶ Do not unplug by pulling on the cord. To unplug, grasp the plug, not the cord.

▶ Do not handle the plug or vacuum with wet hands.

▶ Keep the power cord, hair, loose clothing, fingers and all parts of the body away from openings and moving parts.

▶ Do not place anything into the openings of the vacuum cleaner. Do not use if any openings are blocked; keep them free of dust, lint, hair, or anything that may reduce air flow.

▶ This appliance is equipped with a power cord reel. Hold plug when rewinding onto cord reel. Do not allow plug to whip when rewinding.

▶ Turn off all controls before unplugging.

▶ Use extra care when cleaning on stairs.

▶ Floor attachments, accessories and wands must not be used at head level to avoid injury to eyes and ears.

▶ Monitor the dustbag change indicator and inspect all filters regularly. For best performance, the dustbag and filters should be replaced when necessary. A full bag or blocked filter will reduce the vacuum cleaner's suction power. A temperature limiter automatically switches the vacuum cleaner off if it gets too hot, see "Frequently asked questions".

## Using accessories

▶ The hose and the telescopic wand contain electrical wires. Do not use the vacuum cleaner if these parts are damaged, cut or punctured. Avoid picking up sharp objects. Danger of electric shock!

▶ Unplug the vacuum when changing accessories, especially the Turbobrush, and Powerbrush.

▶ To avoid the risk of injury when vacuuming with a Miele Power or Turbobrush do not touch the rotating roller brush. Danger of injury.

# IMPORTANT SAFETY INSTRUCTIONS

---

▶ The socket on the vacuum cleaner (depending on model) must only be used for the Miele Powerbrush specified for use with this appliance.

▶ Danger of injury. The Miele Powerbrush is a motor driven accessory for use only with Miele vacuum cleaners. The vacuum cleaner must not be used with another manufacturer's powerbrush.

▶ Do not use the vacuum cleaner without an accessory attached. The rim could be damaged and injuries could result from sharp edges.

▶ Miele dust bags are disposable and intended to be used only once. Do not attempt to reuse. An over stuffed dustbag will reduce the efficiency of the vacuum cleaner.

▶ Only use genuine Miele dustbags with the Miele quality signet and original Miele filters and accessories. Only then will the manufacturer guarantee its safety.

## Cleaning, maintenance and repairs

▶ Turn the vacuum cleaner off after each use and before every cleaning / maintenance. Pull the plug from the outlet.

▶ Never submerge the vacuum cleaner in water. Clean only with a dry cloth or slightly damp cloth when disconnected from the mains supply. If moisture gets into the appliance there is a risk of electric shock.

▶ The electro-suction hose and the telescopic wand contain electrical wires. The plug connectors must not come in contact with water. These items may only be cleaned with a dry cloth, no moisture can touch them. Danger of electric shock.

▶ Repairs must only be performed by an authorized service agent in accordance with national and local safety regulations. Unauthorized repairs could cause injury or machine damage. The manufacturer cannot be held responsible for unauthorized work.

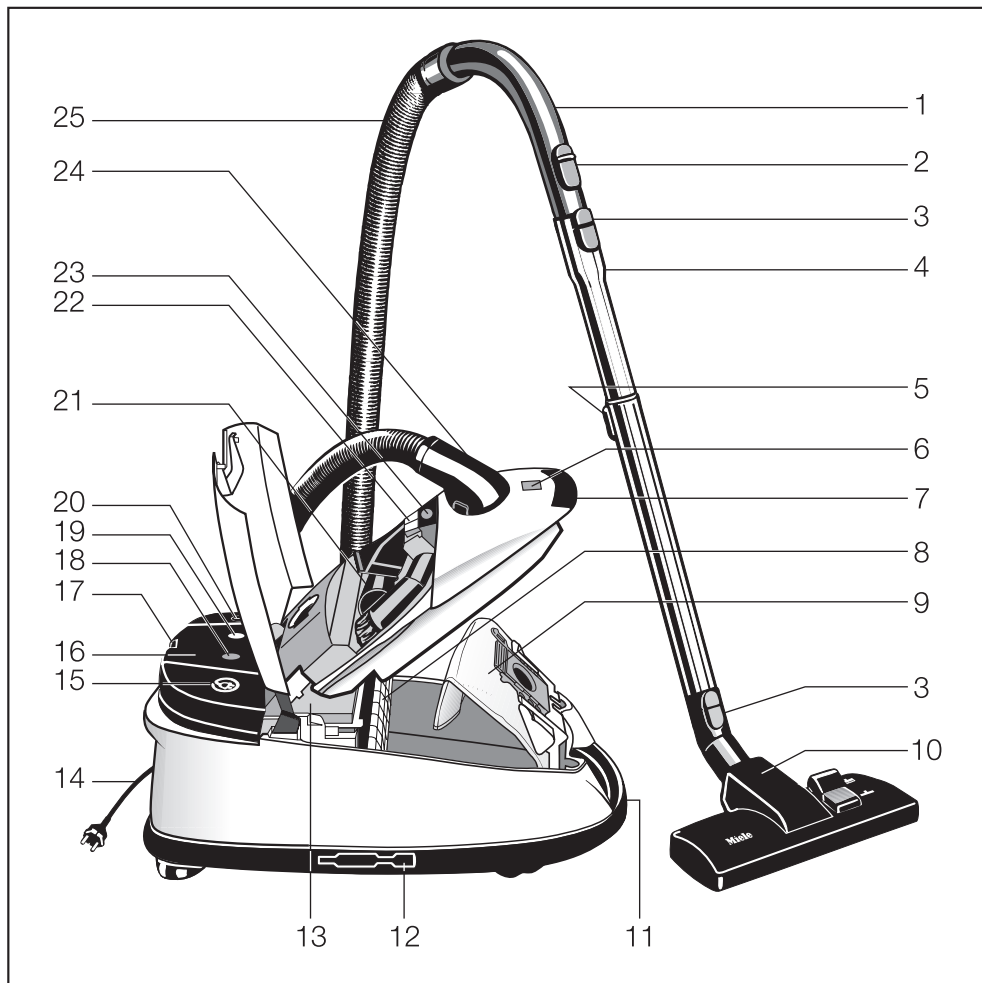
▶ If the power cord is damaged it should be replaced along with a new cable reel by Miele Technical Service.

## Disposing of an old appliance

▶ Before discarding an old vacuum cleaner, please cut off the power cord and render the plug useless. Ensure the appliance presents no danger to children while being stored for disposal.


## SAVE THESE INSTRUCTIONS

# Guide to the vacuum cleaner



## Guide to the vacuum cleaner

---

- 1 Handpiece
- 2 Air inlet valve
- 3 Locking button
- 4 Telescopic wand \*
- 5 Telescopic wand release button \*
- 6 Electrobrush socket\*
- 7 Dust compartment lid release
- 8 Dust compartment filter (motor protection)
- 9 Dustbag
- 10 Floor brush\*
- 11 Carrying handle
- 12 Park-system
- 13 Exhaust filter\*
- 14 Power cord
- 15 Cord rewind switch
- 16 Suction power selector\*
- 17 Park-System
- 18 Exhaust filter change indicator (Reset button )\*
- 19 Thermo indicator\*
- 20 On / Off switch
- 21 Accessory compartment
- 22 Airflow indicator
- 23 Accessory compartment lid release
- 24 Elbow
- 25 Suction hose

The illustration shows the maximum number of features available in this series of Miele vacuum cleaners.

Those features marked \* depend on the model and may vary or not be available on your model.

Some models are supplied with a Miele Electrobrush or Turbobrush as standard (not illustrated). Separate operating and maintenance instructions are supplied with these brushes.

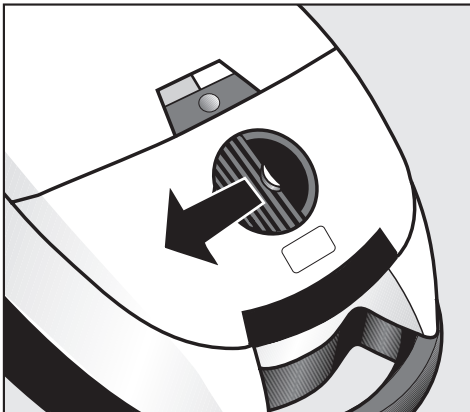
## Before using for the first time

---

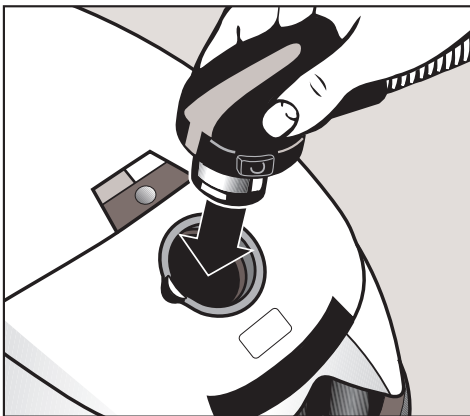
### Attaching the suction hose

- Slide open the dust compartment shutter (depending on model).

The dust compartment shutter is designed for hygienic handling and prevents dust and odors from escaping. If you remove the suction hose from the vacuum cleaner for storage purposes, close the dust compartment shutter before storing.

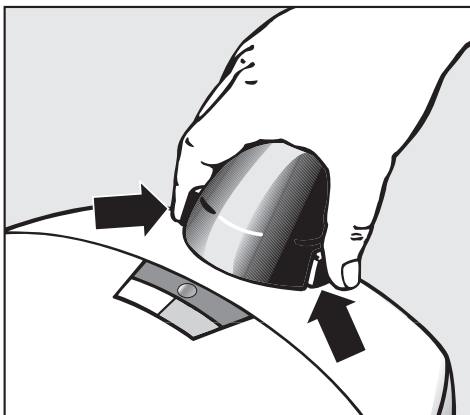


- Insert the elbow into the suction socket.



### Removing the suction hose

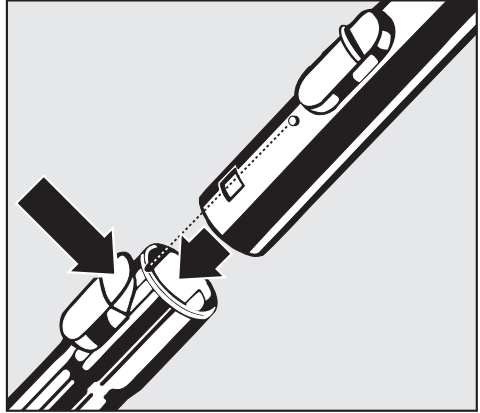
- Press the release buttons on the sides of the elbow and lift the hose from the socket.



## Before using for the first time

### Connecting the suction hose and the telescopic wand

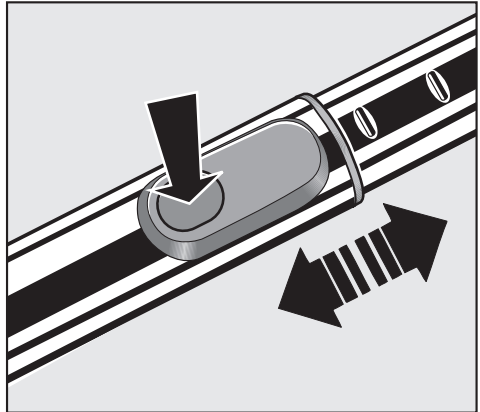
- Using the inlet guides, fit the handpiece of the suction hose firmly into the wand until they lock with a click.
- To release the handpiece from the telescopic wand, press the locking button (see arrow) and pull apart.



### Adjusting the telescopic wand

One section of the telescopic wand is located inside the other and can be adjusted to your height for comfortable vacuum cleaning.

- Press the telescopic wand release button (see arrow) to release the tubes and adjust to the required height.



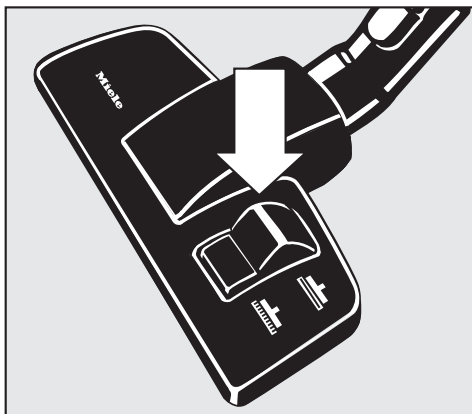
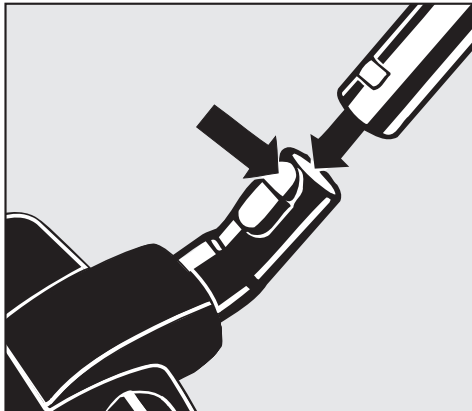
## Before using for the first time

### Attaching the floor brush

(select models)


The floor brush is suitable for cleaning carpets, rugs and hard surfaces. For flooring susceptible to scratches, use one of Miele's specially designed floor brushes (see "Optional accessories").

- Insert the telescopic wand into the floor brush and turn in either direction until it locks with a click.
- To release the floor brush from the telescopic wand, press the locking button (see arrow) and pull the wand out of the floor brush.




Observe the cleaning instructions of the floor manufacturer.

### To clean carpets and area rugs:

- Press the foot switch marked  . This will retract the brush.

### To clean hard flooring:

- Press the foot switch marked  . This will extend the brush.

### Electrobrush / Turbobrush

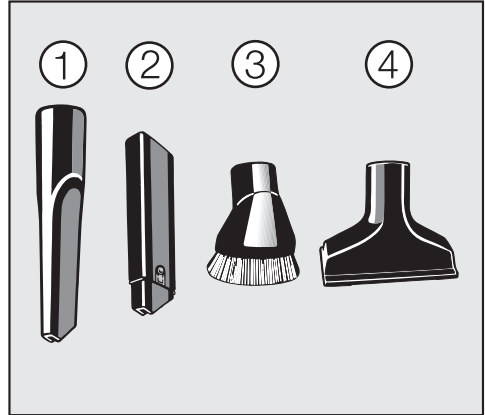
Some models may be supplied with an Electrobrush or a Turbobrush as a standard accessory (see "Optional accessories"). Please refer to the separate operating instructions supplied with these brushes for instructions on use and maintenance.

## Included accessories

Accessory tools for cleaning difficult to reach areas are located in the accessory compartment.

- ① Crevice nozzle
- ② Crevice nozzle extension \*
- ③ Dust brush
- ④ Upholstery nozzle
- ⑤ Blower connection socket \*  
(not illustrated; see "Operation - Blower connection socket")

\* depending on vacuum model

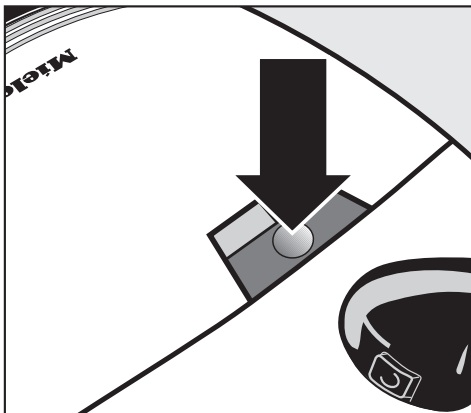


## Included accessories

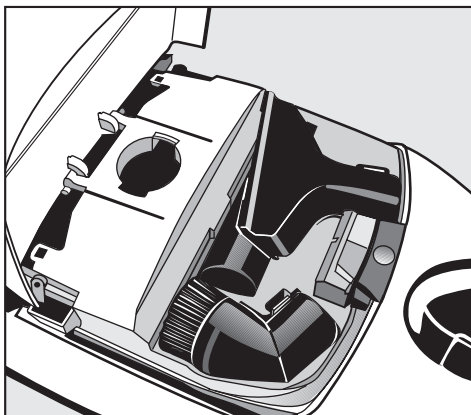
---

### Taking the accessories out

- Press the release button to open the accessory compartment lid.

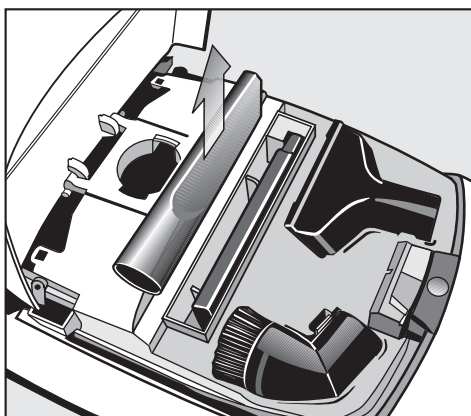


- Take out the accessory needed.
- Close the lid securely.



### S 600 - S 648 series

The crevice nozzle extension is located in the compartment underneath the crevice nozzle.



## Using the included accessories

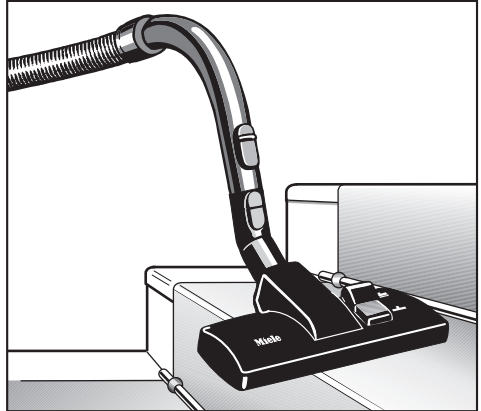
The accessory tools can either be fitted to the handpiece or to the suction wand.

### Floor brush

(select models)

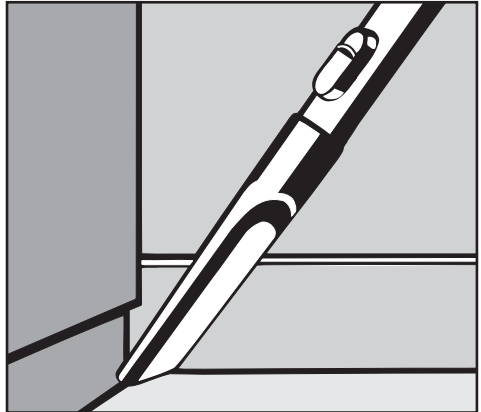
The floor brush can be used for normal cleaning of carpets, rugs, stairs and hard surfaces.

For safety when vacuuming stairs it is best to start at the bottom of the stairs and move upwards.



### Crevice nozzle

For cleaning in folds, crevices and corners.

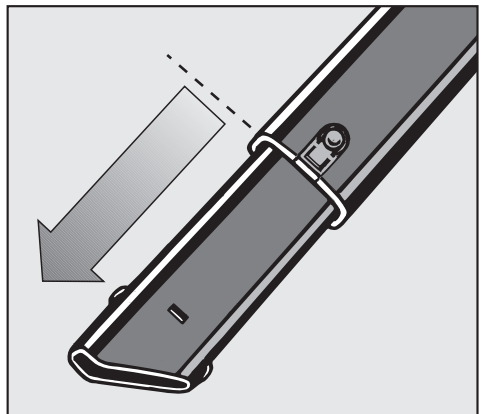


### Crevice nozzle extension

(select models)

This accessory can be used to extend the length of the crevice nozzle. Further length is provided by pulling out the inner section.

- Press the locking button to pull the extension piece out or to push it in.



## Using the included accessories

---

### Dusting brush

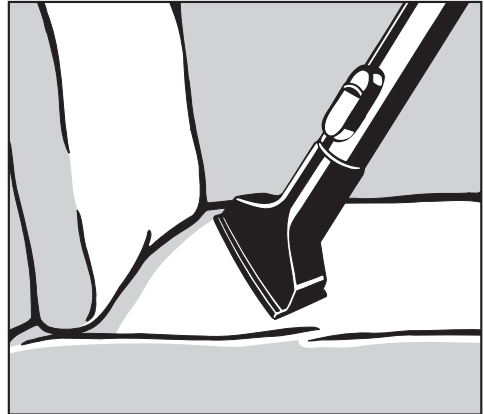
For cleaning moldings, ornate or carved articles, etc.

The head of the dusting brush can be turned to attain the best cleaning position.



### Upholstery nozzle

For cleaning upholstery, mattresses, cushions, covers, etc.




## Power cord

Unwind the cable completely to aid the vacuum in dissipating heat.

## Unwinding

- Hold the plug and pull out the power cord to its full length.

 To reduce the risk of electric shock, the vacuum has a polarized plug (one blade is wider than the other). This plug will fit in a polarized outlet only one way. If the plug does not fit fully in the outlet, reverse the plug. If it still does not fit, contact a qualified electrician. Do not alter the plug in any way. Danger of overheating and damage.

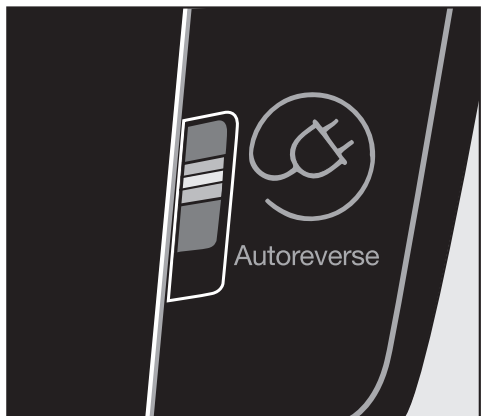
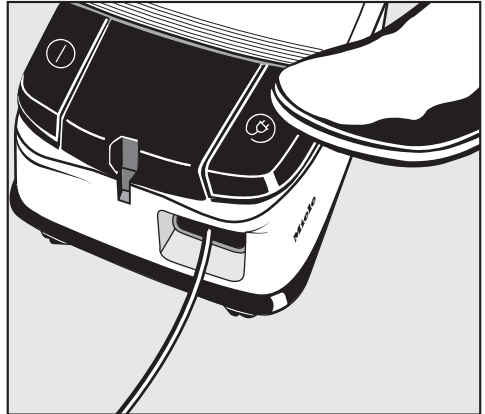
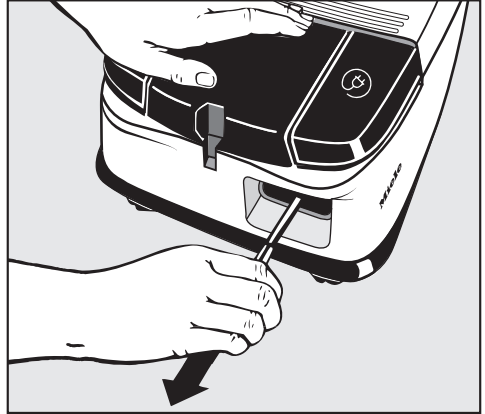
## Rewinding

- Unplug the vacuum from the outlet.
- Press the rewind button. The power cord will rewind automatically.

## Auto-reverse

(select models)

To use this feature, move the slide switch to "Auto-Reverse". This releases the cable reel brake and allows the spring loaded reel to take up the slack between the appliance and the outlet.



# Operation

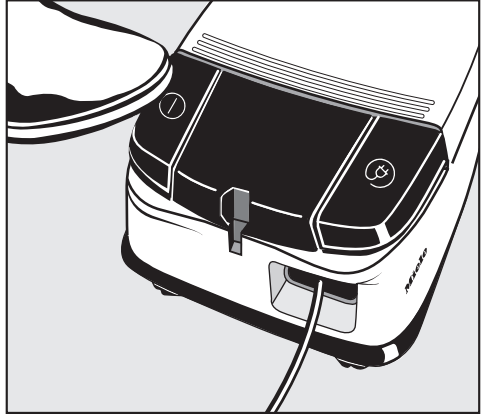
---


## Turning the vacuum on and off

- Press the On/Off switch.

## While vacuuming

The vacuum cleaner can also stand on its end for vacuuming stairs, drapes etc.





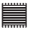



 To prevent static discharge your hand must touch the metal inlay on the underside of the vacuum handpiece. Be certain to continuously touch this inlay when vacuuming fine dust, flour or sawdust as these materials are more likely to create static discharge. To further prevent static discharge while vacuuming, pull the vacuum along by the hose with one hand while continuing to hold the handpiece in the other hand.

## Adjusting the suction

(for models with suction power selector)

The suction power can be adjusted depending on the type of flooring. The symbols on the controls indicate the type of use the settings are suitable for:

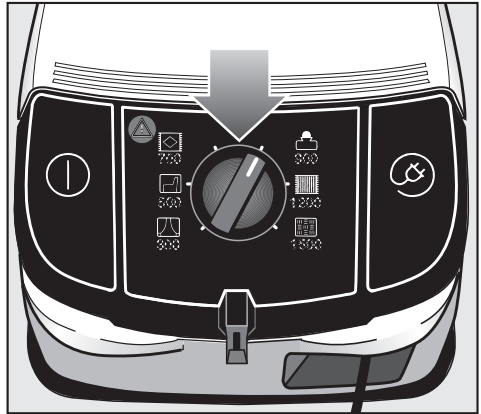
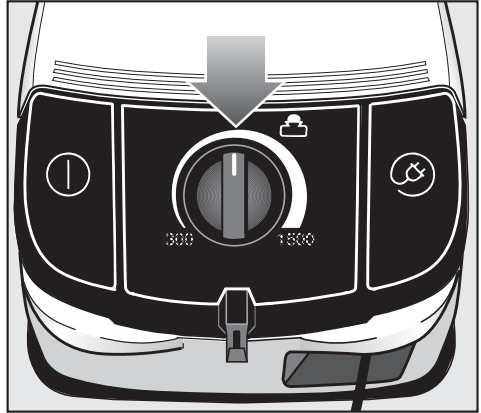
-  curtains, lightweight fabrics
-  upholstery, cushions
-  thick pile carpets, rugs and runners
-  energy-saving daily use
-  lightly soiled textured carpets
-  textured hard flooring and intensive cleaning of carpets

The controls vary from model to model, and are described on the following pages.

# Operation

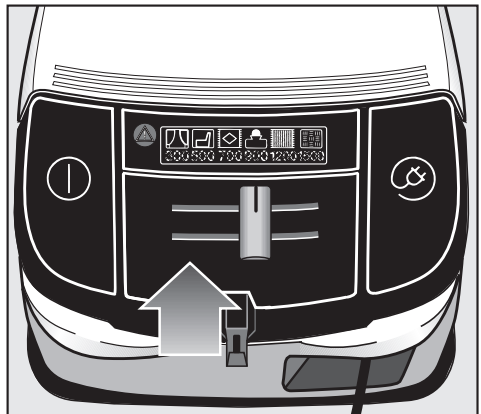
## Rotary selector

- Turn the selector knob to the desired suction power setting.



## Slide selector

- Move the slide selector to the desired suction power setting.

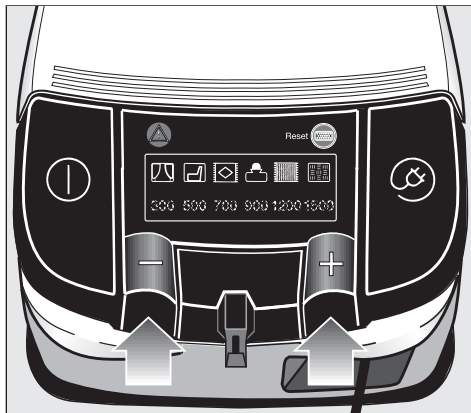


## + / – controls

Press the controls to select the desired suction power setting.

- Press the **+** control to select a higher setting.
- Press the **–** control to select a lower setting.

When turned on, the vacuum cleaner operates at the power setting last used. A single short press on the + / - controls moves the suction power up or down one setting at a time. If the control is held down continuously, the suction power setting will automatically move through the power settings until the control is released.

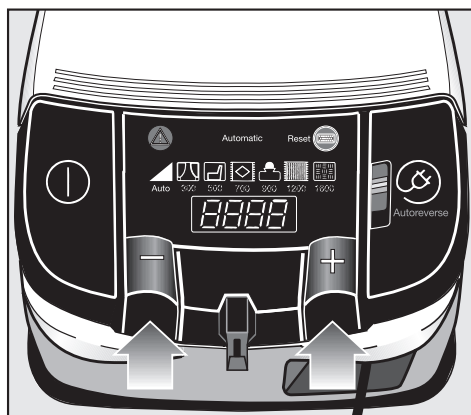


## + / – controls with Automatic setting

The Automatic setting adjusts the suction power to suit the surface being cleaned.

- Press the **+** control to select a higher setting.
- Press the **–** control to select a lower setting.

When turned on, the vacuum cleaner operates at the power setting last used. A single short press on the + / - controls moves the suction power up or down one setting at a time. If the control is held down continuously, the suction power setting will automatically move through the power settings until the control is released.




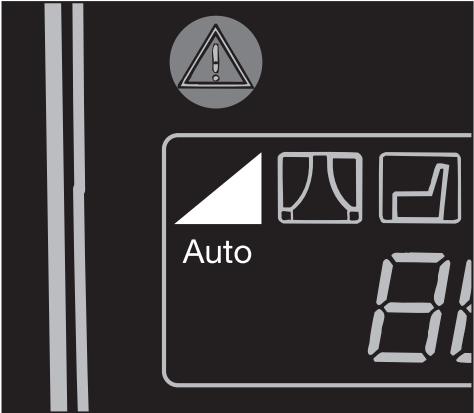
# Operation

## Automatic setting

If the Automatic setting is chosen, the vacuum cleaner automatically adjusts the suction power to suit the carpet or floor surface being cleaned.

- Press the – control until the Automatic setting is activated.
- Press the + control to deactivate the Automatic setting.

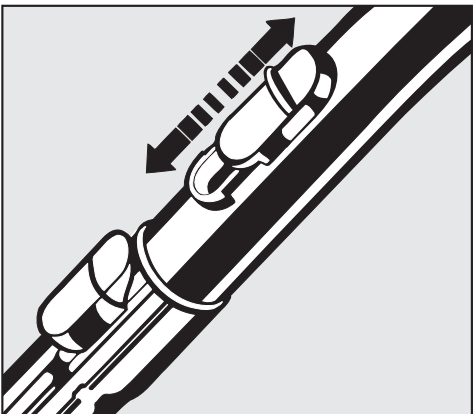
 The Automatic setting is designed for use on carpets and floors only. Do not use the Automatic setting to vacuum lightweight materials, such as curtains or throw rugs. Excessive suction may damage these items.



## Opening the air inlet valve

The air inlet valve is designed to provide a quick, convenient reduction of suction power, e.g. when moving from a carpet to an area rug.

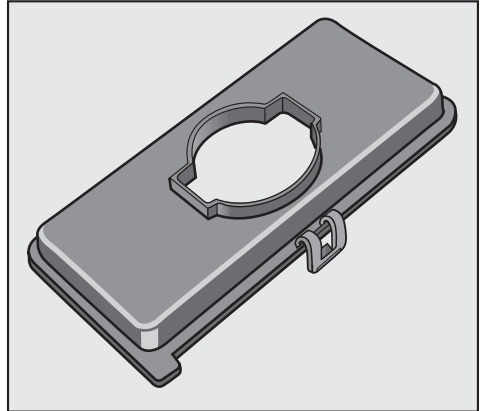
- Open the air inlet valve far enough to reduce the power.



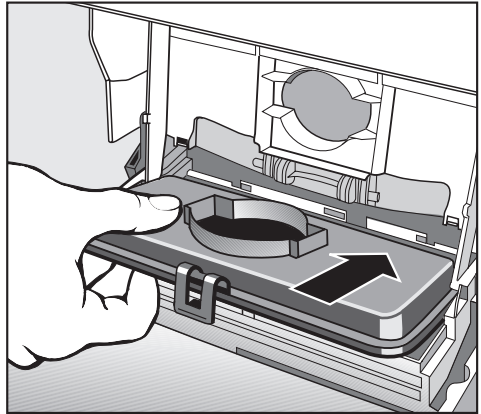
## Blower connection socket

(depending on model)

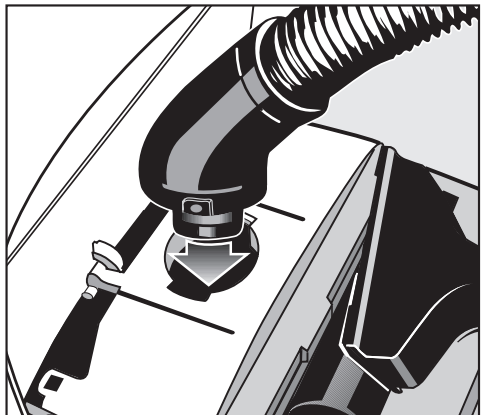
The blower connection socket can be used to connect the suction hose to the blower outlet of the vacuum cleaner. This is useful for dusting off radiators and blowing dust out of inaccessible corners so that it can be vacuumed up. It can also be used to clean the suction hose if it should ever become blocked.



- Press the release button for the dust compartment lid and raise the lid so that it clicks into place.
- Take out the exhaust filter or the filter frame if present and replace with the blower connection socket.
- Close the dust compartment lid.



- Open the accessory compartment and insert the elbow of the suction tube into the blower connection socket.

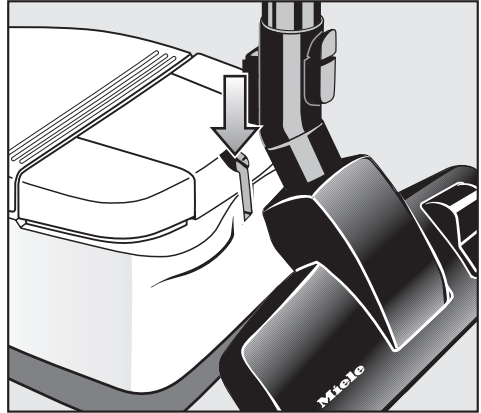


# Transportation and storage

## Park-System

The Park-System has been designed to conveniently park the vacuum cleaner during pauses, as well as for easy carrying and storage.

- A special parking attachment is fitted to all floor brushes, including the Electrobrush. Insert the clip on the floor brush into the slot on the end of the vacuum cleaner from above (see illustration).



## Turning on and off with the Park-System

(select models)

Parking the floor brush while vacuuming automatically turns off the vacuum. Lifting the floor brush out of the Park-System turns the vacuum back on.

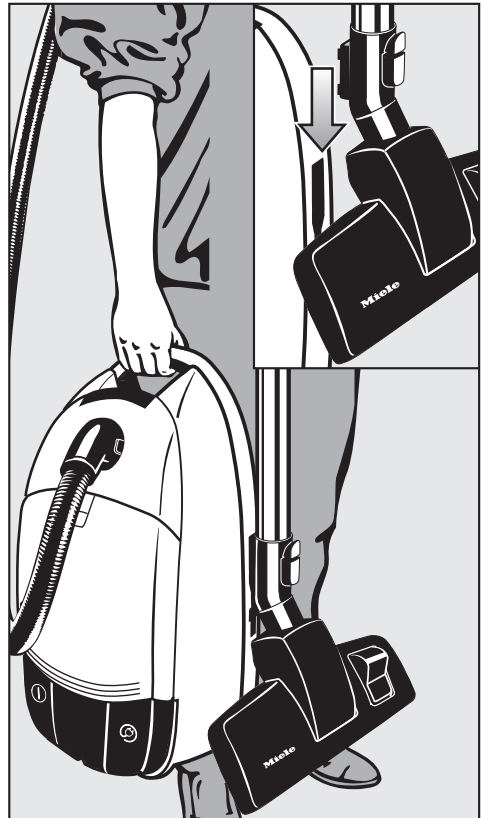
If your vacuum cleaner is equipped with +/- suction power selector controls, you can activate or deactivate the Park-System's On/Off feature:


- Turn off the vacuum cleaner using the On/Off button.
- Hold the + and - buttons simultaneously and turn the vacuum on using the On/Off button.

## Transportation and storage

For easier transportation and storage:

- Stand the vacuum cleaner vertically.
- Insert the clip on the floor brush into the wand bracket on the side of the vacuum.



 Turn off the vacuum and unplug it from the outlet before performing any maintenance work.

The Miele filter system consists of three filters which must be replaced from time to time to ensure efficient suction:

- Dustbag
- Exhaust filter
- Dust compartment filter (motor protection)

Only use Miele dustbags with the Miele quality signet and an original Miele filter. This ensures optimum suction power performance and that the bag is used to capacity.

The use of dustbags without the Miele quality signet could cause damage to the vacuum cleaner and may void the warranty.

### Purchasing new dustbags and filters

Replacement dustbags and filters can be purchased from an authorized Miele vacuum dealer or by visiting the Miele store at <http://store.miele.com>.

#### Which dustbags and filters are the right ones?

- Miele type **F/J/M** dustbags with the Miele quality signet are intended for models S 500 - S 548
- Miele type **G/N** dustbags with the Miele quality signet are intended for models S 600 - S 648.

**ORIGINAL**  
**Miele**

Every box of Miele dustbags also contains a "SUPER air clean" exhaust filter and a dust compartment filter (motor protection). You can replace the "Super air clean" filter with one of the other types of filters (see "Optional accessories").

When purchasing dustbags or filters, refer to the model number on the data plate located underneath the appliance.

## Maintenance and care

---

### When to change the dustbag

- Change the dustbag as needed.

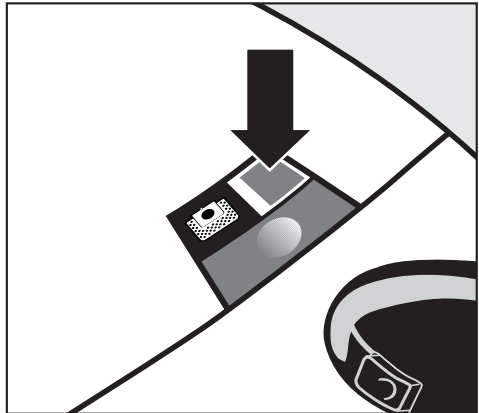
The dustbags are disposable and intended to be used only once. Do not attempt to reuse.

### How the airflow indicator works

The indicator shows a decrease in the vacuum performance, independent of the actual fullness of the bag.

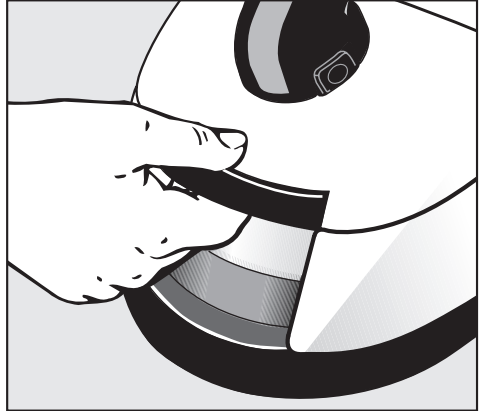
If fine dust, such as drill dust, sand, plaster or flour is vacuumed, the pores of the dustbag become blocked. The marker will indicate that the bag is "full" even when it is not. The dustbag should be changed as the suction power is greatly reduced.

If the bag is bulging with pet fur, hair, carpet fluff etc. the indicator may not register "full". This is because the air flow of the dustbag may still be high enough not to activate the marker to show maximum. The dustbag should still be changed.



### Replacing the dustbag

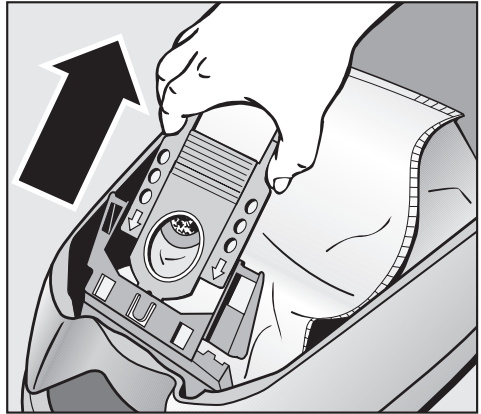
- Open the dust compartment lid.



- Grasp the collar by the two finger holes and pull it out from the dustbag holder.

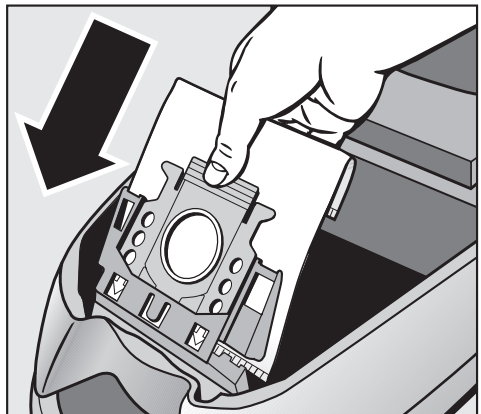
The dustbag has a flap which closes automatically when the dustbag is removed to prevent any dust from escaping.

- Dispose the dustbag with the normal household waste.



- Insert a new dustbag and push the card collar securely into the dustbag holder as far as it will go. If it is not inserted properly, the dust compartment lid will not close.

- Close the dust compartment lid firmly until it clicks into place.



## Maintenance and care

### Replacing the exhaust filter

Depending on the model, the vacuum cleaner will be equipped with one of the following exhaust filters:

- a** "SUPER air clean" filter
- b** "ACTIVE air clean" filter
- c** "ACTIVE HEPA" filter

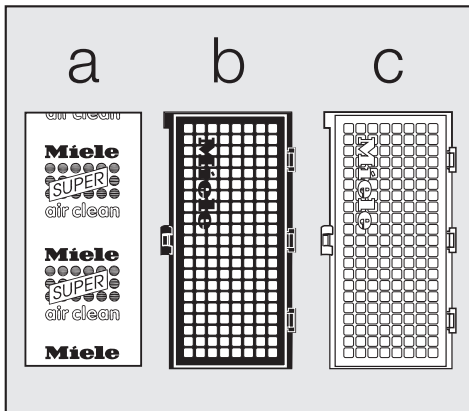
#### "SUPER air clean" filter

A "SUPER air clean" filter is supplied with every box of Miele dustbags. It should be replaced each time a new box of bags is started.


#### "ACTIVE air clean" or the "ACTIVE HEPA" filter

An "ACTIVE air clean" or "ACTIVE HEPA" filter should be changed approximately once a year. Change the filter sooner if it is obviously soiled or no longer effective.

It is helpful to make a note of the date directly on the filter as a reminder for when to next change it. See "Optional Accessories" for filter descriptions.



### Exhaust filter change indicator

Some models are equipped with an exhaust filter change indicator (Reset button ) which is designed to alert when to change the "ACTIVE air clean" or "ACTIVE HEPA" filter.

The indicator lights up after about 50 hours of operation, which is equivalent to about a year of average use. The vacuum cleaner can still be used with the exhaust filter indicator lit. However, the suction power will be reduced as will the effectiveness of the filter if it is not replaced.

Note: If a "SUPER air clean" filter **(a)** is being used, the filter change indicator can be disregarded but should be reset. The indicator goes out when the Reset button is pressed.

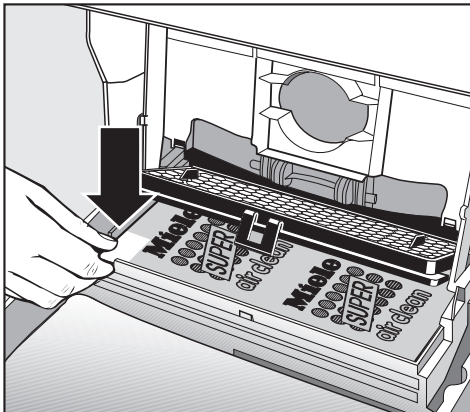


## Maintenance and care

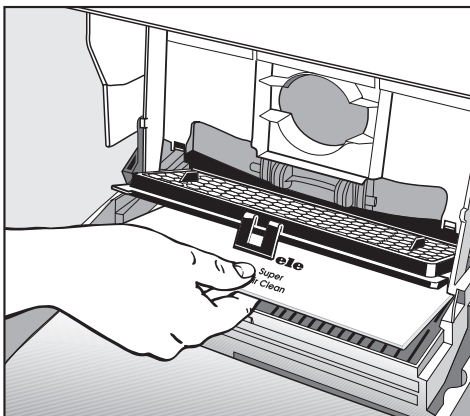
### Replacing the "SUPER air clean" filter

- Open the dust compartment lid.
- Release the filter frame. Raise it up and remove the filter.

Do not use more than one filter at a time.

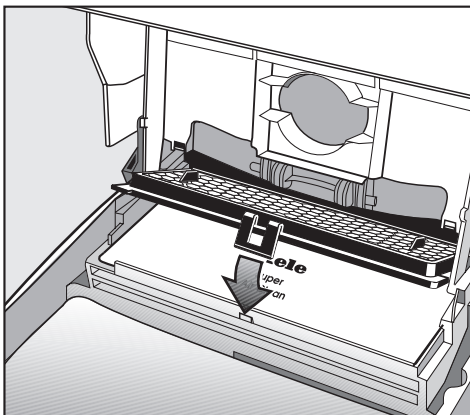


- Insert a new "SUPER air clean" filter. It can be inserted with either side up.



- Lower and secure the filter frame back into place.
- Close the dust compartment lid firmly until it clicks into place.

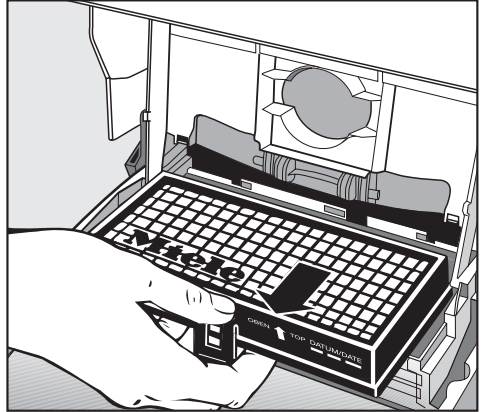
If you wish to replace the SUPER air clean filter with an ACTIVE air clean filter or ACTIVE HEPA filter see "Maintenance and care - Replacing one type of filter with another".



### Replacing the "ACTIVE air clean" filter and the "ACTIVE HEPA" filter

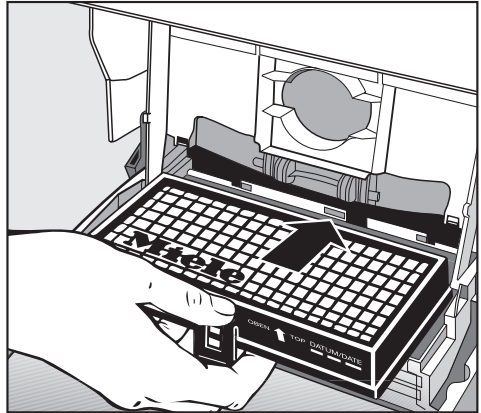
- Open the dust compartment lid.
- Release the catch and remove the filter.

Do not use more than one filter at a time.




- Insert the new filter so that it engages at the back, then close the catch.
- Close the dust compartment lid firmly until it clicks into place.

If you wish to replace the ACTIVE air clean filter or ACTIVE HEPA filter with a SUPER air clean filter see "Maintenance and care - Replacing one type of filter with another".



### Resetting the filter change indicator

The filter change indicator (Reset button ) must be reset each time the filter is replaced. To do this, the vacuum cleaner must be plugged in.

- Press the filter change indicator light until it goes out. The display is now reset.

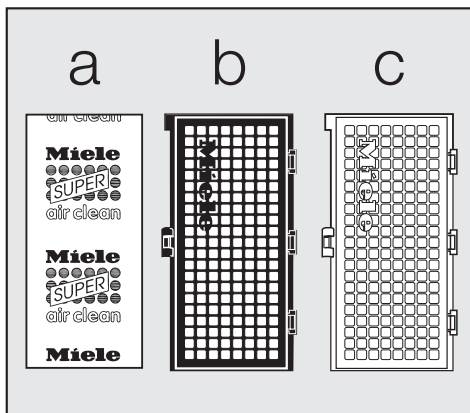


## Maintenance and care

### Replacing one type of filter with another

Depending on the model, the vacuum cleaner is fitted with one of the following exhaust filters:

- a** "SUPER air clean"
- b** "ACTIVE air clean"
- c** "ACTIVE HEPA"

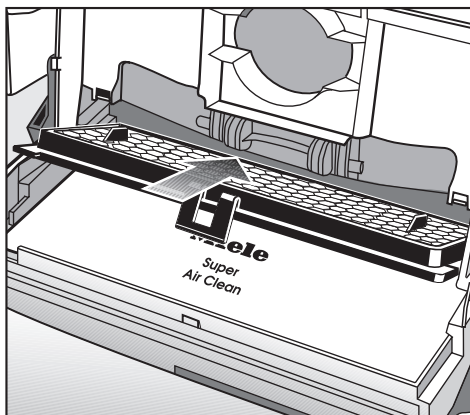


### Please note

1. If you wish to replace the **a** "SUPER air clean" filter with the **b** "ACTIVE air clean" filter or the **c** "ACTIVE HEPA" filter, you must **remove** the filter frame before inserting the new type of filter.

2. If you use the exhaust filter **a** you have to insert it in a filter frame \*.

\* Filter frame - see "Optional accessories"



Do not use more than one filter at a time.

The "ACTIVE air clean" filter can be used instead of the "ACTIVE HEPA" filter and vice versa. Remember to reset the filter change indicator with the Reset button after every filter change.



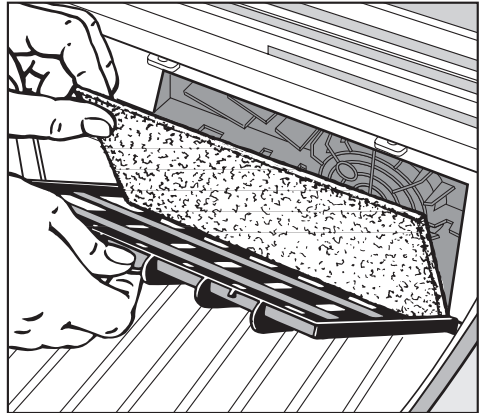
## When to change the dust compartment filter (motor protection)

Replace the dust compartment filter every time you start a new box of dustbags.

A dust compartment filter is supplied inside each box of Miele dustbags.

## Replacing the dust compartment filter (motor protection)

- Open the dust compartment lid.
- Open the filter frame, remove the old filter and replace with a new one.
- Close the filter frame.



## Maintenance and care

---

### When to change the thread catcher pads

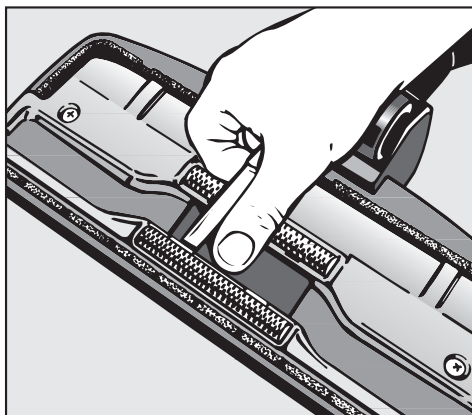
(Floor brush only)

Check the thread catchers on the suction inlet of the floor brush, as well as those on the upholstery nozzle, from time to time.

Replace the thread catchers if the pile is worn.

### Replacing the thread catchers

- Use a knife or similar object to remove the thread catchers from the slots.
- Insert the new thread catchers.

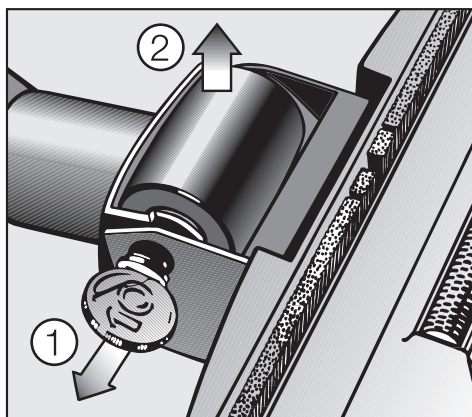



### Servicing the floor roller

- Use a coin to release the roller pin and pull out the pin.
- Take out the roller.

Remove all threads, hair, etc. and reassemble the parts.


Spare parts are available from your Miele Vacuum Dealer or from the Miele Technical Service Department.



 Turn off the vacuum and unplug it from the outlet before performing any maintenance work.

## Vacuum cleaner and accessories


External surfaces of the vacuum cleaner and accessories can be cleaned with a slightly damp cloth or with a cleaner specifically for plastics.

 Do not use abrasive, glass or all-purpose cleaners! They will damage the surface.

## Dust compartment

The dust compartment can, if necessary, be cleaned using another vacuum, a **dry** cloth or brush.


Monitor the dustbag change indicator and inspect all filters regularly. Clean or replace them when necessary according to the Operating Instructions.

 Do not submerge the vacuum cleaner in water! If moisture gets into the appliance, there is the risk of an electric shock.

# Frequently asked questions

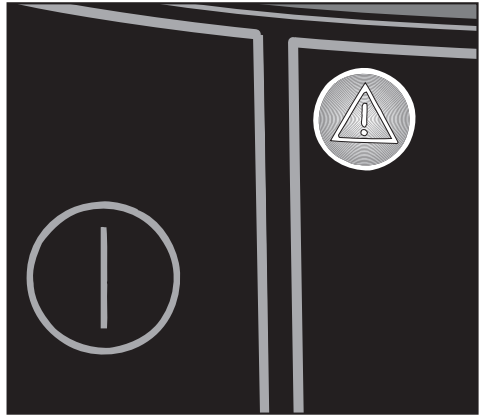
---

## Overheating

**Some models have a warning light  which comes on to indicate overheating.**

A temperature limiter automatically turns the vacuum cleaner off if it gets too hot. This can occur if large articles block the suction wand or if the dustbag is full or contains particles of fine dust. A heavily soiled exhaust or dust compartment filter can also be the cause of overheating.

- Turn off the vacuum cleaner using the On/Off switch.
- After removing the cause of overheating, wait 20 - 30 minutes so the vacuum cleaner can cool. After the cool down period, vacuuming can be resumed.



In the event of a problem that you can not fix yourself, please contact the Miele Service Department. See the back of this manual for contact information.

## Optional accessories

Each model may be accessorized with one or more of the following tools.

### Electrobrush-3

The Electrobrush is intended for intensive cleaning and restoration of robust carpeting.

Vacuum cleaner models designed for use with an Electrobrush have a release button on the cover cap to the connection socket. If there is no release button on this cover cap, an Electrobrush cannot be used.

Observe the cleaning instructions of the floor manufacturer.



### Turbobrush STB 205-3

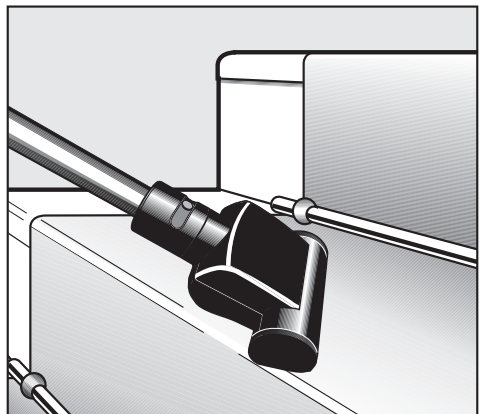
The Turbobrush is intended for cleaning short to medium pile carpeting. It is mechanically driven by the suction power of the vacuum.

Observe the cleaning instructions of the floor manufacturer.



### Hand Turbobrush

The Hand Turbobrush is intended for vacuuming upholstery, mattresses, car seats, carpeted stairs and other areas inaccessible with the standard Turbobrush.



### Hard floor brush SBB 235-3

The Hard floor brush is intended for vacuuming sturdy hard floors, e.g. tile and stone.



### Parquet floor brush SBB Parquet-3

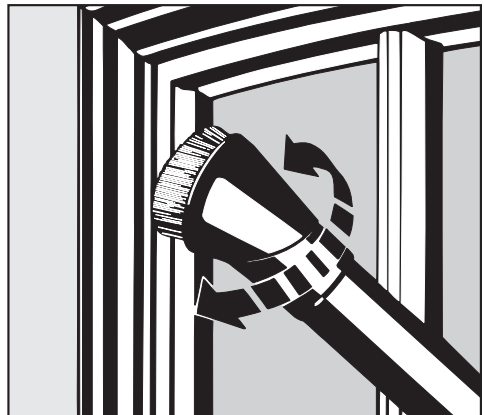
The parquet floor brush is a special brush with natural bristles intended for cleaning parquet and laminate floors, especially those susceptible to scratching.

The parquet floor brush can be cleaned with the vacuum cleaner using the crevice nozzle if necessary.



### Dust brush with natural bristles

For dusting particularly delicate objects.



# Optional accessories

---

## Universal brush

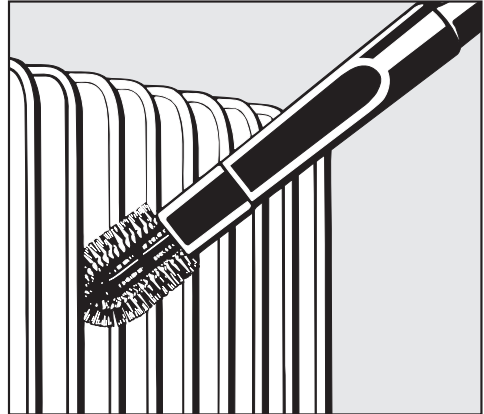
For dusting books, shelves, etc.



## Heater brush

For cleaning radiators, narrow shelves or crevices.

(only compatible with the crevice nozzle)



## Optional accessories

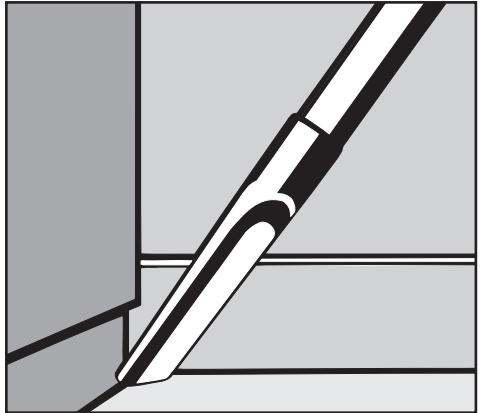
### **Mattress tool**

For cleaning deep crevices, mattresses and upholstery.



### **12" (300 mm) Crevice nozzle**

For cleaning in folds, crevices and corners.



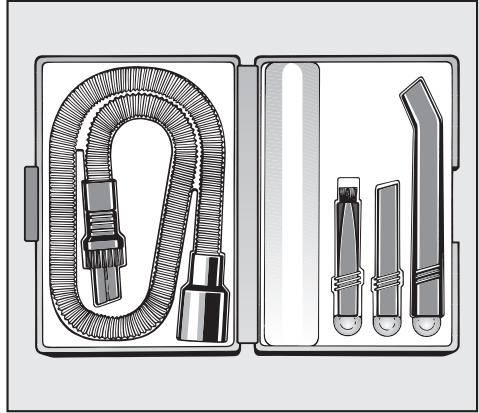
## Optional accessories

### MicroSet

This set is specially designed for cleaning small objects and difficult to reach areas (such as PC keyboards, stereo equipment, carved furniture and ornaments, models, etc).

The MicroSet accessory set consists of:

- a micro hose with combi nozzle (crevice nozzle and dust brush)
- a micro dust brush
- a micro crevice nozzle with extension

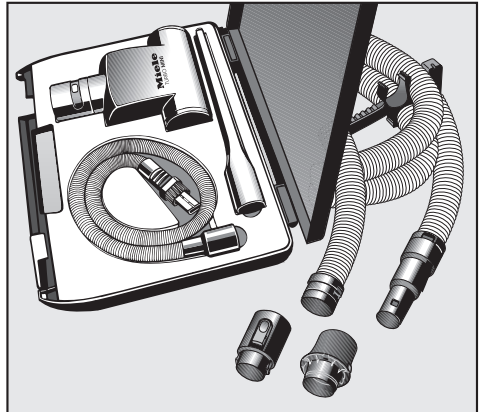


### CarClean Set Plus

This set is specially designed for cleaning car interiors.

The CarClean accessory set consists of:

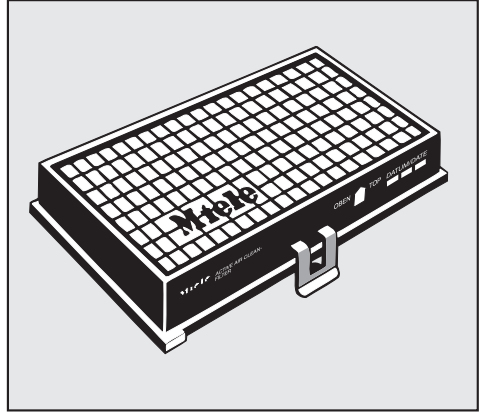
- a hand Turbobrush
- a micro hose with combi nozzle
- an 11  $\frac{13}{16}$ " (300 mm) crevice tool
- a 10' (3 m) long suction hose with holder



### "ACTIVE air clean" filter

A special active charcoal filter which absorbs odors from the dust collected in the dustbag, helping to prevent odors.

The "ACTIVE air clean" filter can be used in place of the "SUPER air clean" filter.

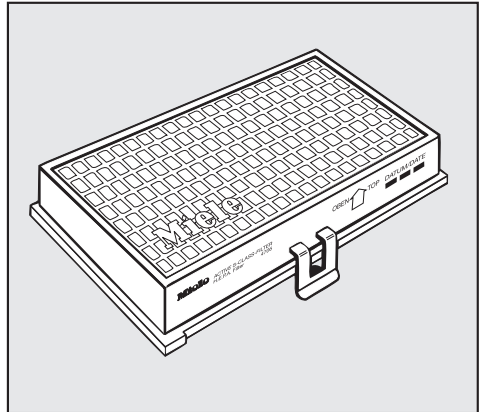


### "ACTIVE HEPA" Filter

Vacuum cleaners equipped with this exhaust filter are particularly suitable for allergy sufferers and those concerned with a high level of hygiene.

The "ACTIVE HEPA" filter combines activated charcoal and HEPA filtration in one. In addition to meeting OSHA standards for air filtration, it will also absorb any odors existing in the dustbag.

The "ACTIVE HEPA" filter can be used in place of the "SUPER air clean" filter.



### Filter frame

The filter frame is needed if you would like to exchange a SuperAirClean filter with an Active air Clean or HEPA filter, see "Maintenance and care - Exchanging exhaust filters".

# Caring for the environment

---

## **Disposal of the packing materials**

The cardboard box and packing materials protect the appliance during shipping. They have been designed to be biodegradable and recyclable.

Ensure that any plastic wrappings, bags, etc. are disposed of safely and kept out of the reach of children. These items pose a danger of suffocation.

## **Disposing of the dustbag and filters**

Genuine Miele dustbags and filters are made of environmentally friendly materials. They can be thrown out with the household trash provided the vacuum cleaner has been used only for normal household dust.







**Please have the model and serial number  
of your appliance available before  
contacting Technical Service.**

---

The Miele logo is displayed in a bold, white, serif font against a solid black rectangular background.

**U.S.A.  
Miele, Inc.**

**National Headquarters**

9 Independence Way  
Princeton, NJ 08540  
Phone: 800-843-7231  
609-419-9898  
Fax: 609-419-4298  
[www.miele.com](http://www.miele.com)

**Technical Service & Support  
Nationwide**

Phone: 800-999-1360  
Fax: 888-586-8056  
[TechnicalService@mieleusa.com](mailto:TechnicalService@mieleusa.com)

**Canada  
Miele Limited**

**Headquarters and Showroom**

161 Four Valley Drive  
Vaughan, ON L4K 4V8  
Phone: 800-643-5381  
905-660-9936  
Fax: 905-532-2290  
[www.miele.ca](http://www.miele.ca)  
[info@miele.ca](mailto:info@miele.ca) (general enquiries)  
[professional@miele.ca](mailto:professional@miele.ca) (commercial  
enquiries)

**MieleCare National Service**

Phone: 800-565-6435  
905-532-2272  
Fax: 905-532-2292  
[service@miele.ca](mailto:service@miele.ca) (technical enquiries)