

S2641TCU

60CM (24") Ceramic Cooktop

EAN13: 8017709204938

Edge type: Beveled

Programs / Functions

Total cook zones: 4

Total ceramic cook zones: 4

Power levels: 9

Keep warm automatic function

Controls

Control setting: Touch control

Options

End cooking timer: 1

End of cooking acoustic alarm

Limited Power Consumption Mode

Show Room Demo Option

Controls Lock / Child Safety

Quick start

Cooking zones

Front left - Ceramic - single - 1800 W - \varnothing 7" (180mm)

Rear left - Ceramic - single - 1200 W - \varnothing 5 1/2" (140mm)

Front right - Ceramic - single - 1200 W - \varnothing 5 1/2" (140mm)

Rear right - Ceramic - double - 2000 W - \varnothing 5 1/2" - 8 1/4" (140-210mm)

Technical Features

Automatic switch off when overheat

Automatic switch off when overflow

Residual heat indicator

Accessories Included

Scraper: 1

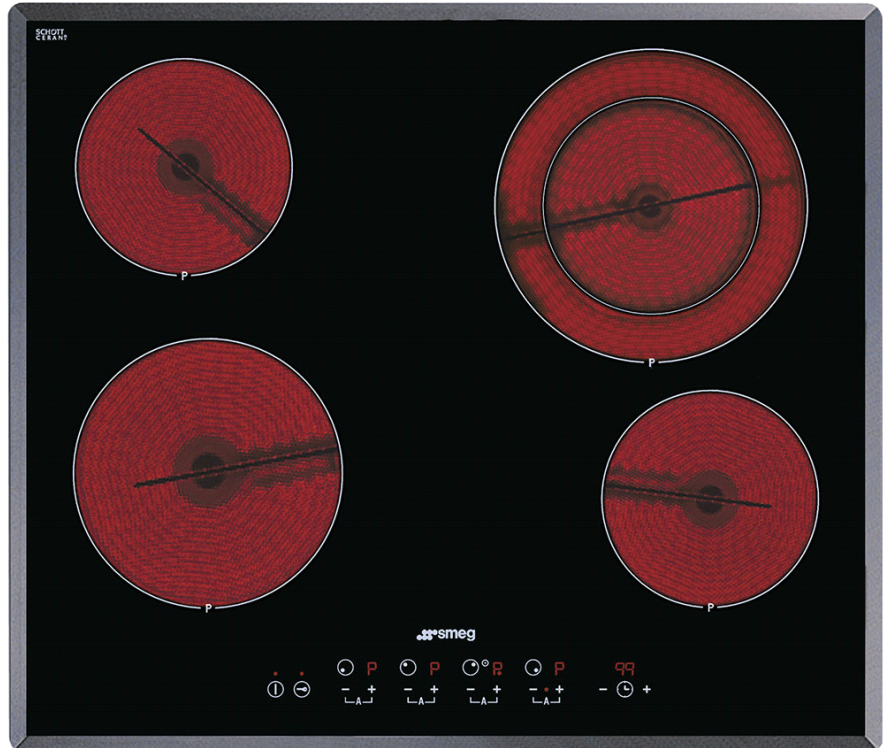
Electrical Connection

Electrical connection rating (W): 6700 W

Voltage (V): 120/208 V

Voltage 2 (V): 120/240 V

Cord type: Double phase



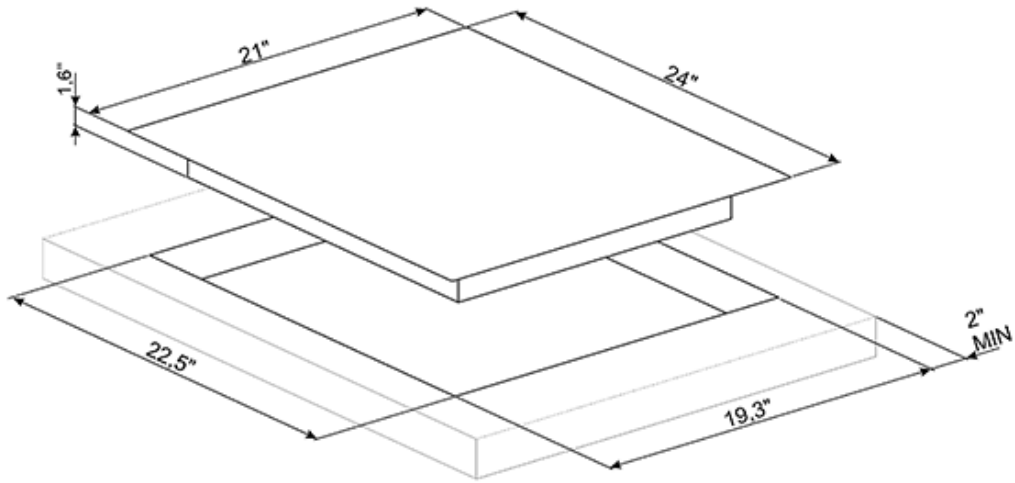
Frequency (Hz): 60 Hz

**SMEG U.S.A. INC.
A&D BUILDING
150 EAST 58th STREET, 7th FLOOR
NEW YORK, NY, 10155
Tel. +1 212 265 5378
Fax +1 212 265 5945**



S2641TCU

ceramic cooktop
24"
black
touch control



SMEG U.S.A. INC.
A&D BUILDING
150 EAST 58th STREET, 7th FLOOR
NEW YORK, NY, 10155
Tel. +1 212 265 5378
Fax +1 212 265 5945