



Buy it for looks. Buy it for life.®

Specifications

SINK DESCRIPTION

- Manufactured of 18 gauge stainless steel
- The bowl is a minimum of 14" x 16" x 10"
- Has one 3-1/2" diameter recessed drain opening
- Soundshield undercoating maximizes sound deadening and inhibits condensation
- Made in U.S.A.
- Silicone sealant not provided. Includes mounting bracket
- Other standard mounting hardware not included

INSTALLATION

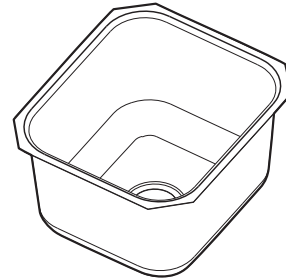
- Template enclosed with sink
- Template ordering number 22505

STANDARDS

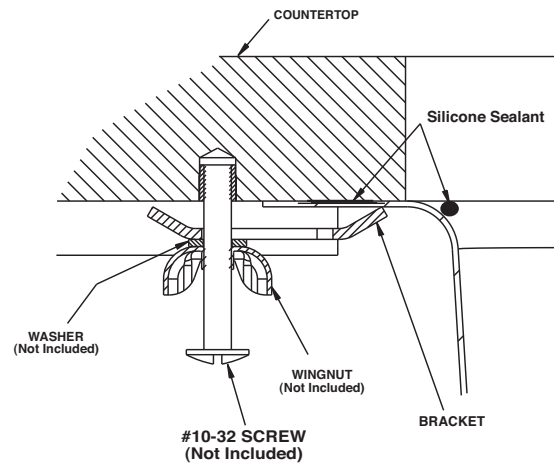
- Third party certified to ASME A112.19.3/CSA B45.4 and all applicable specifications referenced therein.

WARRANTY

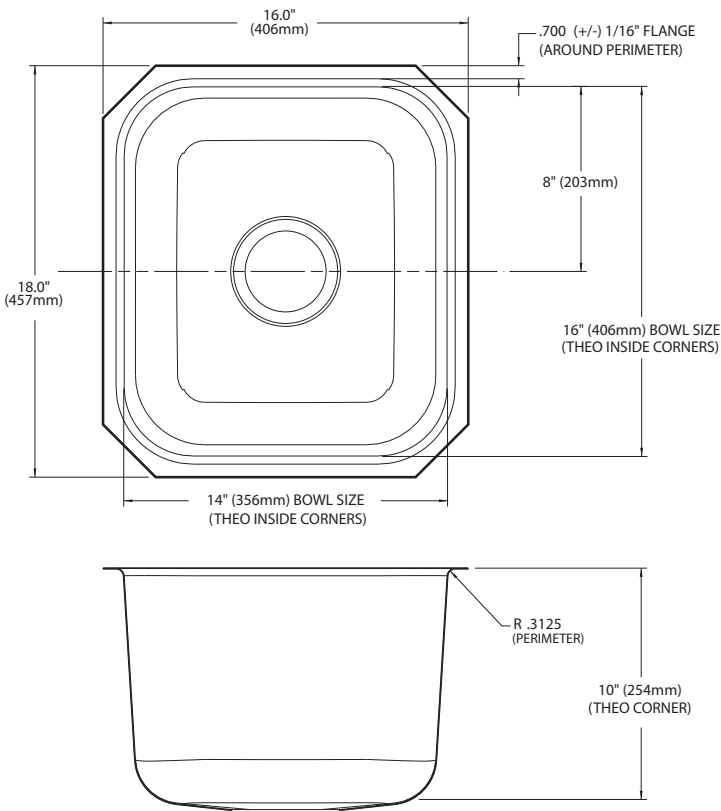
- Limited lifetime warranty against material or manufacturing defects



**Lancelot® Undermount
Single Bowl Sink
Model: S22352
(UMTL-14" x 16" x 10")**



Installation Detail



CRITICAL DIMENSIONS

(DO NOT SCALE)