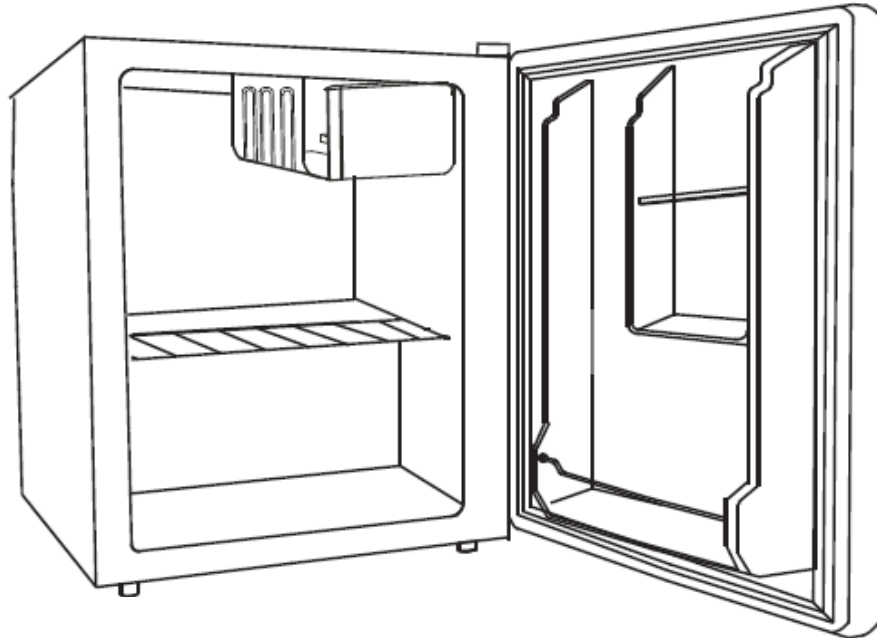




COMPACT REFRIGERATOR / FREEZER

Model S19L



Instruction Manual

BEFORE USE, PLEASE READ AND FOLLOW ALL SAFETY RULES
AND OPERATING INSTRUCTIONS.

Felix Storch, Inc.
Summit Appliance Division
770 Garrison Avenue
Bronx, New York, 10474
www.summitappliance.com

TABLE OF CONTENTS

Important Safeguards	2 - 3
In Case of Problems	4
Location of Parts	5
Installation Instructions	6 - 8
<i>Clearances for Ventilation</i>	6
<i>Electrical Connection</i>	6
<i>Protection from Moisture and Heat</i>	6
<i>Stability</i>	6
<i>Dangerous Substances</i>	7
<i>Moving the Refrigerator</i>	7
<i>Changing the Reversible Door</i>	7 - 8
Operating Your Refrigerator	8 - 9
<i>Setting the Temperature Control</i>	8
<i>Chiller Compartment</i>	8
<i>Defrosting</i>	9
Care and Maintenance	9
<i>Cleaning</i>	
Troubleshooting	10
Limited Warranty	11

IMPORTANT SAFEGUARDS

Before the refrigerator is used, it must be properly positioned and installed as described in this manual, so read the manual carefully. To reduce the risk of fire, electrical shock or injury when using the refrigerator, follow basic precautions, including the following:



- Plug into a grounded 3-prong outlet, do not remove grounding prong, do not use an adaptor and do not use an extension cord.
- It is recommended that a separate circuit, serving only your refrigerator, be provided. Use receptacles that cannot be turned off by a switch or pull chain.
- Never clean refrigerator parts with flammable fluids. These fumes can create a fire hazard or explosion. And do not store or use gasoline or other flammable vapors and liquids in the vicinity of this or any other appliance. The fumes can create a fire hazard or explosion.
- Before proceeding with cleaning and maintenance operations, unplug the refrigerator or disconnect power. Failure to do so can result in electrical shock or death.
- Do not connect or disconnect the electric plug when your hands are wet.
- Do not attempt to repair or replace any part of your refrigerator unless it is specifically recommended in this manual. All other servicing should be referred to a qualified technician.
- ***DANGER: Risk of child entrapment!***
Child entrapment and suffocation are not problems of the past. Junked or abandoned appliances are still dangerous, even if they will "just sit in the garage a few days."
 - ✓ Before you throw away your old refrigerator or freezer, take off the doors. Leave the shelves in place so that children may not easily climb inside.
 - ✓ Never allow children to operate, play with or crawl inside the refrigerator.

WARNING

FOLLOW WARNING CALL-OUTS BELOW ONLY WHEN APPLICABLE TO YOUR MODEL.

- Use two or more people to move and install the refrigerator. Failure to do so can result in back or other injury.
- To ensure proper ventilation for your refrigerator, the front of the unit must be completely unobstructed. Choose a well-ventilated area with temperatures above 60°F (16°C) and below 90°F (32°C). This unit must be installed in an area protected from the elements such as wind, rain, water spray or drips.
- The refrigerator should not be located next to ovens, grills or other sources of high heat.
- The refrigerator must be installed with all electrical, water and drain connections in accordance with state and local codes. A standard electrical supply (115-120V AC only, 60 Hz), properly grounded in accordance with the National Electrical Code and local codes and ordinances is required.
- Do not kink or pinch the power supply cord of the refrigerator.
- The fuse (or circuit breaker) size should be 15 amperes.
- It is important for the refrigerator to be leveled in order to work properly. You may need to make several adjustments to level it.
- All installation must be in accordance with local plumbing code requirements.
- Make certain that pipes are not pinched, kinked or damaged during installations.
- Check for leaks after connection.
- Although the unit has been tested at the factory, due to long-term transit and storage, the first batch of ice cubes must be discarded.
- Do not use solvent-based cleaning agents or abrasives on the interior. These cleaners may damage or discolor the interior.
- Do not use this apparatus for other than its intended purpose.

CAUTION: THIS APPLIANCE IS NOT DESIGNED FOR THE STORAGE OF MEDICINE OR OTHER MEDICAL PRODUCTS.

SAVE THESE INSTRUCTIONS

In Case of Problems

Read this guide carefully. It is intended to help you operate and maintain your new appliance properly. Keep it handy to answer your questions.

Keep proof of original sales date (such as your sales slip) with this guide to establish the warranty period.

Write down the model and serial numbers. You'll find them on a plate located either on the back of the appliance or on an interior wall.

Please write these numbers here:

Date of Purchase

Model Number

Serial Number

Use these numbers in any correspondence or service calls concerning your appliance.

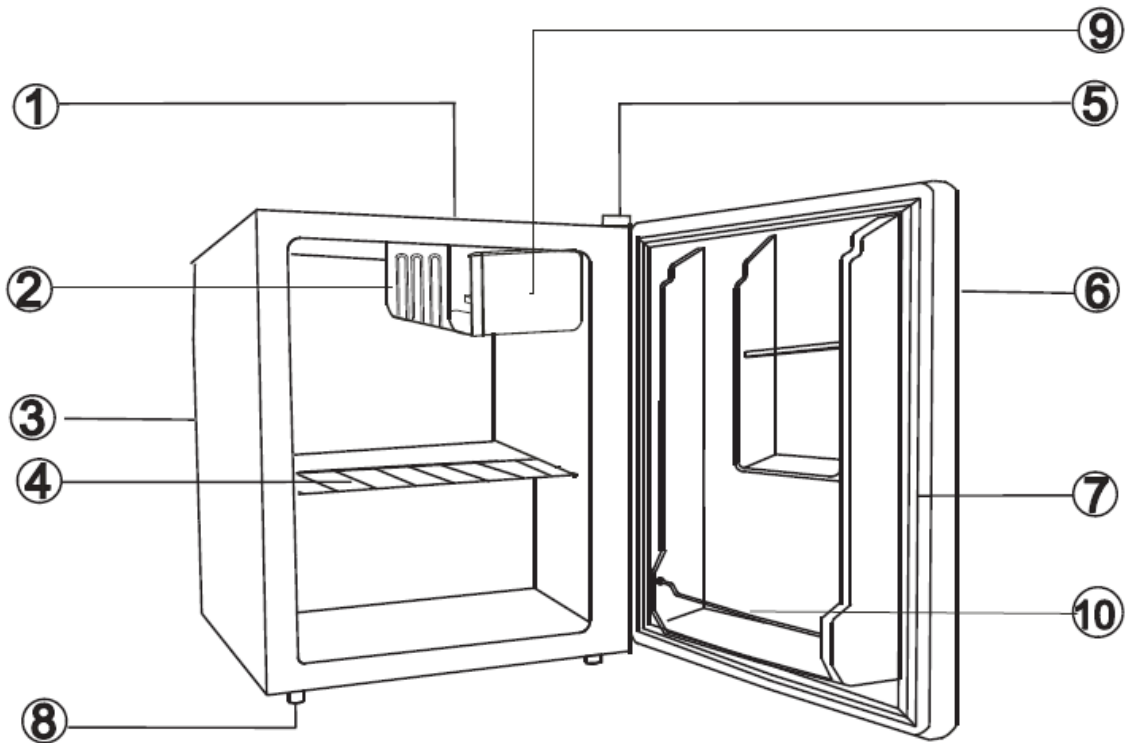
If you received a damaged appliance, immediately contact the dealer (or builder) who sold you the appliance.

Save time and money. Before you call for service, check the *Troubleshooting Guide* on page 10. It lists causes of minor operating problems that you may be able to correct yourself.

If you still need service, call the Summit Customer Help number at

1-718-893-3900

LOCATION OF PARTS



1. Cabinet
2. Evaporator
3. Thermostat Knob (*at the rear*)
4. Shelf
5. Hinge Cover
6. Door
7. Gasket
8. Adjustable Foot
9. Chiller Compartment
10. 2-Liter Bottle Storage

INSTALLATION INSTRUCTIONS

Clearances for Ventilation

It is necessary to have good ventilation around the refrigerator for heat dissipation, high efficiency of refrigeration and low power consumption. For this purpose, it is necessary to leave enough clear space around the refrigerator.

- The clearance at the back must be at least 4" and the clearance at each side must also be 4". Allow at least 8" of space at the top.
- A clear space should also be left on the hinge side to enable the door to swing open 160 degrees.

Electrical Connection

The refrigerator is designed to operate with a power supply of single-phase alternating current (115-120V/60Hz). The refrigerator must be plugged into its own socket instead of sharing one with other electrical appliances.

- Do not use extension cords or double adaptors.
- Be sure the appliance is properly grounded.

The power cord should be neither lengthened nor folded into a coil during operation. Moreover, the cord should be kept away from the compressor at the back of the unit, the surface temperature of which is very high during operation. Touching it could damage the insulation or cause leakage of electricity.

If the supply cord is damaged, do not attempt to repair it yourself. It must be replaced by an authorized service technician.

Protection from Moisture and Heat

Do not keep the refrigerator in a place where there is heavy moisture as this may cause rust to form on the metal parts. Also, the refrigerator should not be sprayed directly by water as this may cause poor insulation and current leakage.

The refrigerator should also be kept far away from any heat source or direct sunlight.

Stability

The floor on which the refrigerator will be placed must be flat and solid. It should not be positioned on any soft material such as plastic foam, etc. If the refrigerator is not level, adjust the leg screws and check with a spirit level.

Dangerous Substances

Do not place the refrigerator near any volatile or combustible substances such as gasoline, alcohol, lacquer, etc. These materials must not be stored in the refrigerator either.

Moving the Refrigerator

The refrigerator must not be laid horizontal or placed upside-down. In fact, it should never be tilted more than 45 degrees from the vertical. If it is ever inclined more than this, it should be set upright and allowed to stand disconnected for 24 hours to allow the refrigerant to settle.

Changing the Reversible Door

This refrigerator has the capability of opening either from the left or the right side. The unit is delivered to you with the door opening from the left side. Should you desire to reverse the opening direction, follow these instructions:

NOTE: Before reversing the door, shut off the power. All parts removed must be saved for the reinstallation of the door.

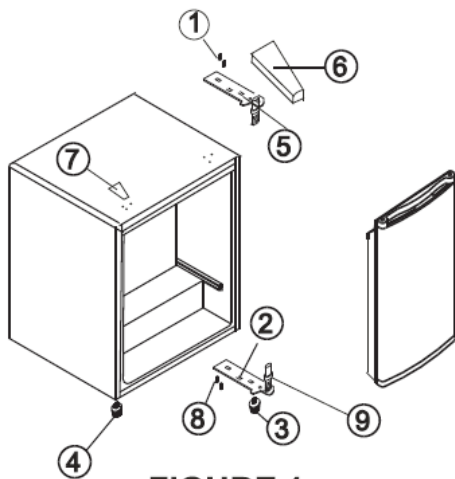


FIGURE 1

Door opening from left side

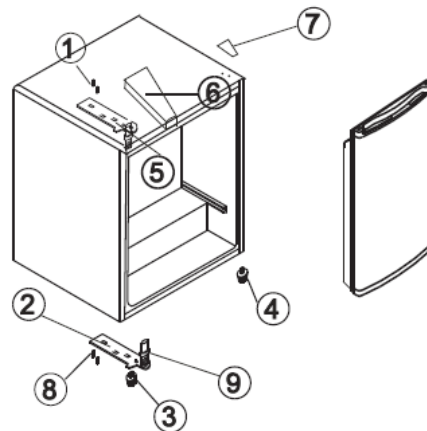


FIGURE 2

Door opening from right side

1. Remove the upper hinge cover (6) first.
2. Remove the two screws (1) that hold the upper hinge (5) (right side) to the frame. Remove the upper hinge.
3. Lift off the door and place it on a padded surface to prevent scratching it.
4. Remove the two screws (8) that hold the lower hinge (2). Remove the lower hinge.
5. Remove the left front leg (4) and transfer it to the right side.
6. Move the hole cover plate (7) to the right side.

7. Before putting the lower hinge (2) into position, remove the bolt-pin (9) and reverse the direction of the lower hinge. Then install the lower hinge onto the left side of the lower frame with two screws (8).
8. Insert the bolt-pin (9) into the lower hinge (2).
9. Set the door into place making sure the door seats onto the lower hinge (2).
10. While holding the door in the closed position, secure the upper hinge (5) in the top frame of the left side with two screws (1). Do not tighten the screws until the top of the door is level with the counter top.
11. Install the hinge cover (6) on the upper hinge.

OPERATING YOUR REFRIGERATOR

Setting the Temperature Control

- Your unit has only one control for regulating the temperature in the refrigerator. The temperature control, or thermostat, is located at the back of the unit.
- The range of the temperature control is from **0** to **5**. The first time you turn the unit on, set the thermostat to its highest setting, which is **5**.
- After 24 to 48 hours, adjust the temperature control to the setting that best suits your needs. The setting of **3** should be appropriate for home or office use.
- To turn the appliance off, turn the temperature control to **0**.

NOTES:

- Turning the temperature control to the **0** position stops the cooling cycle but does not shut off the power to the unit.
- If the unit is unplugged, has lost power, or is turned off, you must wait 3 to 5 minutes before restarting the unit. If you attempt to restart before this time delay, the unit will not start.

Chiller Compartment

This compartment is actually part of the refrigerator compartment and is not a true and separate freezer. It can make ice cubes but may not keep ice cream frozen or get cold enough to freeze foods safely. You can use a colder thermostat setting to freeze certain foods, but other items in the refrigerator may be affected.

The door of the chiller compartment is susceptible to breakage due to excessive ice build-up. This part is not covered under your warranty. Be sure to defrost when the ice reaches a thickness of 1/4".

Defrosting

The surface of the evaporator ices up when the refrigerator is in normal use. When the frost/ice layer reaches a thickness of 1/4", the refrigerator must be defrosted and cleaned. Otherwise, lower efficiency and high energy consumption will result.

1. Take out all food from the refrigerator and leave the door open.
2. Turn the thermostat to the OFF position, **0**, and unplug the refrigerator.
3. Position a shallow tray on the shelf below the chiller compartment.
4. After the ice has melted, dry the unit carefully and empty the drip tray.
5. Reconnect the power and set the thermostat to its original setting; close the door.
6. Allow time for the unit to reach its normal temperature, then reload the food.

CAUTION: Using a sharp or metallic instrument to remove frost may damage the cooling system and will void the warranty. We recommend using a plastic scraper.

CARE AND MAINTENANCE

The refrigerator should be cleaned and maintained once a month. When performing maintenance, make absolutely sure the power plug is first disconnected from the power outlet.

Cleaning

Wipe the inner and outer surfaces of the refrigerator and its accessories with a wet cloth. If necessary, use a solution of a mild detergent, then clean with water and dry with a clean cloth.

When cleaning, do not use hot water, solvents, gasoline, alcohol, kerosene, washing powder, abrasive cleansers, alkali detergents, etc., so as not to damage the surface of the unit. Do not spray the refrigerator directly with water since this could cause rust or damage the insulation.

Be especially careful to keep the sealing gasket around the inner surface of the door clean.

If the plastic parts of the refrigerator remain contaminated for a long time by any type of oil, they will age prematurely and possibly become subject to cracking.

The drainage pan at the back of the unit, above the compressor, should be cleaned regularly.

TROUBLESHOOTING

You can easily solve many common problems with your refrigerator, saving you the cost of a possible service call. Try the suggestions below to see if you can correct the problem before calling the service provider.

Troubleshooting Guide

Refrigerator is not working

Check if there is a power failure.

Check if the power plug is inserted into an outlet.

Check that the fuse has not blown and that the circuit breaker has not tripped.

Refrigerator is cooling excessively

Thermostat may be set too high.

NOTE: If foodstuffs containing a lot of moisture are placed directly under the cool air outlets, they will freeze easily. This does not indicate a malfunction.

Refrigerator is not cooling sufficiently

The food may be packed too tightly which will block the flow of cool air.

Something warm may have been put into the refrigerator.

Too much food may be packed into the refrigerator.

The door may not have been closed properly.

The door gasket may be damaged.

There may not be enough clearance around the refrigerator.

The thermostat may be set incorrectly.

Condensation forms on the outside of the refrigerator

This may occur when the humidity is high, such as during a wet season. This is the same result as when moisture forms when chilled water is poured into a glass. It does not indicate a malfunction. Wipe dry with a clean, dry cloth.

There is the sound of water flowing

This is the sound of the refrigerant flowing through the coils. It does not indicate a malfunction.

The side panel of the cabinet heats up

The side panel of the cabinet will heat up when the door is opened or closed frequently, when starting the unit and when the unit operates in summer with a high ambient temperature. If this happens, do not touch the panel. The heating results from the dissipation of heat from inside the cabinet and does not mean that something is wrong.

LIMITED WARRANTY

ONE YEAR LIMITED WARRANTY

Within the 48 contiguous United States, for one year from the date of purchase, when this appliance is operated and maintained according to instructions attached to or furnished with the product, warrantor will pay for factory-specified parts and repair labor to correct defects in materials or workmanship. Service must be provided by a designated service company. Outside the 48 states, all parts are warranted for one year from manufacturing defects. Plastic parts, shelves and cabinets are warranted to be manufactured to commercially acceptable standards, and are not covered from damage during handling or breakage.

5 YEAR COMPRESSOR WARRANTY

1. The compressor is covered for 5 years.
2. Replacement does not include labor.

ITEMS WARRANTOR WILL NOT PAY FOR:

1. Service calls to correct the installation of your appliance, to instruct you how to use your appliance, to replace or repair fuses or to correct wiring or plumbing.
2. Service calls to repair or replace appliance light bulbs or broken shelves. Consumable parts (such as filters) are excluded from warranty coverage.
3. Damage resulting from accident, alteration, misuse, abuse, fire, flood, acts of God, improper installation, installation not in accordance with electrical or plumbing codes, or use of products not approved by warrantor.
4. Replacement parts or repair labor costs for units operated outside the United States.
5. Repairs to parts or systems resulting from unauthorized modifications made to the appliance.
6. Expenses for travel and transportation for product service in remote locations.
7. The removal and reinstallation of your appliance if it is installed in an inaccessible location or is not installed in accordance with published installation instructions.

DISCLAIMER OF IMPLIED WARRANTIES – LIMITATION OF REMEDIES

CUSTOMER'S SOLE AND EXCLUSIVE REMEDY UNDER THIS LIMITED WARRANTY SHALL BE PRODUCT REPAIR AS PROVIDED HEREIN. IMPLIED WARRANTIES, INCLUDING WARRANTIES OF MERCHANTABILITY OR FITNESS FOR A PARTICULAR PURPOSE, ARE LIMITED TO ONE YEAR. WARRANTOR SHALL NOT BE LIABLE FOR INCIDENTAL OR CONSEQUENTIAL DAMAGES. SOME STATES DO NOT ALLOW THE EXCLUSION OR LIMITATION OF INCIDENTAL OR CONSEQUENTIAL DAMAGES, OR LIMITATIONS ON THE DURATION OF IMPLIED WARRANTIES OF MERCHANTABILITY OR FITNESS, SO THESE EXCLUSIONS OR LIMITATIONS MAY NOT APPLY TO YOU. THIS WARRANTY GIVES YOU SPECIFIC LEGAL RIGHTS AND YOU MAY ALSO HAVE OTHER RIGHTS, WHICH VARY FROM STATE TO STATE.

FELIX STORCH, INC.
770 Garrison Avenue
Bronx, NY 10474
Phone: (718) 893-3900
Fax: (718) 842-3093
www.summitappliance.com



For parts and accessory ordering,
troubleshooting and helpful hints, visit:
www.summitappliance.com/support