

# PARTS LIST

for



## COMMERCIAL AUTOMATIC WASHER

MODEL  
CAM2752TQ3



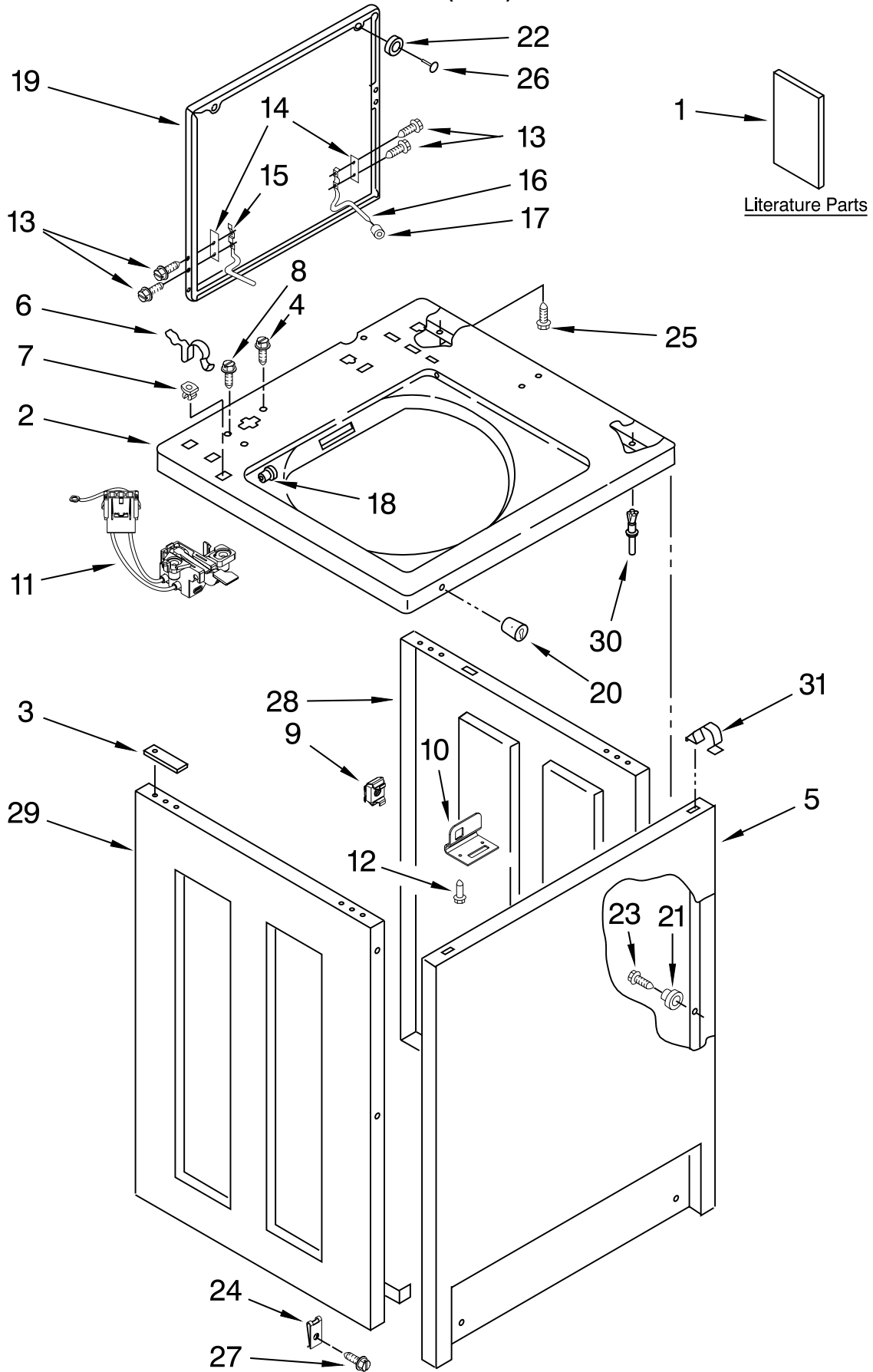
FOR CUSTOMER SATISFACTION ALWAYS USE  
FACTORY SPECIFICATION PARTS



© 2011 WHIRLPOOL CORPORATION

# TOP AND CABINET PARTS

For Models: CAM2752TQ3  
(White)



FOR ORDERING INFORMATION REFER TO PARTS PRICE LIST

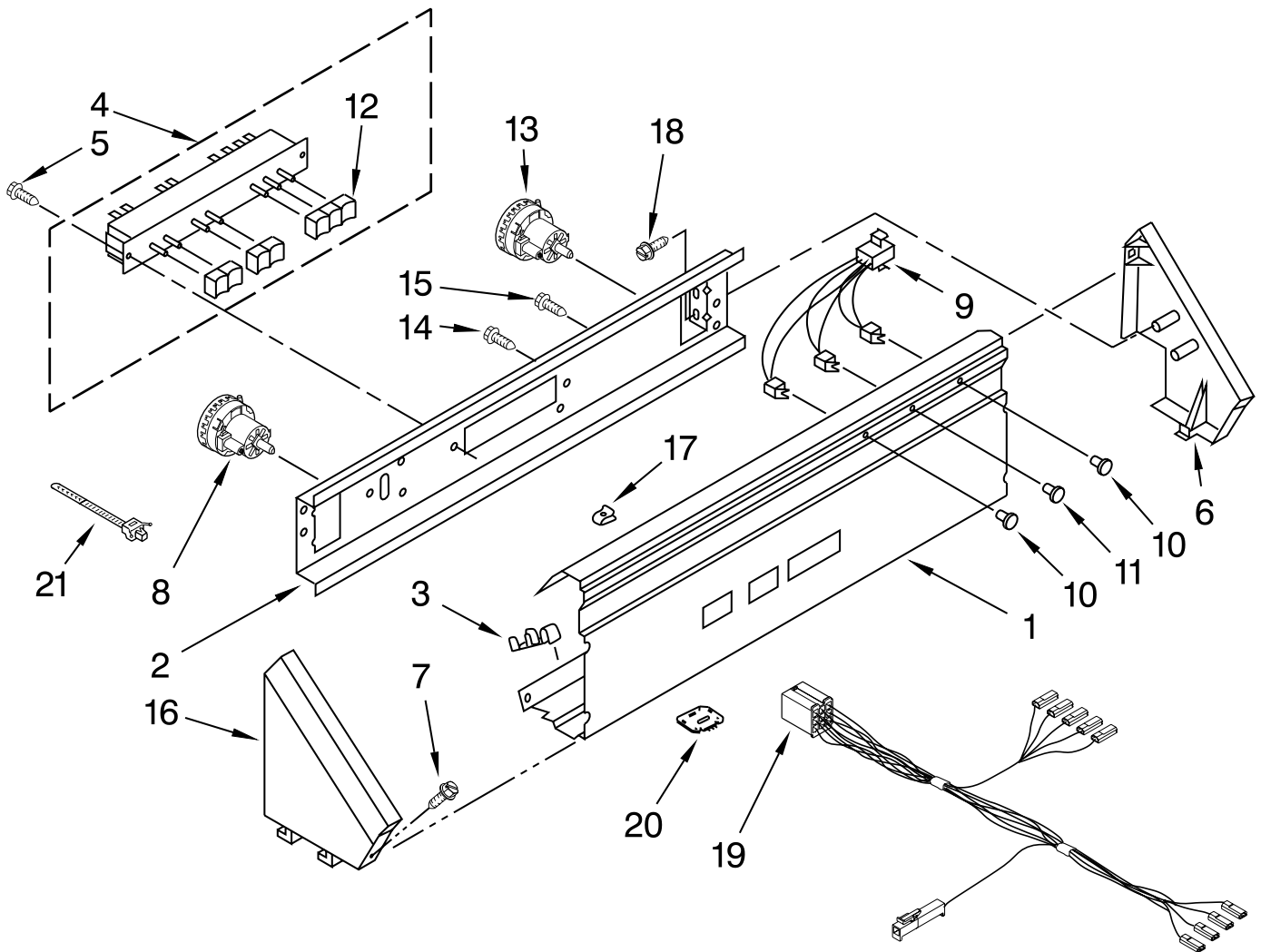
# TOP AND CABINET PARTS

For Models: CAM2752TQ3  
(White)

| <u>Illus.</u> | <u>Part</u> | <u>DESCRIPTION</u>                      |
|---------------|-------------|---|
| <u>No.</u>    | <u>No.</u>  |   |
| 1             |             | Literature Parts                        |
|               | 8316532     | Instructions,<br>Coin Kit               |
|               | W10135801   | Wiring Diagram                          |
|               | W10422258   | Energy Guide                            |
|               | 8315954     | Installation,<br>Instructions           |
| 2             | 8524688     | Top                                     |
| 3             | 3353950     | Spacer, Cabinet To<br>Top (4)           |
| 4             | 3351614     | Screw, Ground                           |
| 5             | 3358500     | Panel, Front                            |
| 6             | 62780       | Clip, Top & Cabinet<br>& Rear Panel (2) |
| 7             | 358473      | Nut, Push-In (2)                        |
| 8             | 3400611     | Screw,<br>Lid Switch                    |
| 9             | 90406       | Cage Nut                                |
| 10            | 3353948     | Bracket, Lock                           |
| 11            | 8054980     | Switch, Lid                             |
| 12            | 63554       | Rivet (2)                               |
| 13            | W10119828   | Screw, Lid Hinge<br>Mounting (4)        |
| 14            | 21097       | Pad, Lid Hinge (2)                      |
| 15            | 8524784     | Hinge, Lid (L.H.)                       |
| 16            | 54583       | Hinge, Lid (R.H.)                       |
| 17            | 19119       | Bumper, Lid Hinge                       |
| 18            | 21258       | Bearing, Lid<br>Hinge (2)               |
| 19            | W10171146   | Lid                                     |
| 20            | 387371      | Plug Lock                               |
| 21            | 3353812     | Locator (4)                             |
| 22            | 356908      | Bumper, Lid                             |
| 23            | 3400804     | Screw (4)                               |
| 24            | W10004930   | Clip, U-Bend (2)                        |
| 25            | 3353993     | Screw (2)                               |
| 26            | 356907      | Rivet, Plastic                          |
| 27            | 3393258     | Screw, Panel<br>Mtg. (2)                |
| 28            | 3976380     | Side Panel (RH)                         |
| 29            | 3976382     | Side Panel (LH)                         |
| 30            | 3353949     | Pin, Locator (2)                        |
| 31            | 18776       | Lock (2)                                |

# CONTROL PANEL PARTS

For Models: CAM2752TQ3  
(White)



| Illus. No. | Part No.  | DESCRIPTION   |
|------------|-----------|---|
| 1          | 8577883   | Panel, Console  |
| 2          | 3978858   | Bracket, Control  |
| 3          | W10113937 | Clip, Grounding   |
| 4          | W10330140 | Switch, Cycle Selector<br>(Includes Item 12)                          |
| 5          | 3390646   | Screw, 8-18 X 5/16  |
| 6          | 3949740   | End Cap (R.H.)  |
| 7          | 8281182   | Screw (2)   |
| 8          | W10414164 | Pressure Switch, High Water Level<br>(Includes "T" Fitting-Not Shown) |

| Illus. No. | Part No.  | DESCRIPTION                      |
|------------|-----------|----------------------------------|
| 9          | 3352457   | Lights, Indicator                |
| 10         | 3348109   | Lens, Amber (2)                  |
| 11         | 3348110   | Lens, Yellow (1)                 |
| 12         | 8316433   | Pushbutton (7)                   |
| 13         | W10414162 | Pressure Switch, Low Water Level |
| 14         | 3400073   | Screw, 10-24 x 3/8               |
| 15         | 90767     | Screw, 8-18 x 3/8 (2)            |

| Illus. No. | Part No.  | DESCRIPTION                    |
|------------|-----------|--------------------------------|
| 16         | 3949734   | End Cap (L.H.)                 |
| 17         | 689559    | Nut, Push-In (2)               |
| 18         | 97787     | Screw, End Cap To Bracket (4)  |
| 19         | W10138030 | Harness, Console Wiring        |
| 20         | 8578168   | Control, Automatic Temp. (ATC) |
| 21         | W10231379 | Cable Tie                      |

FOR ORDERING INFORMATION REFER TO PARTS PRICE LIST

# METER CASE PARTS

For Models: CAM2752TQ3  
(White)

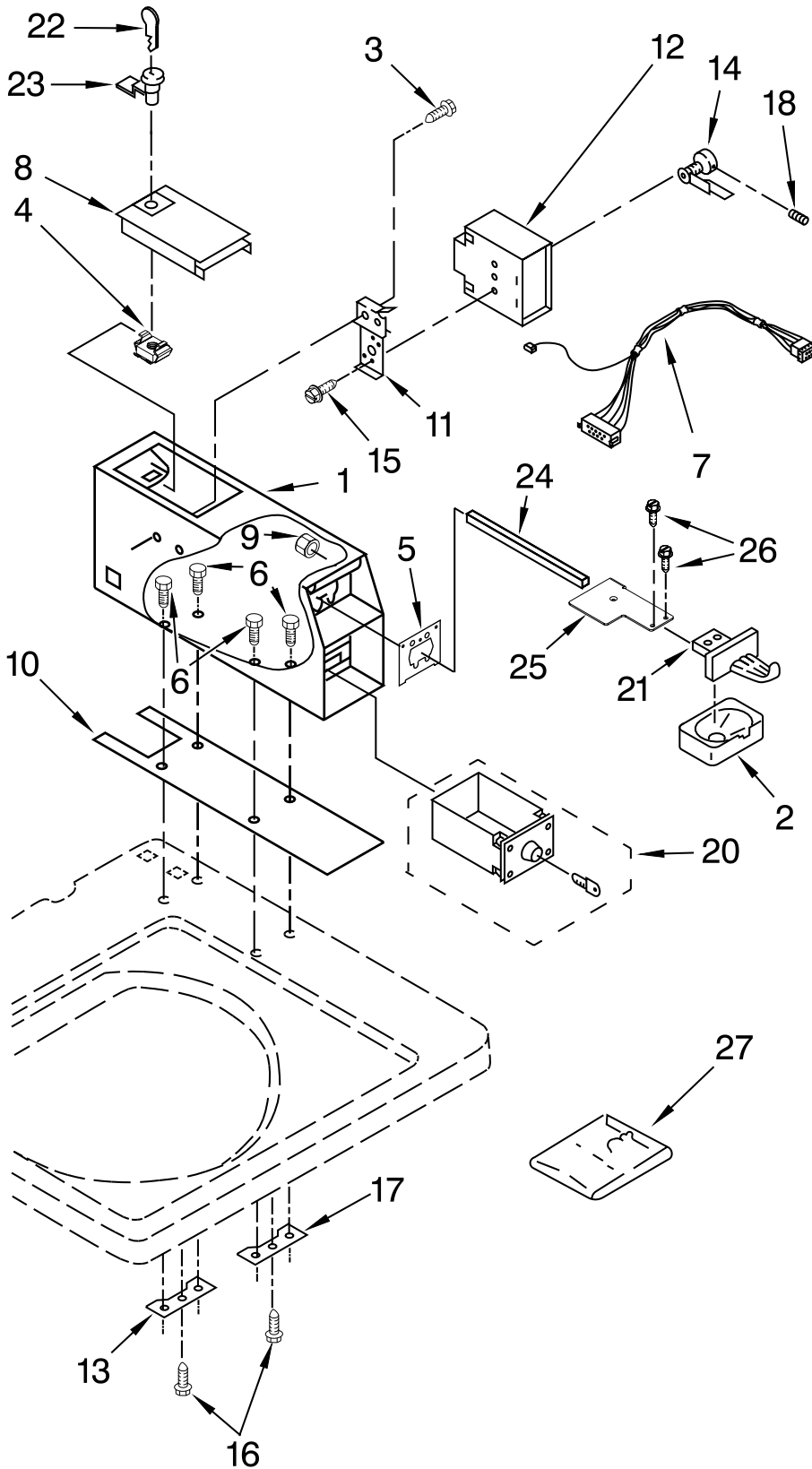
| Illus. No. | Part No.   | DESCRIPTION                         |
|------------|------------|-------------------------------------|
| 1          | 3406994    | Meter Case                          |
| 2          | 385421     | Funnel, Coin                        |
| 3          | 339805     | Screw,<br>10-32 X 3/16              |
| 4          | 90406      | Nut, Cage                           |
| 5          | 3954761    | Plate, Adapter<br>(Includes Item 2) |
| 6          |            | Bolt, Meter Case                    |
|            | 3353994    | 5/16-18 x 2.5 (1)                   |
|            | 3349065    | 5/16-24 x 1 (3)                     |
| 7          | W10138351  | Wire Harness,<br>Timer              |
| 8          | 3351136    | Door, Service                       |
| 9          | 3400029    | Nut, Adapter<br>Plate (3)           |
| 10         | 3954812    | Cushion, Case                       |
| 11         | 385575     | Bracket, Timer                      |
| 12         | W10112081  | Timer, 60 Hz.                       |
| 13         | 3353813    | Plate, Mounting                     |
| 14         | 385571     | Clutch, Timer                       |
|            | 354987     | E-Ring                              |
| 15         | 3400064    | Screw, Timer                        |
| 16         | 98445      | Screw, 10-16 x 3/4                  |
| 17         | 3347825    | Plate, Mounting                     |
| 18         | 98654      | Screw, Set (2)                      |
| 20         | *8316525   | Money Box<br>(Includes Key)         |
| 21         | *W10111673 | Coin Chute                          |
| 22         | *W10114740 | Key, Service Door                   |
| 23         | *8316526   | Security Lock &<br>Cam Assembly     |
| 24         | *8318517   | Bolt,<br>Coin Chute                 |
| 25         | *8316522   | Extension                           |
| 26         | *3400086   | Screw, 10-32 x 3/8                  |
| 27         | *8316524   | Kit,<br>Chute Decal                 |

Coin Mechanism Parts May Be  
Ordered From Whirlpool (\*)  
Or Vendor(s) Listed Below

◆ ESD  
270 New Jersey Dr.  
Fort Washington, PA  
19034

1-800-523-1510

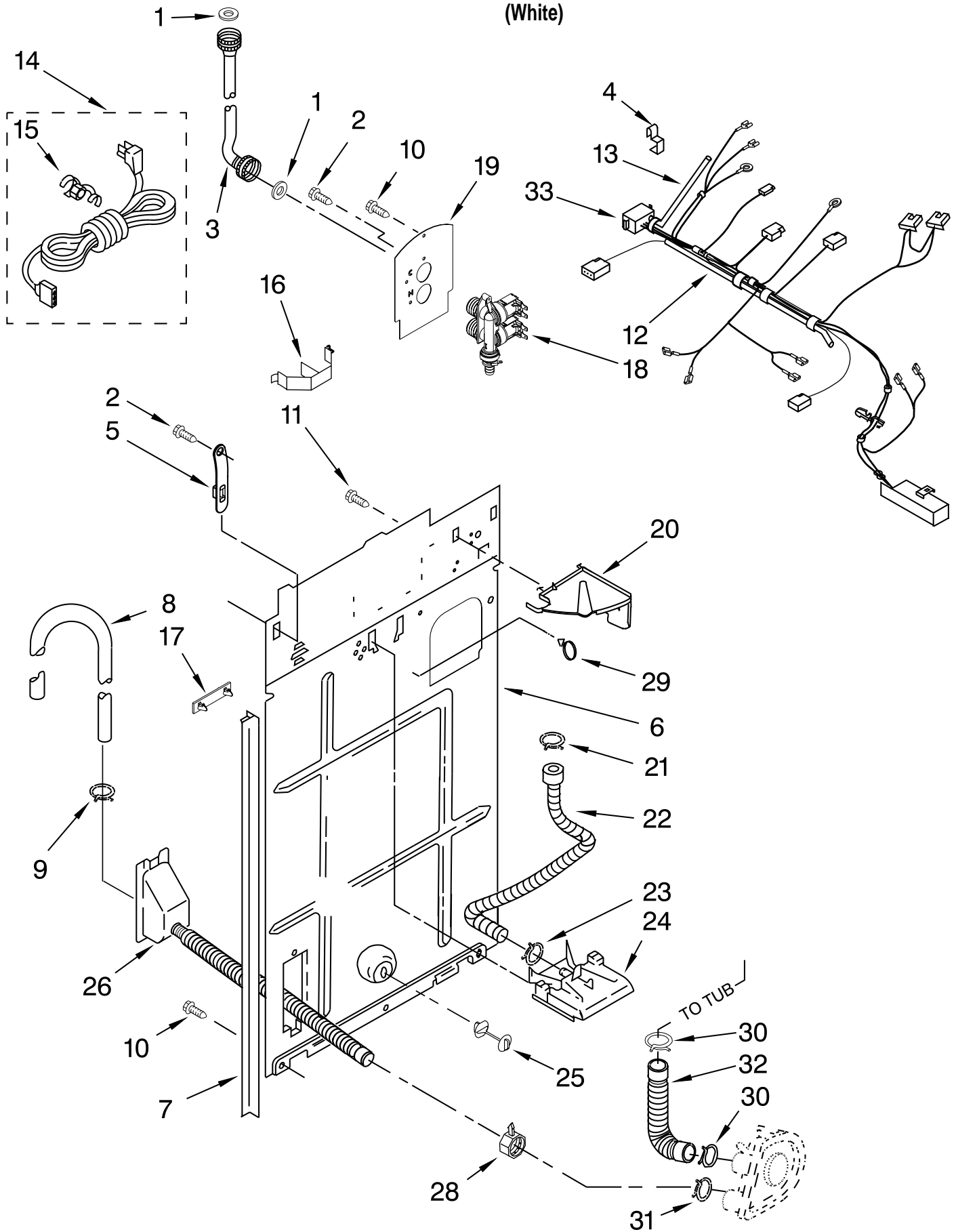
info@esdcoin.com



FOR ORDERING INFORMATION REFER TO PARTS PRICE LIST

# REAR PANEL PARTS

For Models: CAM2752TQ3  
(White)



FOR ORDERING INFORMATION REFER TO PARTS PRICE LIST

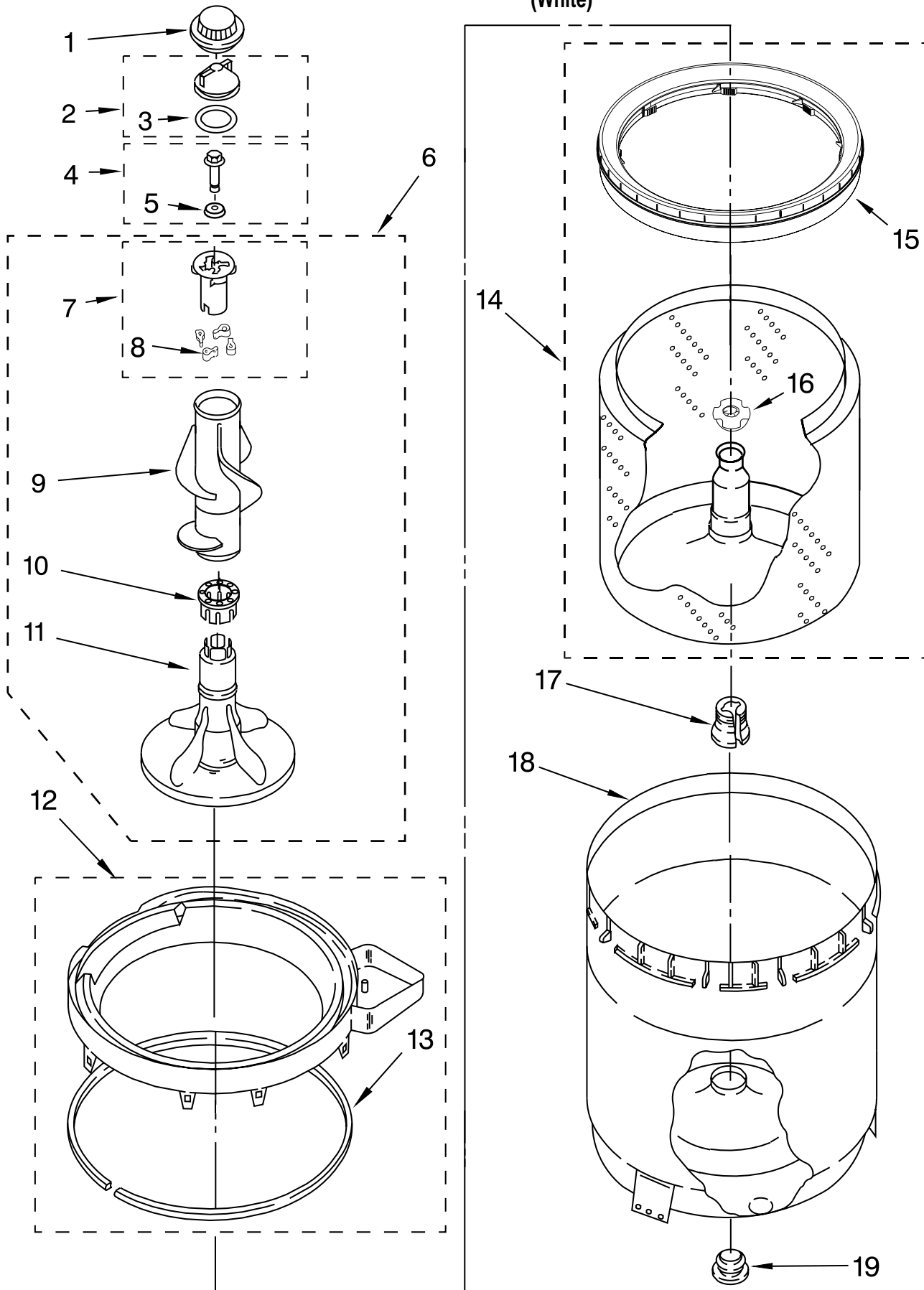
# REAR PANEL PARTS

For Models: CAM2752TQ3  
(White)

| Illus. No. | Part No.  | DESCRIPTION                                 | Illus. No. | Part No. | DESCRIPTION                             | Illus. No.                             | Part No.  | DESCRIPTION                              |
|------------|-----------|---|------------|----------|---|--|-----------|--|
| 1          | W10242307 | Washer, Water Inlet Hose (4) (1-1/16 x 5/8) | 13         | 8524791  | Hose, Pressure Switch Link              | 26                                     | W10358149 | Drain Hose Assembly (Includes Item 28)   |
| 2          | 9740848   | Screw, 8-18 x 1/2                           | 14         | 3976231  | Cord, Power                             | 28                                     | 3976395   | Restraint, Hose                          |
| 3          |           | Hose, Water Inlet                           | 15         | 3952821  | Strain Relief, Power Cord To Rear Panel | 29                                     | 8559320   | Restraint, Hose                          |
|            | 3949380   | Blue Coupler                                | 16         | 8055003  | Clip, Harness & Pressure Hose           | 30                                     | 3363366   | Clamp, Hose                              |
|            | 3949381   | Red Coupler                                 | 17         | 389379   | Retainer (2) Side/Feature Panel         | 31                                     | 3366912   | Clamp, Hose                              |
| 4          | 8282518   | Clip, Harness                               | 18         | 3979347  | Valve, Water Inlet & Thermistor Assy.   | 32                                     | 3951449   | Hose, Pump To Tub (Includes Item 30)     |
| 5          | 8568314   | Strap, Console (2)                          | 19         | 8541624  | Plate, Mixing Valve                     | 33                                     | W10114216 | Harness, Wiring (Includes Items 12 & 13) |
| 6          | 8541649   | Panel, Rear (Includes Items, 5,15 & 35)     | 20         | 8539874  | Shield, Suds                            | <b>FOLLOWING PARTS NOT ILLUSTRATED</b> |           |  |
| 7          | 3354204   | Pad, Rear Panel (2)                         | 21         | 301958   | Clamp, Hose                             | 3954579 Miscellaneous Parts Bag        |           |  |
| 8          | 96743     | Hose, Drain (4')                            | 22         | 8317974  | Hose, Vacuum Break                      |  |           |  |
| 9          | 8317496   | Clamp, Hose                                 | 23         | 370450   | Clamp, Hose                             |  |           |  |
| 10         | 62863     | Screw, 10-16 x 3/8                          | 24         | 387606   | Break, Vacuum                           |  |           |  |
| 11         | 3351614   | Screw, 10-24 X 3/8                          | 25         | 8519200  | Support, Rear Panel                     |  |           |  |
| 12         | 8524801   | Hose, Pressure Switch To Air Dome           |            |          |   |  |           |  |

# AGITATOR, BASKET AND TUB PARTS

For Models: CAM2752TQ3  
(White)



FOR ORDERING INFORMATION REFER TO PARTS PRICE LIST

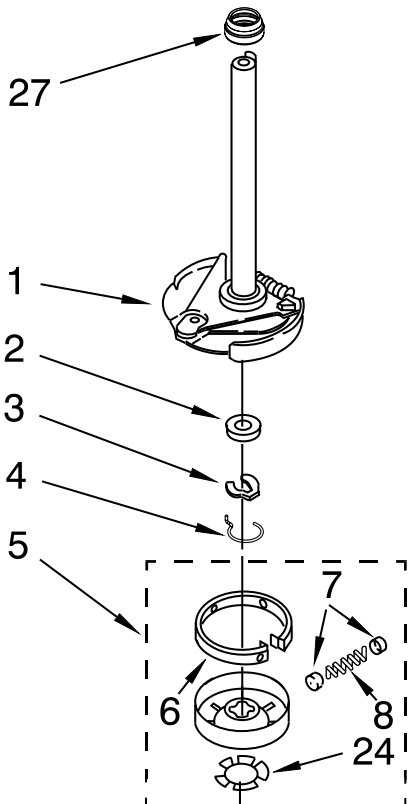
# AGITATOR, BASKET AND TUB PARTS

For Models: CAM2752TQ3  
(White)

| <b>Illus.</b> | <b>Part</b> |                                 |
|---------------|-------------|---------------------------------|
| <b>No.</b>    | <b>No.</b>  | <b>DESCRIPTION</b>              |
| 1             | 3355758     | Cap, Agitator                   |
| 2             | 387094      | Cap, Barrier                    |
| 3             | W10072840   | Seal, Inner Cap                 |
| 4             | W10003790   | Screw & Washer<br>(5/16-24 X 1) |
| 5             | 3949550     | Washer                          |
| 6             | 3349743     | Agitator<br>(Complete)          |
| 7             | 3947410     | Cam, Driven                     |
| 8             | 3366877     | Dog, Agitator<br>Clutch (4)     |
| 9             | 3349610     | Clothes Mover                   |
| 10            | 3351014     | Spacer, Thrust                  |
| 11            | 3349578     | Agitator                        |
| 12            | 8528150     | Tub Ring & Gasket               |
| 13            | 3976308     | Gasket, Tub Ring                |
| 14            | W10389329   | Clothes Container,<br>Assembly  |
| 15            | 387240      | Balance Ring                    |
| 16            | 21366       | Nut, Spanner                    |
| 17            | 389140      | Block, Basket<br>Drive          |
| 18            | W10135425   | Tub                             |
| 19            | 383727      | Gasket, Centerpost              |

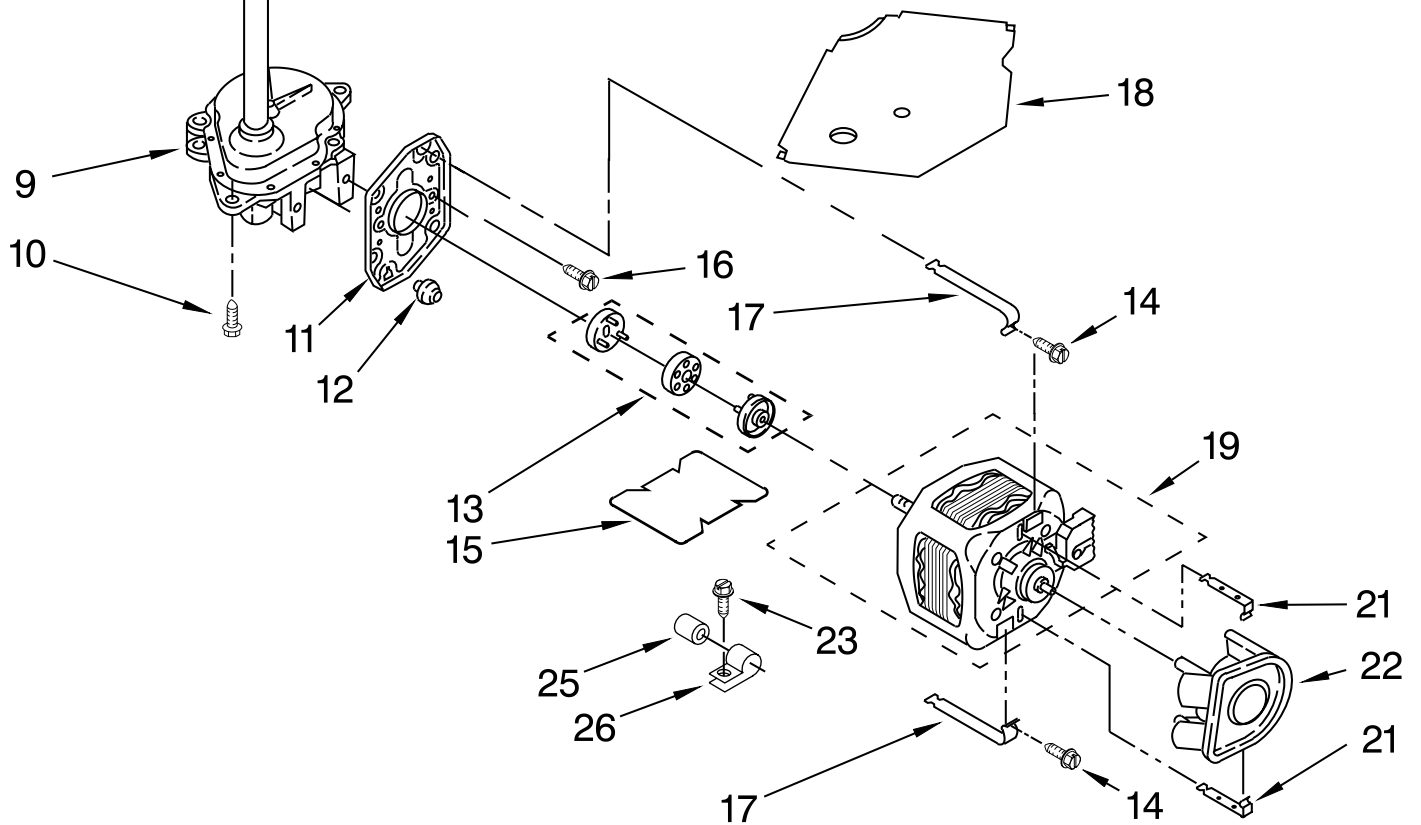
# BRAKE, CLUTCH, GEARCASE, MOTOR AND PUMP PARTS

For Models: CAM2752TQ3  
(White)



| Illus. No. | Part No. | DESCRIPTION  |
|------------|----------|--|
| 1          | 388952   | Brake & Drive Tube (Complete) (Refer to Page 12 For Further Breakdown) |
| 2          | 63292    | Washer, Spin Tube Thrust   |
| 3          | 62697    | Ring, Spin Tube Support  |
| 4          | 63283    | E-Clip, Clutch Retainer  |
| 5          | 8299642  | Clutch (Complete)  |
| 6          | 3951993  | Band & Lining, Clutch (Includes Items 7 & 8)                           |
| 7          | 62646    | Cap, Clutch Spring (2)   |
| 8          | 8559387  | Spring, Clutch   |
| 9          | 3360630  | Gearcase (Complete) (Refer To Page 13 For Further Breakdown)           |
| 10         | 3357334  | Screw, Gearcase To Base (3)  |

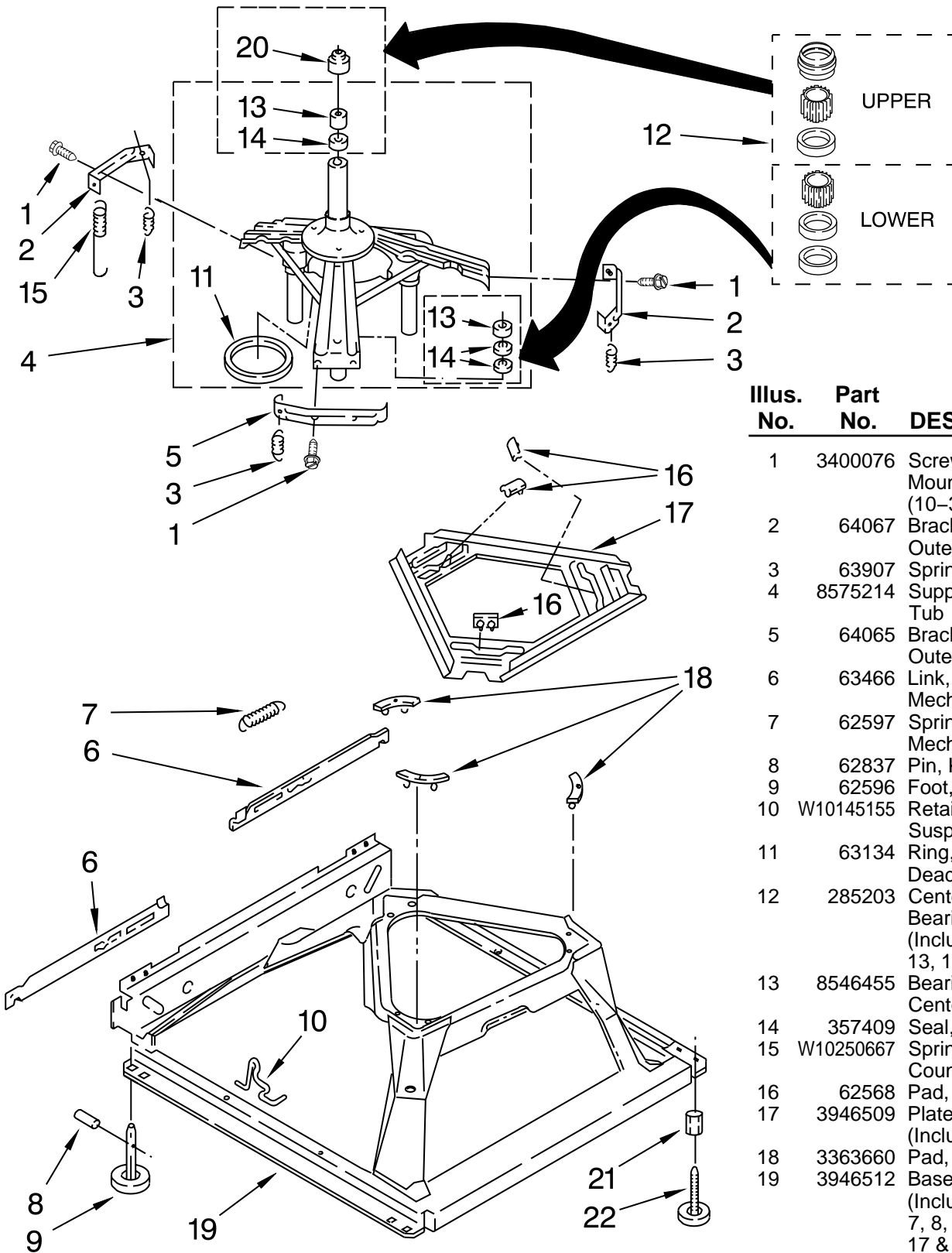
| Illus. No. | Part No.  | DESCRIPTION                    |
|------------|-----------|--------------------------------|
| 11         | 62611     | Plate, Motor Mount To Gearcase |
| 12         | 62691     | Grommet, Motor (4)             |
| 13         | 3978849   | Coupling, Motor And Isolation  |
| 14         | 3387485   | Screw (2) #10-16 x 5/8         |
| 15         | 3946532   | Shield, Motor                  |
| 16         | 3400516   | Bolt, Motor Plate              |
| 17         | W10086010 | Retainer, Motor (2)            |
| 18         | 3362089   | Shield, Tub To Motor           |
| 19         | 661600    | Motor, Main Drive              |
| 21         | 8546127   | Retainer, Pump (2)             |
| 22         | 3363394   | Pump (Complete)                |
| 23         | 62863     | Screw, 10-16 x 3/8             |
| 24         | 3355454   | Clip, Anti-Rattle              |
| 25         | 8572717   | Capacitor                      |
| 26         | 3949496   | Clamp, Capacitor               |
| 27         | 8577374   | Seal, Shaft                    |



FOR ORDERING INFORMATION REFER TO PARTS PRICE LIST

# MACHINE BASE PARTS

For Models: CAM2752TQ3  
(White)

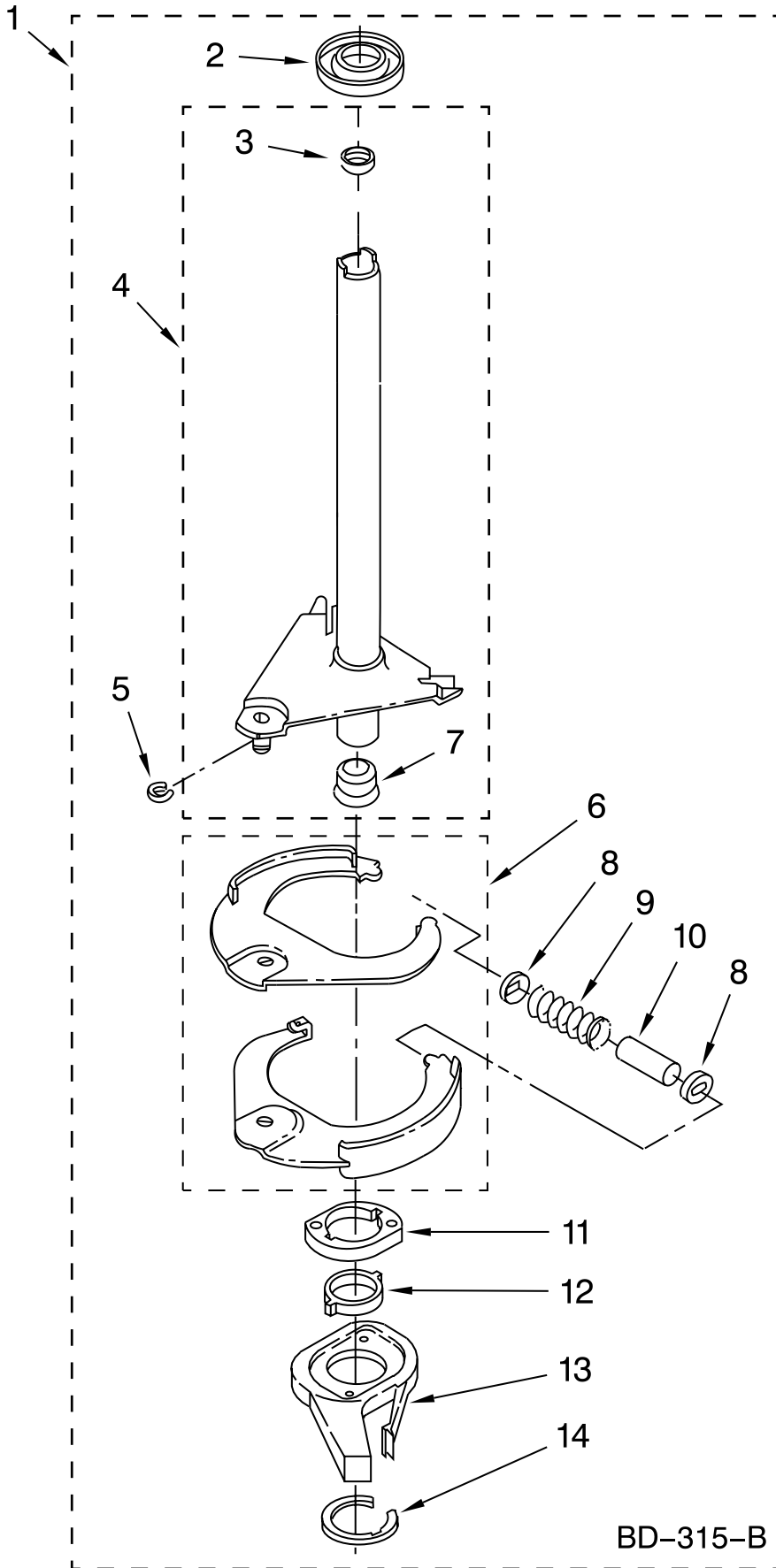


| Illus. No. | Part No.  | DESCRIPTION  |
|------------|-----------|--|
| 1          | 3400076   | Screw, Bracket Mounting (10-32 x 5/8)                      |
| 2          | 64067     | Bracket, Spring Outer (2)                                  |
| 3          | 63907     | Spring, Suspension (3)                                     |
| 4          | 8575214   | Support & Brake, Tub                                       |
| 5          | 64065     | Bracket, Spring Outer (L.F.)                               |
| 6          | 63466     | Link, Leveling Mechanism (2)                               |
| 7          | 62597     | Spring, Leveling Mechanism                                 |
| 8          | 62837     | Pin, Knurled   |
| 9          | 62596     | Foot, Rear (2)   |
| 10         | W10145155 | Retainer, Suspension Spring                                |
| 11         | 63134     | Ring, Sound Deadening                                      |
| 12         | 285203    | Centerpost Bearing Kit (Includes Items 13, 14 & 20)        |
| 13         | 8546455   | Bearing, Centerpost (2)                                    |
| 14         | 357409    | Seal, Centerpost (3)                                       |
| 15         | W10250667 | Spring, Counterweight                                      |
| 16         | 62568     | Pad, Plate   |
| 17         | 3946509   | Plate, Suspension (Includes Item 16)                       |
| 18         | 3363660   | Pad, Base  |
| 19         | 3946512   | Base Assembly (Includes Items 6, 7, 8, 9, 10, 16, 17 & 18) |
| 20         | 8577376   | Seal, Centerpost   |
| 21         | 3359452   | Nut, Lock (3/8-16)   |
| 22         | W10001130 | Foot, Front (2)  |

FOR ORDERING INFORMATION REFER TO PARTS PRICE LIST

# BRAKE AND DRIVE TUBE PARTS

For Models: CAM2752TQ3  
(White)



| Illus. No. | Part No. | DESCRIPTION                                      |
|------------|----------|--|
| 1          | 388952   | Brake And Drive Tube (Complete)                  |
| 2          | 62658    | Ring, Thrust                                     |
| 3          | 356427   | Seal, Drive Tube                                 |
| 4          | 64027    | Tube, Basket Drive (Includes Illus. 3, 4, 5 & 9) |
| 5          | 64035    | Ring, Retaining                                  |
| 6          | 64232    | Shoe, Brake (2)                                  |
| 7          | 62703    | "T" Bearing, Spin Tube                           |
| 8          | 3353956  | Cap, Brake Spring (2)                            |
| 9          | 387806   | Spring, Brake                                    |
| 10         | 3355360  | Sleeve, Brake Spring                             |
| 11         | 661516   | Cam, Brake Release                               |
| 12         | 63022    | Sleeve, Cam                                      |
| 13         | 64194    | Driver, Brake Cam                                |
| 14         | 90368    | Ring, Retaining                                  |

**FOLLOWING PARTS NOT ILLUSTRATED**

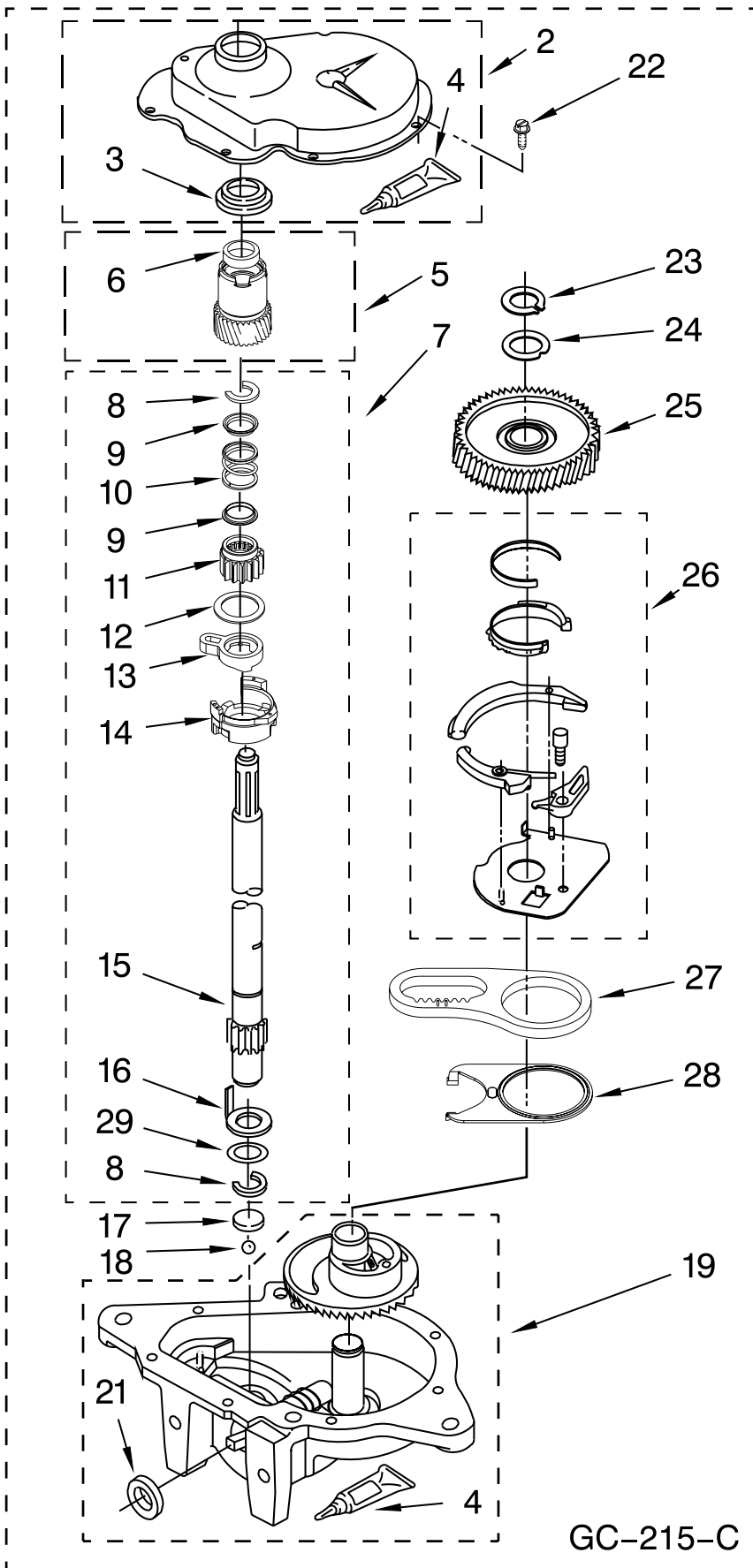
285208 Lubricant  
(Use Only In Brake Shoe Assembly On Roller & Pin)

BD-315-B

FOR ORDERING INFORMATION REFER TO PARTS PRICE LIST

# GEARCASE PARTS

For Models: CAM2752TQ3  
(White)



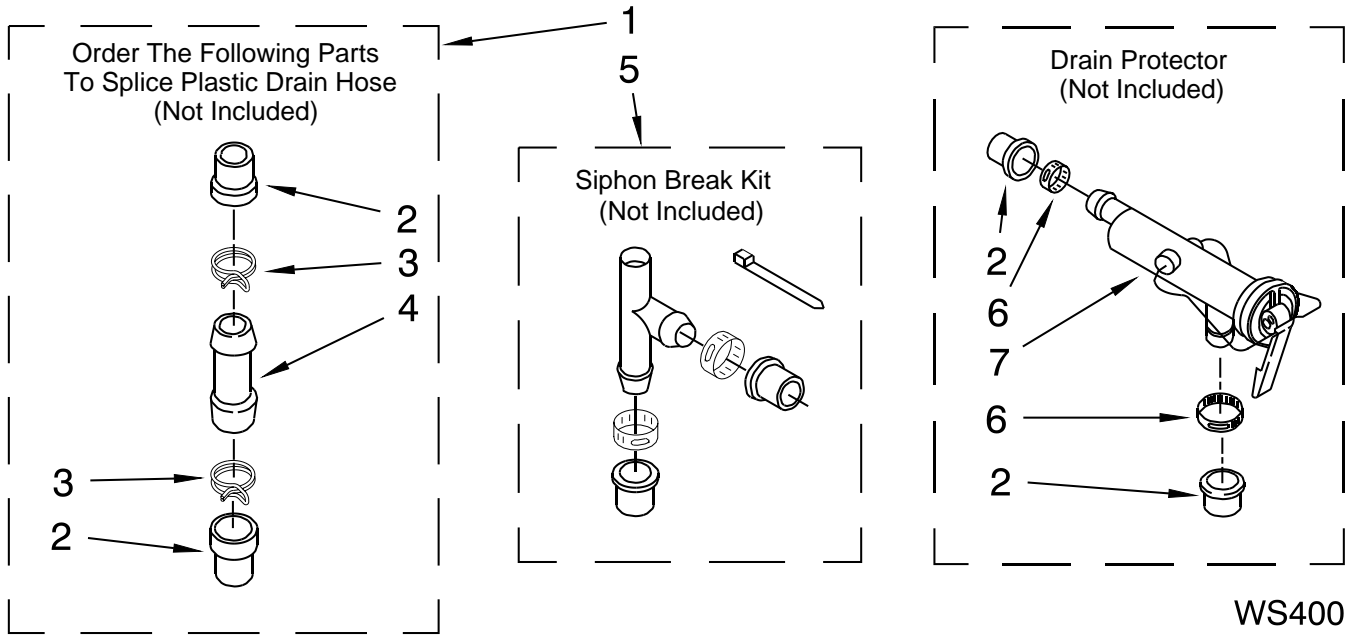
| Illus. No. | Part No. | DESCRIPTION                                       |
|------------|----------|---|
| 1          | 3360630  | Gearcase (Complete)                               |
| 2          | 285202   | Cover, Gearcase                                   |
| 3          | 3349985  | Seal, Gearcase Cover                              |
| 4          | 285195   | Sealer, Gasket (.20 Fl. Oz.) (6 ml)               |
| 5          | 63320    | Pinion, Spin (Includes Illus. 25)                 |
| 6          | 356427   | Seal, Spin Pinion                                 |
| 7          | 389387   | Shaft, Agitator (Complete)                        |
| 8          | 90369    | Ring, Retaining (2)                               |
| 9          | 62677    | Retainer, Spring                                  |
| 10         | 62676    | Spring, Agitate                                   |
| 11         | 63273    | Gear, Agitate (Includes 15 and 29)                |
| 12         | 62619    | Washer, Agitate Gear                              |
| 13         | 62580    | Cam Follower (Includes 14)                        |
| 14         | 62581    | Cam, Agitate (Includes 13)                        |
| 15         | 285509   | Shaft, Agitator (Includes 11 and 29)              |
| 16         | 62618    | Washer, Cam Thrust                                |
| 17         | 16018    | Bearing, Thrust                                   |
| 18         | 85529    | Ball, Bearing                                     |
| 19         | 389230   | Bottom and Pinion, Gearcase                       |
| 21         | 285352   | Seal, Thrust Plug                                 |
| 22         | 3351614  | Screw, Gearcase Cover, Mounting (8) (10-24 x 3/8) |
| 23         | 3362552  | Ring, Retaining                                   |
| 24         | 285735   | Washer Kit, Thrust                                |
| 25         | 62570    | Gear, Spin  |
| 26         | 388253   | Neutral Assembly                                  |
| 27         | 3349296  | Rack, Connecting                                  |
| 28         | 62621    | Actuator, Shift                                   |
| 29         | 388815   | Washer, Intermediate                              |

GC-215-C

FOR ORDERING INFORMATION REFER TO PARTS PRICE LIST

# WATER SYSTEM PARTS

For Models: CAM2752TQ3  
(White)



| Illus. No. | Part No. | DESCRIPTION                       |
|------------|----------|-----------------------------------|
| 1          | 285442   | Connector Kit, Plastic Drain Hose |
| 2          | 285321   | Sleeve Kit, (Contains 2 Sleeves)  |
| 3          | 370447   | Clamp, Hose                       |
| 4          | 16272    | Connector, Straight               |
| 5          | 285320   | Siphon Break Kit (Not Included)   |
| 6          | 65349    | Clamp, Hose                       |
| 7          | 367031   | Drain Protector (Not Included)    |

FOR ORDERING INFORMATION REFER TO PARTS PRICE LIST

# OPTIONAL PARTS (NOT INCLUDED)

For Models: CAM2752TQ3  
(White)

| <b>Illus. No.</b> | <b>Part No.</b> | <b>DESCRIPTION</b> |
|-------------------|-----------------|--------------------|
|-------------------|-----------------|--------------------|

## PAINT, TOUCH-UP (1/2oz.)

72017 White

## PAINT, PRESSURIZED SPRAY (12 oz.)

350938 Primer, Gray  
350930 White

## PAINT, BULK (1 qt.)

799344 White (Uncut)

## OIL

350572 Oil, Gearcase  
(16 Oz.)

## LUBRICANT

285208 Lubricant (Use  
Only in Brake  
Shoe Assembly  
On Roller and  
Pin)  
389236 Lubricant,  
Agitator Spline

## SEALER

285195 Sealer, Gasket  
(.20 Fl. Oz.) (6 ml)