

REFRIGERATION FREEDOM COLLECTION®

Freedom to personalize. Freedom to go modular. Freedom to integrate your refrigeration with the design of your kitchen. That's what makes Thermador Freedom® Refrigeration the leader in true flush, tall door design. Unlike the old-fashioned, force-fit restrictions of semi-flush products, Freedom® Refrigeration solutions integrate seamlessly into your kitchen design, with custom fronts and concealed venting grille.

Our portfolio of custom panel models—available in 18", 24", 30" and 36" widths—offers the most design choices in the industry, allowing you to configure your own unique combination of bottom freezers, fresh food, freezer and wine preservation columns. And nothing beats the convenience of our pre-assembled bottom freezers, ready to install straight from the factory. Equipped with flat stainless steel panels and either Professional or Masterpiece® Handles set off by a removable stainless steel frame, these units deliver perfect built-in fit and aesthetics in a 24" or 25" deep cabinet.



THE NEXT GENERATION OF REFRIGERATION

When it comes to refrigeration, culinary enthusiasts want more than mere preservation. They want personalization. Thermador Culinary Preservation Centers offer an amazing array of refrigerator, freezer and wine center combinations that allow for flexibility and customization in the kitchen. Combine a French door bottom freezer with a wine column. Make a dramatic statement with wine storage flanked by freezer and refrigerator columns. Today's affluent consumers are leaving yesteryear's semi-flush products for fully-flush, integrated refrigeration to achieve the design they envision. Culinary Preservation Centers offer configuration possibilities that are an exciting departure from the rigid conformity of side-by-side replacement options. Be inspired.

EXPERIENCE THE FREEDOM TO DO MORE WITH THERMADOR.



THE ULTIMATE CULINARY PRESERVATION CENTERS EXCLUSIVE DETAILS



ULTIMATE ENTERTAINER

- 30" Fresh Food
- 24" Wine Column
- 30" Fresh Food/Freezer



WEEKEND ENTERTAINER

- 30" Fresh Food
- 18" Wine Column
- 30" Fresh Food/Freezer



SOCIAL ENTERTAINER

- 36" French Door Fresh Food/Freezer
- 24" Wine Column



CONTEMPORARY FAMILY

- 30" Fresh Food
- 24" Wine Column
- 36" Fresh Food/Freezer



URBAN FAMILY

- 24" Fresh Food
- 18" Freezer



WEEKDAY ENTERTAINER

- 30" Fresh Food
- 18" Freezer



HOLIDAY ENTERTAINER

- 36" Side-Swing Door Fresh Food/Freezer
- 24" Wine Column



ORGANIC FAMILY

- 36" French Door Fresh Food/Freezer
- 18" Wine Column



MARKET FRESH ENTERTAINER

- 36" Side-swing Door Fresh Food/Freezer
- 18" Wine Column



EVERYDAY COOK

- 36" French Door Fresh Food/Freezer



HEALTHY FAMILY

- 36" Side-swing Door Fresh Food/Freezer

These are creative illustrations meant to display the flexibility of the Thermador Freedom® Collection and column refrigeration versatility. Please refer to the Thermador Kitchen Design and Planning Guide for all dimensions, specifications, and other requirements



FREEDOM® REFRIGERATION

FREEDOM® COLLECTION DESIGN INSPIRATION

The Thermador Freedom® Collection facilitates a complete range of new and unique possibilities for your cutting-edge kitchen design. Choose models with custom panels for fully flush integration into the surrounding kitchen cabinetry or pre-assembled bottom freezers for popular, effortless installations.

All models are stand-alone independent units—use your imagination to arrange them into your kitchen as desired—either as single columns or in a wide array of possible side-by-side combinations. It's complete freedom of choice—and freedom of kitchen design.



KITCHEN DESIGN BY: STEVEN BRICKER, MURPHY MEARS ARCHITECTS & WM. T. CANNADY



1.800.735.4328 | THERMADOR.COM

FREEDOM® COLLECTION DESIGN INSPIRATION

FREEDOM® REFRIGERATION | DESIGN INSPIRATION



1.800.735.4328 | THERMADOR.COM



UNLIMITED FLEXIBILITY IN BOTH FUNCTION AND DESIGN

THEATER LED LIGHTING

Theater LED lighting fades in when the unit is opened and illuminates all items from the front and sides—so that all food can be seen—and nothing remains overlooked or forgotten.

FREEDOM HINGE

Engineered specifically for the Freedom® Collection, all units feature a heavy-duty hinge that can open to 115°, allowing full-height, integrated doors and Truly Flush Mounted™ installation without sacrificing accessibility.

PERFECT INSTALLATION

Our unique door panel design allows for perfect adjustability. Every door panel can be adjusted horizontally, vertically, forward and backward to ensure an ultra-flush installation.

PRE-ASSEMBLED CONVENIENCE

Pre-assembled bottom freezers are ready to install and are equipped with flat stainless steel panels and either Professional or Masterpiece® handles. With a removable stainless steel frame, these units offer a perfect built-in fit in a 24 or 25-inch deep cabinet.

DEDICATED EVAPORATOR & COMPRESSOR SYSTEMS

Each Fresh Food and Freezer column has its own evaporator and compressor to eliminate odor transfer and keep food fresher, longer, with better humidity and air flow.

BUILD YOUR CUSTOM COLUMN

Our award winning Freedom® Collection offers customized columns in three simple steps.

- First, choose your unit: Fresh Food, Freezer, Bottom-Freezer or Wine Preservation Column.
- Second, choose your panel: flush—for a fully integrated look, or chiseled—to match the rest of your Thermador family of appliances. Or opt for a custom panel for seamless integration with the rest of your cabinetry.
- Third, choose your handle: Professional, Masterpiece® or custom handles.





FREEDOM[®] COLLECTION FRESH FOOD COLUMN



TEMPERATURE-CONTROLLED DRAWERS

FlexTemp[®] drawers ensure the perfect storage and preservation of meats, fish and produce with dedicated convertible temperature settings.

FULL-EXTENSION DRAWERS

Full-extension drawers offer convenient access. Drawers can even be opened with a 90° door opening, accommodating many kitchen designs. Drawer rails are designed to glide perfectly even when fully loaded.

DOOR STORAGE

Maximize shelf space with large door bins, multiple configuration options, and gallon door storage. Innovative “cool door” design allows air to circulate behind door bins, keeping them as cool as interior shelving.



FREEDOM[®] COLLECTION FREEZER COLUMN



ULTRA CAPACITY DIAMOND ICE DRAWER

Full width ice drawer with flexible ice bin allows you the option to place the bin on the left or right hand side of the drawer. Entertaining? Simply remove the ice bin and use the entire drawer for your Diamond ice—stores up to 10 pounds.

HIDDEN ICE MAKER

Hidden compartment houses the ice maker in an inconspicuous design.

FULL-EXTENSION DRAWERS AND OVERSIZED FREEZER BASKETS

Full-extension drawers offer convenient access. Drawers can even be opened with a 90° door opening, accommodating many kitchen designs. Drawer rails are designed to glide perfectly even when fully loaded.

STAINLESS STEEL EXTERIOR ICE & WATER DISPENSER

An industry first: our freezer units offer a fully stainless steel exterior ice and water dispenser, integrating perfectly with the Thermador[®] stainless steel door panels, as well as all other Thermador stainless steel products.





FREEDOM[®] COLLECTION BOTTOM FREEZER

DUAL EVAPORATOR AND DUAL COMPRESSOR SYSTEMS

Each cooling compartment—refrigerator and freezer—has its own evaporator and compressor to eliminate odor transfer and keep food fresher, longer, with better humidity and air flow.

DOOR STORAGE

Maximize shelf space in bottom freezers with large door bins, multiple configuration options, and gallon door storage.

FULL-EXTENSION DRAWERS AND FREEZER BASKETS

Full-extension drawers offer convenient access and can even operate with a 90° door opening. Drawer rails are designed to glide perfectly even when fully loaded.

DELI DRAWER

Complement market-fresh meats, fish and dairy products with a perfectly chilled full-extension deli drawer.



FREEDOM® COLLECTION WINE PRESERVATION

WINE PRESERVATION COLUMNS

Our Freedom® Wine Preservation Collection redefines the home wine cellar. Perfect for storing bottles in various sizes, serving at a dinner party or aging the choicest bottles to perfection, this appliance is the wine connoisseur's newest best friend. It is also a deliciously stylish way to display food when entertaining.

DUAL INDEPENDENT TEMPERATURE AND HUMIDITY CONTROL

Store any wine collection at the perfect temperature and humidity. Our electronic control board allows you to adjust each zone independently—and keeps wines perfectly preserved.

FULL-EXTENSION EXOTIC WOOD RACKS

Completely redesigned wine storage features thoughtful rack spacing and flexible storage options. Luxurious, full-extension exotic wood racks enhance the experience of pulling out your favorite vintage.

5-BOTTLE PRESENTER

Inside the appliance an added aluminum 5-bottle presenter ensures the best bottles are center stage. Remove it to double as a handy bar or tabletop presentation option.



T24IR800SP

24-INCH FLUSH CUSTOM FRESH FOOD COLUMN

FREEDOM® COLLECTION, PANEL-READY



FEATURES & BENEFITS

- Freedom® Hinge enables true flush design
- Full-height door—true cabinet integration without exposed venting grille
- Brightspace interior design with All-LED sidewall and theater lighting
- FLEXTEMP® drawer providing the ultimate in preservation
- Accepts custom or stainless steel panels

TEMPERATURE RANGES

Refrigerator	35°F (2°C) to 46°F (8°C)
Temperature Controlled Drawer	Fish 32°F (0°C) Meat 35°F (1.5°C) Produce 37°F (3°C)
Deli Drawer	Just above 32°F (0°C)
SuperCool	35.5°F (2°C) for approximately 9 hours
Energy Saving (Economy) Mode	45°F (7°C)

See page 365 for accessories.

GENERAL PROPERTIES

Panel Ready	Yes
Reversible Door Swing	Yes
Carbon Air Filter	Yes
Lighting	All-LED Sidewall and Theater Lighting
Full Width Shelves	4
Adjustable Shelves	3
Shelf Material	Glass w/Metal Trim
Full Extension Drawers at 90° Door Opening Angle	Yes
Temperature Controlled Drawer	Yes
Humidity Control Drawer	Yes
Door Bins	4
Gallon Door Bins	Yes
Door Open Alarm	Yes
Special Modes	Sabbath, Economy, Vacation

CAPACITY

Total Unit Gross Capacity (cu. ft.) - AHAM	13.2 cu. ft.
Refrigerator Gross Capacity (cu. ft.)	13.2 cu. ft.

PERFORMANCE

Dedicated Evaporator & Compressor System	Yes
Freeflow® Cold Air System	Yes
SuperCool	Yes

TECHNICAL DETAILS

Watts (W)	180 W
Current (A)	15 A
Volts (V)	120 V
Frequency (Hz)	60 Hz
Power Cord Length (in.)	78 3/4"
Plug Type	120V 3-Wire

DIMENSIONS & WEIGHT

Appliance Dimensions (H x W x D) (in.)	84" x 23 3/4" x 24"
Required Cutout Size (H x W x D) (in.)	84" x 24" x 24 3/4"
Net Weight (lbs)	309 lbs

EFFICIENCY

ENERGY STAR® Qualified	Yes
Annual Energy Consumption	283 kWh

WARRANTY

Limited, Entire Appliance, Parts and Labor on Any Part of the Refrigerator that Fails Because of a Manufacturing Defect	2 Year
Limited Warranty for Sealed Refrigeration System*; Parts and Labor	3rd to 6th Year
Limited Warranty for Sealed Refrigeration System*; Parts Only	7th to 12th Year

* Sealed refrigeration system includes compressor, evaporator, condenser, dryer / strainer and connection tubing

T30IR800SP

30-INCH FLUSH CUSTOM FRESH FOOD COLUMN

FREEDOM® COLLECTION, PANEL-READY



FEATURES & BENEFITS

- Freedom® Hinge enables true flush design
- Full-height door—true cabinet integration without exposed venting grille
- Brightspace interior design with All-LED sidewall and theater lighting
- FLEXTMP® drawer providing the ultimate in preservation
- Accepts custom or stainless steel panels

TEMPERATURE RANGES

Refrigerator	35°F (2°C) to 46°F (8°C)
Temperature Controlled Drawer	Fish 32°F (0°C) Meat 35°F (1.5°C) Produce 37°F (3°C)
Deli Drawer	Just above 32°F (0°C)
SuperCool	35.5°F (2°C) for approximately 9 hours
Energy Saving (Economy) Mode	45°F (7°C)

See page 365 for accessories.

GENERAL PROPERTIES

Panel Ready	Yes
Reversible Door Swing	Yes
Carbon Air Filter	Yes
Lighting	All-LED Sidewall and Theater Lighting
Full Width Shelves	4
Adjustable Shelves	3
Shelf Material	Glass w/Metal Trim
Full Extension Drawers at 90° Door Opening Angle	Yes
Temperature Controlled Drawer	Yes
Humidity Control Drawer	Yes
Door Bins	4
Gallon Door Bins	Yes
Door Open Alarm	Yes
Special Modes	Sabbath, Economy, Vacation

CAPACITY

Total Unit Gross Capacity (cu. ft.) - AHAM	17.2 cu. ft.
Refrigerator Gross Capacity (cu. ft.)	17.2 cu. ft.

PERFORMANCE

Dedicated Evaporator & Compressor System	Yes
Freeflow® Cold Air System	Yes
SuperCool	Yes

TECHNICAL DETAILS

Watts (W)	180 W
Current (A)	15 A
Volts (V)	120 V
Frequency (Hz)	60 Hz
Power Cord Length (in.)	78 3/4"
Plug Type	120V 3-Wire

DIMENSIONS & WEIGHT

Appliance Dimensions (H x W x D) (in.)	84" x 29 3/4" x 24"
Required Cutout Size (H x W x D) (in.)	84" x 30" x 24 3/4"
Net Weight (lbs)	332 lbs

EFFICIENCY

ENERGY STAR® Qualified	Yes
Annual Energy Consumption	310 kWh

WARRANTY

Limited, Entire Appliance, Parts and Labor on Any Part of the Refrigerator that Fails Because of a Manufacturing Defect	2 Year
Limited Warranty for Sealed Refrigeration System*; Parts and Labor	3rd to 6th Year
Limited Warranty for Sealed Refrigeration System*; Parts Only	7th to 12th Year

* Sealed refrigeration system includes compressor, evaporator, condenser, dryer / strainer and connection tubing

T18ID800RP

18-INCH FLUSH FREEZER COLUMN WITH EXTERNAL ICE & WATER DISPENSER



FREEDOM® COLLECTION, PANEL-READY, RIGHT-HAND DOOR SWING



Also Available:
T18ID800LP - Left-Hand Door Swing

FEATURES & BENEFITS

- Freedom® Hinge enables true flush design
- All-stainless steel exterior dispenser
- Full-height door-true cabinet integration without exposed venting grille
- All-LED sidewall and theater lighting
- Brightspace interior design

TEMPERATURE RANGES

Freezer	-9°F (-23°C) to 7°F (-14°C)
SuperFreeze®	-9°F (-23°C) for approximately 52 hours
Energy Saving (Economy) Mode	3°F (-16°C)

See page 365 for accessories.

GENERAL PROPERTIES

Panel Ready	Yes
Reversible Door Swing	No
Lighting	All-LED Sidewall and Theater Lighting
Full Width Shelves	2
Adjustable Shelves	2
Shelf Material	Metal
Full Extension Drawers at 90° Door Opening Angle	Yes
Door Bins	2
LED-Illuminated Dispenser	Yes
Oversized Dispenser Opening	Yes
Chilled Water, Crushed And Cubed Ice	Yes
Rapid Water Replenishment System	Yes
Ice Maker with Freeflow® Ice System	Yes
Door Open Alarm	Yes
Special Modes	Sabbath, Economy, Vacation

CAPACITY

Total Unit Gross Capacity (cu. ft.) - AHAM	8.4 cu. ft.
Freezer Gross Capacity (cu. ft.)	8.4 cu. ft.

PERFORMANCE

Dedicated Evaporator & Compressor System	Yes
SuperFreeze®	Yes
Defrost Process	Frost-Free

TECHNICAL DETAILS

Watts (W)	506 W
Current (A)	15 A
Volts (V), Frequency (Hz)	120 V, 60 Hz
Power Cord Length (in.)	78 3/4"
Plug Type	120V-3 Prong

DIMENSIONS & WEIGHT

Appliance Dimensions (H x W x D) (in.)	84" x 17 3/4" x 24"
Required Cutout Size (H x W x D) (in.)	84" x 18" x 24 3/4"
Net Weight (lbs)	278 lbs

EFFICIENCY

ENERGY STAR® Qualified	Yes
Annual Energy Consumption	440 kWh

WARRANTY

Limited, Entire Appliance, Parts and Labor on Any Part of the Refrigerator that Fails Because of a Manufacturing Defect	2 Year
Limited Warranty for Sealed Refrigeration System*; Parts And Labor	3rd to 6th Year
Limited Warranty for Sealed Refrigeration System*; Parts Only	7th to 12th Year

* Sealed refrigeration system includes compressor, evaporator, condenser, dryer / strainer and connection tubing

T18ID800LP

18-INCH FLUSH FREEZER COLUMN WITH EXTERNAL ICE & WATER DISPENSER



FREEDOM® COLLECTION, PANEL-READY, LEFT-HAND DOOR SWING



Also Available:
T18ID800RP - Right-Hand Door Swing

FEATURES & BENEFITS

- Freedom® Hinge enables true flush design
- All-stainless steel exterior dispenser
- Full-height door—true cabinet integration without exposed venting grille
- All-LED sidewall and theater lighting
- Brightspace interior design

TEMPERATURE RANGES

Freezer	-9°F (-23°C) to 7°F (-14°C)
SuperFreeze®	-9°F (-23°C) for approximately 52 hours
Energy Saving (Economy) Mode	3°F (-16°C)

See page 365 for accessories.

GENERAL PROPERTIES

Panel Ready	Yes
Reversible Door Swing	No
Lighting	All-LED Sidewall and Theater Lighting
Full Width Shelves	2
Adjustable Shelves	2
Shelf Material	Metal
Full Extension Drawers at 90° Door Opening Angle	Yes
Door Bins	2
LED-Illuminated Dispenser	Yes
Oversized Dispenser Opening	Yes
Chilled Water, Crushed And Cubed Ice	Yes
Rapid Water Replenishment System	Yes
Ice Maker with Freeflow® Ice System	Yes
Door Open Alarm	Yes
Special Modes	Sabbath, Economy, Vacation

CAPACITY

Total Unit Gross Capacity (cu. ft.) - AHAM	8.4 cu. ft.
Freezer Gross Capacity (cu. ft.)	8.4 cu. ft.

PERFORMANCE

Dedicated Evaporator & Compressor System	Yes
SuperFreeze®	Yes
Defrost Process	Frost-Free

TECHNICAL DETAILS

Watts (W)	506 W
Current (A)	15 A
Volts (V), Frequency (Hz)	120 V, 60 Hz
Power Cord Length (in.)	78 3/4"
Plug Type	120V-3 Prong

DIMENSIONS & WEIGHT

Appliance Dimensions (H x W x D) (in.)	84" x 17 3/4" x 24"
Required Cutout Size (H x W x D) (in.)	84" x 18" x 24 3/4"
Net Weight (lbs)	278 lbs

EFFICIENCY

ENERGY STAR® Qualified	Yes
Annual Energy Consumption	440 kWh

WARRANTY

Limited, Entire Appliance, Parts and Labor on Any Part of the Refrigerator that Fails Because of a Manufacturing Defect	2 Year
Limited Warranty for Sealed Refrigeration System*; Parts And Labor	3rd to 6th Year
Limited Warranty for Sealed Refrigeration System*; Parts Only	7th to 12th Year

* Sealed refrigeration system includes compressor, evaporator, condenser, dryer / strainer and connection tubing

T18IF800SP

18-INCH FLUSH FREEZER COLUMN WITH INTERNAL ICE MAKER



FREEDOM® COLLECTION, PANEL-READY, REVERSIBLE DOOR SWING



FEATURES & BENEFITS

- Freedom® Hinge enables true flush design
- Full-height door—true cabinet integration without exposed venting grille
- All-LED sidewall and theater lighting
- Brightspace interior design
- Accepts custom or stainless steel panels

TEMPERATURE RANGES

Freezer	-9°F (-23°C) to 7°F (-14°C)
SuperFreeze®	-9°F (-23°C) for approximately 52 hours
Energy Saving (Economy) Mode	3°F (-16°C)

See page 365 for accessories.

GENERAL PROPERTIES

Panel Ready	Yes
Reversible Door Swing	Yes
Lighting	All-LED Sidewall and Theater Lighting
Full Width Shelves	3
Adjustable Shelves	3
Shelf Material	Metal
Full Extension Drawers at 90° Door Opening Angle	Yes
Door Bins	5
Ice Maker	Yes
Door Open Alarm	Yes
Special Modes	Sabbath, Economy, Vacation

CAPACITY

Total Unit Gross Capacity (cu. ft.) - AHAM	8.6 cu. ft.
Freezer Gross Capacity (cu. ft.)	8.6 cu. ft.

PERFORMANCE

Dedicated Evaporator & Compressor System	Yes
SuperFreeze®	Yes
Defrost Process	Frost-Free

TECHNICAL DETAILS

Watts (W)	367 W
Current (A)	15 A
Volts (V), Frequency (Hz)	120 V, 60 Hz
Power Cord Length (in.)	78 3/4"
Plug Type	120V-3 Prong

DIMENSIONS & WEIGHT

Appliance Dimensions (H x W x D) (in.)	84" x 17 3/4" x 24"
Required Cutout Size (H x W x D) (in.)	84" x 18" x 24 3/4"
Net Weight (lbs)	261 lbs

EFFICIENCY

ENERGY STAR® Qualified	Yes
Annual Energy Consumption	443 kWh

WARRANTY

Limited, Entire Appliance, Parts and Labor on Any Part of the Refrigerator that Fails Because of a Manufacturing Defect	2 Year
Limited Warranty for Sealed Refrigeration System*; Parts And Labor	3rd to 6th Year
Limited Warranty for Sealed Refrigeration System*; Parts Only	7th to 12th Year

* Sealed refrigeration system includes compressor, evaporator, condenser, dryer / strainer and connection tubing

T24ID800RP

24-INCH FLUSH FREEZER COLUMN WITH EXTERNAL ICE & WATER DISPENSER



FREEDOM® COLLECTION, PANEL-READY, RIGHT-HAND DOOR SWING



Also Available:
T24ID800LP - Left-Hand Door Swing

FEATURES & BENEFITS

- Freedom® Hinge enables true flush design
- All-stainless steel exterior dispenser
- Full-height door—true cabinet integration without exposed venting grille
- All-LED sidewall and theater lighting
- Brightspace interior design

TEMPERATURE RANGES

Freezer	-9°F (-23°C) to 7°F (-14°C)
SuperFreeze®	-9°F (-23°C) for approximately 52 hours
Energy Saving (Economy) Mode	3°F (-16°C)

See page 365 for accessories.

GENERAL PROPERTIES

Panel Ready	Yes
Reversible Door Swing	No
Lighting	All-LED Sidewall and Theater Lighting
Full Width Shelves	2
Adjustable Shelves	2
Shelf Material	Metal
Full Extension Drawers at 90° Door Opening Angle	Yes
Door Bins	2
LED-Illuminated Dispenser	Yes
Oversized Dispenser Opening	Yes
Chilled Water, Crushed And Cubed Ice	Yes
Rapid Water Replenishment System	Yes
Ice Maker with Freeflow® Ice System	Yes
Door Open Alarm	Yes
Special Modes	Sabbath, Economy, Vacation

CAPACITY

Total Unit Gross Capacity (cu. ft.) - AHAM	11.3 cu. ft.
Freezer Gross Capacity (cu. ft.)	11.3 cu. ft.

PERFORMANCE

Dedicated Evaporator & Compressor System	Yes
SuperFreeze®	Yes
Defrost Process	Frost-Free

TECHNICAL DETAILS

Watts (W)	565 W
Current (A)	15 A
Volts (V), Frequency (Hz)	120 V, 60 Hz
Power Cord Length (in.)	78 3/4"
Plug Type	120V-3 Prong

DIMENSIONS & WEIGHT

Appliance Dimensions (H x W x D) (in.)	84" x 23 3/4" x 24"
Required Cutout Size (H x W x D) (in.)	84" x 24" x 24 3/4"
Net Weight (lbs)	323 lbs

EFFICIENCY

ENERGY STAR® Qualified	Yes
Annual Energy Consumption	494 kWh

WARRANTY

Limited, Entire Appliance, Parts and Labor on Any Part of the Refrigerator that Fails Because of a Manufacturing Defect	2 Year
Limited Warranty for Sealed Refrigeration System*; Parts And Labor	3rd to 6th Year
Limited Warranty for Sealed Refrigeration System*; Parts Only	7th to 12th Year

* Sealed refrigeration system includes compressor, evaporator, condenser, dryer / strainer and connection tubing

T24ID800LP

24-INCH FLUSH FREEZER COLUMN WITH EXTERNAL ICE & WATER DISPENSER



FREEDOM® COLLECTION, PANEL-READY, LEFT-HAND DOOR SWING



Also Available:
T24ID800RP - Right-Hand Door Swing

FEATURES & BENEFITS

- Freedom® Hinge enables true flush design
- All-stainless steel exterior dispenser
- Full-height door-true cabinet integration without exposed venting grille
- All-LED sidewall and theater lighting
- Brightspace interior design

TEMPERATURE RANGES

Freezer	-9°F (-23°C) to 7°F (-14°C)
SuperFreeze®	-9°F (-23°C) for approximately 52 hours
Energy Saving (Economy) Mode	3°F (-16°C)

See page 365 for accessories.

GENERAL PROPERTIES

Panel Ready	Yes
Reversible Door Swing	No
Lighting	All-LED Sidewall and Theater Lighting
Full Width Shelves	2
Adjustable Shelves	2
Shelf Material	Metal
Full Extension Drawers at 90° Door Opening Angle	Yes
Door Bins	2
LED-Illuminated Dispenser	Yes
Oversized Dispenser Opening	Yes
Chilled Water, Crushed And Cubed Ice	Yes
Rapid Water Replenishment System	Yes
Ice Maker with Freeflow® Ice System	Yes
Door Open Alarm	Yes
Special Modes	Sabbath, Economy, Vacation

CAPACITY

Total Unit Gross Capacity (cu. ft.) - AHAM	11.3 cu. ft.
Freezer Gross Capacity (cu. ft.)	11.3 cu. ft.

PERFORMANCE

Dedicated Evaporator & Compressor System	Yes
SuperFreeze®	Yes
Defrost Process	Frost-Free

TECHNICAL DETAILS

Watts (W)	565 W
Current (A)	15 A
Volts (V), Frequency (Hz)	120 V, 60 Hz
Power Cord Length (in.)	78 3/4"
Plug Type	120V-3 Prong

DIMENSIONS & WEIGHT

Appliance Dimensions (H x W x D) (in.)	84" x 23 3/4" x 24"
Required Cutout Size (H x W x D) (in.)	84" x 24" x 24 3/4"
Net Weight (lbs)	325 lbs

EFFICIENCY

ENERGY STAR® Qualified	Yes
Annual Energy Consumption	494 kWh

WARRANTY

Limited, Entire Appliance, Parts and Labor on Any Part of the Refrigerator that Fails Because of a Manufacturing Defect	2 Year
Limited Warranty for Sealed Refrigeration System*; Parts And Labor	3rd to 6th Year
Limited Warranty for Sealed Refrigeration System*; Parts Only	7th to 12th Year

* Sealed refrigeration system includes compressor, evaporator, condenser, dryer / strainer and connection tubing

T24IF800SP

24-INCH FLUSH FREEZER COLUMN WITH INTERNAL ICE MAKER



FREEDOM® COLLECTION, PANEL-READY, REVERSIBLE DOOR SWING



FEATURES & BENEFITS

- Freedom® Hinge enables true flush design
- Full-height door—true cabinet integration without exposed venting grille
- All-LED sidewall and theater lighting
- Brightspace interior design
- Accepts custom or stainless steel panels

TEMPERATURE RANGES

Freezer	-9°F (-23°C) to 7°F (-14°C)
SuperFreeze®	-9°F (-23°C) for approximately 52 hours
Energy Saving (Economy) Mode	3°F (-16°C)

See page 365 for accessories.

GENERAL PROPERTIES

Panel Ready	Yes
Reversible Door Swing	Yes
Lighting	All-LED Sidewall and Theater Lighting
Full Width Shelves	3
Adjustable Shelves	3
Shelf Material	Metal
Full Extension Drawers at 90° Door Opening Angle	Yes
Door Bins	5
Ice Maker	Yes
Door Open Alarm	Yes
Special Modes	Sabbath, Economy, Vacation

CAPACITY

Total Unit Gross Capacity (cu. ft.) - AHAM	12.2 cu. ft.
Freezer Gross Capacity (cu. ft.)	12.2 cu. ft.

PERFORMANCE

Dedicated Evaporator & Compressor System	Yes
SuperFreeze®	Yes
Defrost Process	Frost-Free

TECHNICAL DETAILS

Watts (W)	444 W
Current (A)	15 A
Volts (V), Frequency (Hz)	120 V, 60 Hz
Power Cord Length (in.)	78 3/4"
Plug Type	120V-3 Prong

DIMENSIONS & WEIGHT

Appliance Dimensions (H x W x D) (in.)	84" x 23 3/4" x 24"
Required Cutout Size (H x W x D) (in.)	84" x 24" x 24 3/4"
Net Weight (lbs)	309 lbs

EFFICIENCY

ENERGY STAR® Qualified	Yes
Annual Energy Consumption	472 kWh

WARRANTY

Limited, Entire Appliance, Parts and Labor on Any Part of the Refrigerator that Fails Because of a Manufacturing Defect	2 Year
Limited Warranty for Sealed Refrigeration System*; Parts And Labor	3rd to 6th Year
Limited Warranty for Sealed Refrigeration System*; Parts Only	7th to 12th Year

* Sealed refrigeration system includes compressor, evaporator, condenser, dryer / strainer and connection tubing

T30IF800SP

30-INCH FLUSH FREEZER COLUMN WITH INTERNAL ICE MAKER



FREEDOM® COLLECTION, PANEL-READY, REVERSIBLE DOOR SWING



FEATURES & BENEFITS

- Freedom® Hinge enables true flush design
- Full-height door—true cabinet integration without exposed venting grille
- All-LED sidewall and theater lighting
- Brightspace interior design
- Accepts custom or stainless steel panels

TEMPERATURE RANGES

Freezer	-9°F (-23°C) to 7°F (-14°C)
SuperFreeze®	-9°F (-23°C) for approximately 52 hours
Energy Saving (Economy) Mode	3°F (-16°C)

See page 365 for accessories.

GENERAL PROPERTIES

Panel Ready	Yes
Reversible Door Swing	Yes
Lighting	All-LED Sidewall and Theater Lighting
Full Width Shelves	3
Adjustable Shelves	3
Shelf Material	Metal
Full Extension Drawers at 90° Door Opening Angle	Yes
Door Bins	5
Ice Maker	Yes
Door Open Alarm	Yes
Special Modes	Sabbath, Economy, Vacation

CAPACITY

Total Unit Gross Capacity (cu. ft.) - AHAM	15.8 cu. ft.
Freezer Gross Capacity (cu. ft.)	15.8 cu. ft.

PERFORMANCE

Dedicated Evaporator & Compressor System	Yes
SuperFreeze®	Yes
Defrost Process	Frost-Free

TECHNICAL DETAILS

Watts (W)	504 W
Current (A)	15 A
Volts (V), Frequency (Hz)	120 V, 60 Hz
Power Cord Length (in.)	78 3/4"
Plug Type	120V-3 Prong

DIMENSIONS & WEIGHT

Appliance Dimensions (H x W x D) (in.)	84" x 29 3/4" x 24"
Required Cutout Size (H x W x D) (in.)	84" x 30" x 24 3/4"
Net Weight (lbs)	350 lbs

EFFICIENCY

ENERGY STAR® Qualified	Yes
Annual Energy Consumption	564 kWh

WARRANTY

Limited, Entire Appliance, Parts and Labor on Any Part of the Refrigerator that Fails Because of a Manufacturing Defect	2 Year
Limited Warranty for Sealed Refrigeration System*; Parts And Labor	3rd to 6th Year
Limited Warranty for Sealed Refrigeration System*; Parts Only	7th to 12th Year

* Sealed refrigeration system includes compressor, evaporator, condenser, dryer / strainer and connection tubing

T30IB800SP

30-INCH FLUSH CUSTOM 2-DOOR BOTTOM FREEZER

FREEDOM® COLLECTION



FEATURES & BENEFITS

- Freedom® Hinge enables true flush design
- Full-height door—true cabinet integration without exposed venting grille
- All-LED sidewall and theater lighting
- Brightspace interior design
- Accepts custom or stainless steel panel kit panels

TEMPERATURE RANGES

Refrigeration	35°F (2°C) to 46°F (8°C)
Adjustable Temperature Drawer	32°F (0°C) to 37°F (3°C)
Deli Drawer	Just above 32°F (0°C)
SuperCool	35.5°F (2°C) for approximately 9 hours
Energy Saving (Economy) Mode	Refrigerator: 45°F (7°C) Freezer: 3°F (-16°C)
Freezer	-9°F (-23°C) to 7°F (-14°C)
SuperFreeze®	-9°F (-23°C) for approximately 52 hours

See page 365 for accessories.

GENERAL PROPERTIES

Panel Ready	Yes
Reversible Door Swing	Yes
Lighting	All-LED Sidewall and Theater Lighting
Full Width Shelves - Refrigerator	3
Adjustable Shelves - Refrigerator	2
Shelf Material - Refrigerator	Glass Shelves w/Metal Trim
Full Extension Drawers at 90° Door Opening Angle	Yes
Humidity Control Drawer	Yes
Door Bins - Refrigerator	3
Gallon Door Bins	1
Defrost Process - Freezer	Frost-Free
Freezer Drawers	1
Ice Maker	Yes
Door Open Alarm	Yes
SuperCool	Yes
SuperFreeze®	Yes
Special Modes	Sabbath, Economy, Vacation

CAPACITY

Total Unit Gross Capacity (cu. ft.) - AHAM	16 cu. ft.
Refrigerator Gross Capacity (cu. ft.)	11 cu. ft.
Freezer Gross Capacity (cu. ft.)	5 cu. ft.

TECHNICAL DETAILS

Watts (W)	588 W
Current (A)	15 A
Volts (V)	120 V
Frequency (Hz)	60 Hz
Power Cord Length (in.)	78 3/4"
Plug Type	120V 3-Wire

DIMENSIONS & WEIGHT

Appliance Dimensions (H x W x D) (in.)	84" x 29 3/4" x 24"
Required Cutout Size (H x W x D) (in.)	84" x 30" x 24 3/4"
Net / Gross Weight (lbs)	395 / 432 lbs

EFFICIENCY

ENERGY STAR® Qualified	Yes
Annual Energy Consumption	546 kWh

WARRANTY

Limited, Entire Appliance, Parts and Labor on Any Part of the Refrigerator that Fails Because of a Manufacturing Defect	2 Year
Limited Warranty for Sealed Refrigeration System*; Parts And Labor	3rd to 6th Year
Limited Warranty for Sealed Refrigeration System*; Parts Only	7th to 12th Year

* Sealed refrigeration system includes compressor, evaporator, condenser, dryer / strainer and connection tubing

T30BB810SS

30-INCH PRE-ASSEMBLED 2-DOOR BOTTOM FREEZER WITH MASTERPIECE® HANDLES

FREEDOM® COLLECTION



Also Available:
T30BB820SS with
Professional Handles

FEATURES & BENEFITS

- Freedom® Hinge enables true flush design
- Full-height door-true cabinet integration without exposed venting grille
- All-LED sidewall and theater lighting
- Brightspace interior design
- Flat stainless steel panel kit door panel kit, pre-assembled

TEMPERATURE RANGES

Refrigeration	35°F (2°C) to 46°F (8°C)
Adjustable Temperature Drawer	32°F (0°C) to 37°F (3°C)
Deli Drawer	Just above 32°F (0°C)
SuperCool	35.5°F (2°C) for approximately 9 hours
Energy Saving (Economy) Mode	Refrigerator: 45°F (7°C) Freezer: 3°F (-16°C)
Freezer	-9°F (-23°C) to 7°F (-14°C)
SuperFreeze®	-9°F (-23°C) for approximately 52 hours

See page 365 for accessories.

GENERAL PROPERTIES

Reversible Door Swing	Yes
Lighting	All-LED Sidewall and Theater Lighting
Full Width Shelves - Refrigerator	3
Adjustable Shelves - Refrigerator	2
Shelf Material - Refrigerator	Glass Shelves w/Metal Trim
Full Extension Drawers at 90° Door Opening Angle	Yes
Humidity Control Drawer	Yes
Door Bins - Refrigerator	3
Gallon Door Bins	1
Defrost Process - Freezer	Frost-Free
Freezer Drawers	1
Ice Maker	Yes
Door Open Alarm	Yes
SuperCool	Yes
SuperFreeze®	Yes
Special Modes	Sabbath, Economy, Vacation

CAPACITY

Total Unit Gross Capacity (cu. ft.) - AHAM	16 cu. ft.
Refrigerator Gross Capacity (cu. ft.)	11 cu. ft.
Freezer Gross Capacity (cu. ft.)	5 cu. ft.

TECHNICAL DETAILS

Watts (W)	588 W
Current (A)	15 A
Volts (V)	120 V
Frequency (Hz)	60 Hz
Power Cord Length (in.)	78 3/4"
Plug Type	120V 3-Wire

DIMENSIONS & WEIGHT

Appliance Dimensions (H x W x D) (in.)	84" x 29 3/4" x 24 3/4"
Required Cutout Size (H x W x D) (in.)	84" x 30" x 24" or 25"
Net / Gross Weight (lbs)	437 / 478 lbs

EFFICIENCY

ENERGY STAR® Qualified	Yes
Annual Energy Consumption	546 kWh

WARRANTY

Limited, Entire Appliance, Parts and Labor on Any Part of the Refrigerator that Fails Because of a Manufacturing Defect	2 Year
Limited Warranty for Sealed Refrigeration System*; Parts And Labor	3rd to 6th Year
Limited Warranty for Sealed Refrigeration System*; Parts Only	7th to 12th Year

* Sealed refrigeration system includes compressor, evaporator, condenser, dryer / strainer and connection tubing

T30BB820SS

30-INCH PRE-ASSEMBLED 2-DOOR BOTTOM FREEZER WITH PROFESSIONAL HANDLES

FREEDOM® COLLECTION



Also Available:
T30BB810SS with
Masterpiece® Handles

FEATURES & BENEFITS

- Freedom® Hinge enables true flush design
- Full-height door-true cabinet integration without exposed venting grille
- All-LED sidewall and theater lighting
- Brightspace interior design
- Flat stainless steel panel kit door panel kit, pre-assembled

TEMPERATURE RANGES

Refrigeration	35°F (2°C) to 46°F (8°C)
Adjustable Temperature Drawer	32°F (0°C) to 37°F (3°C)
Deli Drawer	Just above 32°F (0°C)
SuperCool	35.5°F (2°C) for approximately 9 hours
Energy Saving (Economy) Mode	Refrigerator: 45°F (7°C) Freezer: 3°F (-16°C)
Freezer	-9°F (-23°C) to 7°F (-14°C)
SuperFreeze®	-9°F (-23°C) for approximately 52 hours

See page 365 for accessories.

GENERAL PROPERTIES

Reversible Door Swing	Yes
Lighting	All-LED Sidewall and Theater Lighting
Full Width Shelves - Refrigerator	3
Adjustable Shelves - Refrigerator	2
Shelf Material - Refrigerator	Glass Shelves w/Metal Trim
Full Extension Drawers at 90° Door Opening Angle	Yes
Humidity Control Drawer	Yes
Door Bins - Refrigerator	3
Gallon Door Bins	1
Defrost Process - Freezer	Frost-Free
Freezer Drawers	1
Ice Maker	Yes
Door Open Alarm	Yes
SuperCool	Yes
SuperFreeze®	Yes
Special Modes	Sabbath, Economy, Vacation

CAPACITY

Total Unit Gross Capacity (cu. ft.) - AHAM	16 cu. ft.
Refrigerator Gross Capacity (cu. ft.)	11 cu. ft.
Freezer Gross Capacity (cu. ft.)	5 cu. ft.

TECHNICAL DETAILS

Watts (W)	588 W
Current (A)	15 A
Volts (V)	120 V
Frequency (Hz)	60 Hz
Power Cord Length (in.)	78 3/4"
Plug Type	120V 3-Wire

DIMENSIONS & WEIGHT

Appliance Dimensions (H x W x D) (in.)	84" x 29 3/4" x 24 3/4"
Required Cutout Size (H x W x D) (in.)	84" x 30" x 24" or 25"
Net / Gross Weight (lbs)	437 / 478 lbs

EFFICIENCY

ENERGY STAR® Qualified	Yes
Annual Energy Consumption	546 kWh

WARRANTY

Limited, Entire Appliance, Parts and Labor on Any Part of the Refrigerator that Fails Because of a Manufacturing Defect	2 Year
Limited Warranty for Sealed Refrigeration System*; Parts And Labor	3rd to 6th Year
Limited Warranty for Sealed Refrigeration System*; Parts Only	7th to 12th Year

* Sealed refrigeration system includes compressor, evaporator, condenser, dryer / strainer and connection tubing

T36IB800SP

36-INCH FLUSH CUSTOM 2-DOOR BOTTOM FREEZER

FREEDOM® COLLECTION



FEATURES & BENEFITS

- Freedom® Hinge enables true flush design
- Full-height door-true cabinet integration without exposed venting grille
- All-LED sidewall and theater lighting
- Brightspace interior design
- Accepts custom or stainless steel panel kit panels

TEMPERATURE RANGES

Refrigeration	35°F (2°C) to 46°F (8°C)
Adjustable Temperature Drawer	32°F (0°C) to 37°F (3°C)
Deli Drawer	Just above 32°F (0°C)
SuperCool	35.5°F (2°C) for approximately 9 hours
Energy Saving (Economy) Mode	Refrigerator: 45°F (7°C) Freezer: 3°F (-16°C)
Freezer	-9°F (-23°C) to 7°F (-14°C)
SuperFreeze®	-9°F (-23°C) for approximately 52 hours

See page 365 for accessories.

GENERAL PROPERTIES

Panel Ready	Yes
Reversible Door Swing	Yes
Lighting	All-LED Sidewall and Theater Lighting
Full Width Shelves - Refrigerator	3
Adjustable Shelves - Refrigerator	2
Shelf Material - Refrigerator	Glass Shelves w/Metal Trim
Full Extension Drawers at 90° Door Opening Angle	Yes
Humidity Control Drawer	Yes
Door Bins - Refrigerator	3
Gallon Door Bins	1
Defrost Process - Freezer	Frost-Free
Freezer Drawers	1
Ice Maker	Yes
Door Open Alarm	Yes
SuperCool	Yes
SuperFreeze®	Yes
Special Modes	Sabbath, Economy, Vacation

CAPACITY

Total Unit Gross Capacity (cu. ft.) - AHAM	20 cu. ft.
Refrigerator Gross Capacity (cu. ft.)	14 cu. ft.
Freezer Gross Capacity (cu. ft.)	6 cu. ft.

TECHNICAL DETAILS

Watts (W)	588 W
Current (A)	15 A
Volts (V)	120 V
Frequency (Hz)	60 Hz
Power Cord Length (in.)	78 3/4"
Plug Type	120V 3-Wire

DIMENSIONS & WEIGHT

Appliance Dimensions (H x W x D) (in.)	84" x 35 3/4" x 24"
Required Cutout Size (H x W x D) (in.)	84" x 36" x 24 3/4"
Net / Gross Weight (lbs)	427 / 470 lbs

EFFICIENCY

ENERGY STAR® Qualified	Yes
Annual Energy Consumption	591 kWh

WARRANTY

Limited, Entire Appliance, Parts and Labor on Any Part of the Refrigerator that Fails Because of a Manufacturing Defect	2 Year
Limited Warranty for Sealed Refrigeration System*; Parts And Labor	3rd to 6th Year
Limited Warranty for Sealed Refrigeration System*; Parts Only	7th to 12th Year

* Sealed refrigeration system includes compressor, evaporator, condenser, dryer / strainer and connection tubing

T36BB810SS

36-INCH PRE-ASSEMBLED 2-DOOR BOTTOM FREEZER WITH MASTERPIECE® HANDLES

FREEDOM® COLLECTION



Also Available:
T36BB820SS with
Professional Handles

FEATURES & BENEFITS

- Freedom® Hinge enables true flush design
- Full-height door-true cabinet integration without exposed venting grille
- All-LED sidewall and theater lighting
- Brightspace interior design
- Flat stainless steel panel kit door panel kit, pre-assembled

TEMPERATURE RANGES

Refrigeration	35°F (2°C) to 46°F (8°C)
Adjustable Temperature Drawer	32°F (0°C) to 37°F (3°C)
Deli Drawer	Just above 32°F (0°C)
SuperCool	35.5°F (2°C) for approximately 9 hours
Energy Saving (Economy) Mode	Refrigerator: 45°F (7°C) Freezer: 3°F (-16°C)
Freezer	-9°F (-23°C) to 7°F (-14°C)
SuperFreeze®	-9°F (-23°C) for approximately 52 hours

See page 365 for accessories.

GENERAL PROPERTIES

Reversible Door Swing	Yes
Lighting	All-LED Sidewall and Theater Lighting
Full Width Shelves - Refrigerator	3
Adjustable Shelves - Refrigerator	2
Shelf Material - Refrigerator	Glass Shelves w/Metal Trim
Full Extension Drawers at 90° Door Opening Angle	Yes
Humidity Control Drawer	Yes
Door Bins - Refrigerator	3
Gallon Door Bins	2
Defrost Process - Freezer	Frost-Free
Freezer Drawers	1
Ice Maker	Yes
Door Open Alarm	Yes
SuperCool	Yes
SuperFreeze®	Yes
Special Modes	Sabbath, Economy, Vacation

CAPACITY

Total Unit Gross Capacity (cu. ft.) - AHAM	20 cu. ft.
Refrigerator Gross Capacity (cu. ft.)	14 cu. ft.
Freezer Gross Capacity (cu. ft.)	6 cu. ft.

TECHNICAL DETAILS

Watts (W)	588 W
Current (A)	15 A
Volts (V)	120 V
Frequency (Hz)	60 Hz
Power Cord Length (in.)	78 3/4"
Plug Type	120V 3-Wire

DIMENSIONS & WEIGHT

Appliance Dimensions (H x W x D) (in.)	84" x 35 3/4" x 24 3/4"
Required Cutout Size (H x W x D) (in.)	84" x 36" x 24" or 25"
Net / Gross Weight (lbs)	526 / 573 lbs

EFFICIENCY

ENERGY STAR® Qualified	Yes
Annual Energy Consumption	591 kWh

WARRANTY

Limited, Entire Appliance, Parts and Labor on Any Part of the Refrigerator that Fails Because of a Manufacturing Defect	2 Year
Limited Warranty for Sealed Refrigeration System*; Parts And Labor	3rd to 6th Year
Limited Warranty for Sealed Refrigeration System*; Parts Only	7th to 12th Year

* Sealed refrigeration system includes compressor, evaporator, condenser, dryer / strainer and connection tubing

T36BB820SS

36-INCH PRE-ASSEMBLED 2-DOOR BOTTOM FREEZER WITH PROFESSIONAL HANDLES

FREEDOM® COLLECTION

Thermador 
REAL INNOVATIONS FOR REAL COOKS®



Also Available:
T36BB810SS with
Masterpiece® Handles

FEATURES & BENEFITS

- Freedom® Hinge enables true flush design
- Full-height door-true cabinet integration without exposed venting grille
- All-LED sidewall and theater lighting
- Brightspace interior design
- Flat stainless steel panel kit door panel kit, pre-assembled

TEMPERATURE RANGES

Refrigeration	35°F (2°C) to 46°F (8°C)
Adjustable Temperature Drawer	32°F (0°C) to 37°F (3°C)
Deli Drawer	Just above 32°F (0°C)
SuperCool	35.5°F (2°C) for approximately 9 hours
Energy Saving (Economy) Mode	Refrigerator: 45°F (7°C) Freezer: 3°F (-16°C)
Freezer	-9°F (-23°C) to 7°F (-14°C)
SuperFreeze®	-9°F (-23°C) for approximately 52 hours

See page 365 for accessories.

GENERAL PROPERTIES

Reversible Door Swing	Yes
Lighting	All-LED Sidewall and Theater Lighting
Full Width Shelves - Refrigerator	3
Adjustable Shelves - Refrigerator	2
Shelf Material - Refrigerator	Glass Shelves w/Metal Trim
Full Extension Drawers at 90° Door Opening Angle	Yes
Humidity Control Drawer	Yes
Door Bins - Refrigerator	3
Gallon Door Bins	2
Defrost Process - Freezer	Frost-Free
Freezer Drawers	1
Ice Maker	Yes
Door Open Alarm	Yes
SuperCool	Yes
SuperFreeze®	Yes
Special Modes	Sabbath, Economy, Vacation

CAPACITY

Total Unit Gross Capacity (cu. ft.) - AHAM	20 cu. ft.
Refrigerator Gross Capacity (cu. ft.)	14 cu. ft.
Freezer Gross Capacity (cu. ft.)	6 cu. ft.

TECHNICAL DETAILS

Watts (W)	588 W
Current (A)	15 A
Volts (V)	120 V
Frequency (Hz)	60 Hz
Power Cord Length (in.)	78 3/4"
Plug Type	120V 3-Wire

DIMENSIONS & WEIGHT

Appliance Dimensions (H x W x D) (in.)	84" x 35 3/4" x 24 3/4"
Required Cutout Size (H x W x D) (in.)	84" x 36" x 24" or 25"
Net / Gross Weight (lbs)	526 / 573 lbs

EFFICIENCY

ENERGY STAR® Qualified	Yes
Annual Energy Consumption	591 kWh

WARRANTY

Limited, Entire Appliance, Parts and Labor on Any Part of the Refrigerator that Fails Because of a Manufacturing Defect	2 Year
Limited Warranty for Sealed Refrigeration System*; Parts And Labor	3rd to 6th Year
Limited Warranty for Sealed Refrigeration System*; Parts Only	7th to 12th Year

* Sealed refrigeration system includes compressor, evaporator, condenser, dryer / strainer and connection tubing

T36IT800NP

36-INCH FLUSH CUSTOM FRENCH DOOR BOTTOM FREEZER

FREEDOM® COLLECTION



FEATURES & BENEFITS

- Freedom® Hinge enables true flush design
- Full-height door-true cabinet integration without exposed venting grille
- All-LED sidewall and theater lighting
- Brightspace interior design
- Accepts custom or stainless steel panel kit panels

TEMPERATURE RANGES

Refrigeration	35°F (2°C) to 46°F (8°C)
Adjustable Temperature Drawer	32°F (0°C) to 37°F (3°C)
Deli Drawer	Just above 32°F (0°C)
SuperCool	35.5°F (2°C) for approximately 9 hours
Energy Saving (Economy) Mode	Refrigerator: 45°F (7°C) Freezer: 3°F (-16°C)
Freezer	-9°F (-23°C) to 7°F (-14°C)
SuperFreeze®	-9°F (-23°C) for approximately 52 hours

See page 365 for accessories.

GENERAL PROPERTIES

Panel Ready	Yes
Lighting	All-LED Sidewall and Theater Lighting
Full Width Shelves - Refrigerator	3
Adjustable Shelves - Refrigerator	2
Shelf Material - Refrigerator	Glass Shelves w/Metal Trim
Full Extension Drawers at 90° Door Opening Angle	Yes
Humidity Control Drawer	Yes
Door Bins - Refrigerator	6
Gallon Door Bins	2
Defrost Process - Freezer	Frost-Free
Freezer Drawers	1
Ice Maker	Yes
Door Open Alarm	Yes
SuperCool	Yes
SuperFreeze®	Yes
Special Modes	Sabbath, Economy, Vacation

CAPACITY

Total Unit Gross Capacity (cu. ft.) - AHAM	20 cu. ft.
Refrigerator Gross Capacity (cu. ft.)	14 cu. ft.
Freezer Gross Capacity (cu. ft.)	6 cu. ft.

TECHNICAL DETAILS

Watts (W)	588 W
Current (A)	15 A
Volts (V)	120 V
Frequency (Hz)	60 Hz
Power Cord Length (in.)	78 3/4"
Plug Type	120V 3-Wire

DIMENSIONS & WEIGHT

Appliance Dimensions (H x W x D) (in.)	84" x 35 3/4" x 24"
Required Cutout Size (H x W x D) (in.)	84" x 36" x 24 3/4"
Net / Gross Weight (lbs)	454 / 496 lbs

EFFICIENCY

ENERGY STAR® Qualified	Yes
Annual Energy Consumption	590 kWh

WARRANTY

Limited, Entire Appliance, Parts and Labor on Any Part of the Refrigerator that Fails Because of a Manufacturing Defect	2 Year
Limited Warranty for Sealed Refrigeration System*; Parts And Labor	3rd to 6th Year
Limited Warranty for Sealed Refrigeration System*; Parts Only	7th to 12th Year

* Sealed refrigeration system includes compressor, evaporator, condenser, dryer / strainer and connection tubing

T36BT810NS

36-INCH PRE-ASSEMBLED FRENCH DOOR BOTTOM FREEZER WITH MASTERPIECE® HANDLES

FREEDOM® COLLECTION



Also Available:
T36BT820NS with
Professional Handles

FEATURES & BENEFITS

- Freedom® Hinge enables true flush design
- Full-height door-true cabinet integration without exposed venting grille
- All-LED sidewall and theater lighting
- Brightspace interior design
- Flat stainless steel panel kit door panel kit, pre-assembled

TEMPERATURE RANGES

Refrigeration	35°F (2°C) to 46°F (8°C)
Adjustable Temperature Drawer	32°F (0°C) to 37°F (3°C)
Deli Drawer	Just above 32°F (0°C)
SuperCool	35.5°F (2°C) for approximately 9 hours
Energy Saving (Economy) Mode	Refrigerator: 45°F (7°C) Freezer: 3°F (-16°C)
Freezer	-9°F (-23°C) to 7°F (-14°C)
SuperFreeze®	-9°F (-23°C) for approximately 52 hours

See page 365 for accessories.

GENERAL PROPERTIES

Lighting	All-LED Sidewall and Theater Lighting
Full Width Shelves - Refrigerator	3
Adjustable Shelves - Refrigerator	2
Shelf Material - Refrigerator	Glass Shelves w/Metal Trim
Full Extension Drawers at 90° Door Opening Angle	Yes
Humidity Control Drawer	Yes
Door Bins - Refrigerator	6
Gallon Door Bins	2
Defrost Process - Freezer	Frost-Free
Freezer Drawers	1
Ice Maker	Yes
Door Open Alarm	Yes
SuperCool	Yes
SuperFreeze®	Yes
Special Modes	Sabbath, Economy, Vacation

CAPACITY

Total Unit Gross Capacity (cu. ft.) - AHAM	20 cu. ft.
Refrigerator Gross Capacity (cu. ft.)	14 cu. ft.
Freezer Gross Capacity (cu. ft.)	6 cu. ft.

TECHNICAL DETAILS

Watts (W)	588 W
Current (A)	15 A
Volts (V)	120 V
Frequency (Hz)	60 Hz
Power Cord Length (in.)	78 3/4"
Plug Type	120V 3-Wire

DIMENSIONS & WEIGHT

Appliance Dimensions (H x W x D) (in.)	84" x 35 3/4" x 24 3/4"
Required Cutout Size (H x W x D) (in.)	84" x 36" x 24" or 25"
Net / Gross Weight (lbs)	526 / 573 lbs

EFFICIENCY

ENERGY STAR® Qualified	Yes
Annual Energy Consumption	590 kWh

WARRANTY

Limited, Entire Appliance, Parts and Labor on Any Part of the Refrigerator that Fails Because of a Manufacturing Defect	2 Year
Limited Warranty for Sealed Refrigeration System*; Parts And Labor	3rd to 6th Year
Limited Warranty for Sealed Refrigeration System*; Parts Only	7th to 12th Year

* Sealed refrigeration system includes compressor, evaporator, condenser, dryer / strainer and connection tubing

T36BT820NS

36-INCH PRE-ASSEMBLED FRENCH DOOR BOTTOM FREEZER WITH PROFESSIONAL HANDLES



FREEDOM® COLLECTION



Also Available:
T36BT810NS with
Masterpiece® Handles

FEATURES & BENEFITS

- Freedom® Hinge enables true flush design
- Full-height door—true cabinet integration without exposed venting grille
- All-LED sidewall and theater lighting
- Brightspace interior design
- Flat stainless steel panel kit door panel kit, pre-assembled

TEMPERATURE RANGES

Refrigeration	35°F (2°C) to 46°F (8°C)
Adjustable Temperature Drawer	32°F (0°C) to 37°F (3°C)
Deli Drawer	Just above 32°F (0°C)
SuperCool	35.5°F (2°C) for approximately 9 hours
Energy Saving (Economy) Mode	Refrigerator: 45°F (7°C) Freezer: 3°F (-16°C)
Freezer	-9°F (-23°C) to 7°F (-14°C)
SuperFreeze®	-9°F (-23°C) for approximately 52 hours

See page 365 for accessories.

GENERAL PROPERTIES

Lighting	All-LED Sidewall and Theater Lighting
Full Width Shelves - Refrigerator	3
Adjustable Shelves - Refrigerator	2
Shelf Material - Refrigerator	Glass Shelves w/Metal Trim
Full Extension Drawers at 90° Door Opening Angle	Yes
Humidity Control Drawer	Yes
Door Bins - Refrigerator	6
Gallon Door Bins	2
Defrost Process - Freezer	Frost-Free
Freezer Drawers	1
Ice Maker	Yes
Door Open Alarm	Yes
SuperCool	Yes
SuperFreeze®	Yes
Special Modes	Sabbath, Economy, Vacation

CAPACITY

Total Unit Gross Capacity (cu. ft.) - AHAM	20 cu. ft.
Refrigerator Gross Capacity (cu. ft.)	14 cu. ft.
Freezer Gross Capacity (cu. ft.)	6 cu. ft.

TECHNICAL DETAILS

Watts (W)	588 W
Current (A)	15 A
Volts (V)	120 V
Frequency (Hz)	60 Hz
Power Cord Length (in.)	78 3/4"
Plug Type	120V 3-Wire

DIMENSIONS & WEIGHT

Appliance Dimensions (H x W x D) (in.)	84" x 35 3/4" x 24 3/4"
Required Cutout Size (H x W x D) (in.)	84" x 36" x 24" or 25"
Net / Gross Weight (lbs)	526 lbs

EFFICIENCY

ENERGY STAR® Qualified	Yes
Annual Energy Consumption	590 kWh

WARRANTY

Limited, Entire Appliance, Parts and Labor on Any Part of the Refrigerator that Fails Because of a Manufacturing Defect	2 Year
Limited Warranty for Sealed Refrigeration System*; Parts And Labor	3rd to 6th Year
Limited Warranty for Sealed Refrigeration System*; Parts Only	7th to 12th Year

* Sealed refrigeration system includes compressor, evaporator, condenser, dryer / strainer and connection tubing

T18IW800SP

18-INCH FLUSH CUSTOM WINE PRESERVATION COLUMN

FREEDOM® COLLECTION



FEATURES & BENEFITS

- Freedom® Hinge enables true flush design
- Full-height door—true cabinet integration without exposed venting grille
- All-LED theater lighting
- Accepts custom or stainless steel panels
- Reversible door swing

TEMPERATURE RANGES

Upper Zone	41°F (5°C) to 64°F (18°C)
Lower Zone	41°F (5°C) to 64°F (18°C)

See page 365 for accessories.

GENERAL PROPERTIES

Panel Ready	Yes
Reversible Door Swing	Yes
Carbon Air Filter	Yes
Lighting	All-LED Theater Lighting
Number of Shelves	11
Shelf Material	Dark Exotic Hardwood
Full Extension Shelves at 90° Door Opening Angle	Yes
Presenter Shelf	Yes
Bottles Per Shelf	5
Portable Aluminum Wine Presenter	Yes
Type Of Glass Door	Tempered and UV-protective
Number Of Temperature Zones	2
Door Open Alarm	Yes
Special Modes	Sabbath, Economy, Vacation

CAPACITY

Bottle Capacity (750 ml)	56
--------------------------	----

TECHNICAL DETAILS

Watts (W)	92 W
Current (A)	15 A
Volts (V)	120 V
Frequency (Hz)	60 Hz
Power Cord Length (in.)	78 3/4"
Plug Type	120V-3 Prong

DIMENSIONS & WEIGHT

Appliance Dimensions (H x W x D) (in.)	84" x 17 3/4" x 24"
Required Cutout Size (H x W x D) (in.)	84" x 18" x 24 3/4"
Net Weight (lbs)	268 lbs

EFFICIENCY

Annual Energy Consumption	398 kWh
---------------------------	---------

WARRANTY

Limited, Entire Appliance, Parts and Labor on Any Part of the Refrigerator that Fails Because of a Manufacturing Defect	2 Year
Limited Warranty for Sealed Refrigeration System*; Parts And Labor	3rd to 6th Year
Limited Warranty for Sealed Refrigeration System*; Parts Only	7th to 12th Year

* Sealed refrigeration system includes compressor, evaporator, condenser, dryer / strainer and connection tubing

T24IW800SP

24-INCH FLUSH CUSTOM WINE PRESERVATION COLUMN

FREEDOM® COLLECTION



FEATURES & BENEFITS

- Freedom® Hinge enables true flush design
- Full-height door—true cabinet integration without exposed venting grille
- All-LED theater lighting
- Accepts custom or stainless steel panels
- Reversible door swing

TEMPERATURE RANGES

Upper Zone	41°F (5°C) to 64°F (18°C)
Lower Zone	41°F (5°C) to 64°F (18°C)

See page 365 for accessories.

GENERAL PROPERTIES

Panel Ready	Yes
Reversible Door Swing	Yes
Carbon Air Filter	Yes
Lighting	All-LED Theater Lighting
Number of Shelves	11
Shelf Material	Dark Exotic Hardwood
Full Extension Shelves at 90° Door Opening Angle	Yes
Presenter Shelf	Yes
Bottles Per Shelf	7
Portable Aluminum Wine Presenter	Yes
Type Of Glass Door	Tempered and UV-protective
Number Of Temperature Zones	2
Door Open Alarm	Yes
Special Modes	Sabbath, Economy, Vacation

CAPACITY

Bottle Capacity (750 ml)	80
--------------------------	----

TECHNICAL DETAILS

Watts (W)	102 W
Current (A)	15 A
Volts (V)	120 V
Frequency (Hz)	60 Hz
Power Cord Length (in.)	78 3/4"
Plug Type	120V-3 Prong

DIMENSIONS & WEIGHT

Appliance Dimensions (H x W x D) (in.)	84" x 23 3/4" x 24"
Required Cutout Size (H x W x D) (in.)	84" x 24" x 24 3/4"
Net Weight (lbs)	317 lbs

EFFICIENCY

Annual Energy Consumption	421 kWh
---------------------------	---------

WARRANTY

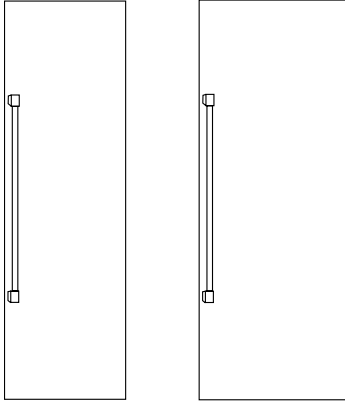
Limited, Entire Appliance, Parts and Labor on Any Part of the Refrigerator that Fails Because of a Manufacturing Defect	2 Year
Limited Warranty for Sealed Refrigeration System*; Parts And Labor	3rd to 6th Year
Limited Warranty for Sealed Refrigeration System*; Parts Only	7th to 12th Year

* Sealed refrigeration system includes compressor, evaporator, condenser, dryer / strainer and connection tubing

FREEDOM® COLLECTION

APPLIANCE OVERVIEW

FRESH FOOD COLUMNS



T24IR800SP

24-Inch

Reversible
Door Swing

Build Your
Custom Column

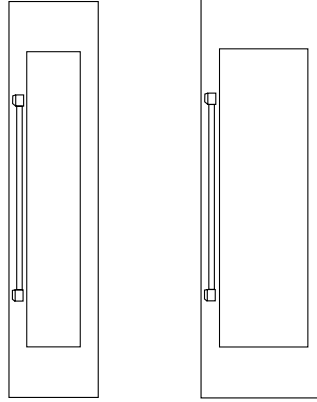
T30IR800SP

30-Inch

Reversible
Door Swing

Build Your
Custom Column

WINE PRESERVATION COLUMNS



T18IW800SP

18-Inch

Reversible
Door Swing

Build Your
Custom Column

T24IW800SP

24-Inch

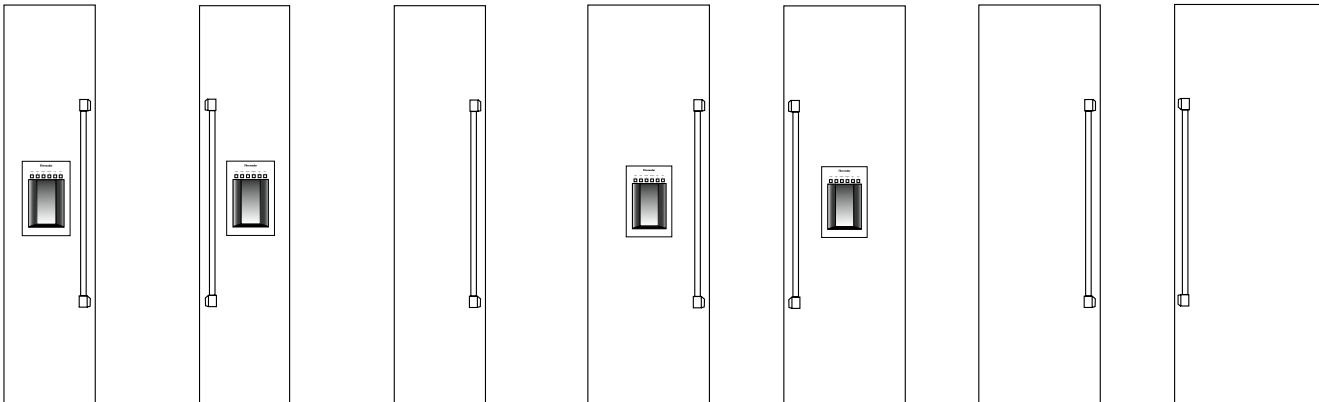
Reversible
Door Swing

Build Your
Custom Column

★ PLANNING TIP

A Frame Kit enables installation of all Freedom Columns in 24-inch deep cutouts. See page 365 for details.

FREEZER COLUMNS



T18ID800LP

18-Inch

External
Ice & Water
Dispenser

Left-Hand
Door Swing

Build Your
Custom Column

T18ID800RP

18-Inch

External
Ice & Water
Dispenser

Right-Hand
Door Swing

Build Your
Custom Column

T18IF800SP

18-Inch

Reversible
Door Swing

Build Your
Custom Column

T24ID800LP

24-Inch

External
Ice & Water
Dispenser

Left-Hand
Door Swing

Build Your
Custom Column

T24ID800RP

24-Inch

External
Ice & Water
Dispenser

Right-Hand
Door Swing

Build Your
Custom Column

T24IF800SP

24-Inch

Reversible
Door Swing

Build Your
Custom Column

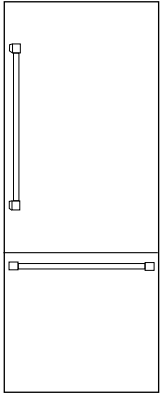
T30IF800SP

30-Inch

Reversible
Door Swing

Build Your
Custom Column

BOTTOM FREEZERS

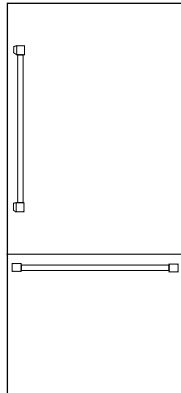


T30IB800SP

30-Inch
2-Door

Reversible
Door Swing

Build Your
Custom Column

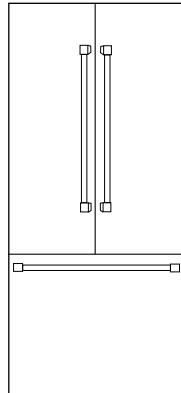


T36IB800SP

36-Inch
2-Door

Reversible
Door Swing

Build Your
Custom Column

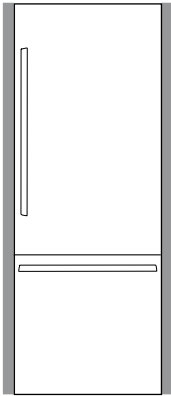


T36IT800NP

36-Inch
French Door

Build Your
Custom Column

PRE-ASSEMBLED BOTTOM FREEZERS*



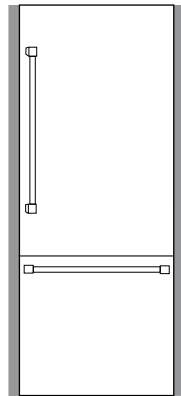
T30BB810SS

30-Inch
2-Door

Reversible
Door Swing

Flat Stainless
Steel Panels

Masterpiece®
Handles



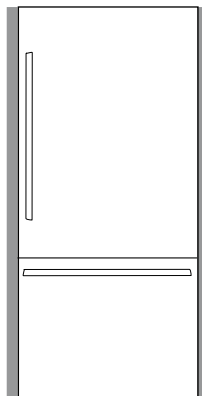
T30BB820SS

30-Inch
2-Door

Reversible
Door Swing

Flat Stainless
Steel Panels

Professional
Handles



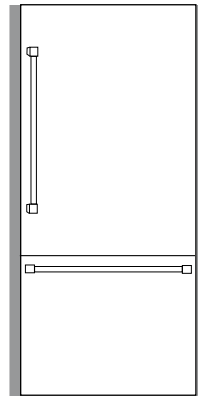
T36BB810SS

36-Inch
2-Door

Reversible
Door Swing

Flat Stainless
Steel Panels

Masterpiece®
Handles



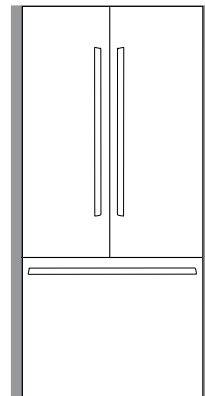
T36BB820SS

36-Inch
2-Door

Reversible
Door Swing

Flat Stainless
Steel Panels

Professional
Handles

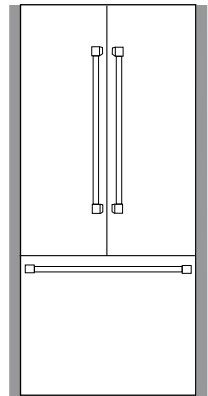


T36BT810NS

36-Inch
French Door

Flat Stainless
Steel Panels

Masterpiece®
Handles



T36BT820NS

36-Inch
French Door

Flat Stainless
Steel Panels

Professional
Handles

*Pre-assembled bottom freezers can be installed flush in 25-inch deep cutouts or with included frame in 24-inch deep cutouts.

FREEDOM® COLLECTION

BUILDING YOUR CUSTOM COLUMN

1

CHOOSE UNIT

2

CHOOSE PANEL

(All units are panel-ready for custom panel installation)

3

CHOOSE HANDLE AND OPTIONAL FRAME

NOTE: Choose one handle for each column, 2 handles for each 2-door bottom freezer and 3 handles for each French Door bottom freezer.

FRESH FOOD COLUMN – FULLY FLUSH COLLECTION

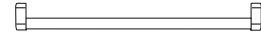
24"



T24IR800SP
Reversible Swing
Custom Column

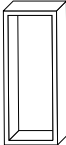
TFL24IR800
Flat Stainless Steel

TCH24IR800
Chiseled Stainless Steel



PR36HNDL10
36-Inch Professional Handle
Coordinates with Thermador Professional® Series appliances

30"



T30IR800SP
Reversible Swing
Custom Column

TFL30IR800
Flat Stainless Steel

TCH30IR800
Chiseled Stainless Steel



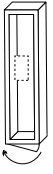
MS36HNDL10
36-Inch Masterpiece® Handle
Coordinates with Thermador Masterpiece® Series appliances

FREEZER COLUMN – FULLY FLUSH COLLECTION

18"



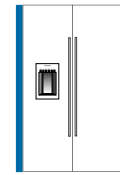
T18ID800RP
Right-Hand Swing
External Ice & Water Dispenser
Custom Column



T18ID800LP
Left Hand Swing
External Ice & Water Dispenser
Custom Column

TFL18ID800
Flat Stainless Steel with Dispenser

TCH18ID800
Chiseled Stainless Steel with Dispenser



FRAMEKIT10
This accessory enables installation in 24-inch deep cutouts. Kit includes two identical and reversible vertical frames.

18"

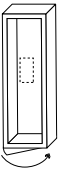


T18IF800SP
Reversible Swing
Internal Ice Maker
Custom Column

TFL18IF800
Flat Stainless Steel

TCH18IF800
Chiseled Stainless Steel

24"



T24ID800RP
Right-Hand Swing
External Ice & Water Dispenser
Custom Column



T24ID800LP
Left Hand Swing
External Ice & Water Dispenser
Custom Column

TFL24ID800
Flat Stainless Steel with Dispenser

TCH24ID800
Chiseled Stainless Steel with Dispenser

24"



T24IF800SP
Reversible Swing
Internal Ice Maker
Custom Column

TFL24IF800
Flat Stainless Steel

TCH24IF800
Chiseled Stainless Steel

30"



T30IF800SP
Reversible Swing
Internal Ice Maker
Custom Column

TFL30IF800
Flat Stainless Steel

TCH30IF800
Chiseled Stainless Steel

IMPORTANT: Use a sealing kit when connecting refrigerator and freezer columns side-by-side (included with every freezer column). Use HEATRKIT10 for all non-traditional side-by-side combinations, installations where columns are not connected but less than six inches (152 mm) from one another and for any installation in areas subject to excessive humidity. See page 365 for details.

FREEDOM® COLLECTION

BUILDING YOUR CUSTOM COLUMN

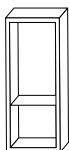
1 CHOOSE UNIT

2 CHOOSE PANEL

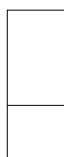
3 CHOOSE HANDLE AND OPTIONAL FRAME

BOTTOM FREEZER – FULLY FLUSH COLLECTION

30"



T30IB800SP*
2-Door
Custom Unit



TFL30IB800*
Flat
Stainless Steel

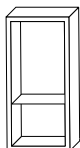


TCH30IB800*
Chiseled
Stainless Steel

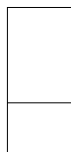


PR36HNDL10
36-Inch Professional Handle
Coordinates with Thermador
Professional® Series appliances

36"



T36IB800SP
2-Door
Custom Unit



TFL36IB800
Flat
Stainless Steel

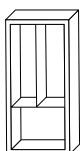


TCH36IB800
Chiseled
Stainless Steel

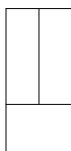


MS36HNDL10
36-Inch Masterpiece® Handle
Coordinates with Thermador
Masterpiece® Series appliances

36"



T36IT800NP
French Door
Custom Unit



TFL36IT800
Flat
Stainless Steel



TCH36IT800
Chiseled
Stainless Steel

*This appliance requires one
36-inch handle for the door and
one 30-inch handle for the
bottom freezer drawer.

PR30HNDL10
30-Inch Professional Handle
MS30HNDL10
30-Inch Masterpiece® Handle

WINE PRESERVATION – FULLY FLUSH COLLECTION

18"



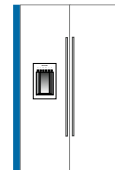
T18IW800SP
Reversible
Swing
Custom
Column



TFL18IW800
Flat
Stainless Steel
Reversible
Swing



TCH18IW800
Chiseled
Stainless Steel
Reversible
Swing



FRAMEKIT10
This accessory enables installation in
24-inch deep cutouts. Kit includes two
identical and reversible vertical frames.

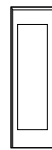
24"



T24IW800SP
Reversible
Swing
Custom
Column



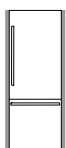
TFL24IW800
Flat
Stainless Steel
Right-Hand
Swing



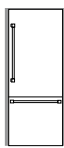
TCH24IW800
Chiseled
Stainless Steel
Right-Hand
Swing

PRE-ASSEMBLED BOTTOM FREEZERS

30"

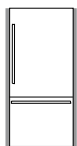


T30BB810SS
2-Door
Flat Stainless Steel Panels
Masterpiece® Handles
Removable Frame

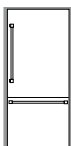


T30BB820SS
2-Door
Flat Stainless Steel Panels
Professional Handles
Removable Frame

36"

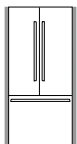


T36BB810SS
2-Door
Flat Stainless Steel Panels
Masterpiece® Handles
Removable Frame

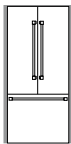


T36BB820SS
2-Door
Flat Stainless Steel Panels
Professional Handles
Removable Frame

36"



T36BT810NS
French Door
Flat Stainless Steel Panels
Masterpiece® Handles
Removable Frame



T36BT820NS
French Door
Flat Stainless Steel Panels
Professional Handles
Removable Frame

A frame is attached to all pre-assembled
models. It is removable if a flush
installation in a 25" deep cabinet
is desired.

IMPORTANT: Use a sealing kit when connecting refrigerator and freezer columns side-by-side (included with every freezer column). Use HEATRKIT10 for all non-traditional side-by-side combinations, installations where columns are not connected but less than six inches (152 mm) from one another and for any installation in areas subject to excessive humidity. See page 365 for details.

FREEDOM® COLLECTION

PLANNING CHECKLIST



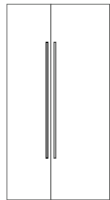
This custom product requires attention to the finest details. Did you remember to...?

- Choose a desired configuration – side-by-side or stand-alone columns (See pages 367–371 for details)
- Plan the cutout height(s) – 84" (See pages 367–371 for details)
- Plan the cutout width(s) – depends on configuration and column width (See pages 367–371 for details)
- Plan the cutout depth – 25" for North American style cabinets, 24" with installation frame accessory, 24" for European style cabinets (See pages 367–371 for details)
- Ensure the cutout interior (top and sides) is flush to the appliance at a depth of min. 4", preferably 6" from face frame (See pages 367–371 for details)
- Ensure the cutout interior returns (top and sides) are finished to match exterior at a depth of min. 4", preferably 6" from face frame (See pages 367–371 for details)
- Ensure proper clearance for appliance doors including handle(s) – check for interference with other appliances, open or closed cabinets and doors, nearby walls (See page 363 for details)
- Properly site the electrical outlet and (if applicable) water box (See page 366 for details)
- Choose the door panel type – flat (TFL series) or chiseled (TCH series) stainless steel accessory panels or design custom panel(s) (See page 364 for details)
- Ensure the reverse of any custom panel is finished to match the exterior
- Choose the handle style – Professional (PR36HNDL10), Masterpiece® (MS36HNDL10) or custom
- Choose the correct handle length – normally PR36HNDL10 or MS36HNDL10 – shorter handle (PR30HNDL10 or MS30HNDL10) for 30" bottom freezer (T30IB800SP) drawer only
- Choose the toe-kick style – stainless (included with appliance) or design custom toe-kick(s) (See page 372 for details)
- Procure the proper installation accessories – stainless steel frame kit (FRAMEKIT10) for framed installations in 24-inch deep cutouts, heater kit (HEATRKIT10) for installations where two appliances are installed side-by-side or instances where any appliances are installed less than 6" apart from another but not connected. The heater kit is also recommended for use with any installation in areas that are subject to humidity, or located next to an outside wall. (See page 365 for details)
- If applicable, procure the proper water filter accessories – additional replacement filters (REPLFLTR10), filter by-pass (SCRNFLTR10) for in-home water filtration system (See page 365 for details)

FREEDOM® COLLECTION PLANNING CHECKLIST

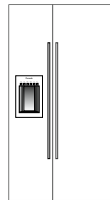
The Thermador® Freedom® Collection uses independent columns that create unlimited flexibility in both function and design. Some suggested pairings are listed below. A special kit is included with all freezer columns to simplify traditional side-by-side refrigerator / freezer combinations. When combining two appliances where one is not a freezer column or if any two units are installed less than 6" (152 mm) apart from one another but not connected side-by-side, always use the Heater Kit (HEATRKIT10) to guard against damaging condensation build-up.

42-INCH



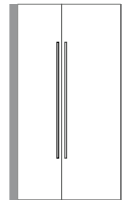
18-Inch
Freezer
Column
T18IF800SP

24-Inch
Fresh Food
Column
T24IR800SP



18-Inch
Freezer
Column
T18ID800LP

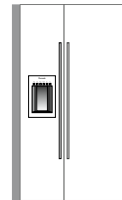
24-Inch
Fresh Food
Column
T24IR800SP



18-Inch
Freezer Column
T18IF800SP

24-Inch
Fresh Food
Column
T24IR800SP

Shown with
FRAMEKIT10

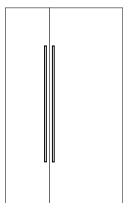


18-Inch
Freezer Column
T18ID800LP

24-Inch
Fresh Food
Column
T24IR800SP

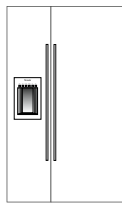
Shown with
FRAMEKIT10

48-INCH



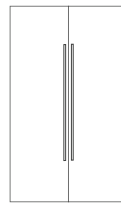
18-Inch
Freezer
Column
T18IF800SP

30-Inch
Fresh Food
Column
T30IR800SP



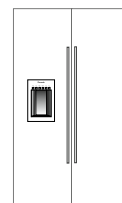
18-Inch
Freezer
Column
T18ID800LP

30-Inch
Fresh Food
Column
T30IR800SP



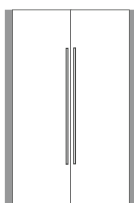
24-Inch
Freezer
Column
T24IF800SP

24-Inch
Fresh Food
Column
T24IR800SP



24-Inch
Freezer
Column
T24ID800LP

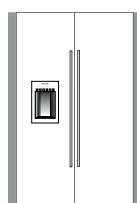
24-Inch
Fresh Food
Column
T24IR800SP



24-Inch
Freezer Column
T24IF800SP

24-Inch
Fresh Food
Column
T24IR800SP

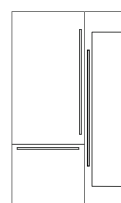
Shown with
FRAMEKIT10



24-Inch
Freezer Column
T24ID800SP

24-Inch
Fresh Food
Column
T24IR800SP

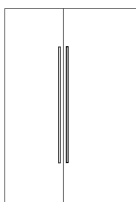
Shown with
FRAMEKIT10



30-Inch*
2-Door
Bottom Freezer
T30IB800SP

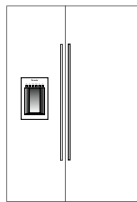
18-Inch*
Wine
Preservation
Column
T18IW800SP

54-INCH



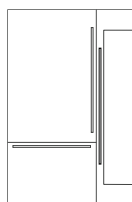
24-Inch
Freezer
Column
T24IF800SP

30-Inch
Fresh Food
Column
T30IR800SP



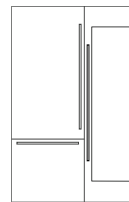
24-Inch
Freezer
Column
T24ID800LP

30-Inch
Fresh Food
Column
T30IR800SP



36-Inch*
2-Door
Bottom Freezer
T36IB800SP

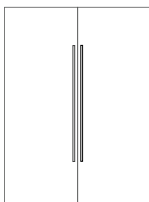
18-Inch*
Wine
Preservation
Column
T18IW800SP



30-Inch*
2-Door
Bottom Freezer
T30IB800SP

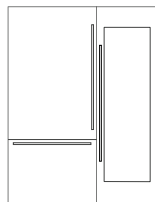
24-Inch*
Wine
Preservation Column
T24IW800SP

60-INCH



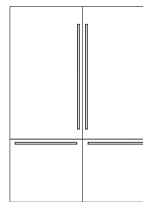
30-Inch
Freezer
Column
T30IF800SP

30-Inch
Fresh Food
Column
T30IR800SP



36-Inch*
2-Door
Bottom Freezer
T36IB800SP

24-Inch*
Wine
Preservation
Column
T24IW800SP



30-Inch*
2-Door
Bottom Freezer
T30IB800SP

30-Inch*
2-Door
Bottom Freezer
T30IB800SP

*Requires Heater Kit HEATRKIT10

FREEDOM® COLLECTION

PLANNING INFORMATION

INSTALLATION CONSIDERATIONS

LOCATION

The appliance should be installed in a dry, ventilated room. It may not be installed outdoors. The ambient temperature of the room must be between 55°F (13°C) and 100°F (43°C).

The appliance should not be exposed to constant direct sunlight or excessive heat. If installation next to a heat source, such as an oven, radiator, etc. is unavoidable, use a suitable insulating plate or observe the following minimum distances from the heat source:

- 1 1/4" (30 mm) from an electric cooking appliance,
- 11 13/16" (300 mm) from an oil or solid-fuel cooking appliance.

INSTALLATION AND CUTOUT DIMENSIONS

Please see pages 367–371 for complete cutout planning information.

It is important to observe the specified dimensions of the installation cutout for a trouble-free installation of the appliance and for the subsequent appearance of the door panel.

- In particular ensure that the cutout is square. Squareness can be checked by suitable means, e.g. spirit level, diagonal measurements, etc.
- The side walls of the cutout must be flush. The minimum thickness of the side and top walls is 5/8" (16 mm). The minimum thickness of toekick panel is 1/4" (6 mm).

FURNITURE / FIXTURES

During installation, the appliance is fastened to adjacent and overhead furniture / fixtures and it is therefore essential that all such furniture / fixtures are well secured to the substructure or adjacent wall.

FLOORING / SUBSTRUCTURE

On account of the heavy weight of a fully loaded appliance, a load-bearing substructure is required. To ensure correct installation and function, the support must be flat, level and made of hard, rigid material. If in doubt, contact an architect or a building expert.

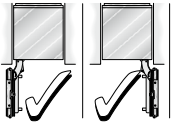
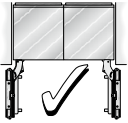
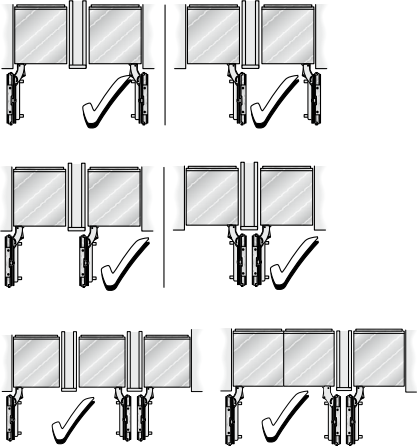
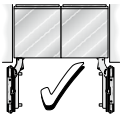

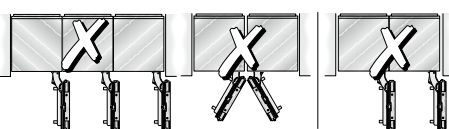
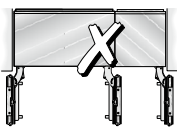
Refer to the following table for load-bearing capacity:

APPLIANCE	LOAD BEARING CAPACITY
24-Inch Fresh Food Column	890 lbs. / 400 kg
30-Inch Fresh Food Column	1,110 lbs. / 500 kg
18-Inch Freezer Column	560 lbs. / 250 kg*
24-Inch Freezer Column	780 lbs. / 350 kg*
30-Inch Freezer Column	950 lbs. / 425 kg
30-Inch Bottom Freezer	900 lbs. / 410 kg
36-Inch Bottom Freezer	1,200 lbs. / 540 kg

*Without water dispenser

FREEDOM® COLLECTION INSTALLATION OPTIONS

The Freedom® Collection offers a variety of installation possibilities*. In some instances, special accessories are required.

RECOMMENDED INSTALLATIONS	CONSIDERATIONS
<p>STAND-ALONE</p> 	<p>Any Freedom appliance can be installed as a stand-alone unit. Ensure a cutout flush to the appliance at a depth of minimum 4" (102 mm), preferably 6" (152 mm) on the top and sides.</p>
<p>SIDE-BY-SIDE</p> 	<p>When two appliances are installed side-by-side a sealing kit must be used. For combinations that involve a freezer column, this kit is provided. For all other (non-traditional) side-by-side combinations or instances where any appliances are installed less than 6" (152 mm) apart from one another but not connected side-by-side, purchase the Heater Kit (HEATRKIT10).</p>
<p>SPLIT COLUMNS WITH PARTITION</p> 	<p>When dimensioning the partition, note the thickness of the door panel (including handles) as well as the swivel range to prevent damage if the doors are opened at the same time. (See page 247 for details on door swivel range dimensions)</p> <p>Three appliances can be installed together only if a partition—minimum 5/8" (16 mm)—is placed between two of the appliances. Ensure that door panel thickness (including handles) as well as the swivel range are accounted for.</p>
<p>AT THE END OF A CABINERY RUN</p> 	<p>All Freedom appliances must be completely enclosed on the top and sides. If one side of the appliance is visible, a decorative side panel must be used. The side panel must be connected firmly to the wall, the floor and any overhead furniture / fixtures before the appliance is placed in the cutout.</p>
NOT RECOMMENDED	CONCERNS
	<p>It is absolutely essential to ensure that the appliance is installed in such a way that the doors do not interfere with an adjacent wall or other kitchen elements. (See page 247 for details on door swivel range dimensions)</p>
	<p>A partition—minimum 5/8" (16 mm)—is required to ensure the doors do not interfere with one another when opened. Use a partition to separate appliances and observe the door swivel range. (See page 247 for details on door swivel range dimensions)</p>
	<p>A Thermador French Door Bottom Freezer cannot be connected side-by-side with any other appliance. Use a partition to separate appliances and observe the door swivel range. (See page 247 for details on door swivel range dimensions)</p>

*The Thermador warranty shall apply only to recommended installations.

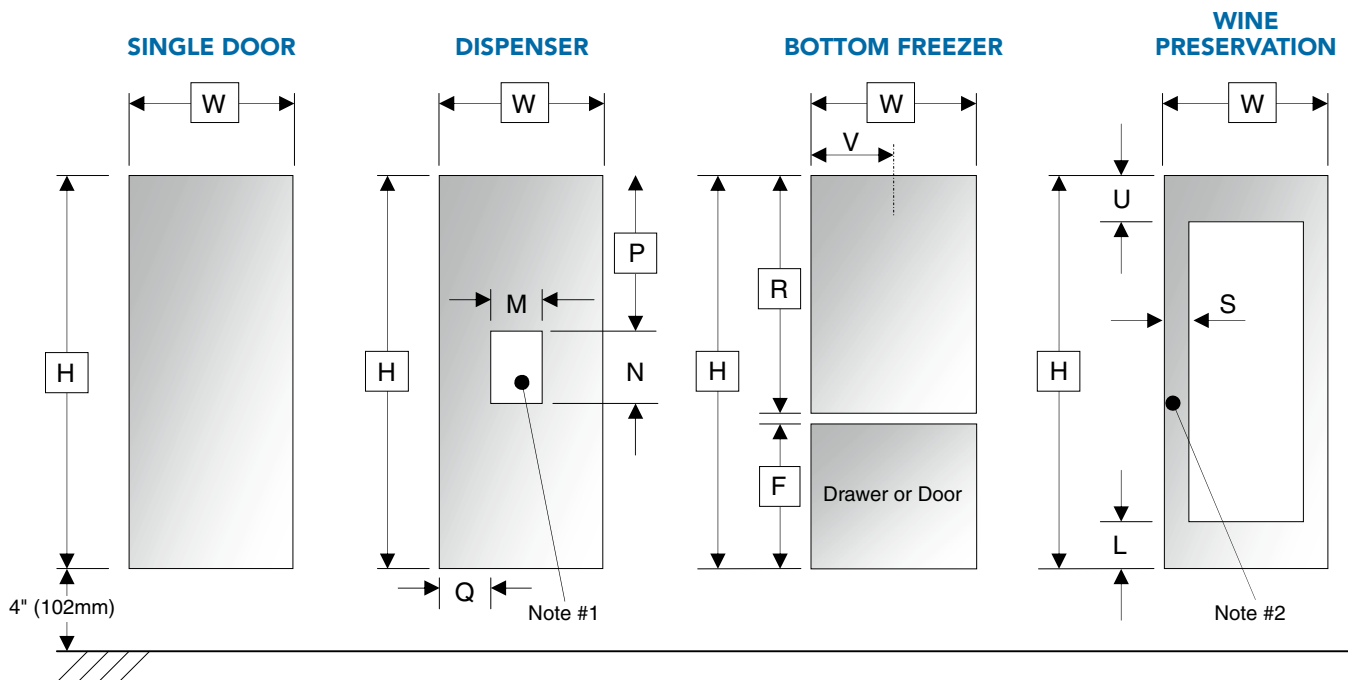
FREEDOM® COLLECTION

DOOR PANEL DIMENSIONS

Each Freedom® Collection refrigeration appliance is designed to be equipped with a decorative door panel. A panel can be custom-made or purchased as a stainless steel accessory. The table below illustrates the dimensions of the stainless steel panel accessories and can be used as a guide in creating custom panels. At 79 7/8" (2029 mm) tall, they are designed for a toe-kick height of 4" (102 mm), and a total cutout height of 84" (2134 mm) yielding 1/8" (3 mm) reveals. At 3/4" (19 mm) deep, they are designed to attach to the 24" (610 mm) deep appliance for an overall depth of 24 3/4" (629 mm). See page 368 for cutout planning.

When using custom panels, always ensure that the panel reverse is finished to match the exterior, as parts of the panel reverse will be visible when the refrigerator door is opened.

IMPORTANT: While these sketches can serve as a general guide in planning panel dimensions, the correct panel dimensions are dictated by design choices including style and dimensions of surrounding kitchen cabinetry, case and toe-kick height, etc. Please ensure careful planning based on the specific kitchen design.



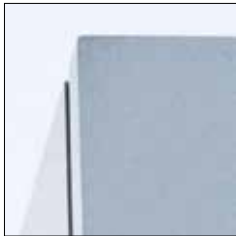
MODEL	DESCRIPTION	H	W	V	R	F	M	N	P	Q	U	L	S	MAX. PANEL WEIGHT
T18IF800SP	18-Inch Freezer Column	79 7/8" (2029 mm)	17 3/4" (451 mm)	—	—	—	—	—	—	—	—	—	—	37 lbs. (17kg)
T24IR800SP T24IF800SP	24-Inch Freezer / Fresh Food Columns	79 7/8" (2029 mm)	23 3/4" (603 mm)	—	—	—	—	—	—	—	—	—	—	50 lbs. (23kg)
T30IR800SP T30IF800SP	30-Inch Freezer / Fresh Food Columns	79 7/8" (2029 mm)	29 3/4" (756 mm)	—	—	—	—	—	—	—	—	—	—	64 lbs. (29kg)
T18ID800RP T18ID800LP	18-Inch Ice & Water Dispenser Columns	79 7/8" (2029 mm)	17 3/4" (451 mm)	—	—	—	9 1/16" (230.5 mm)	14 1/2" (368.3 mm)	32 11/16" (830.5 mm)	4 11/32" (110 mm)	—	—	—	37 lbs. (17kg)
T24ID800RP T24ID800LP	24-Inch Ice & Water Dispenser Columns	79 7/8" (2029 mm)	23 3/4" (603 mm)	—	—	—	9 1/16" (230.5 mm)	14 1/2" (368.3 mm)	32 11/16" (830.5 mm)	7 11/32" (186 mm)	—	—	—	50 lbs. (23kg)
T30IB800SP	30-Inch Two-Door Bottom Freezer	79 7/8" (2029 mm)	29 3/4" (756 mm)	—	51 11/32" (1304 mm)	28 13/32" (722 mm)	—	—	—	—	—	—	—	55 lbs. (25kg)
T36IB800SP	36-Inch Two-Door Bottom Freezer	79 7/8" (2029 mm)	35 3/4" (908 mm)	—	51 11/32" (1304 mm)	28 13/32" (722 mm)	—	—	—	—	—	—	—	55 lbs. (25kg)
T36IT800NP	36-Inch French Door Bottom Freezer	79 7/8" (2029 mm)	35 3/4" (908 mm)	17 3/4" (451 mm)	51 11/32" (1304 mm)	28 13/32" (722 mm)	—	—	—	—	—	—	—	55 lbs. (25kg)
T18IW800SP	18-Inch Wine Preservation Column	79 7/8" (2029 mm)	17 3/4" (451 mm)	—	—	—	—	—	—	—	10 1/8" (257 mm)	10 1/8" (257 mm)	3 3/4" (95 mm)	37 lbs. (17kg)
T24IW800SP	24-Inch Wine Preservation Column	79 7/8" (2029 mm)	23 3/4" (603 mm)	—	—	—	—	—	—	—	10 1/8" (257 mm)	10 1/8" (257 mm)	3 3/4" (95 mm)	50 lbs. (23kg)

NOTE #1: The cutout for the dispenser unit must be horizontally and vertically centered in the panel.

NOTE #2: For custom wine preservation column door panels, the width of the two lateral flanges of the frame may vary between 2 1/2" (64 mm) and 3 3/4" (95 mm).

FREEDOM® COLLECTION OPTIONAL ACCESSORIES

FLAT STAINLESS STEEL DOOR PANELS



FRESH FOOD

TFL24IR800	24-Inch
TFL30IR800	30-Inch

FREEZER

TFL18ID800	18-Inch with Dispenser
TFL18IR800	18-Inch without Dispenser
TFL24ID800	24-Inch with Dispenser
TFL24IR800	24-Inch without Dispenser
TFL30IR800	30-Inch without Dispenser

BOTTOM FREEZER

TFL30IB800	30-Inch 2-Door
TFL36IB800	36-Inch 2-Door
TFL36IT800	36-Inch French Door

WINE PRESERVATION

TFL18IW800	18-Inch
TFL24IW800	24-Inch

CHISELED STAINLESS STEEL DOOR PANELS



FRESH FOOD

TCH24IR800	24-Inch
TCH30IR800	30-Inch

FREEZER

TCH18ID800	18-Inch with Dispenser
TCH18IR800	18-Inch without Dispenser
TCH24ID800	24-Inch with Dispenser
TCH24IR800	24-Inch without Dispenser
TCH30IR800	30-Inch without Dispenser

BOTTOM FREEZER

TCH30IB800	30-Inch 2-Door
TCH36IB800	36-Inch 2-Door
TCH36IT800	36-Inch French Door

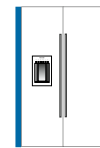
WINE PRESERVATION

TCH18IW800	18-Inch
TCH24IW800	24-Inch

INSTALLATION ACCESSORIES

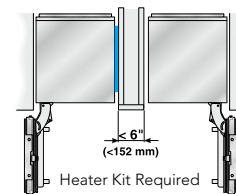
FRAMEKIT10 FREEDOM® FRAME KIT

Included with all pre-assembled bottom freezers, this adjustable frame is also available as an optional accessory for use with any custom column for installation in 24-inch (610 mm) deep cutouts. The kit includes two identical and reversible metal side trims whose placement between the interior cutout wall and the appliance helps overcome the challenge of unfinished cabinet returns.



HEATKIT10 FREEDOM® HEATER KIT

When two appliances are installed side-by-side a sealing kit must be used. For combinations that involve a freezer column, this kit is provided. For all other (non-traditional, i.e. two wine columns, two bottom freezers, etc.) side-by-side combinations or instances where any appliances are installed less than 6" (152 mm) apart from one another but not connected side-by-side, purchase this kit. This kit is also recommended for use with any installation in areas that are subject to extreme humidity.



FILTER ACCESSORIES

REPLFLTR10 WATER FILTER

Replacement water filter for use in all freezer and bottom freezer models.

SCRNFLTR10 FILTER BY-PASS

Filter by-pass for use with existing in-home water filtration systems. For all freezer and bottom freezer models.

HANDLES

PR36HNDL10 36-INCH PROFESSIONAL PR30HNDL10* 30-INCH PROFESSIONAL

Coordinates with Thermador Professional® Series appliances.



MS36HNDL10 36-INCH MASTERPIECE® MS30HNDL10* 30-INCH MASTERPIECE®

Coordinates with Thermador Masterpiece® Series appliances.



NOTE: Choose one handle for each column, choose 2 handles for each 2-door bottom freezer and choose 3 handles for each French Door bottom freezer.

*For use with T30IB800SP bottom freezer drawer only.

FREEDOM® COLLECTION

PLANNING INFORMATION

ELECTRICAL SPECIFICATIONS

The appliance comes with a 3-wire power supply cord. UL listed in the USA.

The appliance requires a 3-wire receptacle that is fitted with a 15 Amp fuse or higher. Refer to the following table for max load details.

APPLIANCE	MAX LOAD
	120V AC, 60Hz
24-Inch Fresh Food Column	15 A
30-Inch Fresh Food Column	15 A
18-Inch Freezer Column*	15 A
24-Inch Freezer Column*	15 A
30-Inch Freezer Column*	15 A
30-Inch 2-Door Bottom Freezer*	15 A
36-Inch 2-Door Bottom Freezer*	15 A
36-Inch French Door Bottom Freezer*	15 A
18-Inch Wine Preservation Column	15 A
24-Inch Wine Preservation Column	15 A

*Including ice maker

The receptacle must be installed by a licensed electrician only.

For the installation position of the receptacle refer to diagram in "Electrical Location".

GROUNDING INSTRUCTION

This appliance must be grounded. In the event of a malfunction or breakdown, grounding will reduce the risk of electric shock by providing a path of least resistance for the electric current.

ADDITIONAL GROUNDING PROCEDURE

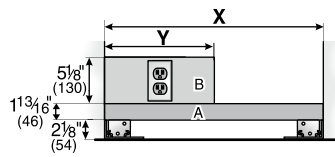
Some local regulations may require a separate ground. In such cases, the required accessory ground wire, clamp and screw must be purchased separately. Never ground the appliance to plastic plumbing lines, gas lines or water pipes.

A 4-conductor cord shall be used when the appliance is installed in an area where local codes do not permit grounding through the neutral. Power supply cord must be replaced by a licensed electrician only.

WARNING

Improper connection of the equipment grounding conductor may result in electric shock. Have the appliance checked by a qualified electrician or service technician if you are in doubt as to whether the appliance has been properly grounded.

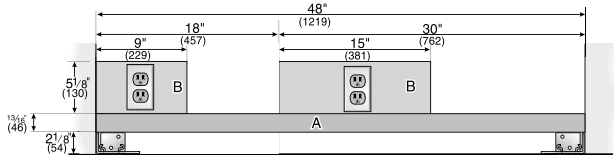
ELECTRICAL LOCATION



SPLIT COLUMN INSTALLATION

	18-Inch	24-Inch	30-Inch
X	18" (457 mm)	24" (610 mm)	30" (762 mm)
Y	9" (229 mm)	12" (305 mm)	15" (381 mm)

SIDE-BY-SIDE INSTALLATION



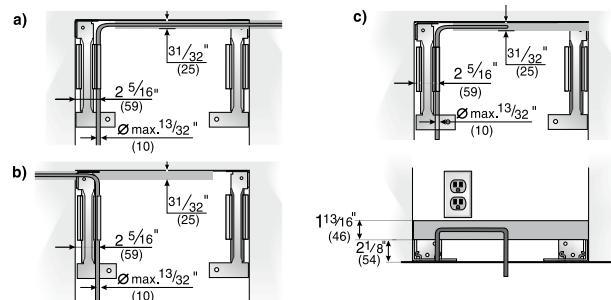
WATER LOCATION

A cold water connection is required for appliances that feature an ice maker or an ice and water dispenser.

The water pressure must be between 40 and 120 p.s.i. (2.75-8.25 bar). The installation must comply with local plumbing regulations.

A separate shut-off valve must be installed for the appliance water connection.

The shut-off valve for the water connection may not be behind the appliance. It is recommended to place the shut-off valve outside the cutout next to the appliance or in another easily accessible location. When installing the water connection, observe the permitted installation areas for the water supply line. The supply line can be located to the right (a), to the left (b), or underneath (c).



CABINERY TERMS & BASIC REQUIREMENTS

To clarify the terms that are used in this design guide, please refer to the following definitions:

CASE

This is the main body of a kitchen cabinet.

(CABINET) FACE FRAME

This is a decorative frame at the front of a kitchen cabinet representing the space between cabinetry doors or drawers and is typical for North America. European style cabinets (frameless cabinetry) typically do not have a face frame.

DOOR PANEL

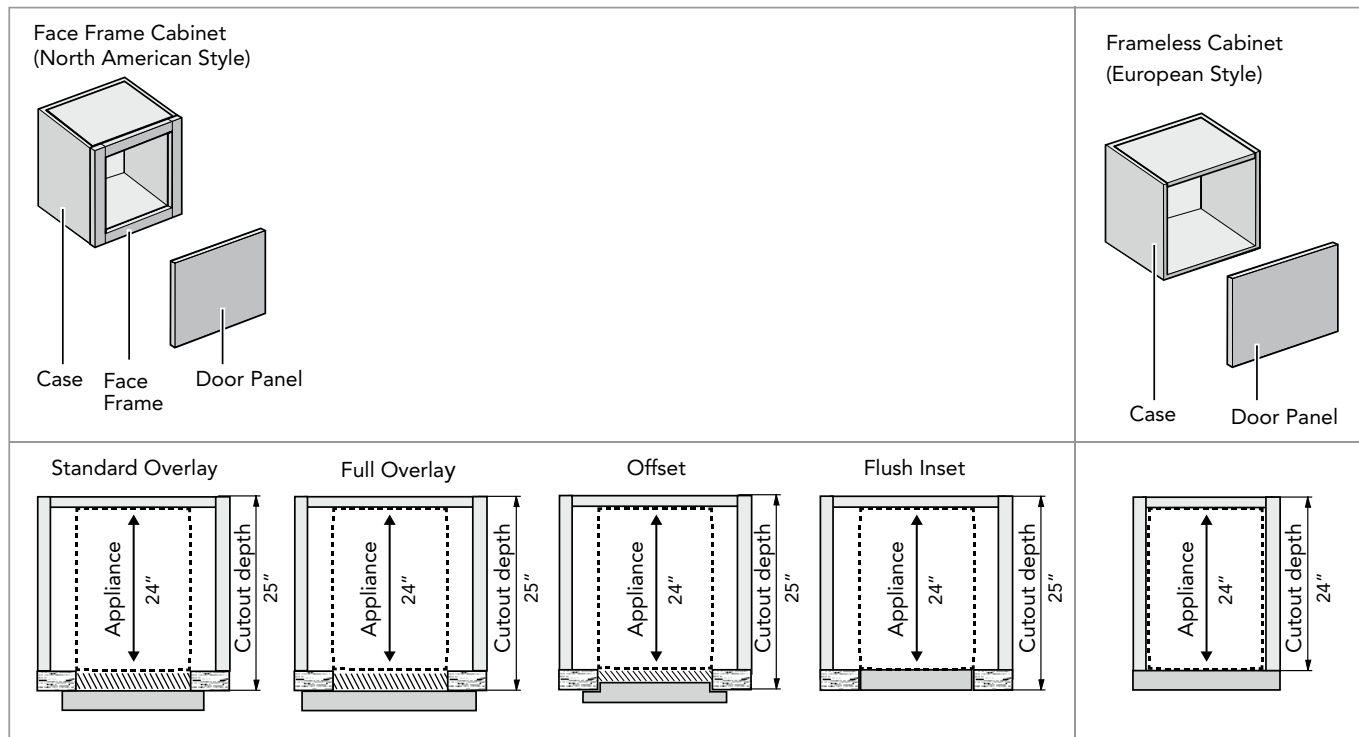
Able to be fully flush integrated when installed in 25" (635 mm) deep cabinets, Freedom® Collection refrigerators are intentionally designed to be equipped with custom door panels that perfectly match surrounding kitchen cabinetry. Typical panel thickness is $\frac{3}{4}$ " (19 mm). However, thicker panels can be accommodated to emulate the look of the visible face frame (as in overlay) or to match existing kitchen cabinetry doors. When using custom panels, always ensure that the panel reverse is finished to match the exterior, as parts of the panel reverse will be visible when the refrigerator door is opened.

CUTOUT (NICHE)

The cutout is the cavity in which a Freedom® Collection appliance is installed. The width of the cutout (18-inch, 24-inch, 30-inch, etc.) is dependent on the appliance(s). The total depth of the cutout is equal to the depth of the case plus face frame. It does not necessarily include the thickness of the door panel. For proper planning of cutout depth, please refer to pages 367–371.

Typically, the cutout for a Freedom® Collection appliance will be 25" (635 mm) deep. When planning the cutout, it is essential that the top and side interior walls be flush to the appliance at a minimum depth of 4" (102 mm) from the outer edge of the face frame and composed of thick ($\frac{5}{8}$ " (16 mm) minimum) material for secure installation. Also, because the case interior will be partially visible when the refrigerator door is opened, always ensure that the top and side returns are finished to match the exterior furniture at the same minimum depth of 4" (102 mm).

KITCHEN CABINERY ILLUSTRATION



FREEDOM® COLLECTION

INSTALLATION DIMENSIONS

CABINERY STYLE & CUTOUT DEPTH

Freedom® Collection refrigeration appliances are designed to accommodate nearly any type of kitchen cabinetry door installation. Generally, when using standard $\frac{3}{4}$ " (19 mm) panels, 25" (635 mm) deep cutouts are recommended but the required cutout depth depends on the desired cabinetry and custom panel execution, whether typical North American styles that employ a face frame—requiring a depth of 25" (635 mm)—or European style—requiring a depth of 24" (610 mm).

The below cabinetry styles detail requirements for the cutout and custom panel.

A) STANDARD (PARTIAL) OVERLAY – 25" (635 MM) CUTOUT DEPTH

With standard overlay kitchen cabinetry the face frame is an important design element. In order to emulate this aesthetic for the refrigerator, one must account for the door panel thickness (typically $\frac{3}{4}$ " (19 mm)) as well as the face frame thickness (here, also $\frac{3}{4}$ " (19 mm)). The resulting thickness of the custom door panel is therefore $\frac{3}{4}$ " (19 mm) + $\frac{3}{4}$ " (19 mm) = 1 $\frac{1}{2}$ " (38 mm). The cumulative thickness of the custom door panel requires added depth in the cutout so 25" (635 mm) is recommended (see sketch).

B) FULL OVERLAY – 25" (635 MM) CUTOUT DEPTH

The requirements for standard overlays are also valid for full overlay designs so 25" (635 mm) cutout depth is recommended. However, especially if kitchen cabinet doors are thinner than $\frac{3}{4}$ " (19 mm) or reveals are $\frac{1}{8}$ " (3 mm) or smaller, a 24" (610 mm) cutout depth may also be acceptable. In this execution both the cabinet door and the small reveal of the fully overlaid face frame must be emulated within the typical appliance door panel thickness of $\frac{3}{4}$ " (19 mm). This can be done either a) by simply ignoring the visible area of the face frame (very small reveals show virtually no face frame) or b) by creating a "nose" on the custom door panel to emulate a small visible face frame (see sketch).

C & D) OFFSET & FLUSH INSET – 25" (635 MM) CUTOUT DEPTH

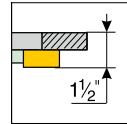
Here, kitchen cabinetry door panels do not rest atop the cabinet face frame (overlay), but are instead inserted partially (offset) or fully flush (inset) into the face frame. Such offset or flush inset door panels require additional depth in the cutout. Using the example of a $\frac{3}{4}$ " (19 mm) thick panel, the complete cutout depth would be 24" (610 mm) + $\frac{3}{4}$ " (19 mm) = 24 $\frac{3}{4}$ " (629 mm) and in this example 25" (635 mm) is recommended.

E) FRAMED – 24" (610 MM) CUTOUT DEPTH

For Freedom® Collection refrigeration appliances, a metal frame (FRAMEKIT10) may be affixed to the side of the cabinet which conveniently hides unfinished case returns and provides a classic built-in look. This is particularly relevant for existing cabinetry that has not been custom-built to accommodate these appliances. A 24" (610 mm) cutout will result in a slightly protruding door panel for a typical built-in look.

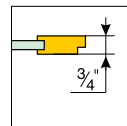
F) EUROPEAN STYLE KITCHEN CABINERY – 24" (610 MM) CUTOUT DEPTH

If the kitchen design is based on European style cabinetry, there is no need to emulate the look of a face frame, as such a frame is not an element of the kitchen cabinetry design. Therefore a 24" (610 mm) deep cutout with accompanying custom panel will always be sufficient.



A) STANDARD OVERLAY DESIGN

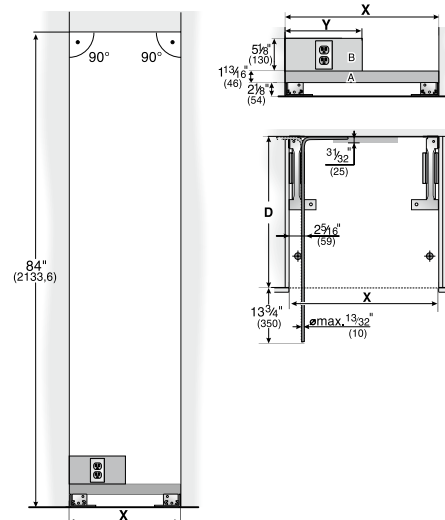
Custom Door Panel (Emulating a Face Frame)



B) FULL OVERLAY DESIGN

Custom Door Panel with Nose (Emulating a Face Frame)

SPLIT COLUMN INSTALLATION



A: Area for running the water line. It is recommended the water-box be placed adjacent to the installation cutout, so that it can be accessed for service without uninstalling the appliance. If this is not possible, place the recessed water box adjacent to the power supply socket elevated at the heights as referenced in areas A+B.

B: Area for installing the power connection

D: Opening depth of cutout, depending on kitchen design (24" minimum)

	X	Y
18-Inch Columns	18" (457 mm)	9" (229 mm)
24-Inch Columns	24" (610 mm)	12" (305 mm)
30-Inch Columns	30" (762 mm)	15" (381 mm)
30-Inch Bottom Freezer	30" (762 mm)	15" (381 mm)
36-Inch Bottom Freezer	36" (914 mm)	18" (457 mm)

IMPORTANT

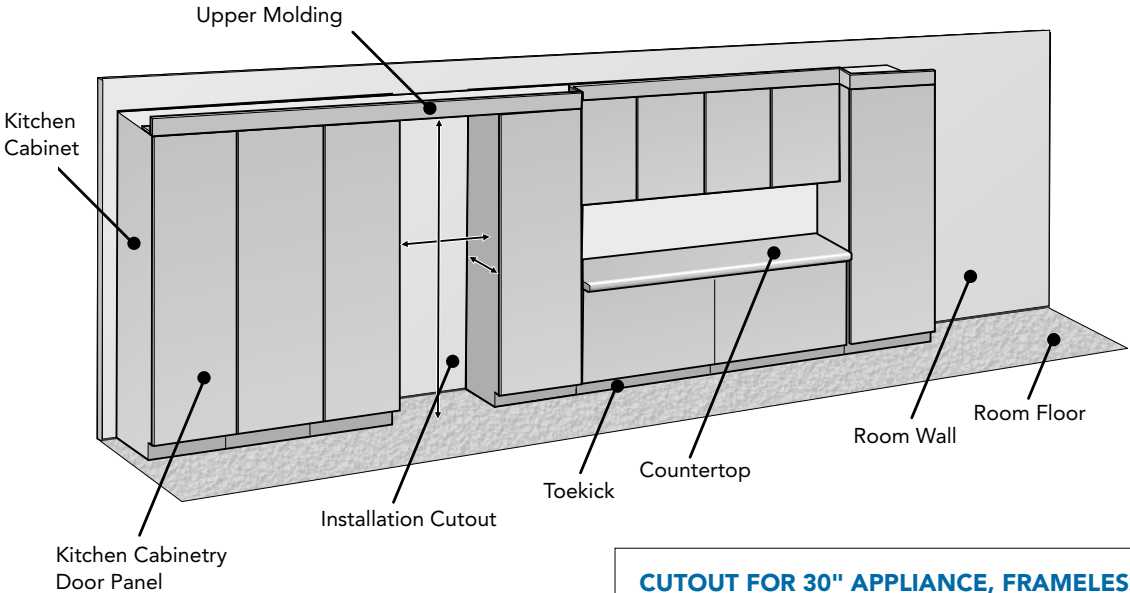
It is strongly recommended the top interior of the cutout be of solid material ($\frac{5}{8}$ " (16 mm) thickness). Ensure that the top well is completely flush for a depth of at least 4" (102 mm).

Ensure that the side walls of the cutout are also completely flush to a depth of at least 4" (102 mm).

If, for some reason, a separate cutout cabinet is created, ensure that the furniture return is at least 4" (102 mm) deep for proper installation.

FREEDOM® COLLECTION INSTALLATION DIMENSIONS

PLANNING EXAMPLE #1: FRAMELESS (EUROPEAN) CABINETRY

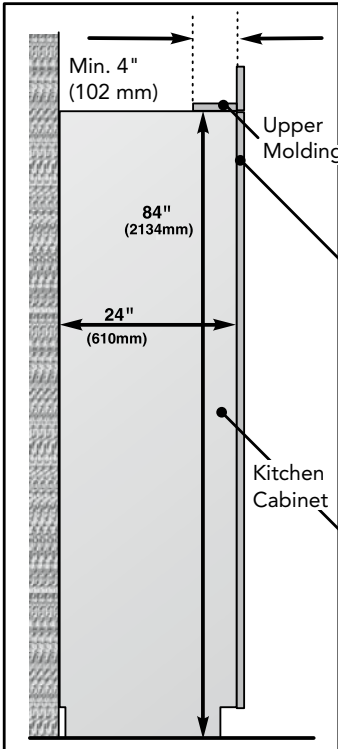


CUTOUT FOR 30" APPLIANCE, FRAMELESS CABINETRY:

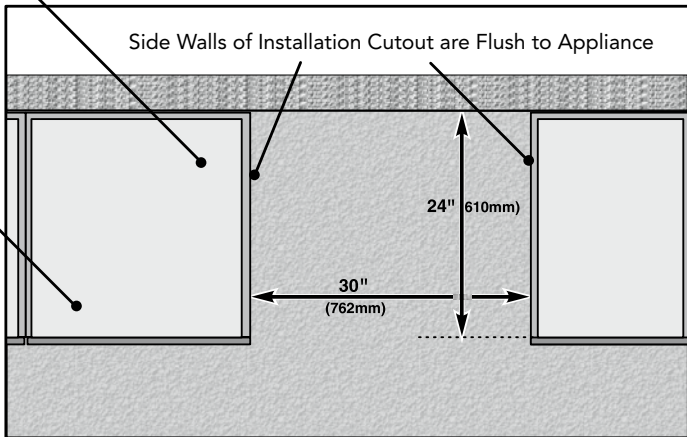
In this example, the installation cutout is formed by simply leaving a gap between two kitchen cabinets.

The custom door panel $\frac{3}{4}$ " (19 mm) will be identical in appearance and thickness to the surrounding kitchen cabinetry panels.

- cutout width is exactly 30" (762 mm)
- cutout (case) depth is 24" (610 mm)—does not include door panel
- top and side walls of cutout interior are completely flush, of solid material and at least 4" (102 mm) deep



INSTALLATION CUTOUT (VERTICAL SECTION)



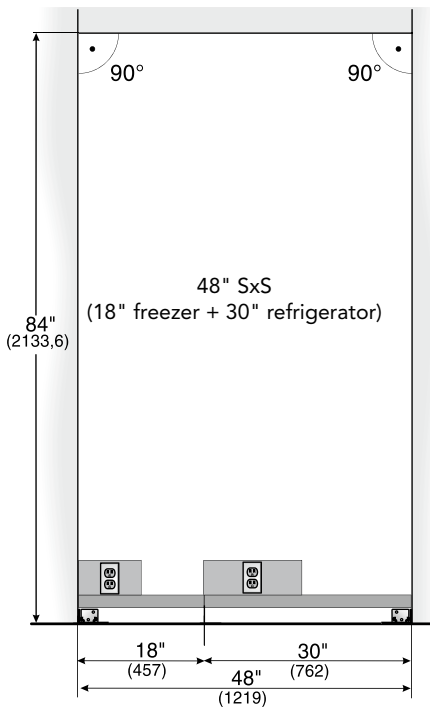
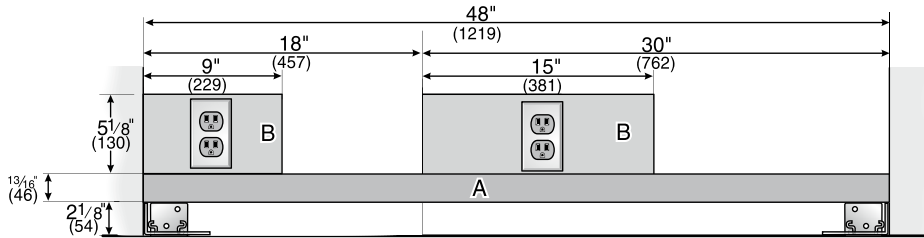
30-INCH INSTALLATION CUTOUT (HORIZONTAL SECTION)

FREEDOM® COLLECTION

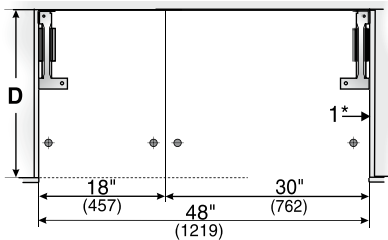
INSTALLATION DIMENSIONS

SIDE-BY-SIDE INSTALLATION

The cutout width for side-by-side installations is defined by adding together the dimensions of two single columns. Below are the dimensions of a classic 48" side-by-side, with an 18" freezer on the left and a 30" refrigerator on the right.



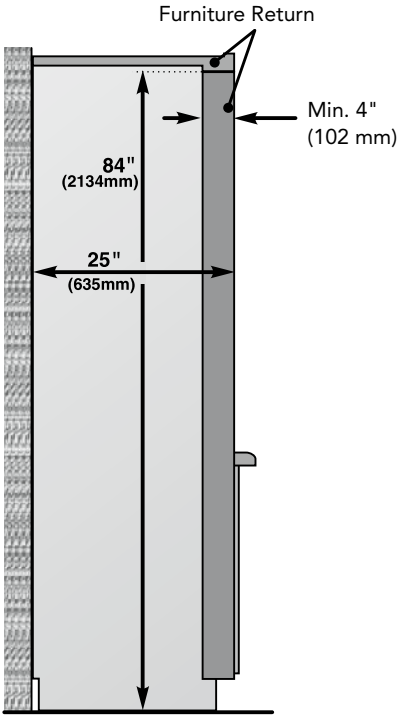
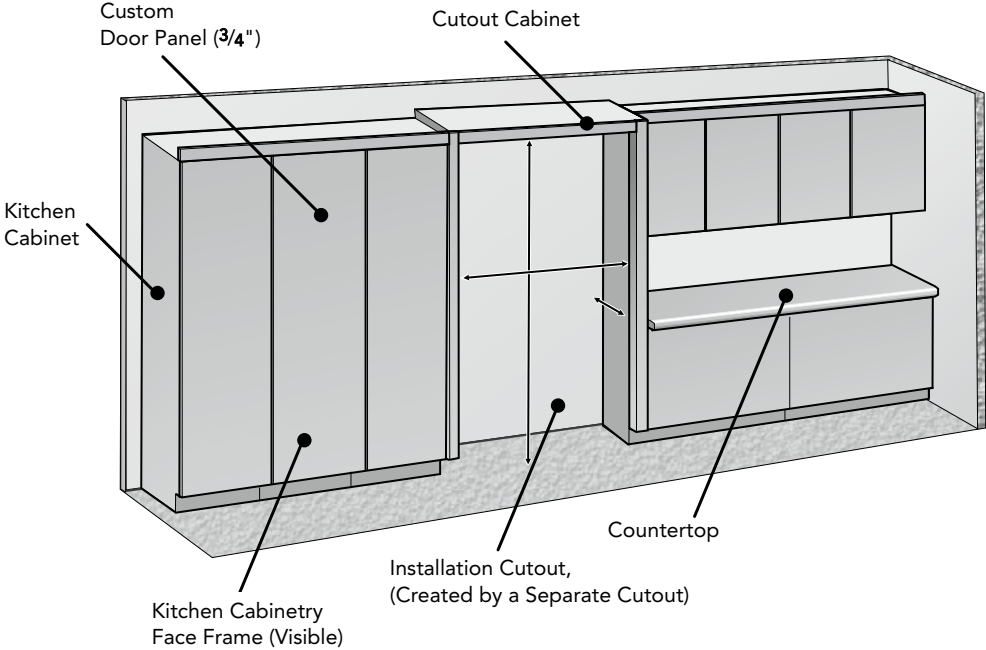
IMPORTANT: Just as with stand-alone columns, always ensure that the receptacles and the water line are correctly positioned. For dimensional requirements see page 366.



- A: Area for running the water line. It is recommended the water-box be placed adjacent to the installation cutout, so that it can be accessed for service without uninstalling the appliance. If this is not possible, place the recessed water box adjacent to the power supply socket elevated at the heights as referenced in areas A+B.
- B: Area for installing the power connection
- D: Opening depth of cutout, depending on kitchen design (24" minimum)

FREEDOM® COLLECTION INSTALLATION DIMENSIONS

PLANNING EXAMPLE #2: STANDARD OVERLAY CABINETY

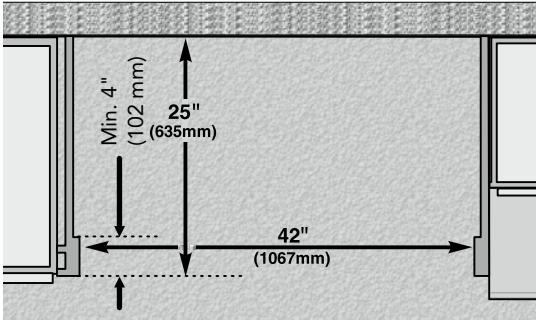


CUTOUT FOR 42" SIDE-BY-SIDE APPLIANCE COMBINATION, STANDARD OVERLAY CABINETY:

In this example, the installation cutout is formed by creating a separate cutout around the appliances. It yields a look that deviates from the general kitchen design.

The custom door panel has a cumulative thickness of 1 1/2" (38 mm), 3/4" (19 mm) emulating the face frame and 3/4" (19 mm) for the actual door panel). Thus, a 25" (635 mm) deep installation cutout is required.

- cutout width is exactly 42" (for an 18" + 24" = 42" side-by-side combination)
- cutout (case) depth is 25" (635 mm) due to 1 1/2" (38 mm) custom door panel
- any furniture return must be at least 4" (102 mm) deep, on interior top and sides, of solid material and should be finished to match the exterior at the same depth (4" or 102 mm)

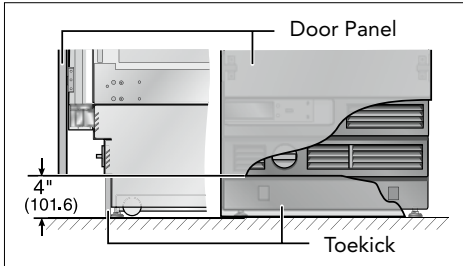


FREEDOM® COLLECTION

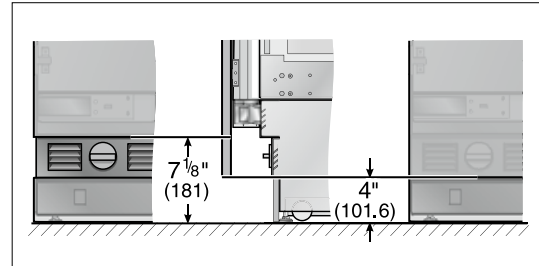
INSTALLATION DIMENSIONS

TOEKICK & VENTING GRILLE

Each Freedom® Collection refrigeration appliance comes with a 4" (102 mm) tall stainless steel toekick. A custom-made toekick that matches the surrounding cabinetry may be applied instead. While standard toekick height is 4" (102 mm), depending on the usage of the leveling legs, the toekick height could vary. Regardless of toekick height, it is imperative that the venting grille remain unblocked to ensure proper functionality of the appliance. Decorative toekicks should be removable to allow for servicing.



Typical 4" (102 mm) toekick height. Velcro adhesive strips are used to fasten the toekick to the appliance. Venting grille and (if applicable) the water filter cavity are located above the toekick area.



If required by the surrounding cabinetry design, the distance between the bottom edge of the door panel and the floor can be increased from approx. 4" (102 mm) up to 7 1/8" (181 mm), but should not be decreased. Note, however, that the venting grille and (if applicable) water filter cavity will be visible, even if the door is closed.

UPPER MOLDING

The planning of decorative upper molding above the cutout requires taking into account the actual or desired height of the door panel.

The overall height of the door panel will depend on:

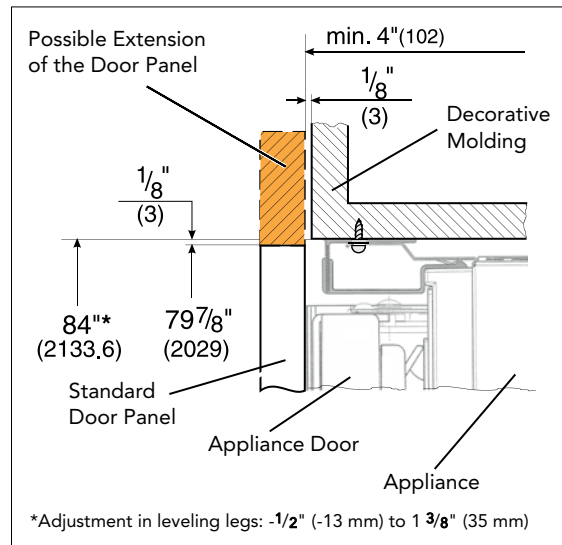
- the height of the appliance, typically 84" (2134 mm)—leveling legs allow height adjustment ranging from -1/2" (-13 mm) to +1 3/8" (+35 mm)
- the installed height of the door panel (distance from the bottom edge of the door panel to the floor, typically 4" (102 mm), and, if desired, any extension of the custom panel above the appliance cutout)
- the appliance type (single door or bottom freezer)

IMPORTANT

Please recall that a panel should be installed at a minimum height of 4" (102 mm) from the floor to allow proper ventilation of the appliance.

Always ensure that the top of the cutout or upper decorative molding is at least 4" (102 mm) deep, so that the refrigerator can be properly secured to the cutout wall. This is particularly important if a protruding cutout is specially created and configured with a face frame. Furniture returns for any face frame must be a minimum of 4" (102 mm) deep.

VERTICAL SECTION, SIDE VIEW:



FREEDOM® COLLECTION INSTALLATION DIMENSIONS

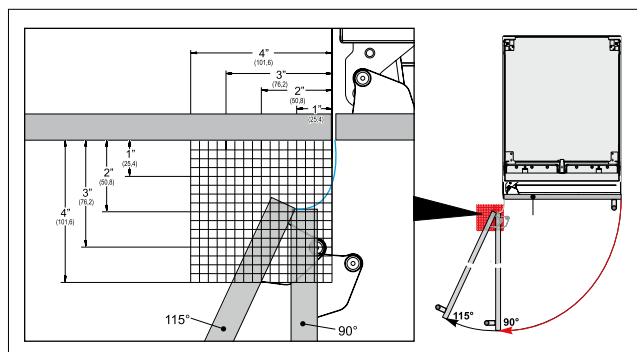
DOOR SWIVEL RANGE

It is absolutely essential to ensure that the appliance is installed in such a way that the doors (including handles) and adjacent cabinets, countertops, pilasters, walls or other kitchen elements do not interfere with one another when opened. The illustrations below depict the swivel range of the Freedom® Collection refrigerator doors including mounted door panels of both 3/4" (19 mm) and 1 1/2" (38 mm) thickness.

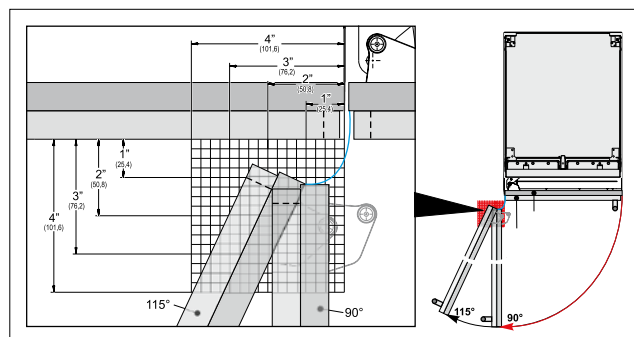
In the event of door interference the following solutions may be employed:

- Limit the refrigerator door opening angle to 90° with a door stop pin inserted into the hinge.
- Reduce the door panel thickness (if larger than 3/4" (19 mm)).
- Install a spacer between the appliance and the kitchen element that creates the interference.
- Rearrange the opposing kitchen element that creates the problem.
- Create a protruding cutout for the appliance.

DOOR SWIVEL RANGE – 3/4" (19 MM) FLUSH APPLIANCE DOOR PANEL

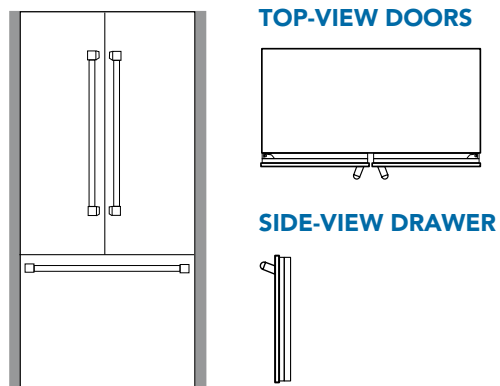


DOOR SWIVEL RANGE – 1 1/2" (38 MM) FLUSH APPLIANCE DOOR PANEL



HANDLE INSTALLATION AND DIMENSIONS

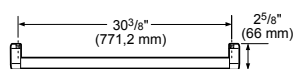
PROFESSIONAL HANDLE



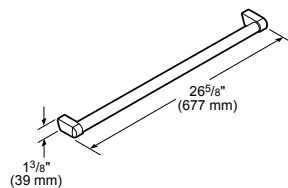
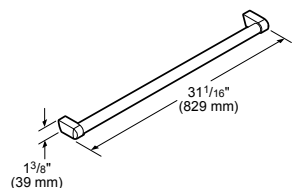
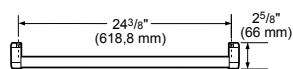
TOP-VIEW DOORS

SIDE-VIEW DRAWER

PR36HNDL10

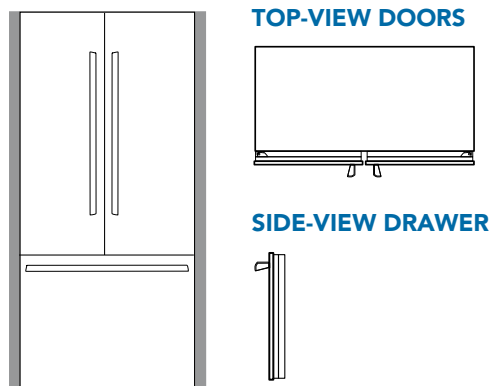


PR30HNDL10*



*For use with 30" bottom freezer T30IB800SP drawer only

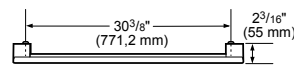
MASTERPIECE® HANDLE



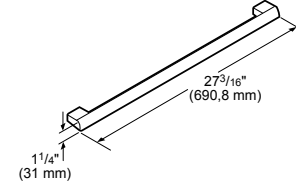
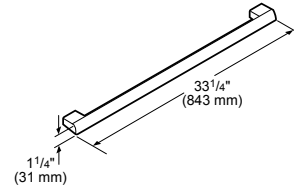
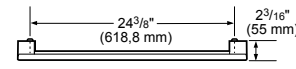
TOP-VIEW DOORS

SIDE-VIEW DRAWER

MS36HNDL10



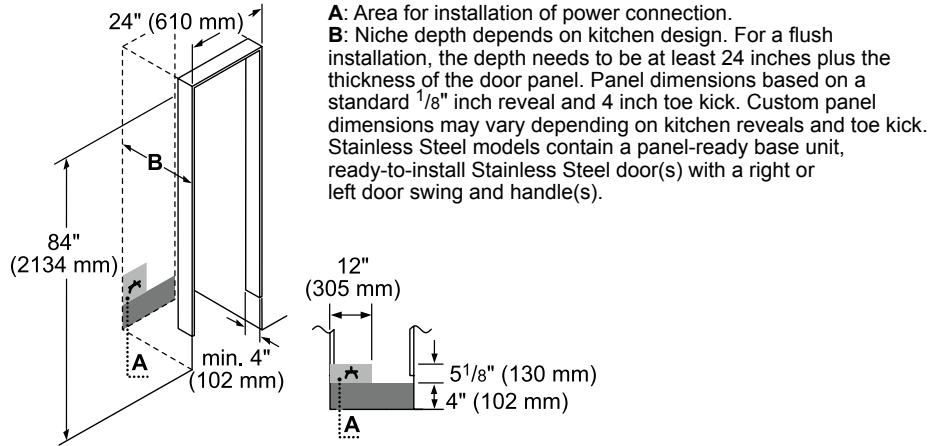
MS30HNDL10*



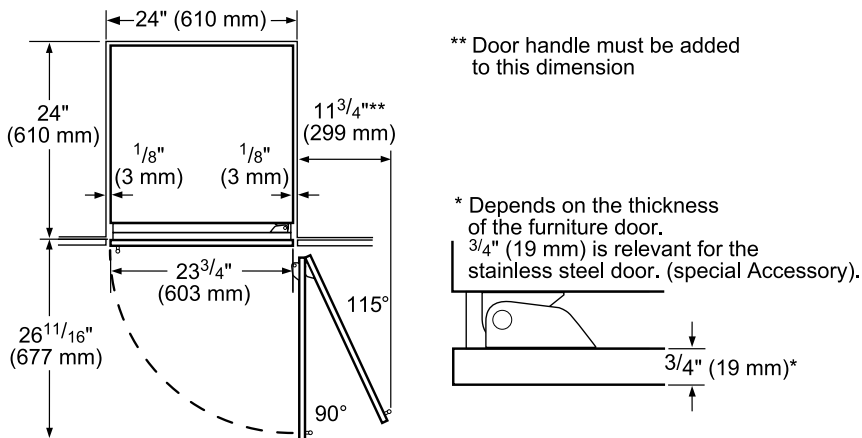
FREEDOM® COLLECTION INSTALLATION

24-INCH CUSTOM FRESH FOOD COLUMN

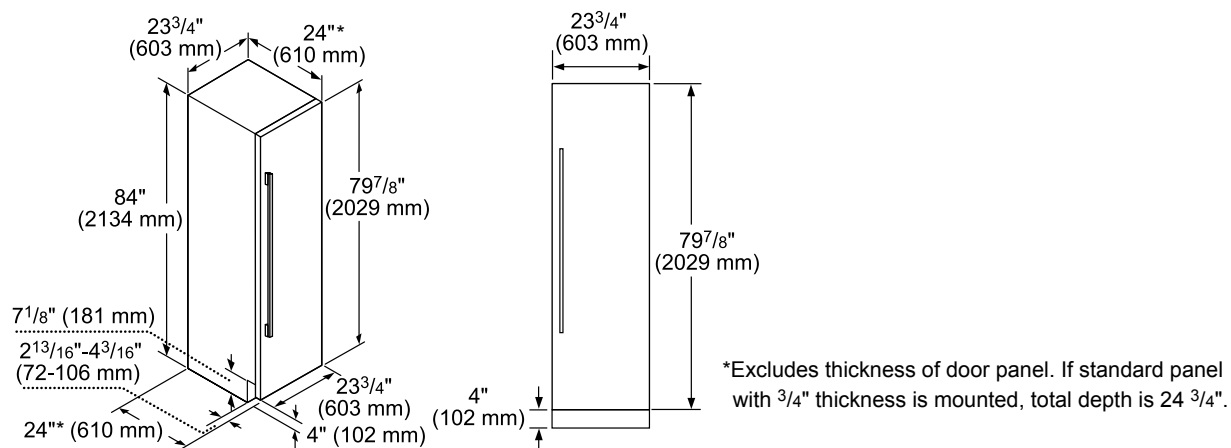
CUTOUT DIMENSIONS



TOP VIEW CLEARANCE

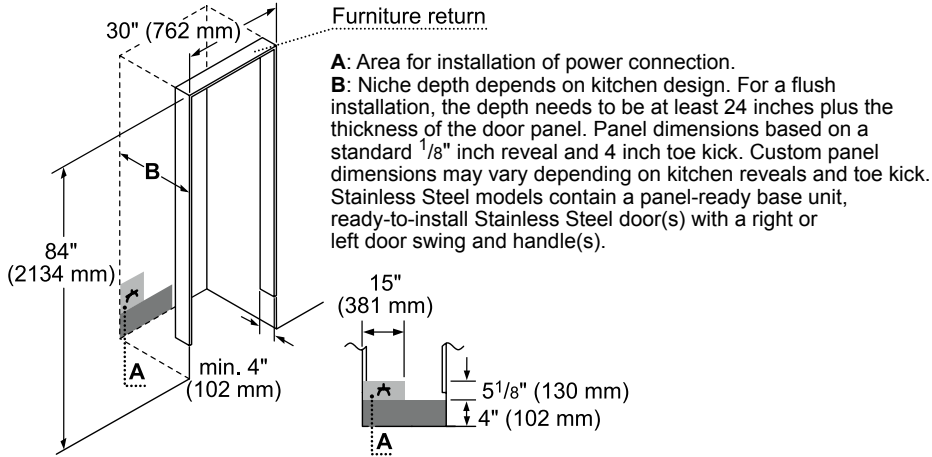


PANEL DIMENSIONS

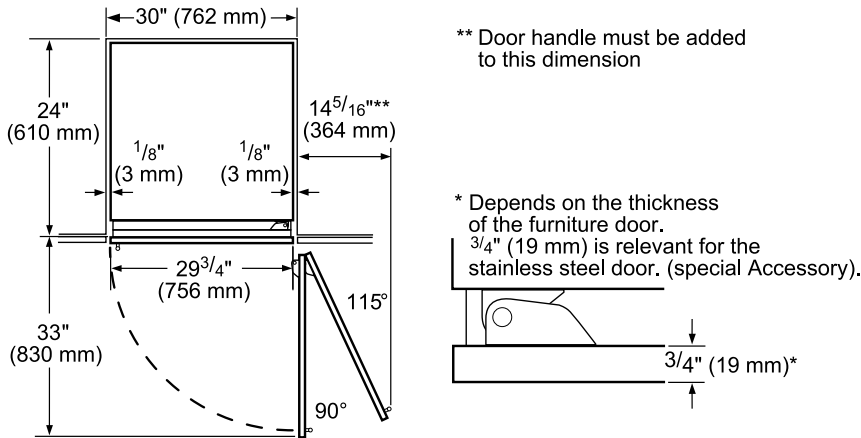


30-INCH CUSTOM FRESH FOOD COLUMN

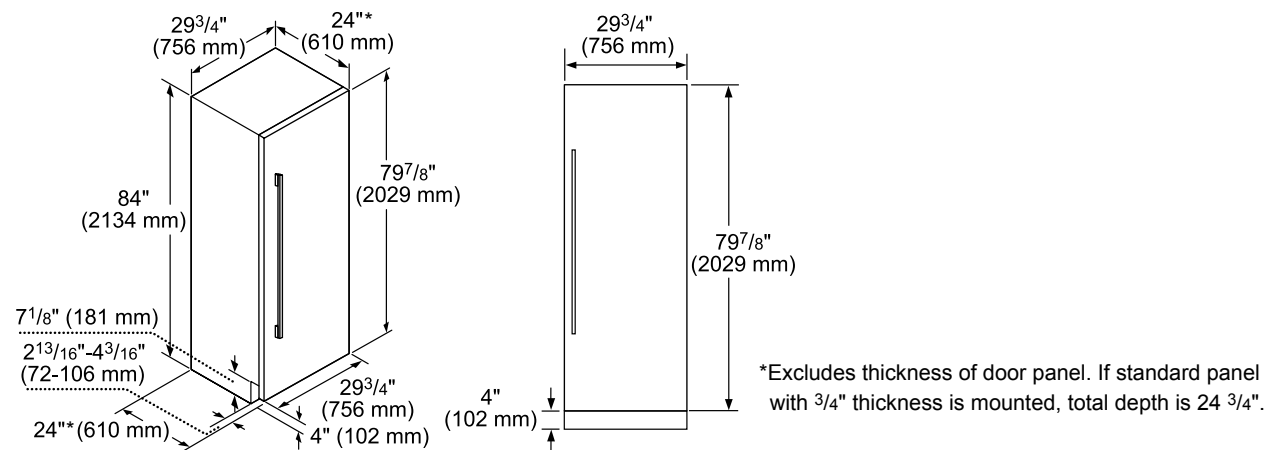
CUTOUT DIMENSIONS



TOP VIEW CLEARANCE



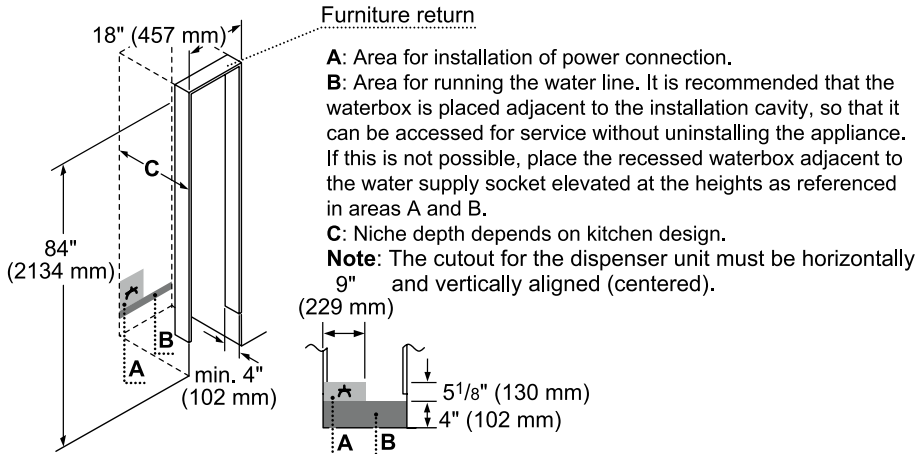
PANEL DIMENSIONS



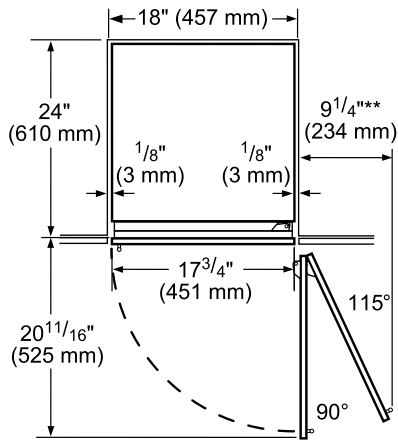
FREEDOM® COLLECTION INSTALLATION

18-INCH CUSTOM FREEZER COLUMN T18ID800RP / T18ID800LP

CUTOUT DIMENSIONS

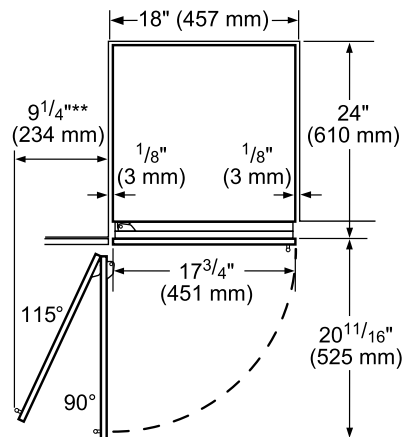
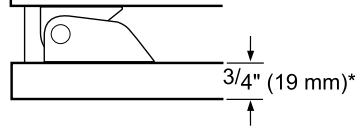


TOP VIEW CLEARANCE



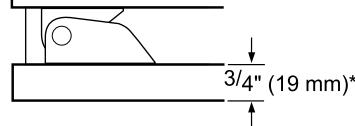
** Door handle must be added to this dimension

* Depends on the thickness of the furniture door.
 3/4" (19 mm) is relevant for the stainless steel door. (special Accessory).

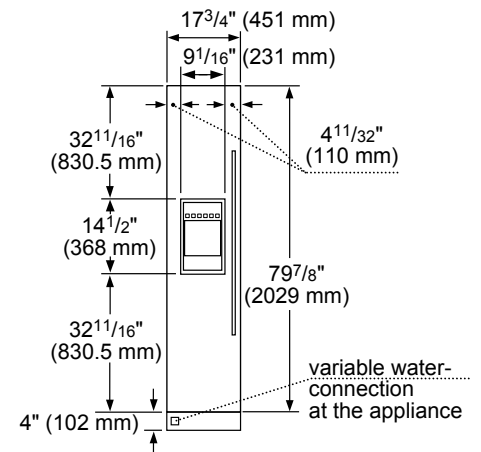
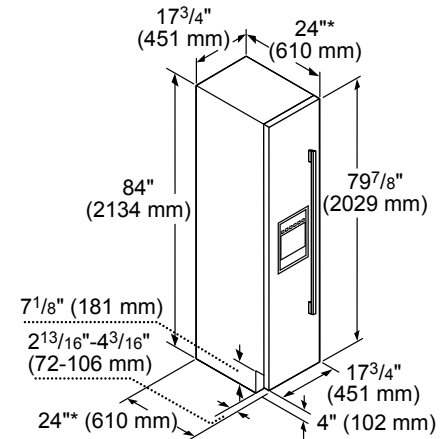


** Door handle must be added to this dimension

* Depends on the thickness of the furniture door.
 3/4" (19 mm) is relevant for the stainless steel door. (special Accessory).



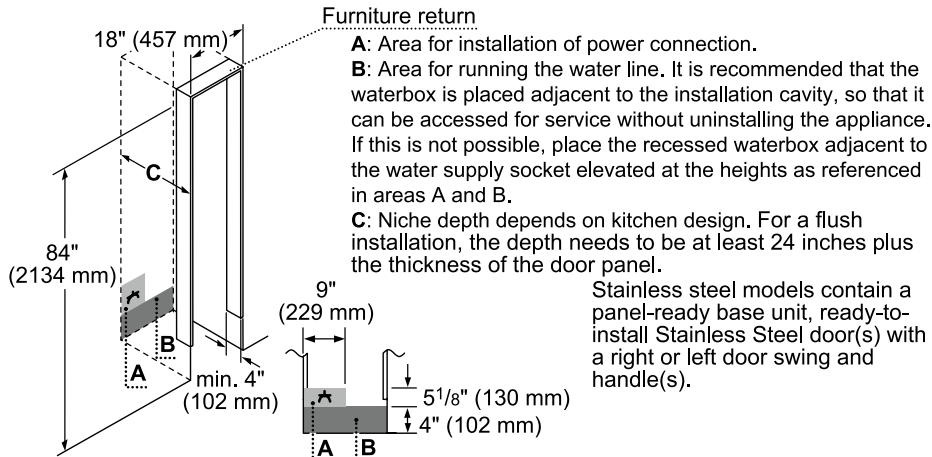
PANEL DIMENSIONS



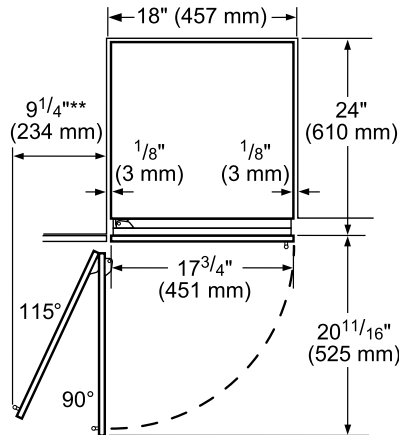
*Excludes thickness of door panel. If standard panel with 3/4" thickness is mounted, total depth is 24 3/4".

18-INCH CUSTOM FREEZER COLUMN T18IF800SP

CUTOUT DIMENSIONS

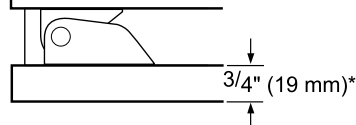


TOP VIEW CLEARANCE

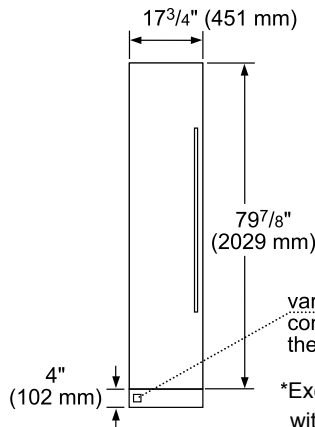
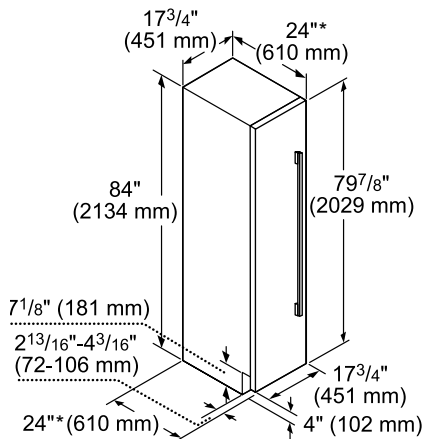


** Door handle must be added to this dimension

* Depends on the thickness of the furniture door.
³/₄" (19 mm) is relevant for the stainless steel door. (special Accessory).



PANEL DIMENSIONS



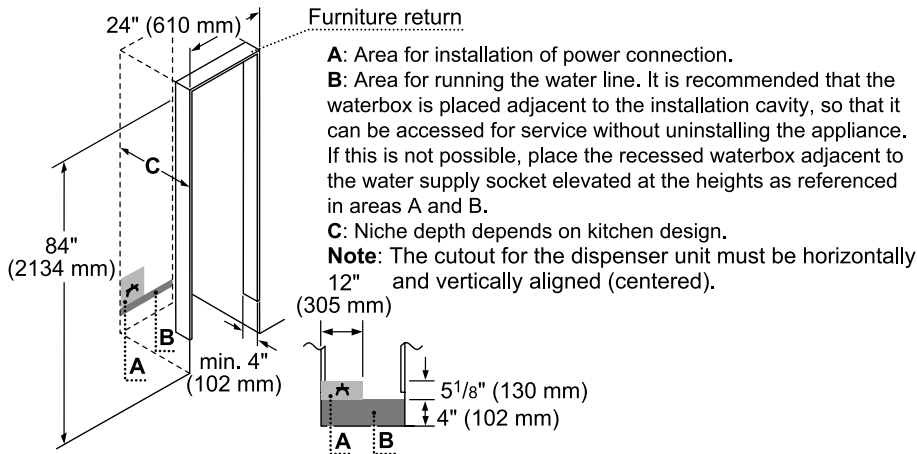
variable water-connection at the appliance

*Excludes thickness of door panel. If standard panel with ³/₄" thickness is mounted, total depth is 24 ³/₄".

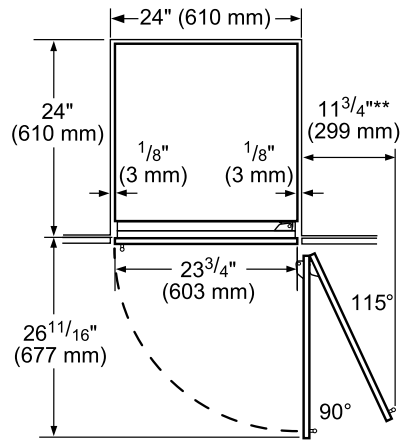
FREEDOM® COLLECTION INSTALLATION

24-INCH CUSTOM FREEZER COLUMN T24ID800RP / T24ID800LP

CUTOUT DIMENSIONS

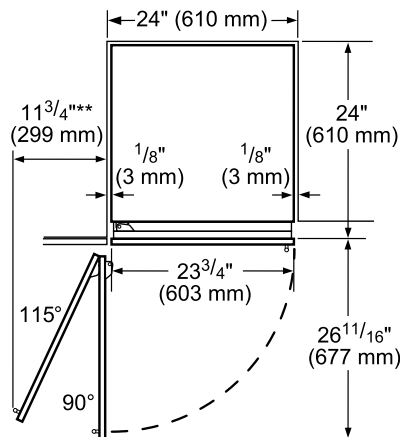
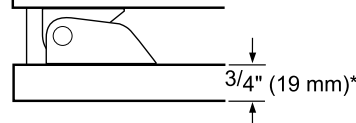


TOP VIEW CLEARANCE



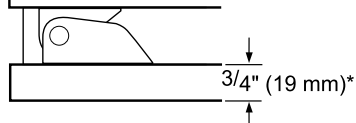
** Door handle must be added to this dimension

* Depends on the thickness of the furniture door.
 3/4" (19 mm) is relevant for the stainless steel door. (special Accessory).

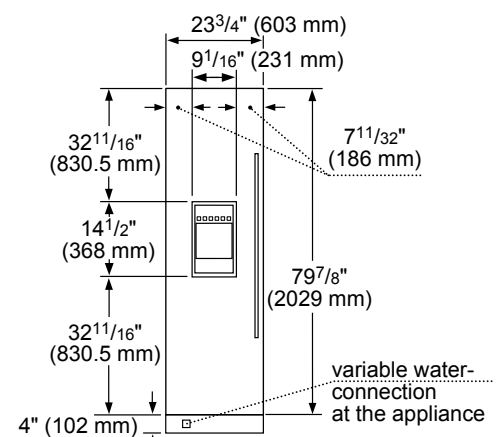
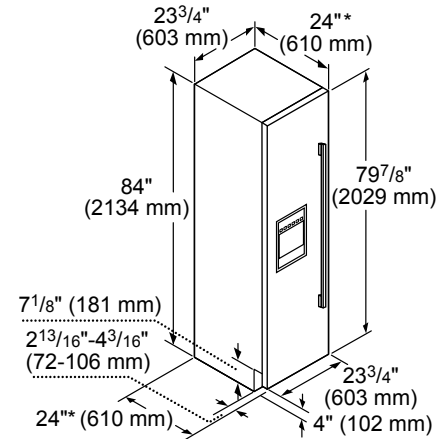


** Door handle must be added to this dimension

* Depends on the thickness of the furniture door.
 3/4" (19 mm) is relevant for the stainless steel door. (special Accessory).



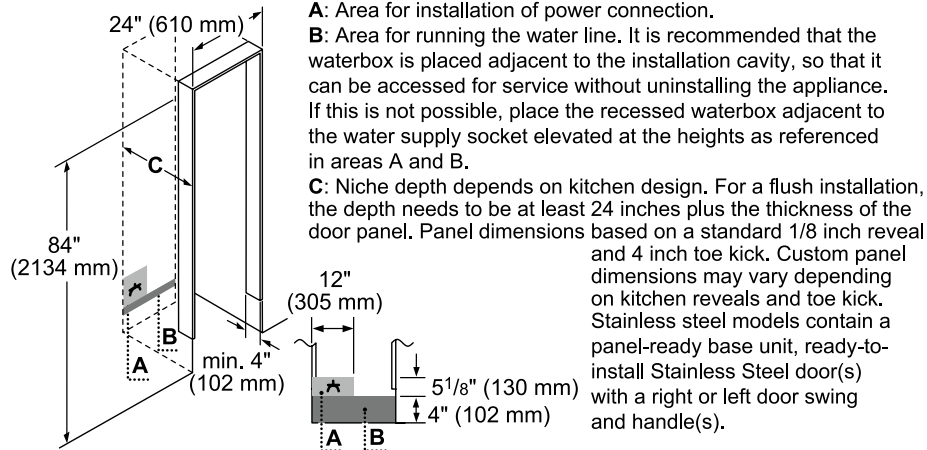
PANEL DIMENSIONS



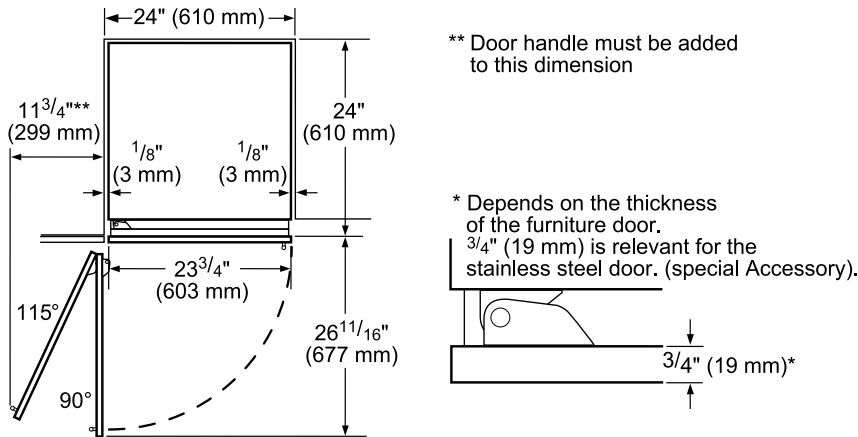
*Excludes thickness of door panel. If standard panel with 3/4" thickness is mounted, total depth is 24 3/4".

24-INCH CUSTOM FREEZER COLUMN T24IF800SP

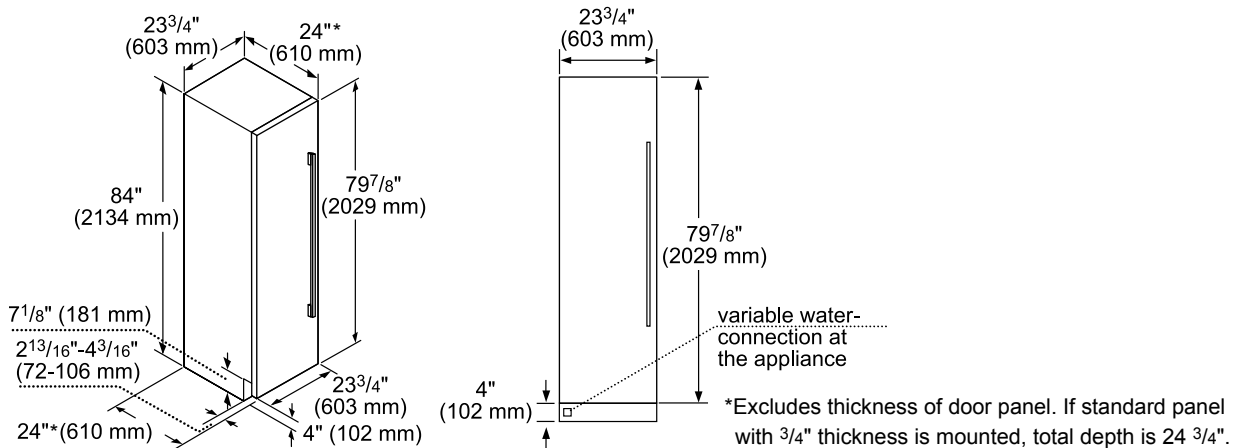
CUTOUT DIMENSIONS



TOP VIEW CLEARANCE



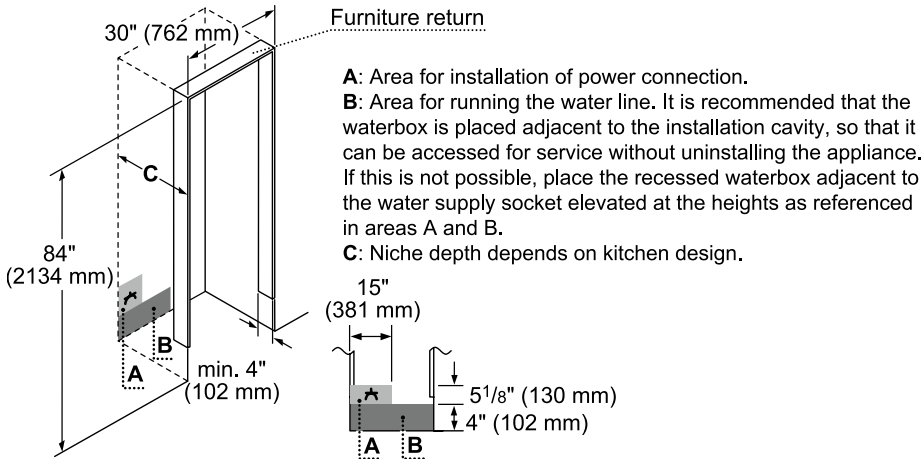
PANEL DIMENSIONS



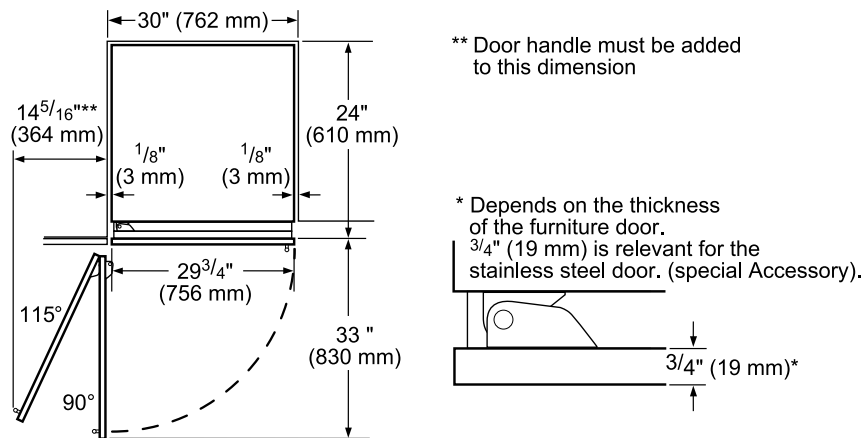
FREEDOM® COLLECTION INSTALLATION

30-INCH CUSTOM FREEZER COLUMN T30IF800SP

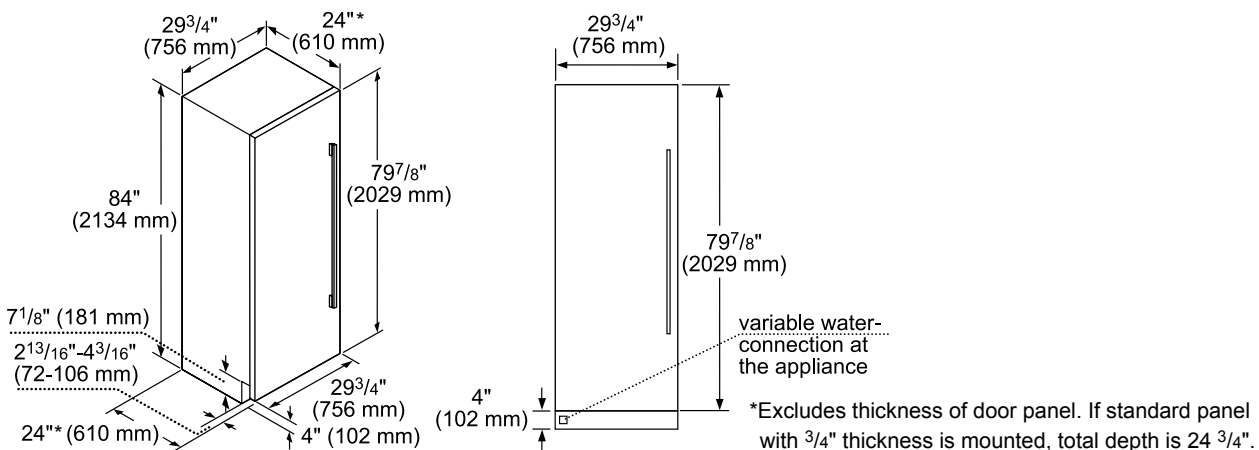
CUTOUT DIMENSIONS



TOP VIEW CLEARANCE

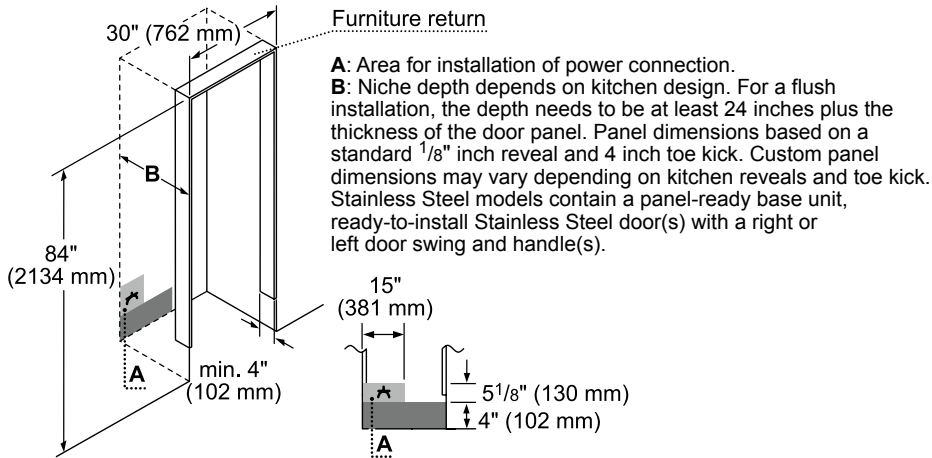


PANEL DIMENSIONS

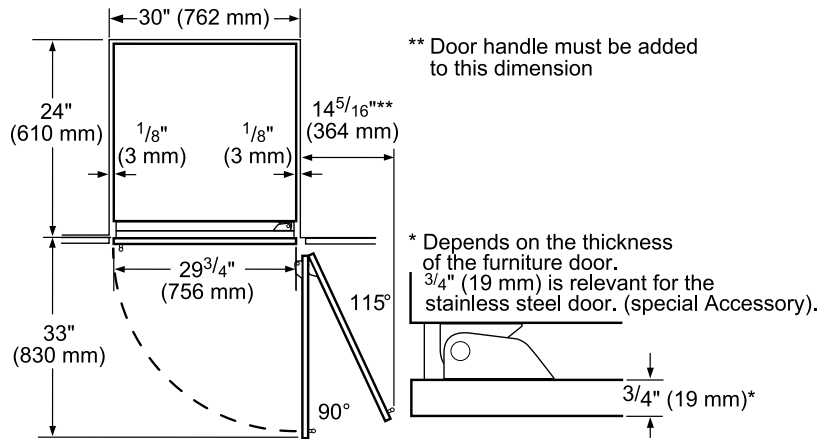


30-INCH CUSTOM 2-DOOR BOTTOM FREEZER T30IB800SP

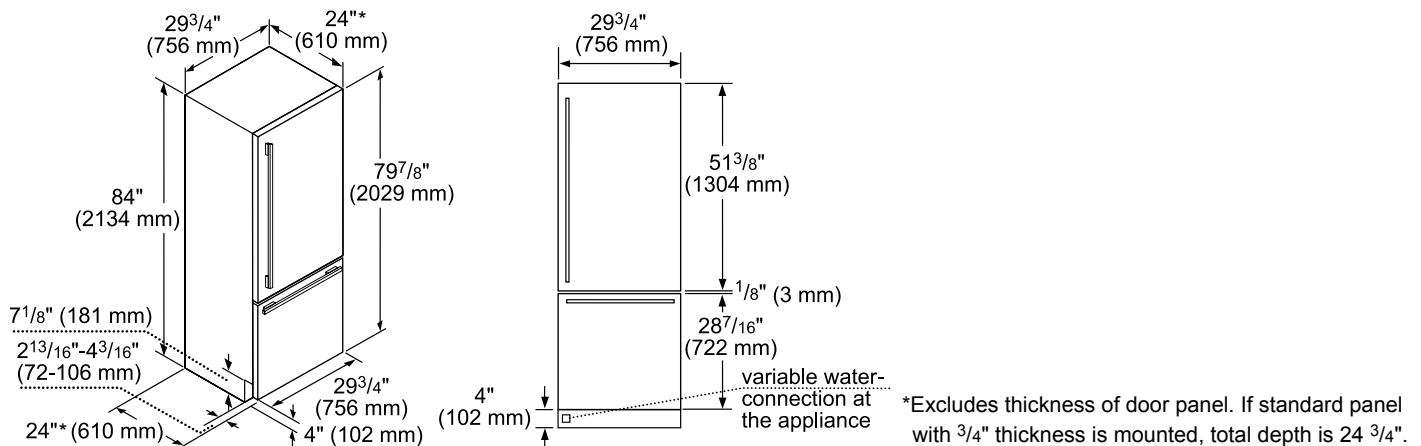
CUTOUT DIMENSIONS



TOP VIEW CLEARANCE



PANEL DIMENSIONS

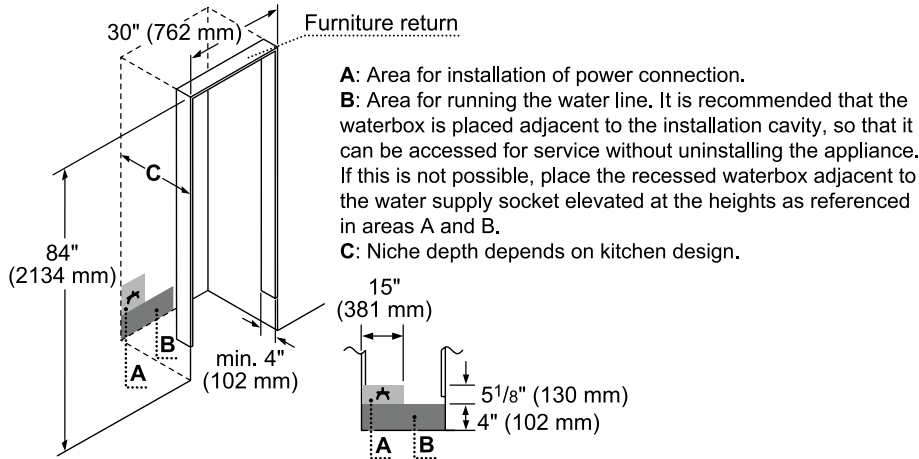


FREEDOM® COLLECTION

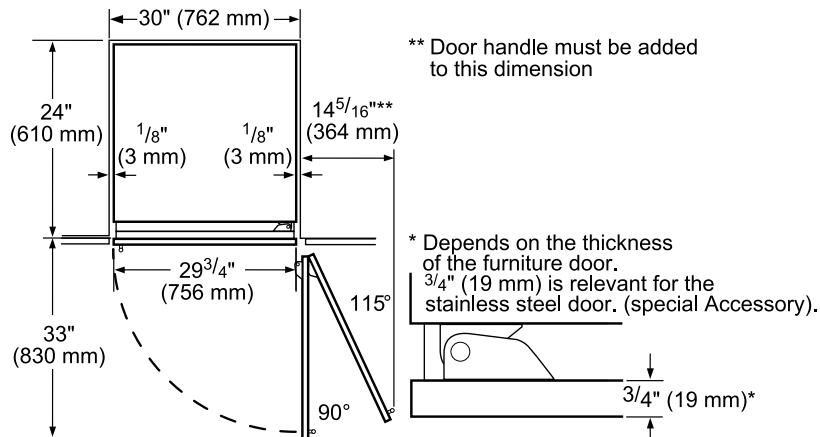
INSTALLATION

30-INCH PRE-ASSEMBLED 2-DOOR BOTTOM FREEZER

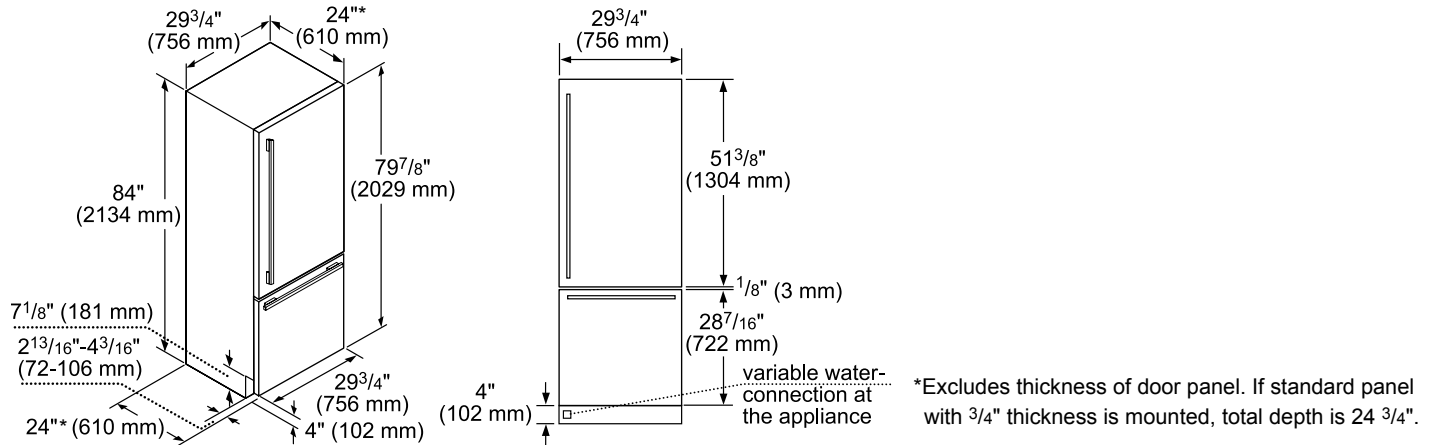
CUTOUT DIMENSIONS



TOP VIEW CLEARANCE

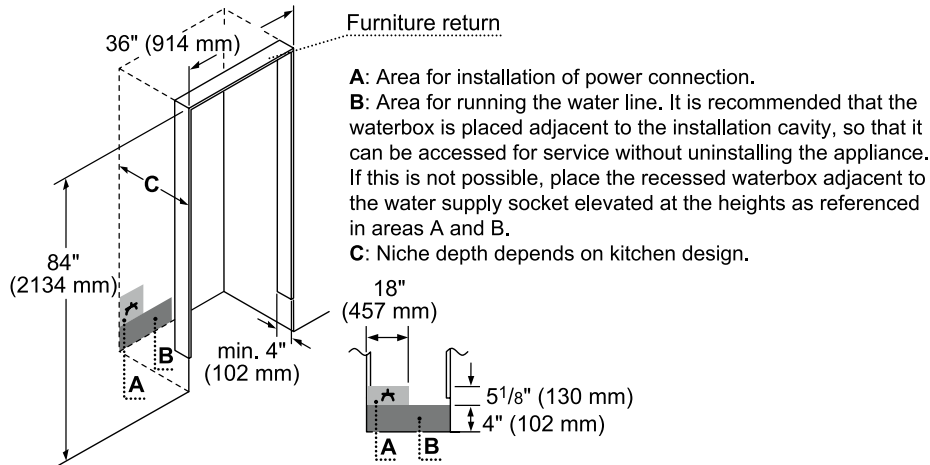


PANEL DIMENSIONS

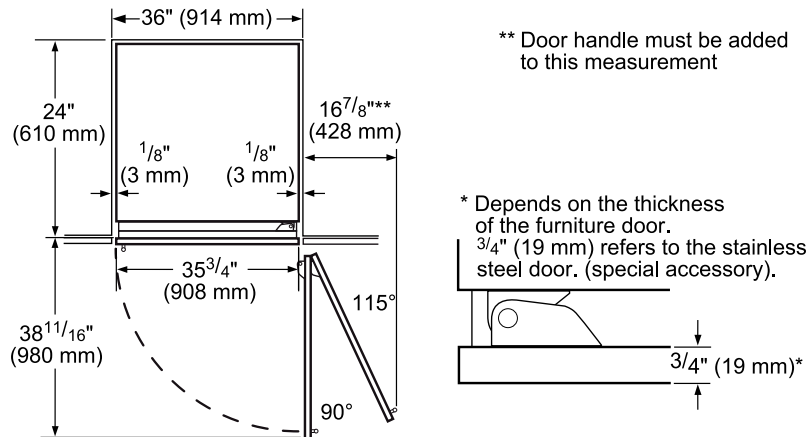


36-INCH CUSTOM 2-DOOR BOTTOM FREEZER

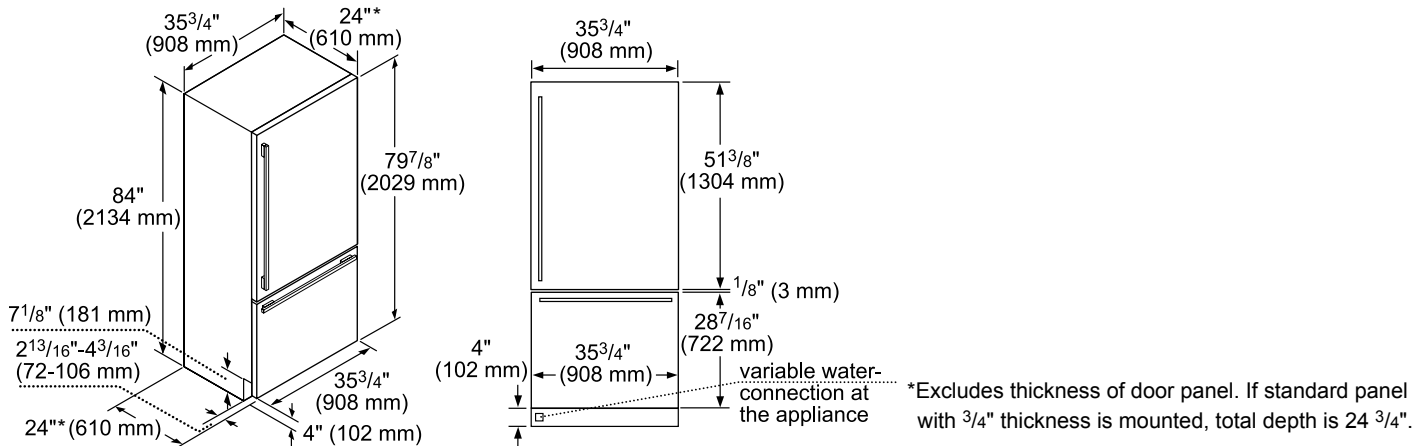
CUTOUT DIMENSIONS



TOP VIEW CLEARANCE



PANEL DIMENSIONS

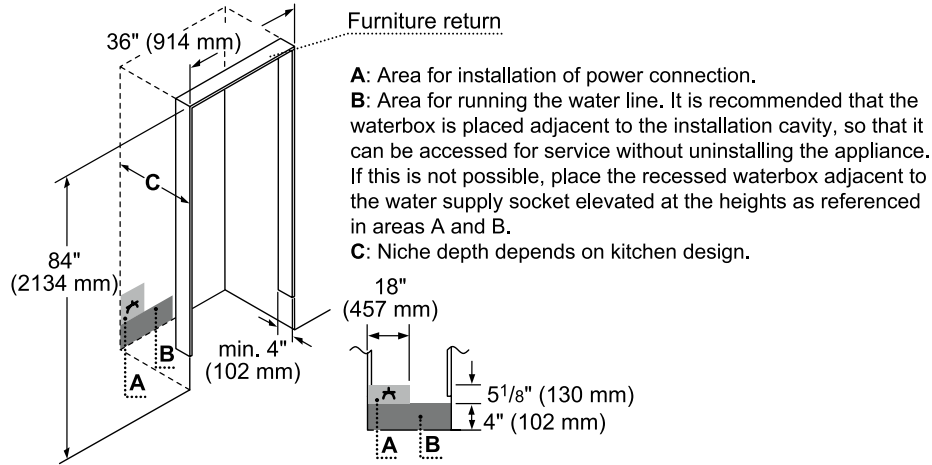


FREEDOM® COLLECTION

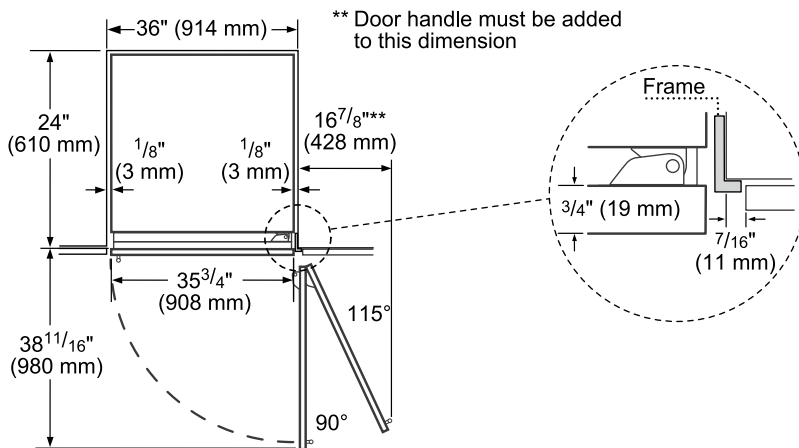
INSTALLATION

36-INCH PRE-ASSEMBLED 2-DOOR BOTTOM FREEZER

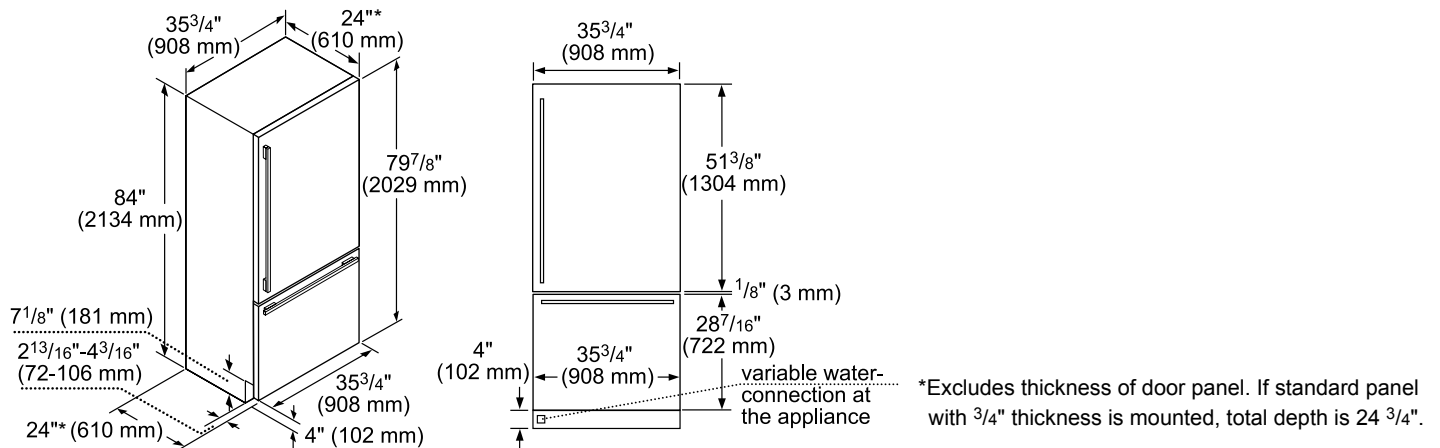
CUTOUT DIMENSIONS



TOP VIEW CLEARANCE

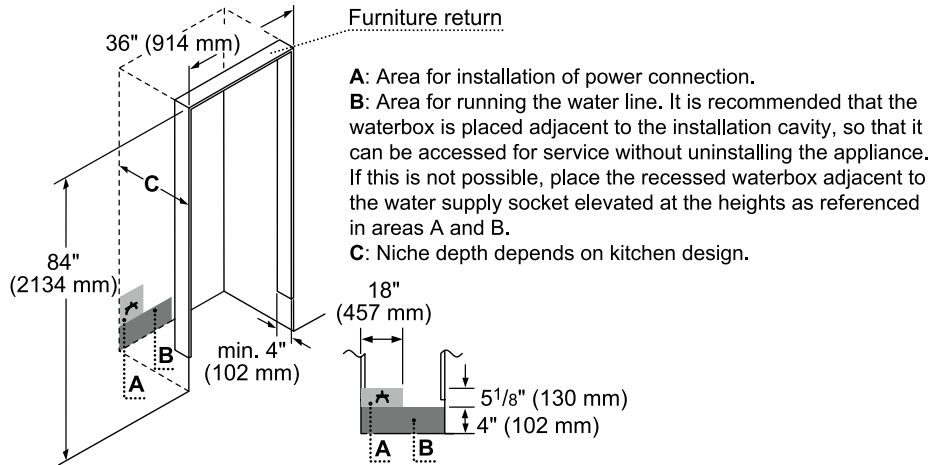


PANEL DIMENSIONS

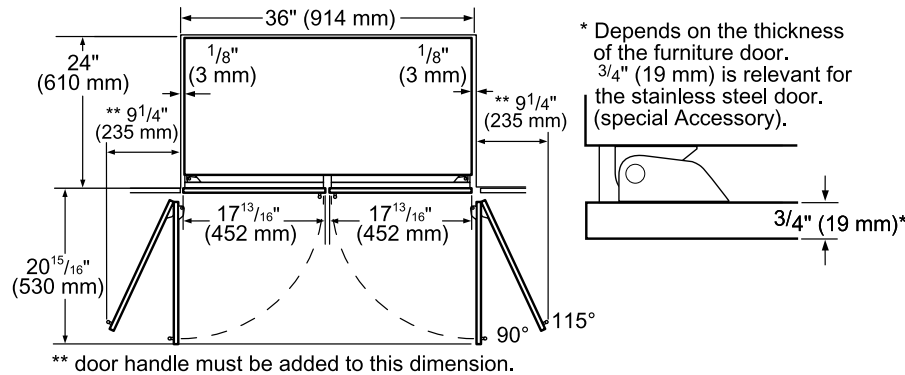


36-INCH CUSTOM FRENCH DOOR BOTTOM FREEZER

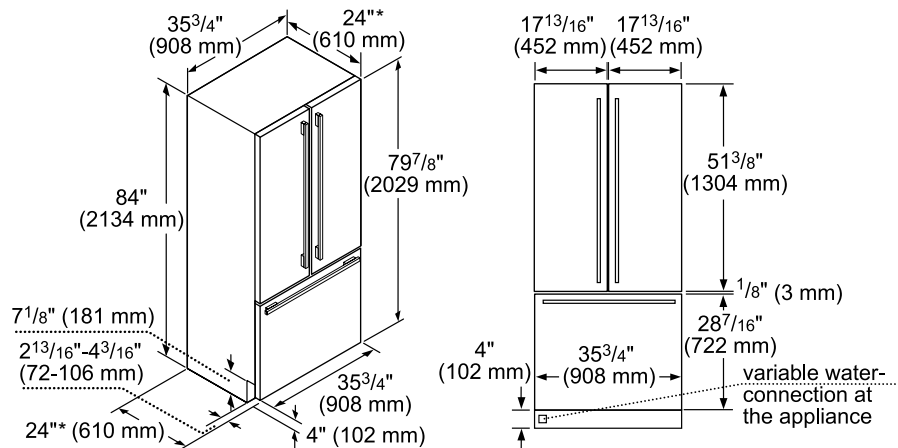
CUTOUT DIMENSIONS



TOP VIEW CLEARANCE



PANEL DIMENSIONS

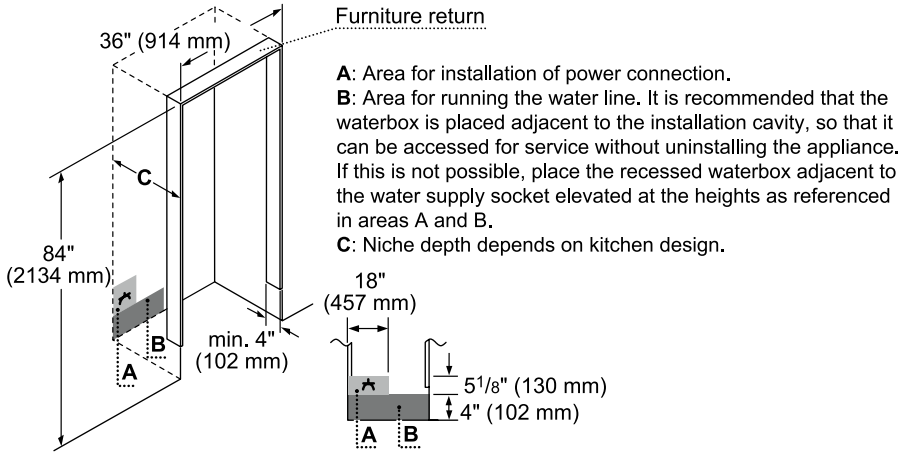


*Excludes thickness of door panel. If standard panel with 3/4" thickness is mounted, total depth is 24 3/4".

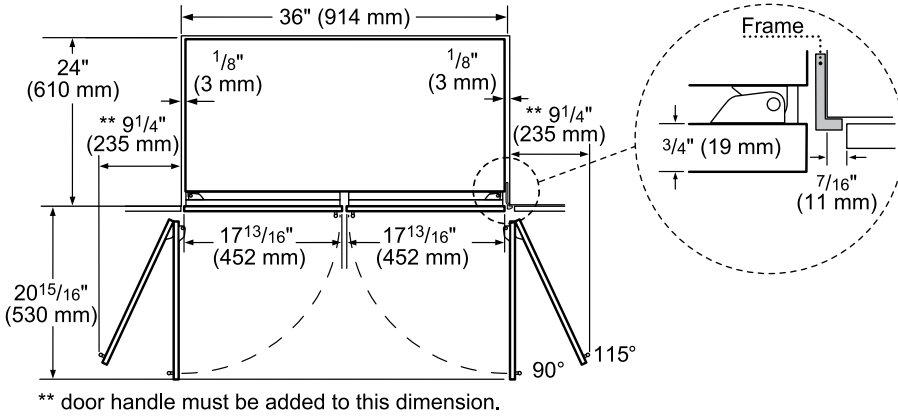
FREEDOM® COLLECTION INSTALLATION

36-INCH PRE-ASSEMBLED FRENCH DOOR BOTTOM FREEZER

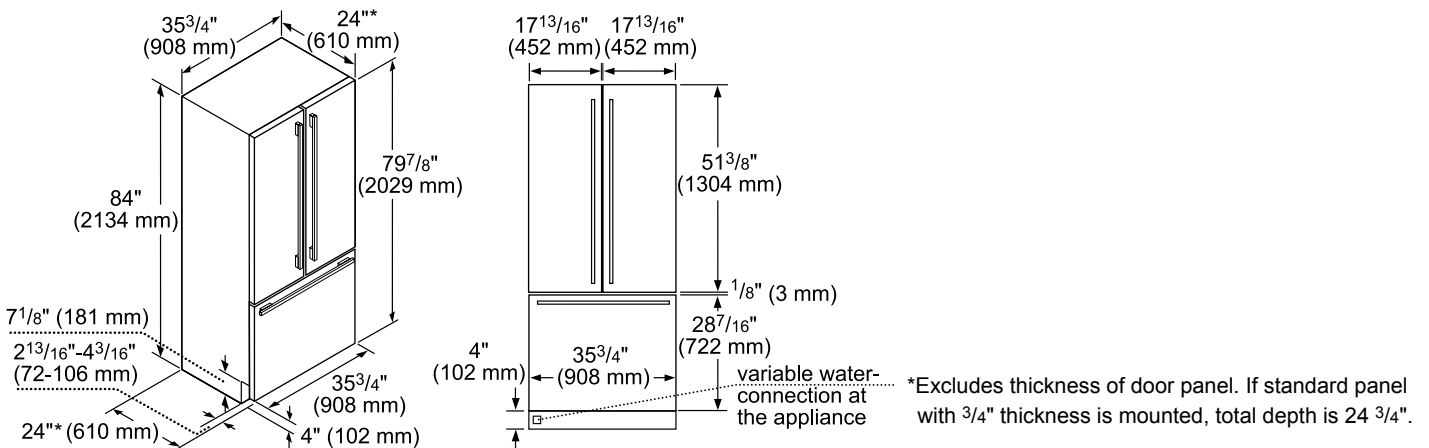
CUTOUT DIMENSIONS



TOP VIEW CLEARANCE

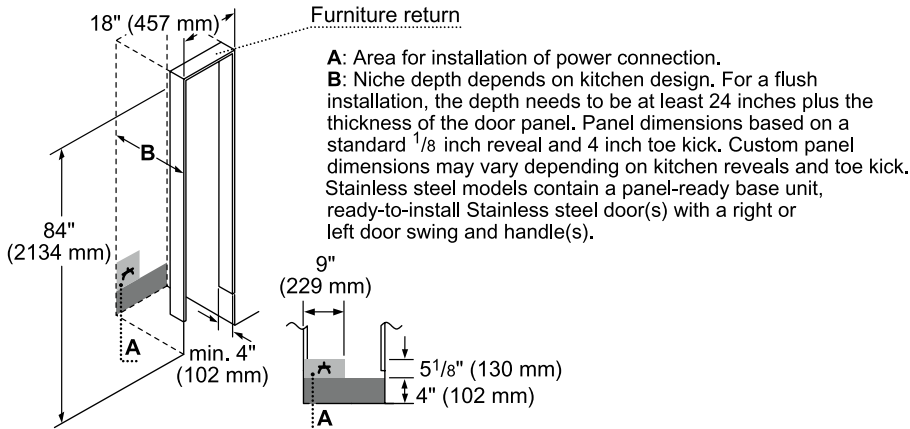


PANEL DIMENSIONS

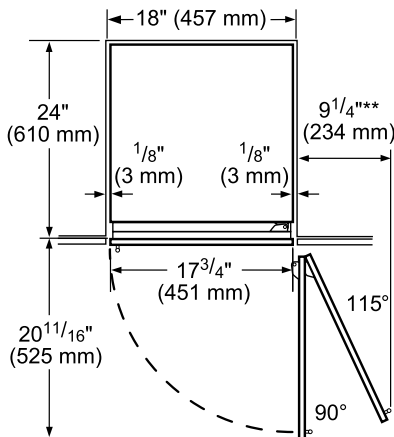


18-INCH CUSTOM WINE PRESERVATION COLUMN

CUTOUT DIMENSIONS

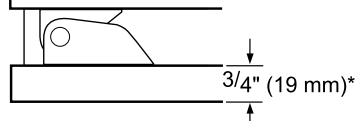


TOP VIEW CLEARANCE

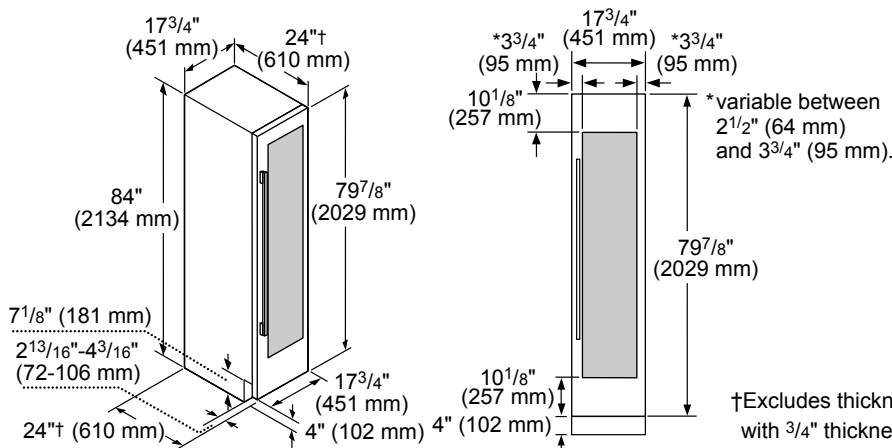


** Door handle must be added to this dimension

* Depends on the thickness of the furniture door. $\frac{3}{4}$ " (19 mm) is relevant for the stainless steel door. (special Accessory).



PANEL DIMENSIONS

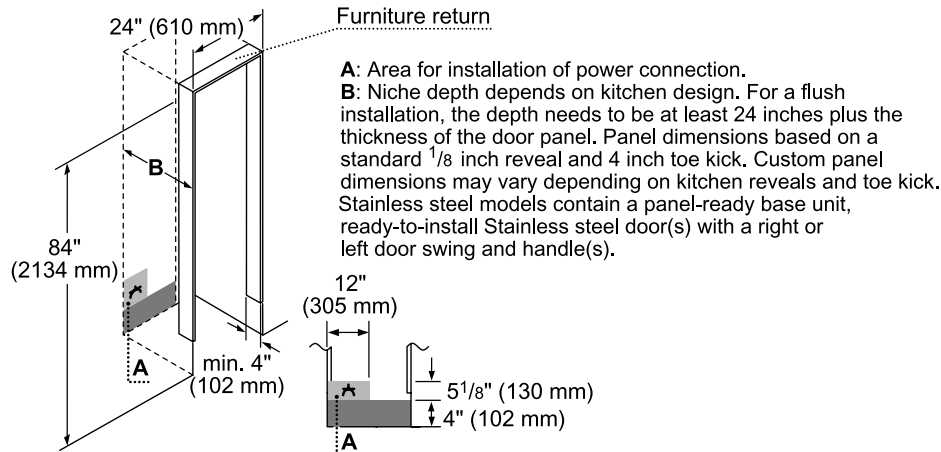


FREEDOM® COLLECTION

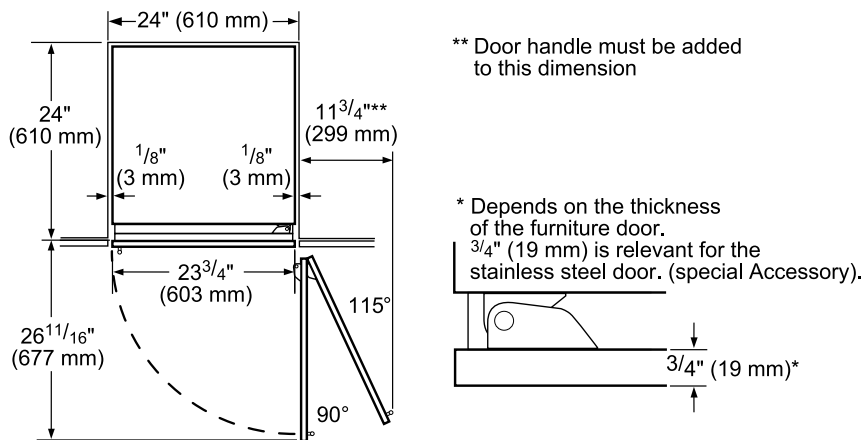
INSTALLATION

24-INCH CUSTOM WINE PRESERVATION COLUMN

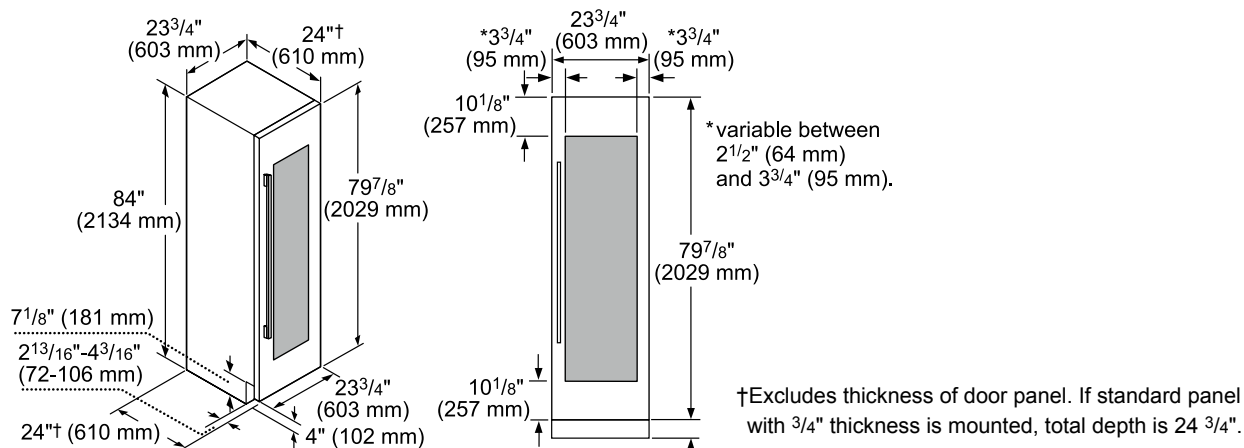
CUTOUT DIMENSIONS



TOP VIEW CLEARANCE



PANEL DIMENSIONS











MODELS SHOWN: T24IW800SP 24-INCH WINE PRESERVATION COLUMNS WITH TFL24IW800 FLAT STAINLESS STEEL PANELS AND PROFESSIONAL HANDLES

EXPERIENCE THERMADOR®

Thermador is committed to giving you an enjoyable, creative and rewarding cooking experience. Whether you would like to research our products, watch a video of our chef searing the perfect scallop, or have questions on the use and care of your product, simply browse our online resource library at thermador.com.



CONNECT WITH US

-  thermador.com/blog
-  pinterest.com/thermador
-  instagram.com/thermadorhome
-  facebook.com
-  youtube.com/thermadorhome
-  twitter.com/thermador

VISIT THE ABOVE SITES TO SHARE PHOTOS OF YOUR NEW KITCHEN AND CREATIVE DISHES.

TAKE US WITH YOU

Visit the App Store™ or Google Play™ to download our Innovations app, including the Thermador Kitchen Ideas & Lookbook and the Thermador Kitchen Design and Planning Guide.



CUSTOMER SERVICE

For dedicated customer service on any Thermador product, please call: 1-800-735-4328 or contact us at thermador.com

PRODUCT WARRANTY

PROFESSIONAL RANGES

Limited warranty, entire appliance, parts and labor (2 year)

PROFESSIONAL RANGETOPS

Limited warranty, entire appliance, parts and labor (2 year)

BUILT-IN OVENS

Limited warranty parts and labor (2 year)

INDUCTION COOKTOPS

Limited warranty, entire appliance, parts and labor (2 year)

Limited warranty for glass ceramic surface/electronic elements and switches; parts only (3rd to 5th year)

GAS COOKTOPS

Limited warranty, entire appliance, parts and labor (2 year)

ELECTRIC COOKTOPS

Limited warranty, entire appliance, parts and labor (2 year)

Limited warranty for glass ceramic surface/electronic elements and switches; parts only (3rd to 5th year)

VENTILATION

Limited warranty, entire appliance, parts and labor (2 year)

WARMING DRAWERS

Limited warranty, entire appliance, parts and labor (2 year)

BUILT-IN MICROWAVES

Limited warranty, entire appliance, parts and labor (2 year)

REFRIGERATION

Limited two-year warranty, entire appliance, parts and labor on any part of the refrigerator that fails because of a manufacturing defect

Limited warranty for sealed refrigeration system*; parts and labor (3rd to 6th year)

Limited warranty for sealed refrigeration system*; parts only (7th to 12th year)

*Sealed refrigeration system includes compressor, evaporator, condenser, dryer/strainer and connection tubing

DISHWASHERS

Full warranty, entire appliance, parts and labor (2 year)

Limited warranty for microprocessor or printed circuit board; parts only (3rd to 5th year)

Limited warranty for racks (does not include rack components); parts only (3rd to 5th year)

Limited warranty for rust-through on inner tub liner; parts only (Lifetime)

BUILT-IN COFFEE MACHINES

Limited warranty, entire appliance, parts and labor (2 year)



These warranties give you specific legal rights and you may have other rights that vary from state to state. Limited Warranty from Date of Purchase. For complete warranty details, refer to your Use & Care manual, or ask your dealer.

Specifications are for planning purposes only. Refer to installation instructions and consult your countertop supplier prior to making counter opening. Consult with a heating and ventilation engineer for your specific ventilation requirements. For the most detailed information, refer to installation instructions accompanying product or write to Thermador® indicating the model number. Specifications are correct at time of printing. Thermador reserves the right to change product specifications or design without notice. Some models are certified for use in Canada. Thermador is not responsible for products that are transported from the U.S. for use in Canada.

©2015 BSH Home Appliances Corporation.



Thermador★

1 800 735 4328

USA THERMADOR.COM
CANADA THERMADOR.CA

©2015 BSH HOME APPLIANCES CORPORATION. ALL RIGHTS RESERVED.
#13-THD-0250 MG 10/15