

Wine storage and temperature control cabinet
With two temperature zones
Fully integrated

RW 414-760

Width 18"

RW 464-760

Width 24"

RW 4.4-760

– **Fully integrated appliances.**
 Doors open to a 115-degree angle, so that the large drawers can be pulled out completely.

– **Two separate temperature zones,** both continuously variable from 41° to 64°F. For perfect storage conditions for red and white wines, or for separating long-term from short-term storage.

– **Fully extendable trays** in aluminum and beech. Optional special display trays to showcase valuable bottles and an aluminum tray for opened bottles or decanters.

Niche height 84".
 Capacity 70/101 bottles
 (based on standard bottles)
 Net Volume: 9.7/13.9 cu.ft.

Electronic temperature control with digital temperature display, Dynamic cool air distribution. Activated charcoal filter. Energy-saving vacation mode. Open-door and malfunction warning system.

Temperature adjustable from 40° to 65°F. Two separate temperature zones, both continuously variable. Ten sliding bottle trays in beech with aluminum profiles. Can also store magnum bottles.

Interior lighting, integrated in the ceiling and the temperature divider, can be switched on for the lower temperature zone even when the door is closed.

Optional accessories:

RA 035-030

Bottle cooler

RA 491-131 Bottle tray in beech

with aluminum profiles for RW 414.

RA 491-631 Bottle tray in beech

with aluminum profiles for RW 464.

RA 493-030 Special display trays

in aluminum (set of 3 for 3 bottles).

RA 492-130 Sliding aluminum tray

for RW 414.

RA 492-630 Sliding aluminum tray

for RW 464.

RA 421-111 Stainless steel door

frame with handle for RW 414, left-hinged.

RA 421-112 Stainless steel door

frame with handle for RW 414, right-hinged.

RA 421-131 Aluminum door

frame with handle for RW 414, left-hinged.

RA 421-132 Aluminum door

frame with handle for RW 414, right-hinged.

RA 421-611 Stainless steel

door frame with handle for RW 464, left-hinged.

RA 421-612 Stainless steel

door frame with handle for RW 464, right-hinged.

RA 421-631 Aluminum

door frame with handle for RW 464, left-hinged.

RA 421-632 Aluminum

door frame with handle for RW 464, right-hinged.

RA 461-112 Ventilation grill

Stainless steel for RW 414, right-hinged.

RA 461-113 Ventilation grill

Stainless steel for RW 414, left-hinged.

RA 461-612 Ventilation grill

Stainless steel for RW 464, right-hinged.

RA 461-613 Ventilation grill

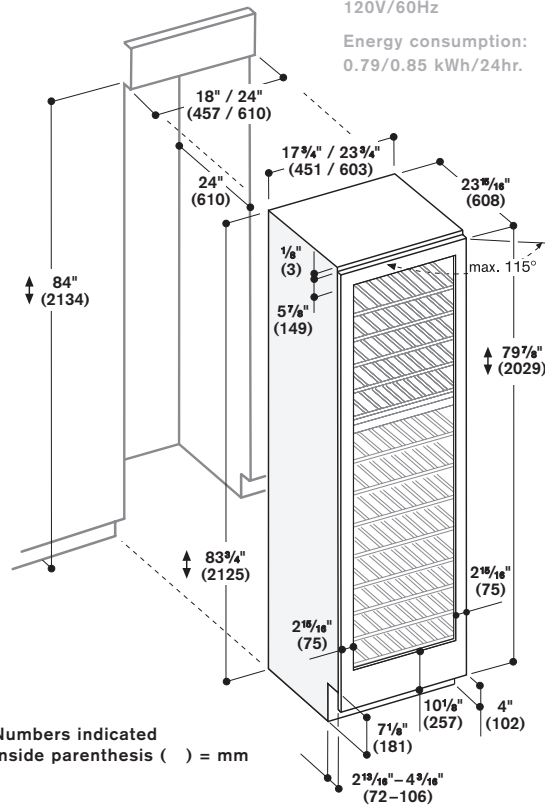
Stainless steel for RW 464, left-hinged.

Planning notes:

Flat hinge.
 Door hinges on the right, reversible if necessary. Plan the power outlet behind the appliance per installation instruction.

Rating:

Total connected load: 9.2/1.02 kW.
 Connecting cable length 78".
 Total Amps: 15 Amps
 120V/60Hz
 Energy consumption:
 0.79/0.85 kWh/24hr.



Numbers indicated inside parenthesis () = mm