

Viking Installation Guide



Viking Range Corporation

111 Front Street

Greenwood, Mississippi 38930 USA

(662) 455-1200

For product information

call 1-888-VIKING1 (845-4641)

or visit the Viking Web site at

vikingrange.com



Range/Rangetop Rear Trim Accessories
& Range Curb Base Fronts

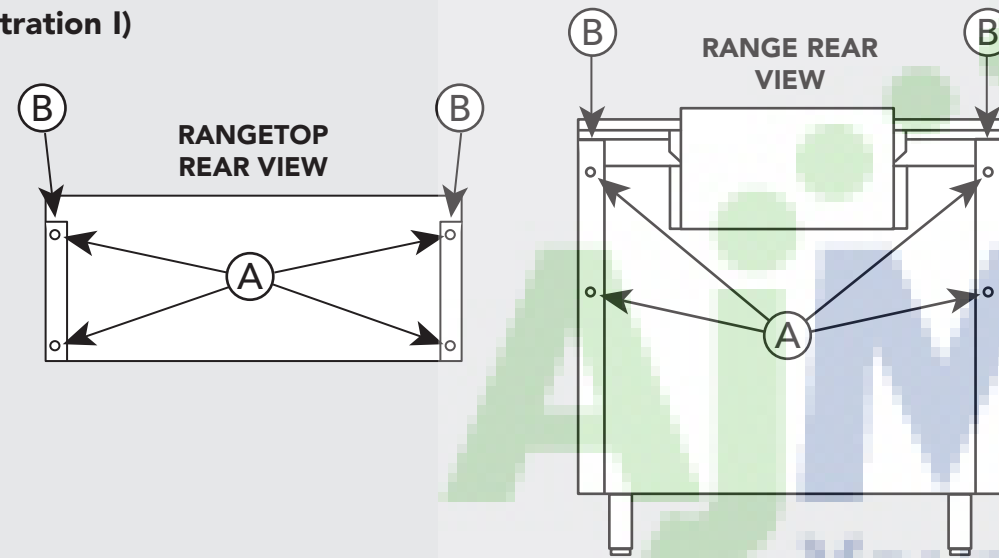
Rear Trim Accessories

All rear trim devices are installed in the same basic way.

ATTACHING REAR TRIM (Illustration I)

Grasp the trim on each end and carefully place in the channels (B) located at each rear corner of the product. Align the screw holes (A) at each end of the trim device with the holes (A) in each rear channel of the product. Secure with the 4 enclosed screws.

(Illustration I)



ATTACHING SHELF ON HIGH-SHELF (Illustration II)

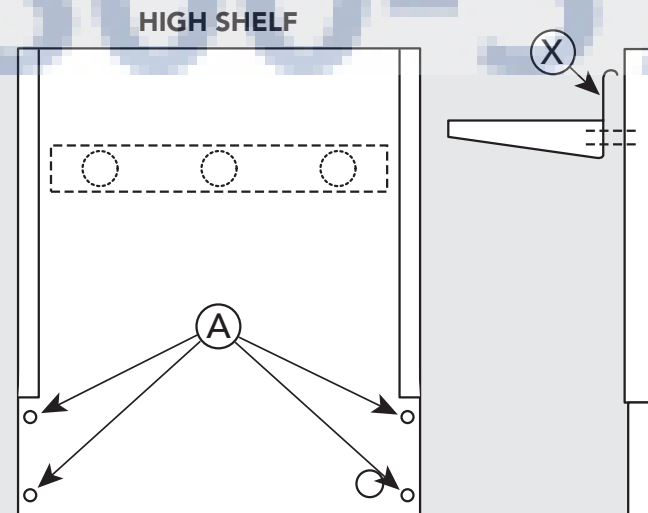
Place the top rolled edge (X) over the front lip of the high-shelf back trim and secure with the 4 enclosed screws, two at each end.

⚠ WARNING

To reduce the risk of fire or injury to persons, check to make sure all packaging has been removed from the outside and inside parts of the rear trim device before installing. MAKE SURE ALL CORRUGATED MATERIAL IS REMOVED FROM INSIDE THE HIGH SHELF.

NOTE: High shelf is already installed on Designer models.

(Illustration II)



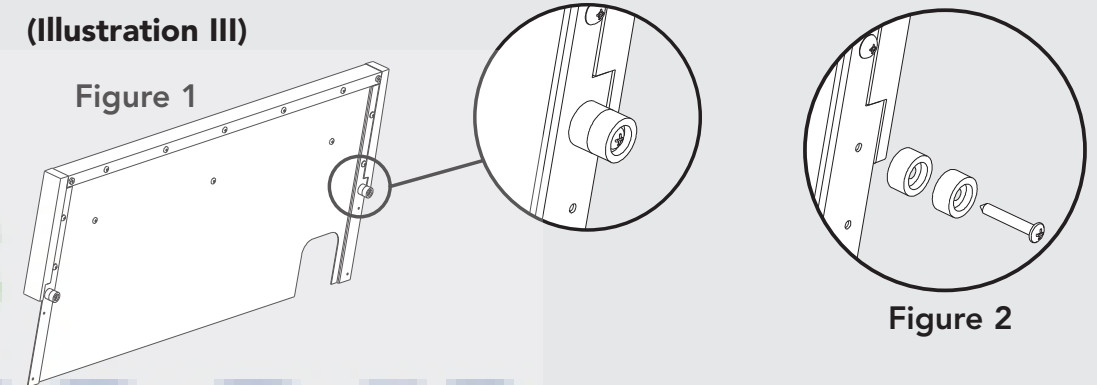
Rear Trim Accessories

ATTACHING BACKGUARD (Illustration III)

Backguards come equipped with Nylon Spacers (See Figure 1), which are needed to space the range off a combustible wall a prescribed safe distance.

Note: If the back wall is Non-Combustible, these spacers can be removed. (See Figure 2)

(Illustration III)



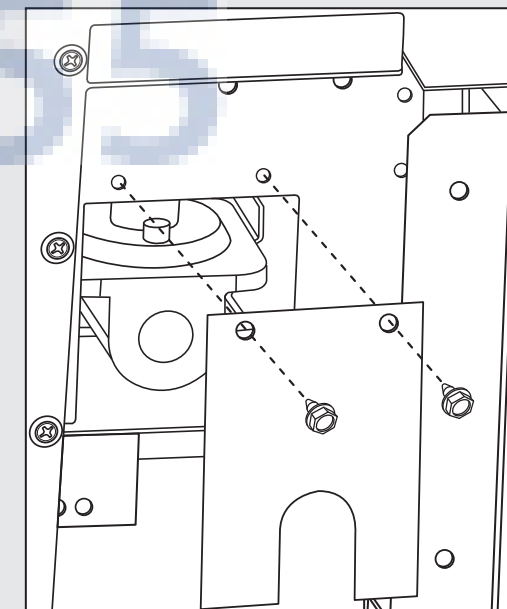
These spacers can also be removed if used with any of the models listed below:

- 30", 36" and 48" VGCC
- VDSC530
- VDSC536
- VGRT530
- VGRT536

*If you have one of these models, the spacers are not required, even if with a combustible wall.

On VGSC530, VGSC536 and VGSC548 models there is a regulator cover supplied with the backguard that must be attached to the oven, with the supplied screws, before the backguard is attached. (See Figure 3)

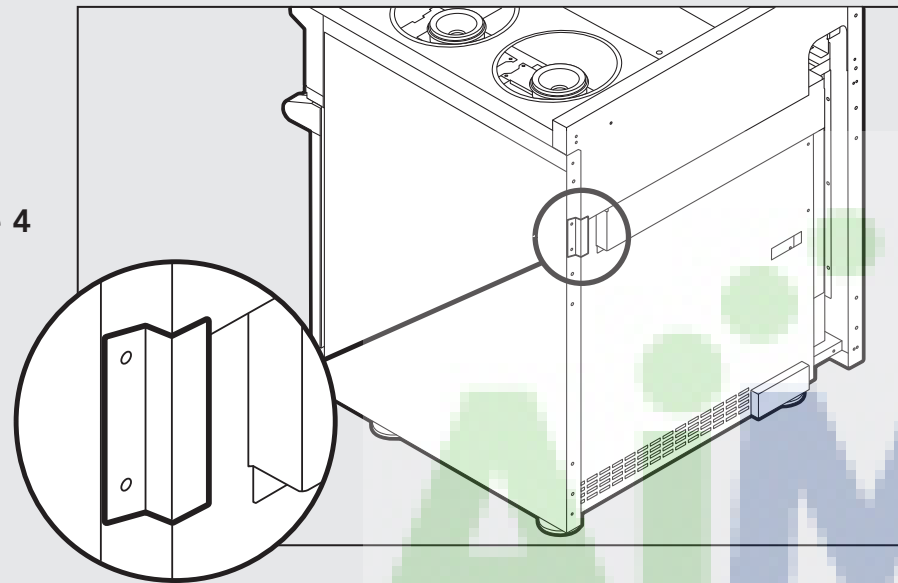
Figure 3



Rear Trim Accessories

Custom VGIC ranges and 60" VGCC ranges require that two 1" standoff spacers be attached to the back of the range when using a range with a backguard against a combustible surface. (See **Figure 4**)

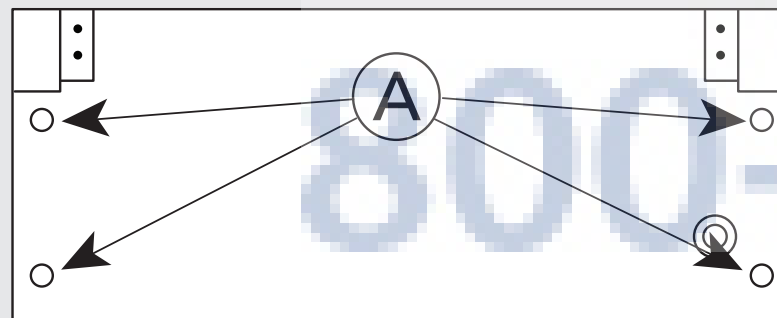
Figure 4



Once you determine whether or not your product needs the provided spacers, the backguard is ready to be attached.

Simply slide the backguard down onto the rear of the unit and attach using the (4) screws provided. (See **Figure 5**)

Figure 5



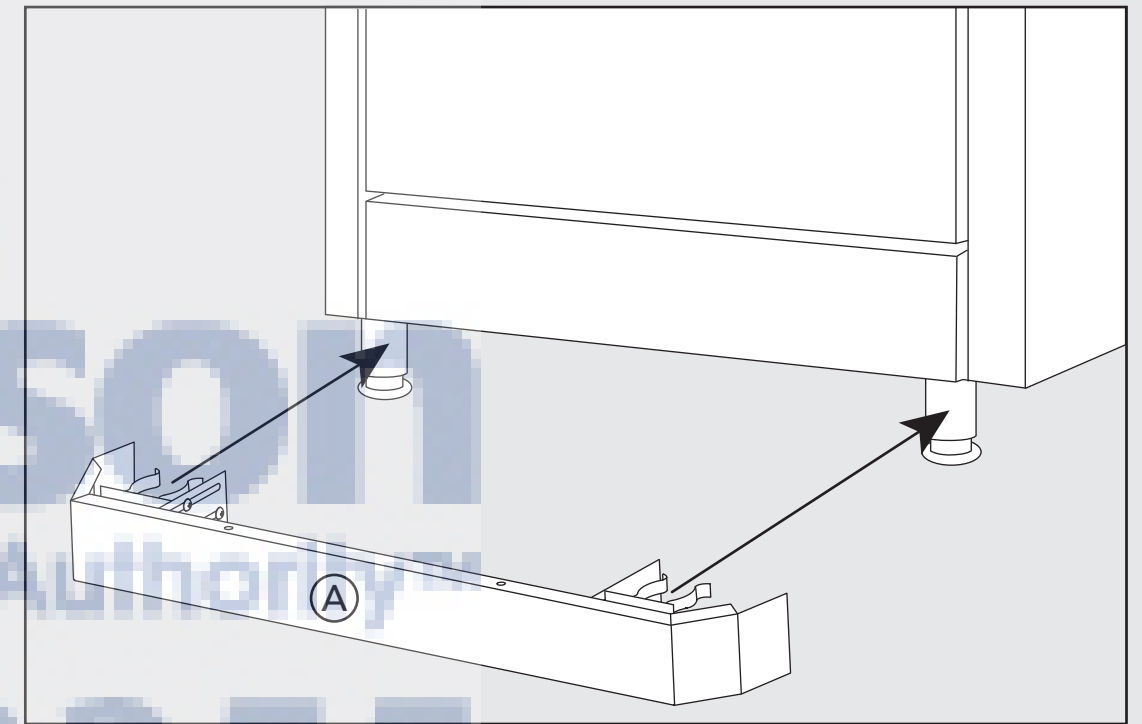
IMPORTANT: USE OF ISLAND TRIM WITH AND WITHOUT 6" (15.2 CM) CLEARANCE.

Normal installation for island trim on either a range or rangetop is in an island/peninsula or where there is a minimum clearance of 6" (15.2 cm) to any type of wall at the rear of the unit. However, agency authorization has been received for island trim installations where a range or rangetop can be installed at zero clearance to the rear wall as long as the wall is non-combustible. The responsibility for ensuring that the rear wall is non-combustible and heat resistant lies with the individual owner and/or end user. Only in those cases where the island trim is installed with 6" (15.2 cm) of minimum clearance to a rear wall, or when a truly non-combustible material is used, will the warranty apply. In no case will Viking Range Corporation accept responsibility for any claims which may result from heat damage against a rear wall, including cosmetic damage. It is the total responsibility of the owner/end user to ensure that the material utilized in such applications is not only non-combustible, but is also truly heat-resistant.

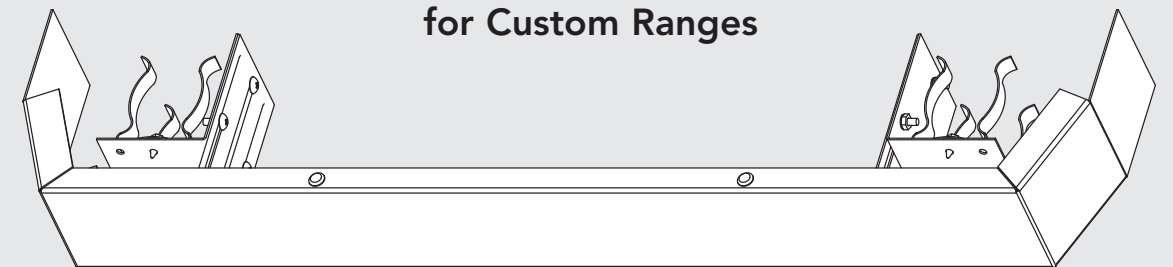
Curb Bases

STANDARD CURB BASE FRONT

1. The standard curb base front (A) is completely assembled.
2. Remove the assembly from the carton and simply clip onto the front range legs.
3. The assembly is adjustable about 2" (5.1 cm) front to back so that alignment with the cabinet toe front is possible. Loosen brackets on each side, **but allow snug fit**. Clip assembly onto range legs; determine front to back setting; remove, tighten bolts, and reattach.



Alternate Curb Base View for Custom Ranges



Important Note: The range must be installed as specified in the range installation guide for proper airflow when using the standard curb base.

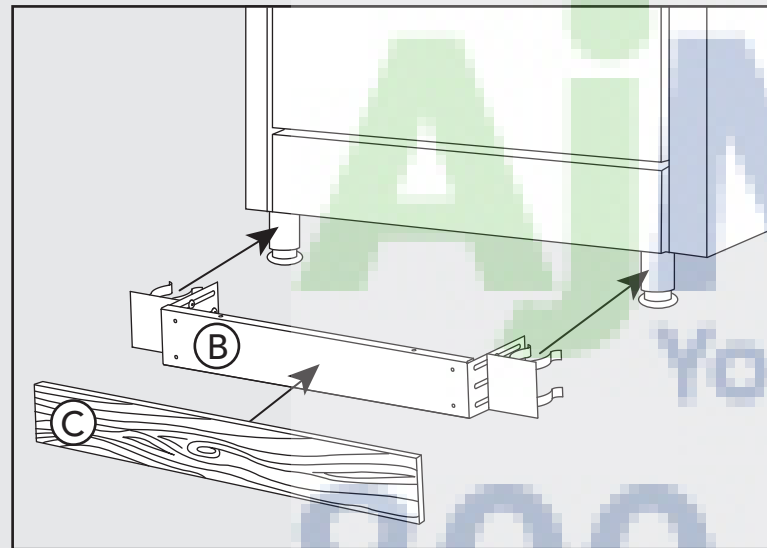
Curb Bases

CUSTOM CURB BASE FRONT

1. Remove the standard curb base front assembly from the carton.
2. Remove the front (A) from the mounting assembly (B).
3. Attach locally supplied front (C) to the mounting assembly (B) and simply clip onto the front range legs.

Important Note: The locally supplied front must not be any taller than 3-1/8" (7.9 cm) tall. Fronts taller than 3-1/8" (7.9 cm) could obstruct the airflow.

4. The assembly is adjustable about 2" (5.1 cm) front to back so that alignment with the cabinet toe front is possible. Loosen brackets on each side, **but allow snug fit**. Clip assembly onto range legs; determine front to back setting; remove, tighten bolts, and reattach.



Important Note: The range must be installed as specified in the range installation guide for proper airflow when using the custom curb base.

Curb Bases

COUNTERTOP REAR TRIM

1. Locate screw hole openings (A) on back of island trim near the top.
2. Align screw hole openings on countertop rear trim with the ones on the back of the island trim.
3. Attach rear trim to island trim with enclosed screws.

