

PLANNING GUIDE

**BUILT-IN
FRENCH DOOR
REFRIGERATORS**

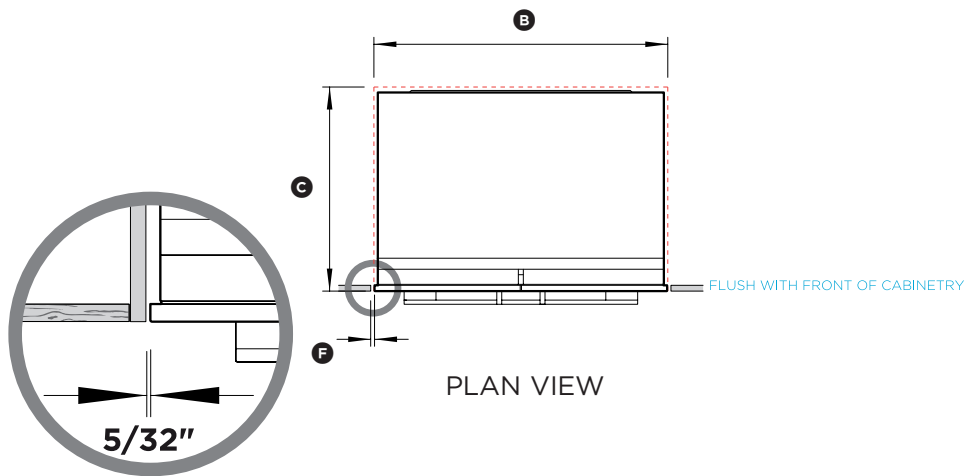
—
OCTOBER 2015

Fisher & Paykel

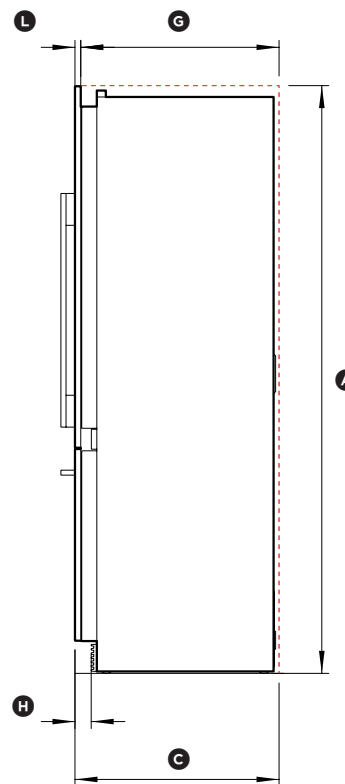
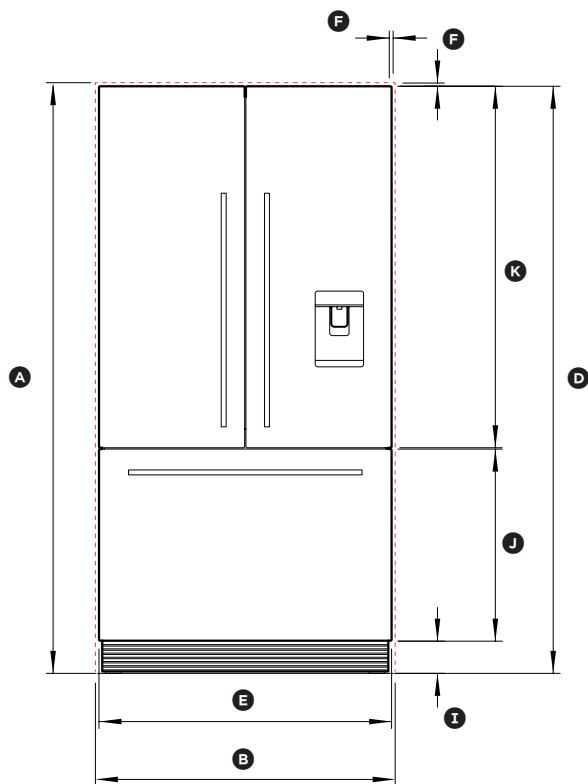
CONTENTS

RS36A72U1 & RS36A72J1		
with Stainless Steel Door panels		
	in	mm
Product & Cavity Dimensions	4	16
Door Opening & Clearance Dimensions	6	18
Cavity Preparation	12	24
Max Distance of Cord	14	26
RS36A72J1		
with Custom Door panels		
Product & Cavity Dimensions	7	19
Door Opening & Clearance Dimensions	8	20
Custom Panel Dimensions	9	21
Custom Panel Preparation	10	22
Cavity Preparation	12	24
Max Distance of Cord	14	26

IMPERIAL



Note: Shows adjoining cabinetry not sharing door gap



PRODUCT & CAVITY DIMENSIONS

36" ActiveSmart™ Built-in Refrigerator

Model no:

RS36A72U1

(with Stainless Steel Door panels PART NO. RD3672U)

Cavity Dimensions	in
Ⓐ Overall height of cavity	72"
Ⓑ Overall width of cavity	36"
Ⓒ Overall depth of cavity	25"

Total front panel width with required gaps at sides = 36" (Ⓒ product width + 2 x Ⓒ cabinetry gaps).

Height of front panels with required gap above = 72 1/16" (Ⓒ product height + Ⓒ cabinetry gap).

Product Dimensions	in
Ⓐ Overall height of product*	71 7/8"
Ⓑ Overall width of product	35 11/16"
Ⓕ Minimum cabinetry gap clearance from edge of product	5/32"
Ⓒ Overall depth of product (excl. front door panels)	23 3/4"
Ⓓ Depth of toekick (measured from front of door panels)	2"
Ⓔ Height of grill/toekick*	4"
Ⓗ Height of bottom drawer panel	23 7/16"
Ⓖ Height of top door panels	44 3/16"
Ⓖ Depth of product front panels (excludes handles)**	3/4"

* Includes mounted feet

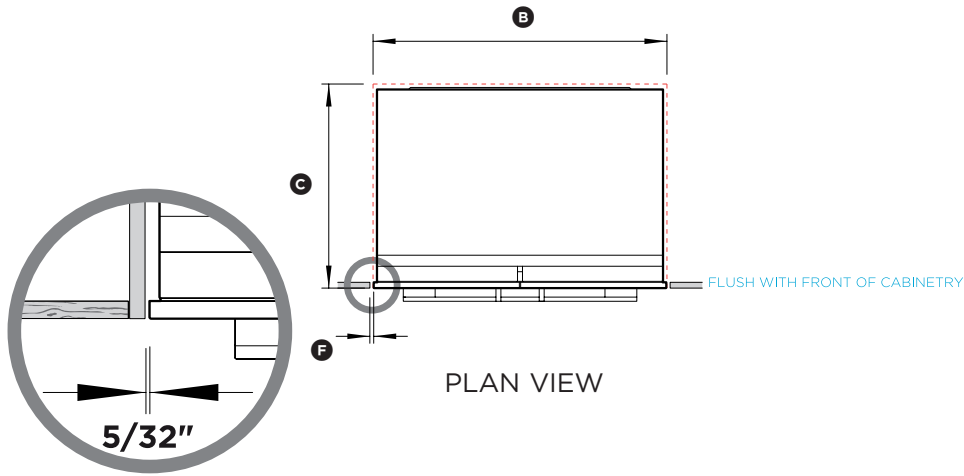
** Optional EZKleen Stainless Steel front panels - PART NO. RD3672U

INDICATES CAVITY CLEARANCES -----

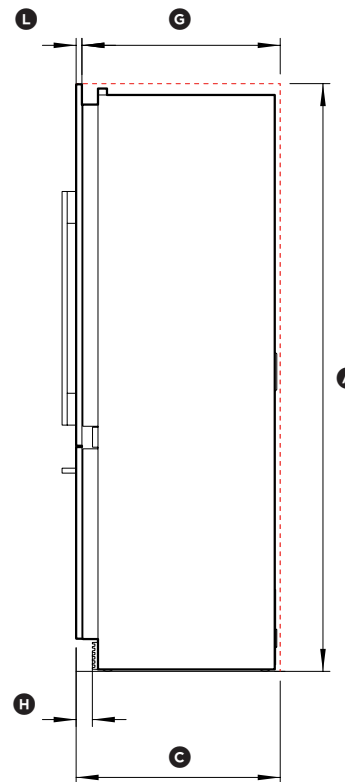
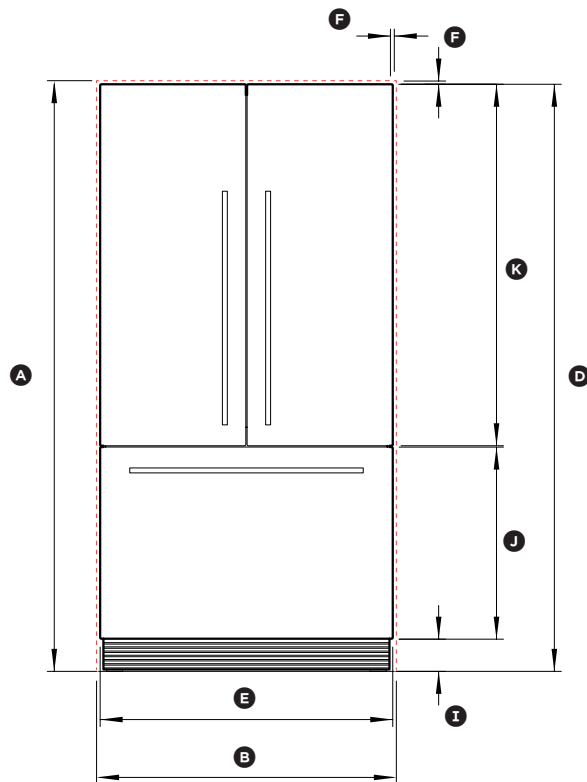
DATE: 14.10.2015

IMPORTANT NOTE: Throughout this guide, dimensions may vary by ±2mm (3/32"). Please read the installation manual for detailed information on installing the product. www.fisherpaykel.com

Fisher & Paykel



Note: Shows adjoining cabinetry not sharing door gap



PRODUCT & CAVITY DIMENSIONS

36" ActiveSmart™ Built-in Refrigerator

Model no:

RS36A72J1

(with Stainless Steel Door panels PART NO. RD3672)

Cavity Dimensions	in
Ⓐ Overall height of cavity	72"
Ⓑ Overall width of cavity	36"
Ⓒ Overall depth of cavity	25"

Total front panel width with required gaps at sides = 36" (Ⓒ product width + 2 x Ⓓ cabinetry gaps).

Height of front panels with required gap above = 72 1/16" (Ⓒ product height + Ⓔ cabinetry gap).

Product Dimensions	in
Ⓐ Overall height of product*	71 7/8"
Ⓑ Overall width of product	35 11/16"
Ⓓ Minimum cabinetry gap clearance from edge of product	5/32"
Ⓒ Overall depth of product (excl. front door panels)	23 3/4"
Ⓜ Depth of toekick (measured from front of door panels)	2"
Ⓐ Height of grill/toekick*	4"
Ⓐ Height of bottom drawer panel	23 7/16"
Ⓜ Height of top door panels	44 3/16"
Ⓐ Depth of product front panels (excludes handles)**	3/4"

* Includes mounted feet

** Optional EZKleen Stainless Steel front panels - PART NO. RD3672

INDICATES CAVITY CLEARANCES -----

DATE: 14.10.2015

IMPORTANT NOTE: Throughout this guide, dimensions may vary by ±2mm (3/32"). Please read the installation manual for detailed information on installing the product. www.fisherpaykel.com

DOOR OPENING & CLEARANCE DIMENSIONS

36" ActiveSmart™ Built-in Refrigerator

Model no:

RS36A72U1

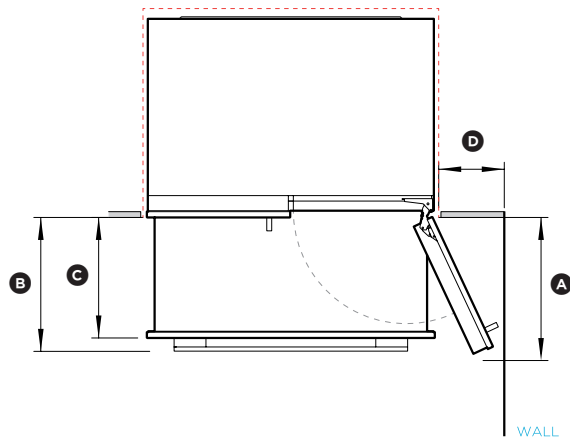
(with Stainless Steel Door panels PART NO. RD3672U)

RS36A72J1

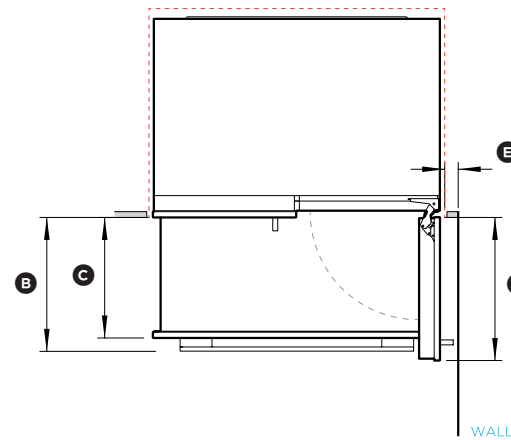
(with Stainless Steel Door panels PART NO. RD3672)

Door Opening & Clearance Dimensions	in
Ⓐ Depth of door (widest opening) measured from front of door	17 5/16"
Ⓑ Depth of drawer (open) measured from front of drawer, including handle	15 3/4"
Ⓒ Depth of drawer (open) measured from front of drawer, excluding handle	14 3/16"
Ⓓ Minimum door clearance to adjacent wall* (115° - full internal access)	11 13/16"
Ⓔ Minimum door clearance to adjacent wall* (90° - reduced internal access)	3 13/16"

* Measured from front cabinetry edge.



115° DOOR OPENING
[FULL ROTATION]

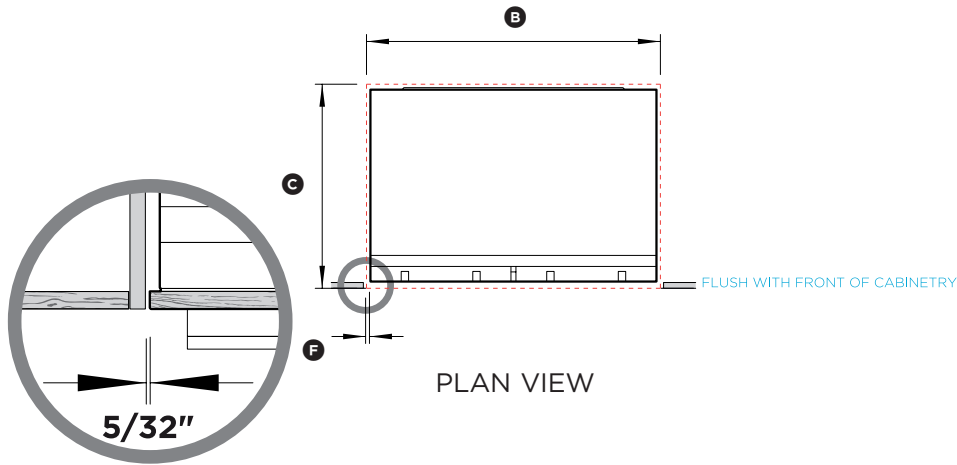


90° DOOR OPENING

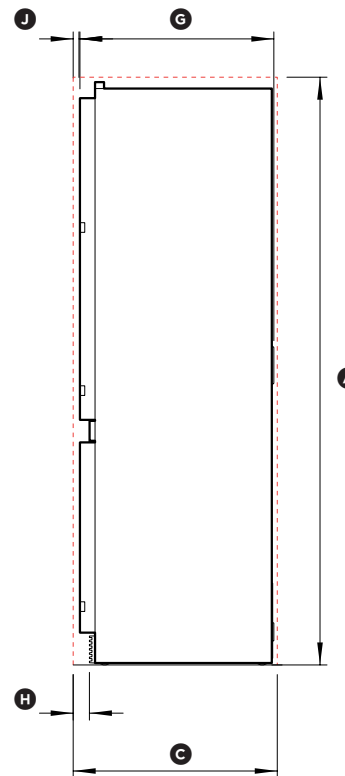
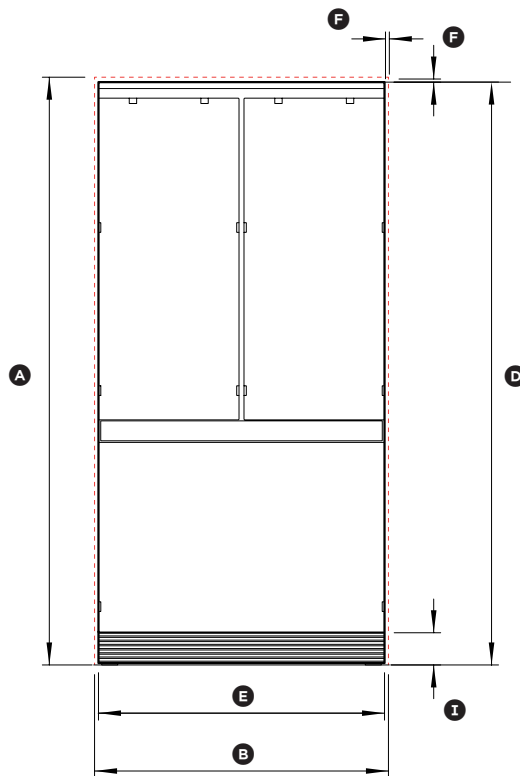
INDICATES CAVITY CLEARANCES - - - - -

DATE: 14.10.2015

IMPORTANT NOTE: Throughout this guide, dimensions may vary by $\pm 2\text{mm}$ ($3/32''$). Please read the installation manual for detailed information on installing the product. www.fisherpaykel.com



Note: Shown with custom panel attached to fridge



PRODUCT & CAVITY DIMENSIONS

36" ActiveSmart™ Built-in Refrigerator

Model no:
RS36A72J1

Cavity Dimensions	in
Ⓐ Overall height of cavity	72"
Ⓑ Overall width of cavity	36"
Ⓒ Overall depth of cavity	25"

Total front panel width with required gaps at sides = 36" (Refer custom panel dimensions page 9 - panel width + 2 x Ⓕ cabinetry gaps).

Product Dimensions	in
Ⓓ Overall height of product*	71 7/8"
Ⓔ Overall width of product	35 1/16"
Ⓕ Minimum cabinetry gap clearance from edge of custom panels**	5/32"
Ⓖ Overall depth of product (excl. front door panels)	23 3/4"
Ⓗ Depth of toe/kick (measured from front of door panels***)	2"
Ⓘ Height of grill/toe/kick*	4"
Ⓚ Depth of product front panels (excludes handles)***	3/4"

* Includes mounted feet and top brackets

** For custom panel dimensions refer to page 9

*** Door panels to be manufactured and fitted by cabinetmaker, thickness min 5/8" - max 3/4"

INDICATES CAVITY CLEARANCES -----

DATE: 14.10.2015

IMPORTANT NOTE: Throughout this guide, dimensions may vary by ±2mm (3/32"). Please read the installation manual for detailed information on installing the product. www.fisherpaykel.com

DOOR OPENING & CLEARANCE DIMENSIONS

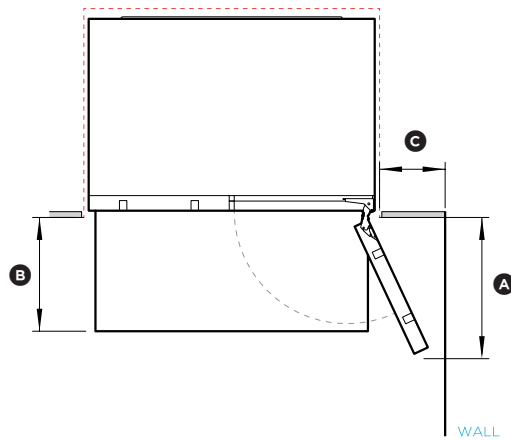
36" ActiveSmart™ Built-in Refrigerator

Model no:
RS36A72J1

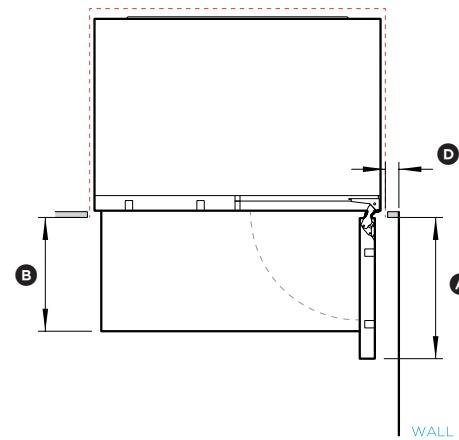
Door Opening & Clearance Dimensions	in
Ⓐ Depth of door (widest opening) measured from front of door	17 5/16"
Ⓑ Depth of drawer (open) measured from front of cabinetry*	15 3/4"
Ⓒ Minimum door clearance** to adjacent wall* (115° - full internal access)	11 13/16"
Ⓓ Minimum door clearance** to adjacent wall* (90° - reduced internal access)*	3 13/16"

* Does not include the custom door panels or handles to be manufactured and fitted by cabinetmaker.

** Measured from front cabinetry edge.



115° DOOR OPENING
[FULL ROTATION]



90° DOOR OPENING

INDICATES CAVITY CLEARANCES -----

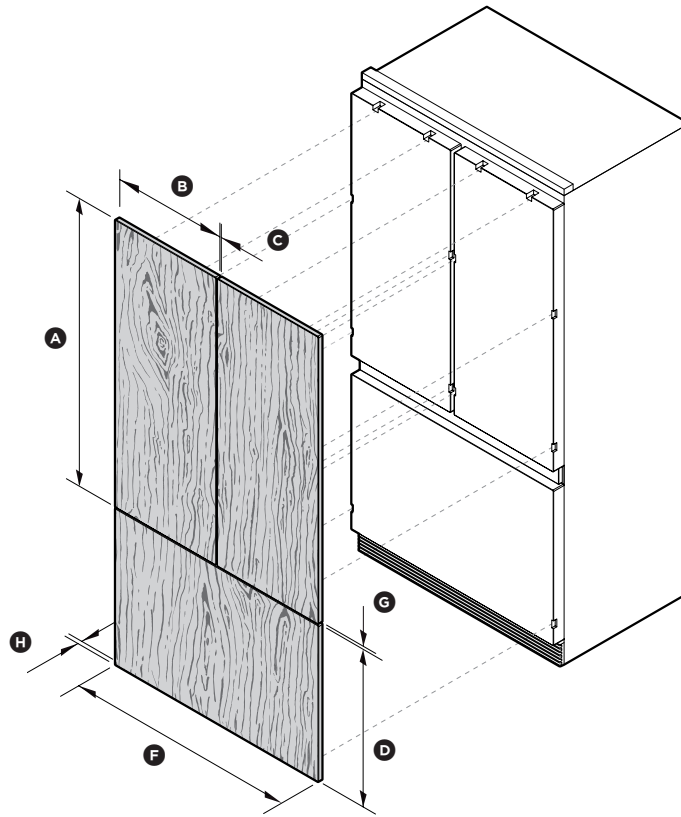
DATE: 14.10.2015

IMPORTANT NOTE: Throughout this guide, dimensions may vary by $\pm 2\text{mm}$ ($3/32''$). Please read the installation manual for detailed information on installing the product. www.fisherpaykel.com

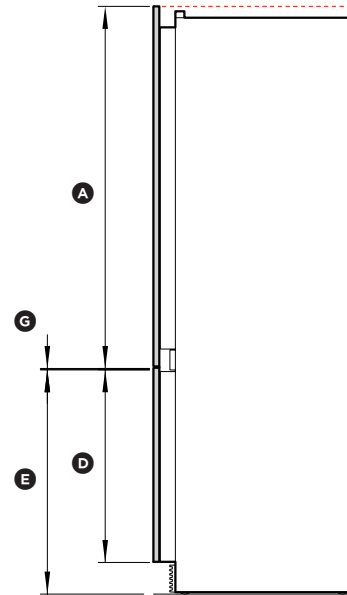
CUSTOM PANEL DIMENSIONS

36" ActiveSmart™ Built-in Refrigerator

Model no:
RS36A72J1



ISO VIEW



PROFILE VIEW

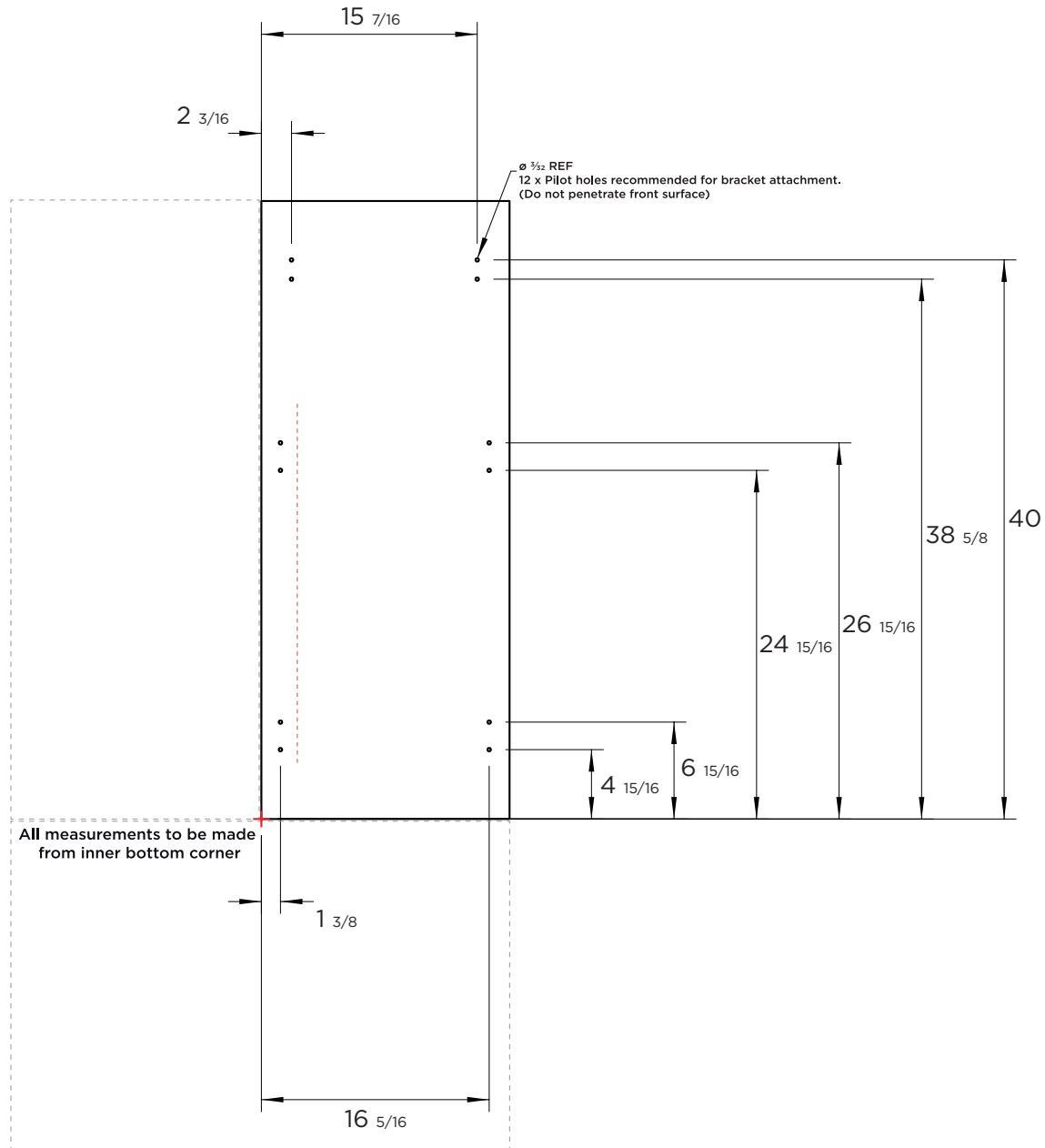
Custom Panel Dimensions	in	
Ⓐ Height of top door panel	44 3/16"	
Ⓑ Width of top door panel	17 3/4"	
Ⓒ Gap between top door panels	5/32"	
Ⓓ Height of bottom drawer panel	23 7/16"	
Ⓔ Height from bottom of product to top of bottom drawer panel	27 1/2"	
Ⓕ Width of bottom drawer panel	35 11/16"	
Ⓖ Gap between top door panels and bottom drawer panel	5/32"	
Ⓗ Depth of custom panels	min 5/8" max 3/4"	
Maximum weight of an individual top door panel		22 pounds
Maximum weight of bottom drawer panel		21 pounds

Custom door panels and handles to be manufactured and fitted by cabinetmaker

INDICATES CAVITY CLEARANCES -----

DATE: 14.10.2015

IMPORTANT NOTE: Throughout this guide, dimensions may vary by ±2mm (3/32"). Please read the installation manual for detailed information on installing the product. www.fisherpaykel.com



TOP PANEL - REAR VIEW

CUSTOM PANEL PREPARATIONS

36" ActiveSmart™ Built-in Refrigerator

Model no:
RS36A72J1

Custom Panel Preparation

Dimensions are shown in Imperial (in)

Dimensions apply for the preparation and installation of custom panels

Custom panels are for non-Ice & Water models only

For the second panel mirror and repeat dimensions using inner bottom corner as the reference point

Handles

Ensure handle is mounted $2 \frac{9}{16}$ " mm from inner edge of panel to the centre - this will avoid interference with brackets. (Refer red dash line)

Dwg & Dxf Files

Dwg and Dxf files of the panel preparation are available within the download folder for this product and can be found on <http://thekitchentools.fisherpaykel.com>

DATE: 14.10.2015

IMPORTANT NOTE: Throughout this guide, dimensions may vary by ± 2 mm ($\frac{3}{32}$ "). Please read the installation manual for detailed information on installing the product. www.fisherpaykel.com

CUSTOM PANEL PREPARATIONS

36" ActiveSmart™ Built-in Refrigerator

Model no:
RS36A72J1

Custom Panel Preparation

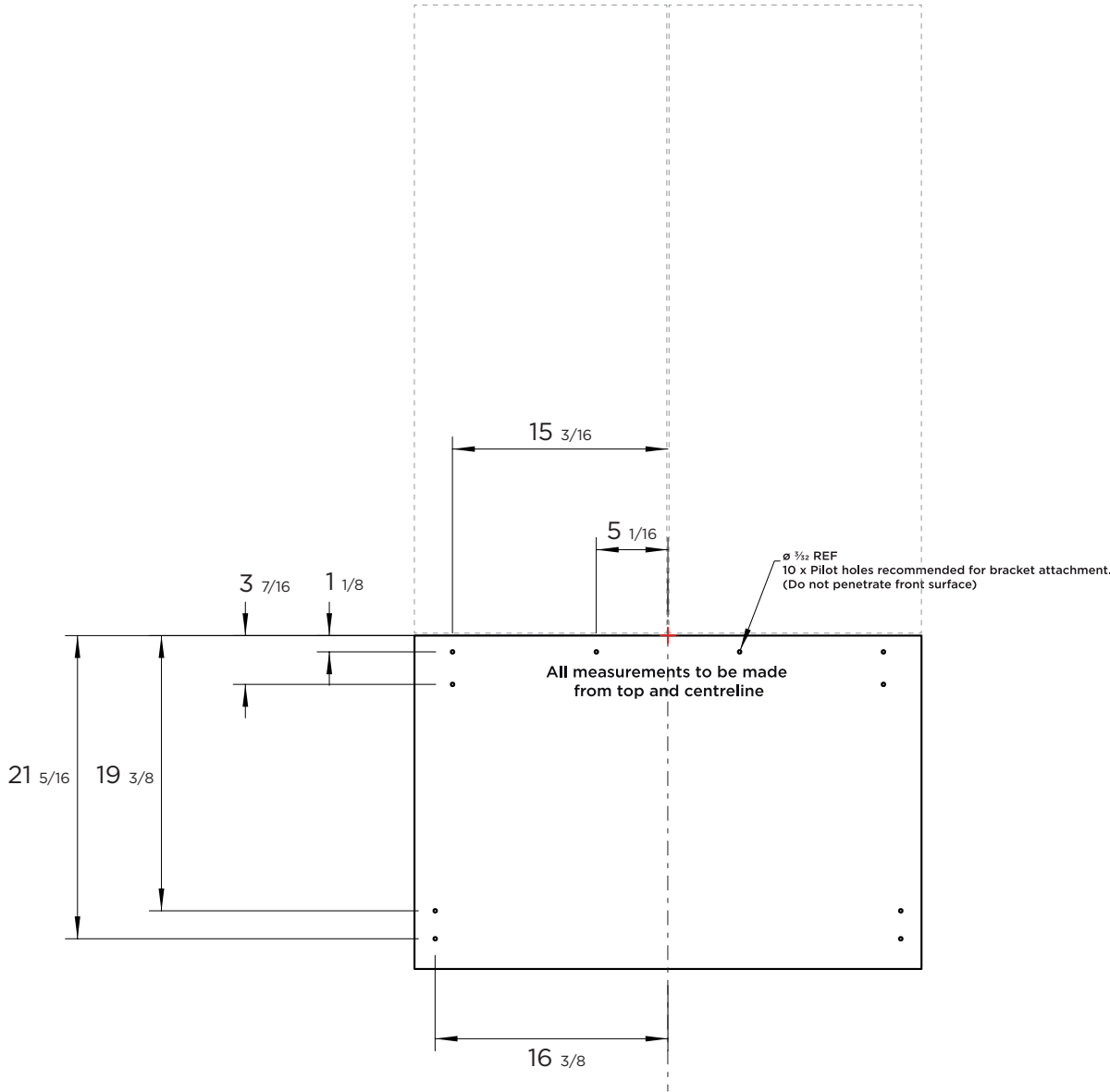
Dimensions are shown in Imperial (in)
 Dimensions apply for the preparation and installation of custom panels
 Custom panels are for non-Ice & Water models only

Handles

Ensure handle screw heads are counter sunk into back of panel to avoid interfering with hanging bracket

Dwg & Dxf Files

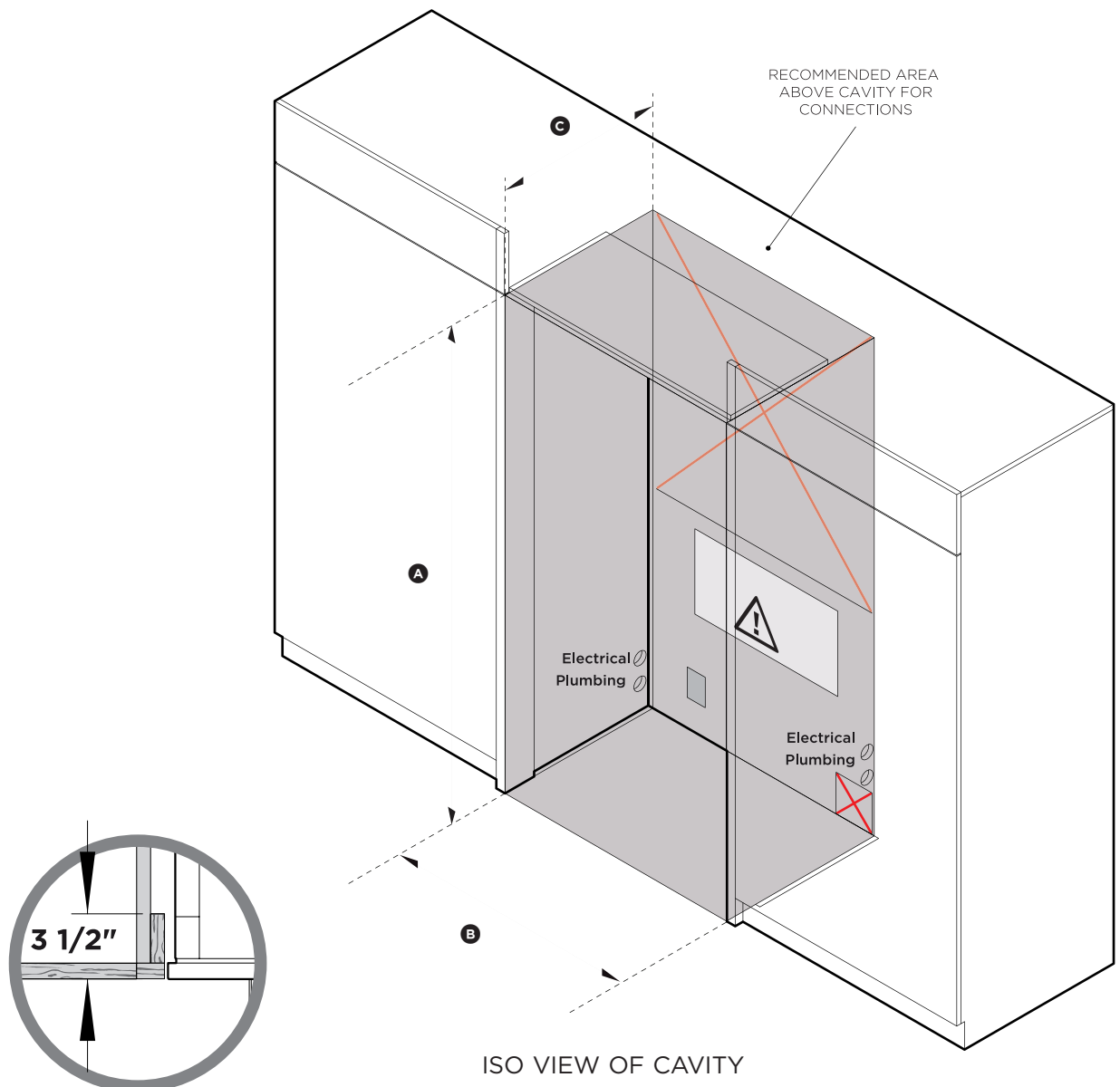
Dwg and Dxf files of the panel preparation are available within the download folder for this product and can be found on <http://thekitchentools.fisherpaykel.com>



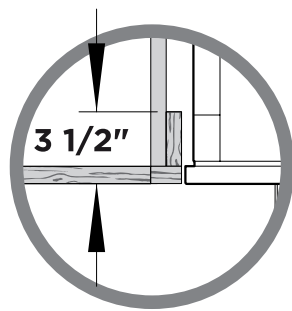
BOTTOM PANEL - REAR VIEW

DATE: 14.10.2015

IMPORTANT NOTE: Throughout this guide, dimensions may vary by ± 2 mm ($3/32$ "). Please read the installation manual for detailed information on installing the product. www.fisherpaykel.com



ISO VIEW OF CAVITY



Framed: Finished return, sides and top

CAVITY PREPARATION

36" ActiveSmart™ Built-in Refrigerator

Model no:
RS36A72U1 (with SS Door skin PART NO. RD3672U)
RS36A72J1 (with SS Door skin PART NO. RD3672)
RS36A72J1

Category	Value	Unit
Cavity Dimensions		
Ⓐ Overall height of cavity	72"	in
Ⓑ Overall width of cavity	36"	in
when adjoining cabinetry cannot share 5/32" door gap		
Ⓒ Overall depth of cavity	25"	in

Specifications	
Electrical	
Supply	115 VAC, 60 Hz
Service	10 amp circuit
Plumbing	
Supply	1/4" (6mm) PEX hose or copper tubing (to suit local regulations)*
Pressure	min 22 psi (150 kPa) max 120 psi (827 kPa) @ 68°F (20°C)

NOTE: Recommended that the electrical & water connection be located above the fridge cavity. Optional to locate in an adjacent cabinet to either side of the fridge.

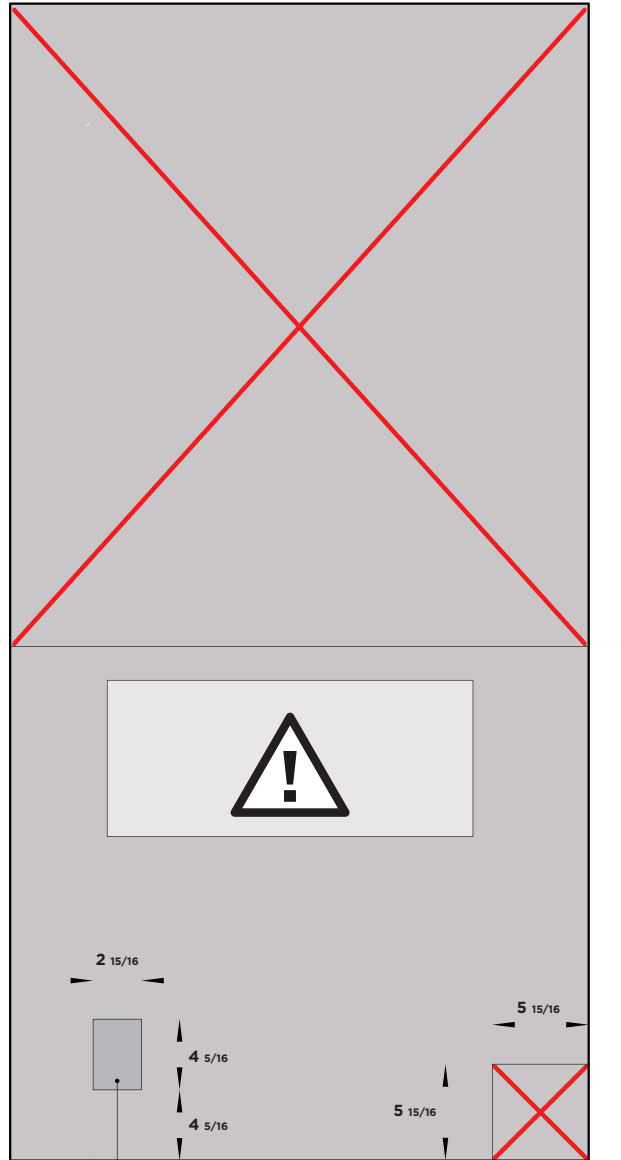
- ✗ Do not locate water or electricity in this area, keep clear of connections.
- ⚠ CAUTION: Central area can only fit electrical plug if it is placed within a recessed cavity.

* Customer to supply.

DATE: 14.10.2015

IMPORTANT NOTE: Throughout this guide, dimensions may vary by ±2mm (3/32"). Please read the installation manual for detailed information on installing the product. www.fisherpaykel.com

LEFT SIDE
OF CAVITY



FLOOR

5 1/16

REAR OF CAVITY

ALTERNATIVE
ELECTRICAL
CONNECTION LOCATION

31 1/2

CAVITY PREPARATION

36" ActiveSmart™ Built-in Refrigerator

Model no:

RS36A72U1 (with SS Door skin PART NO. RD3672U)

RS36A72J1 (with SS Door skin PART NO. RD3672)

RS36A72J1

cavity Dimensions	in
Ⓐ Overall height of cavity	72"
Ⓑ Overall width of cavity	36"
when adjoining cabinetry cannot share 5/32" door gap	
Ⓒ Overall depth of cavity	25"

Specifications

Electrical

Supply 115 VAC, 60 Hz

Service 10 amp circuit

Plumbing

Supply 1/4" (6mm) PEX hose or copper tubing
(to suit local regulations)*

Pressure min 22 psi (150 kPa)
max 120 psi (827 kPa) @ 68°F (20°C)

NOTE: Recommended that the electrical & water connection be located above the fridge cavity. Optional to locate in an adjacent cabinet to either side of the fridge.

✗ Do not locate water or electricity in this area, keep clear of connections.

⚠ CAUTION: Central area can only fit electrical plug if it is placed within a recessed cavity.

* Customer to supply.

DATE: 14.10.2015

IMPORTANT NOTE: Throughout this guide, dimensions may vary by ±2mm (3/32"). Please read the installation manual for detailed information on installing the product. www.fisherpaykel.com

Fisher & Paykel

MAX DISTANCE OF CORD

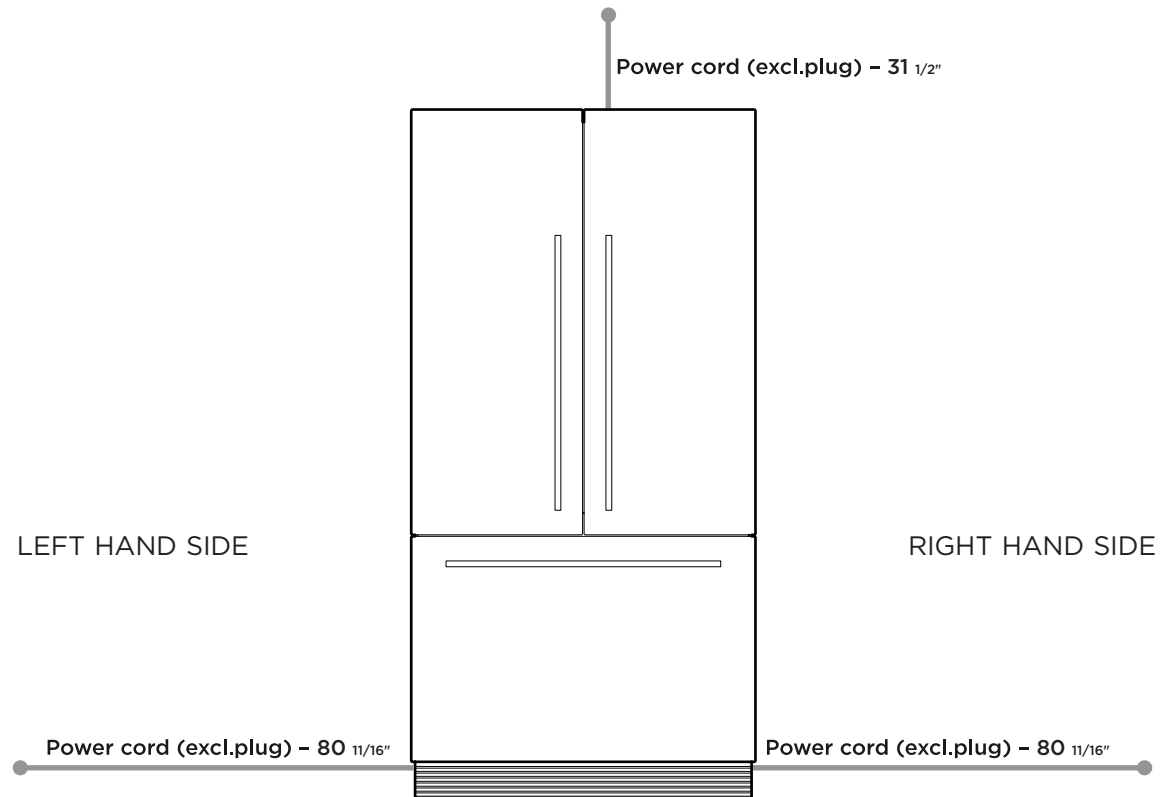
36" ActiveSmart™ Built-in Refrigerator

Model no:

RS36A72U1 (with SS Door skin PART NO. RD3672U)

RS36A72J1 (with SS Door skin PART NO. RD3672)

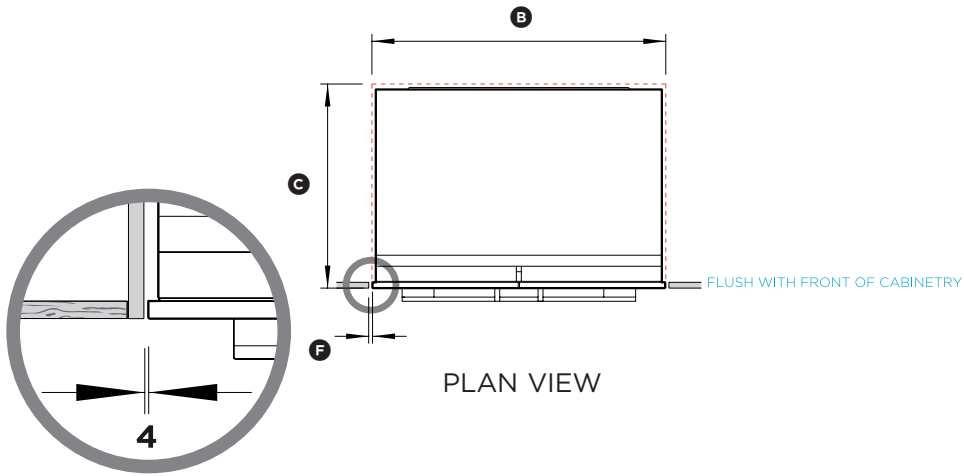
RS36A72J1



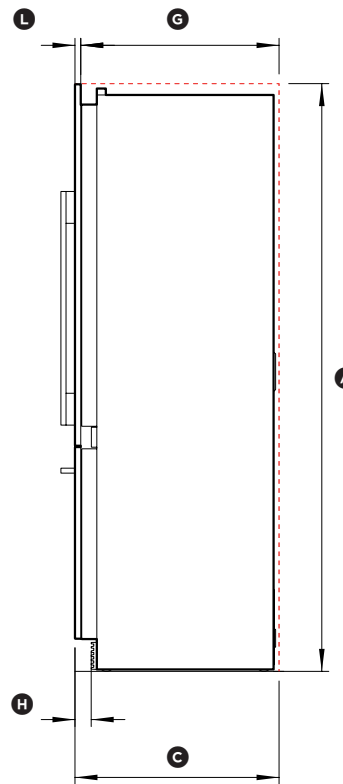
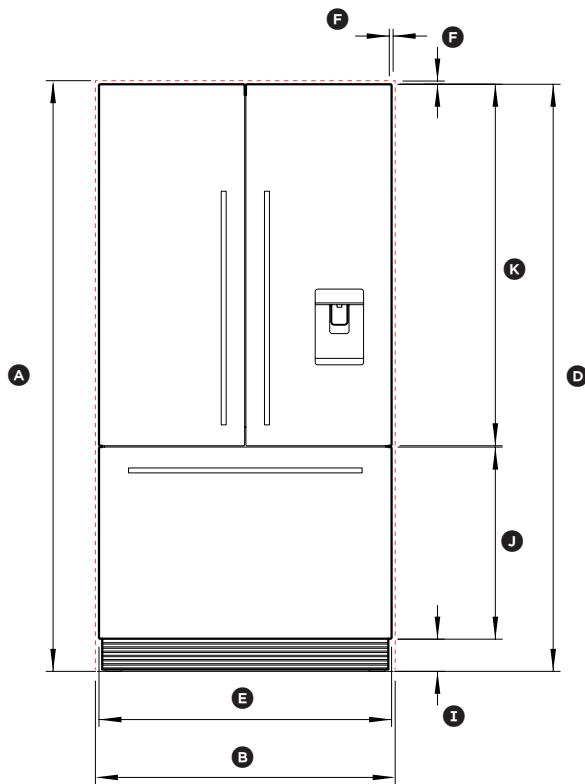
DATE: 14.10.2015

IMPORTANT NOTE: Throughout this guide, dimensions may vary by $\pm 2\text{mm}$ ($3/32''$). Please read the installation manual for detailed information on installing the product. www.fisherpaykel.com

METRIC



Note: Shows adjoining cabinetry not sharing door gap



PRODUCT & CAVITY DIMENSIONS

36" ActiveSmart™ Built-in Refrigerator

Model no:

RS36A72U1

(with Stainless Steel Door panels PART NO. RD3672U)

Cavity Dimensions	mm
Ⓐ Overall height of cavity	1829
Ⓑ Overall width of cavity	
when adjoining cabinetry cannot share 4mm door gap	914
Ⓒ Overall depth of cavity	635

Total front panel width with required gaps at sides = 914 (Ⓒ product width + 2 x Ⓒ cabinetry gaps).

Height of front panels with required gap above = 1831 (Ⓓ product height + Ⓒ cabinetry gap).

Product Dimensions	mm
Ⓓ Overall height of product*	1825
Ⓔ Overall width of product	906
Ⓕ Minimum cabinetry gap clearance from edge of product	4
Ⓖ Overall depth of product (excl. front door panels)	603
Ⓜ Depth of toe-kick (measured from front of door panels)	51
Ⓣ Height of grill/toe-kick*	102
Ⓝ Height of bottom drawer panel	596
Ⓢ Height of top door panels	1123
Ⓟ Depth of product front panels (excludes handles)**	19

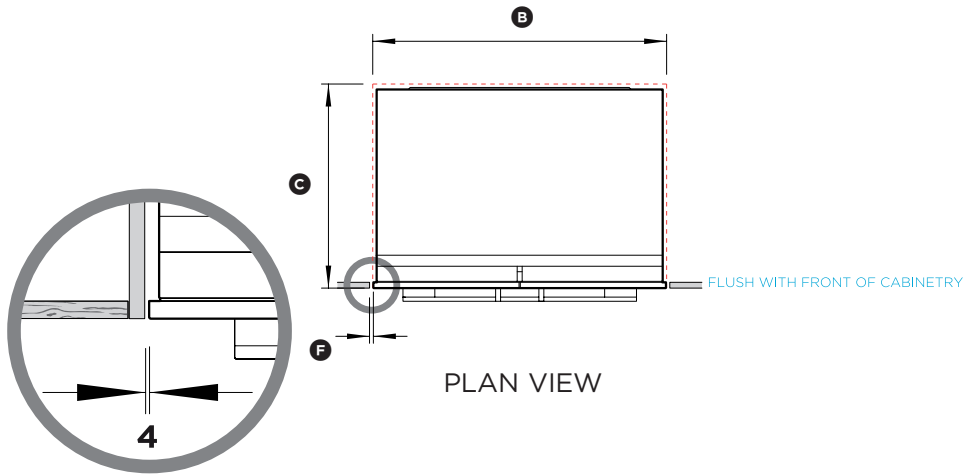
* Includes mounted feet

** Optional EZKleen Stainless Steel front panels - PART NO. RD3672U

INDICATES CAVITY CLEARANCES -----

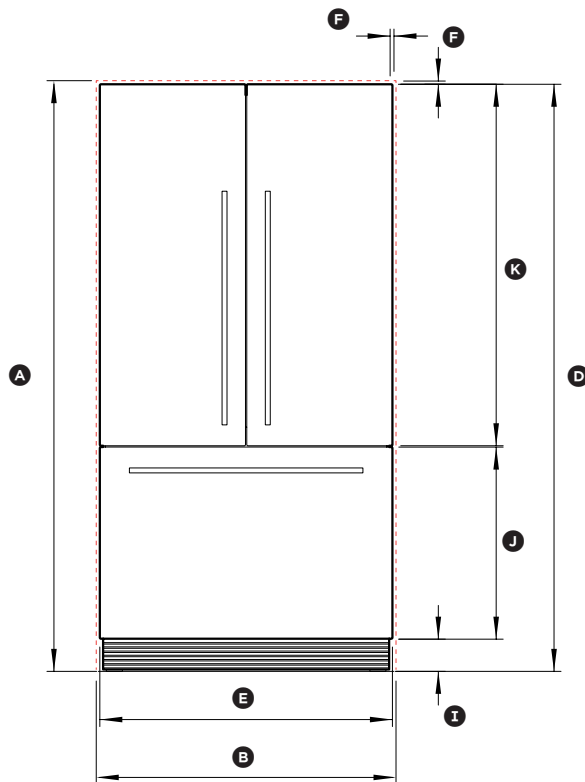
DATE: 14.10.2015

IMPORTANT NOTE: Throughout this guide, dimensions may vary by ±2mm (3/32"). Please read the installation manual for detailed information on installing the product. www.fisherpaykel.com

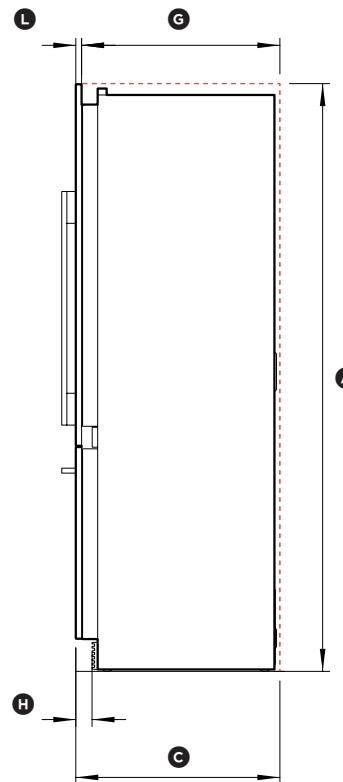


PLAN VIEW

Note: Shows adjoining cabinetry not sharing door gap



FRONT VIEW



PROFILE VIEW

PRODUCT & CAVITY DIMENSIONS

36" ActiveSmart™ Built-in Refrigerator

Model no:

RS36A72J1

(with Stainless Steel Door panels PART NO. RD3672)

Cavity Dimensions	mm
Ⓐ Overall height of cavity	1829
Ⓑ Overall width of cavity	
when adjoining cabinetry cannot share 4mm door gap	914
Ⓒ Overall depth of cavity	635

Total front panel width with required gaps at sides = 914 (Ⓒ product width + 2 x Ⓒ cabinetry gaps).

Height of front panels with required gap above = 1831 (Ⓒ product height + Ⓒ cabinetry gap).

Product Dimensions	mm
Ⓐ Overall height of product*	1825
Ⓑ Overall width of product	906
Ⓒ Minimum cabinetry gap clearance from edge of product	4
Ⓓ Overall depth of product (excl. front door panels)	603
Ⓔ Depth of toekick (measured from front of door panels)	51
Ⓕ Height of grill/toekick*	102
Ⓖ Height of bottom drawer panel	596
Ⓗ Height of top door panels	1123
Ⓖ Depth of product front panels (excludes handles)**	19

* Includes mounted feet

** Optional EZKleen Stainless Steel front panels - PART NO. RD3672

INDICATES CAVITY CLEARANCES - - - - -

DATE: 14.10.2015

IMPORTANT NOTE: Throughout this guide, dimensions may vary by ±2mm (3/32"). Please read the installation manual for detailed information on installing the product. www.fisherpaykel.com

DOOR OPENING & CLEARANCE DIMENSIONS

36" ActiveSmart™ Built-in Refrigerator

Model no:

RS36A72U1

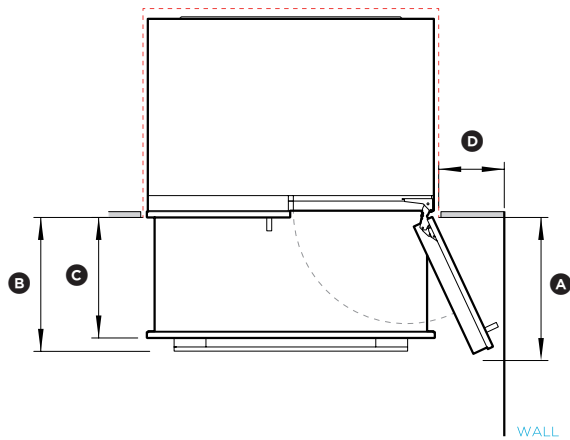
(with Stainless Steel Door panels PART NO. RD3672U)

RS36A72J1

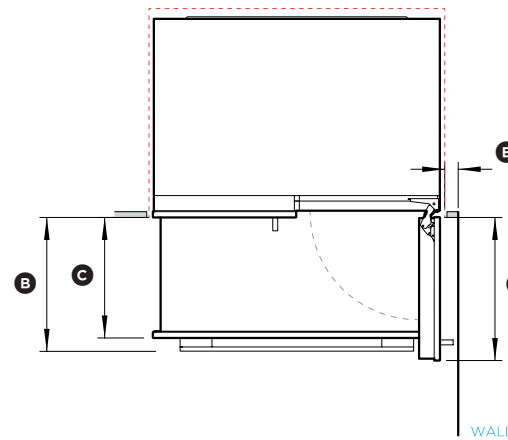
(with Stainless Steel Door panels PART NO. RD3672)

Door Opening & Clearance Dimensions	mm
Ⓐ Depth of door (widest opening) measured from front of door	440
Ⓑ Depth of drawer (open) measured from front of drawer, including handle	400
Ⓒ Depth of drawer (open) measured from front of drawer, excluding handle	360
Ⓓ Minimum door clearance to adjacent wall* (115° - full internal access)	300
Ⓔ Minimum door clearance to adjacent wall* (90° - reduced internal access)	100

* Measured from front cabinetry edge.



115° DOOR OPENING
[FULL ROTATION]

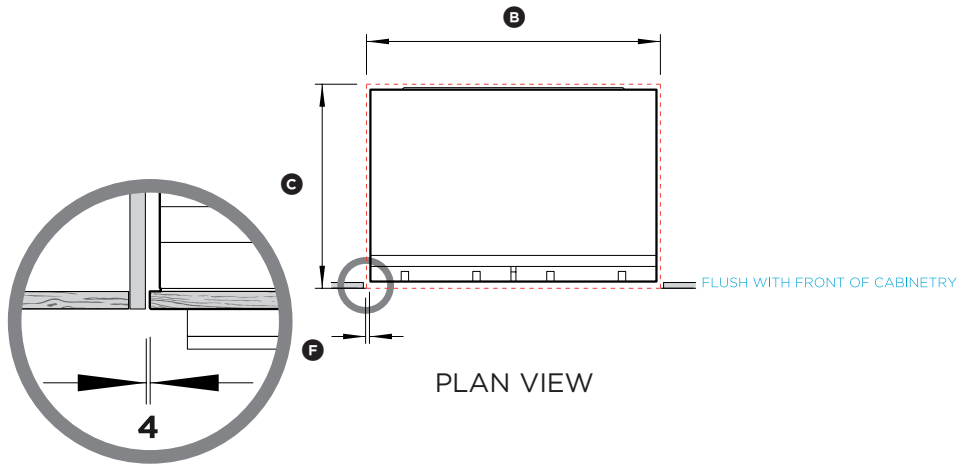


90° DOOR OPENING

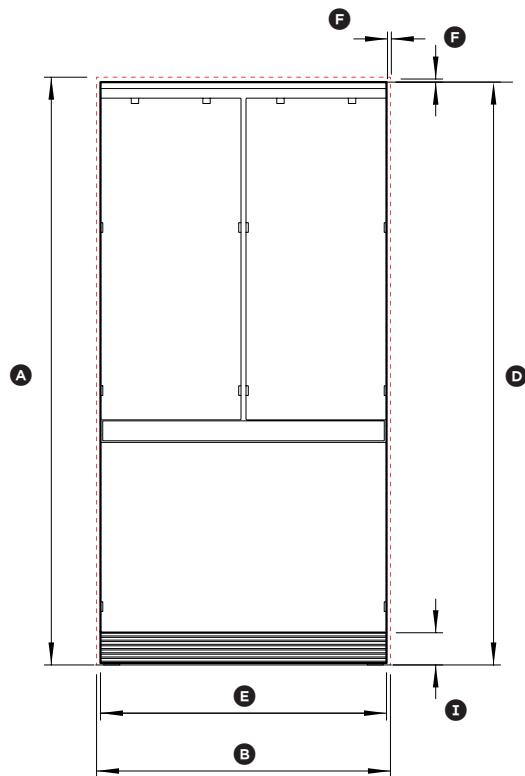
INDICATES CAVITY CLEARANCES - - - - -

DATE: 14.10.2015

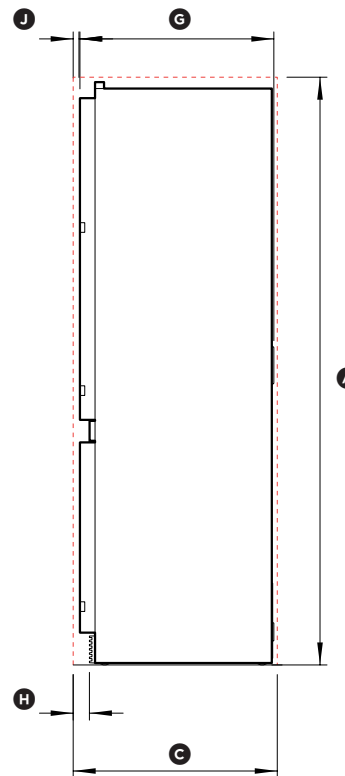
IMPORTANT NOTE: Throughout this guide, dimensions may vary by ±2mm (3/32"). Please read the installation manual for detailed information on installing the product. www.fisherpaykel.com



Note: Shown with custom panel attached to fridge



FRONT VIEW



PROFILE VIEW

PRODUCT & CAVITY DIMENSIONS

36" ActiveSmart™ Built-in Refrigerator

Model no:
RS36A72J1

Cavity Dimensions	mm
Ⓐ Overall height of cavity	1829
Ⓑ Overall width of cavity	
when adjoining cabinetry cannot share 4mm door gap	914
Ⓒ Overall depth of cavity	635

Total front panel width with required gaps at sides = 914mm (Refer custom panel dimensions page 21 - panel width + 2 x Ⓕ cabinetry gaps).

Product Dimensions	mm
Ⓓ Overall height of product*	1825
Ⓔ Overall width of product	890
Ⓕ Minimum cabinetry gap clearance from edge of custom panels**	4
Ⓖ Overall depth of product (excl. front door panels)	603
Ⓗ Depth of toekick (measured from front of door panels***)	51
Ⓘ Height of grill/toekick*	102
Ⓚ Depth of product front panels (excludes handles)***	19

* Includes mounted feet and top brackets

** For custom panel dimensions refer to page 21

*** Door panels to be manufactured and fitted by cabinetmaker, thickness min 16 - max 19mm

INDICATES CAVITY CLEARANCES -----

DATE: 14.10.2015

IMPORTANT NOTE: Throughout this guide, dimensions may vary by ±2mm (3/32"). Please read the installation manual for detailed information on installing the product. www.fisherpaykel.com

DOOR OPENING & CLEARANCE DIMENSIONS

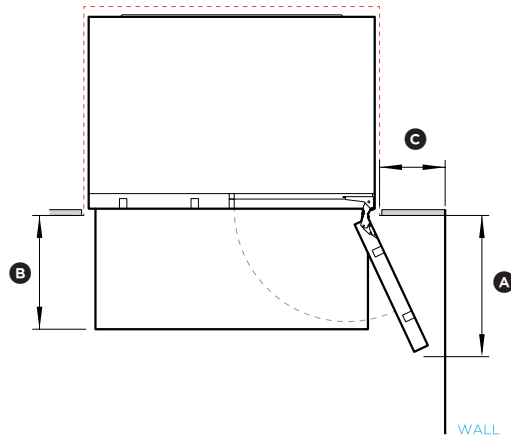
36" ActiveSmart™ Built-in Refrigerator

Model no:
RS36A72J1

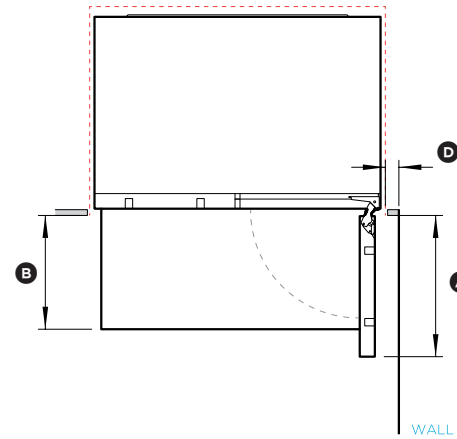
Door Opening & Clearance Dimensions	mm
Ⓐ Depth of door (widest opening) measured from front of door	440
Ⓑ Depth of drawer (open) measured from front of cabinetry*	400
Ⓒ Minimum door clearance** to adjacent wall* (115° - full internal access)*	300
Ⓓ Minimum door clearance** to adjacent wall* (90° - reduced internal access)*	100

* Does not include the custom door panels or handles to be manufactured and fitted by cabinetmaker.

** Measured from front cabinetry edge.



115° DOOR OPENING
[FULL ROTATION]



90° DOOR OPENING

INDICATES CAVITY CLEARANCES -----

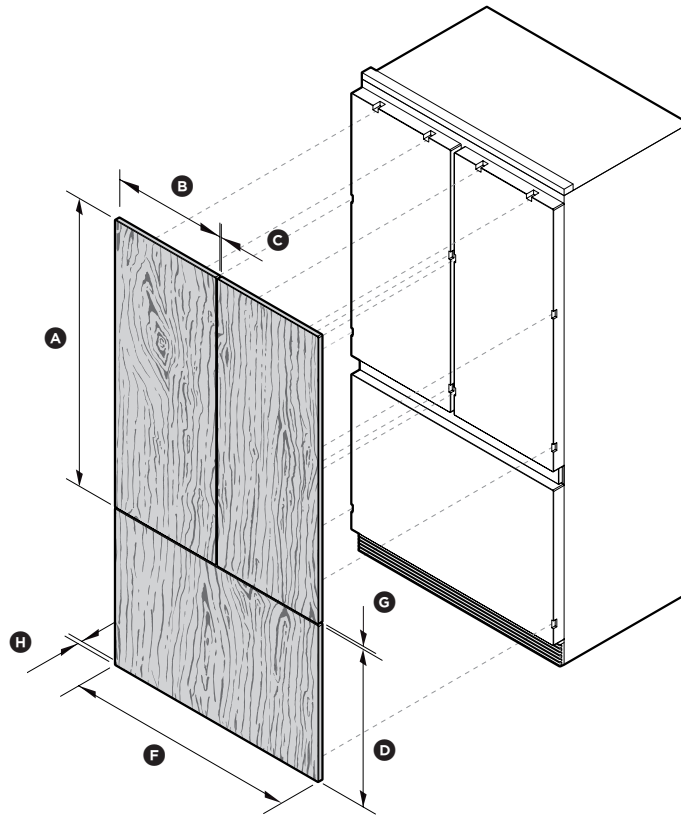
DATE: 14.10.2015

IMPORTANT NOTE: Throughout this guide, dimensions may vary by ±2mm (3/32"). Please read the installation manual for detailed information on installing the product. www.fisherpaykel.com

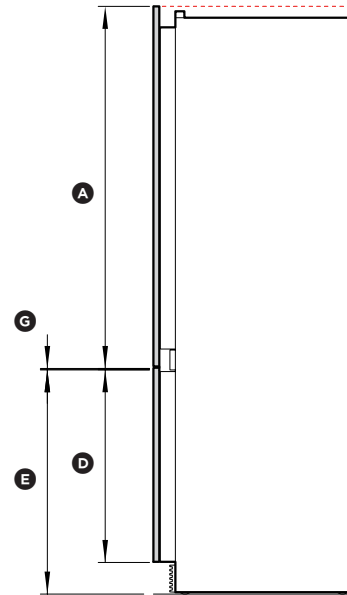
CUSTOM PANEL DIMENSIONS

36" ActiveSmart™ Built-in Refrigerator

Model no:
RS36A72J1



ISO VIEW



PROFILE VIEW

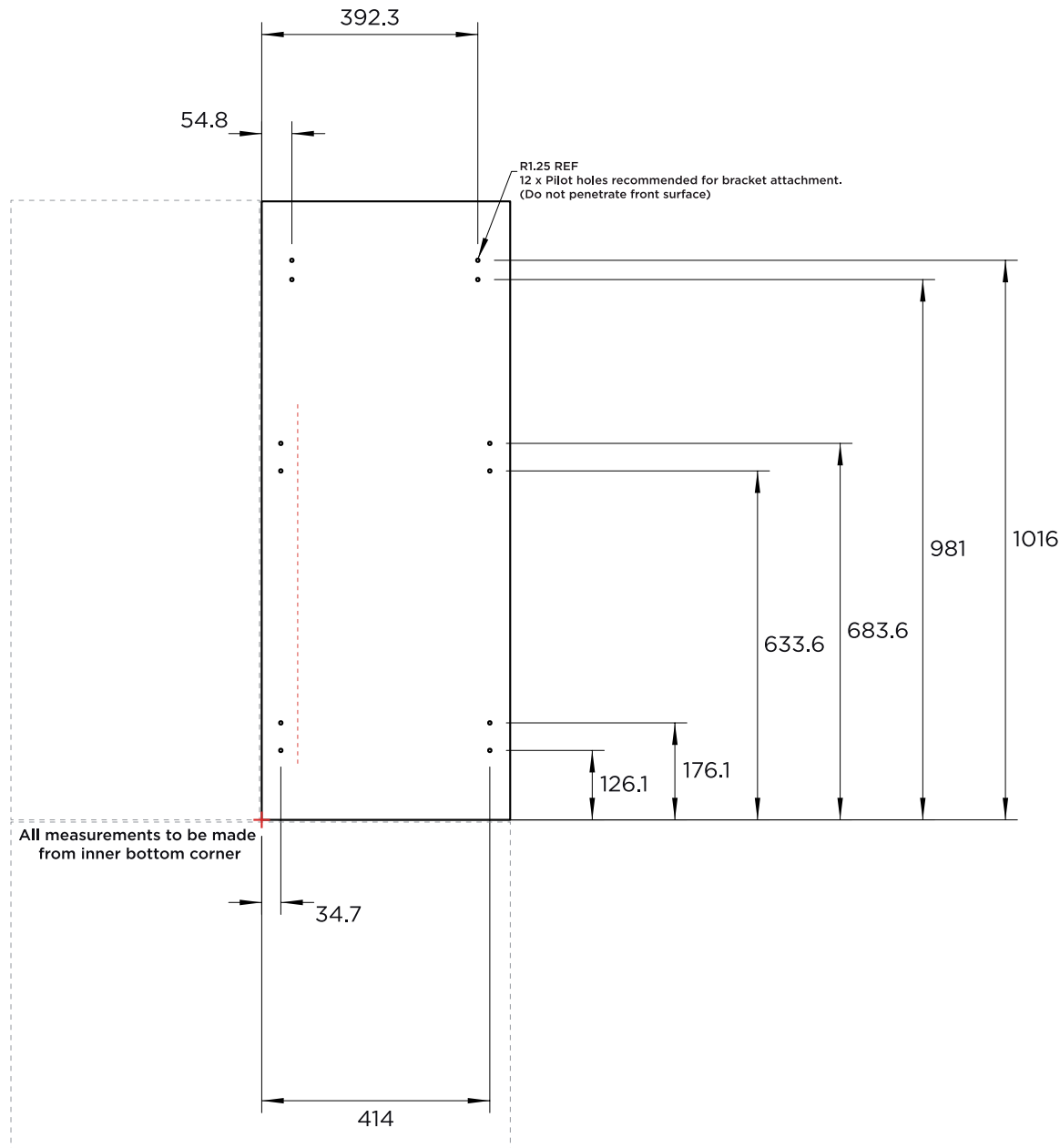
Custom Panel Dimensions	mm
Ⓐ Height of top door panel	1123
Ⓑ Width of top door panel	451
Ⓒ Gap between top door panels	4
Ⓓ Height of bottom drawer panel	596
Ⓔ Height from bottom of product to top of bottom drawer panel	698
Ⓕ Width of bottom drawer panel	906
Ⓖ Gap between top door panels and bottom drawer panel	4
Ⓗ Depth of custom panels	min 16 max 19
Maximum weight of an individual top door panel	10kg
Maximum weight of bottom drawer panel	9.5kg

Custom door panels and handles to be manufactured and fitted by cabinetmaker

INDICATES CAVITY CLEARANCES - - - - -

DATE: 14.10.2015

IMPORTANT NOTE: Throughout this guide, dimensions may vary by $\pm 2\text{mm}$ ($3/32''$). Please read the installation manual for detailed information on installing the product. www.fisherpaykel.com



TOP PANEL - REAR VIEW

CUSTOM PANEL PREPARATIONS

36" ActiveSmart™ Built-in Refrigerator

Model no:
RS36A72J1

Custom Panel Preparation

Dimensions are shown in Metric (mm)

Dimensions apply for the preparation and installation of custom panels

Custom panels are for non-Ice & Water models only

For the second panel mirror and repeat dimensions using inner bottom corner as the reference point

Handles

Ensure handle is mounted 65 mm from inner edge of panel to the centre - this will avoid interference with brackets. (Refer red dash line)

Dwg & Dxf Files

Dwg and Dxf files of the panel preparation are available within the download folder for this product and can be found on <http://thekitchentools.fisherpaykel.com>

DATE: 14.10.2015

IMPORTANT NOTE: Throughout this guide, dimensions may vary by $\pm 2\text{mm}$ ($3/32''$). Please read the installation manual for detailed information on installing the product. www.fisherpaykel.com

CUSTOM PANEL PREPARATIONS

36" ActiveSmart™ Built-in Refrigerator

Model no:
RS36A72J1

Custom Panel Preparation

Dimensions are shown in Metric (mm)

Dimensions apply for the preparation and installation of custom panels

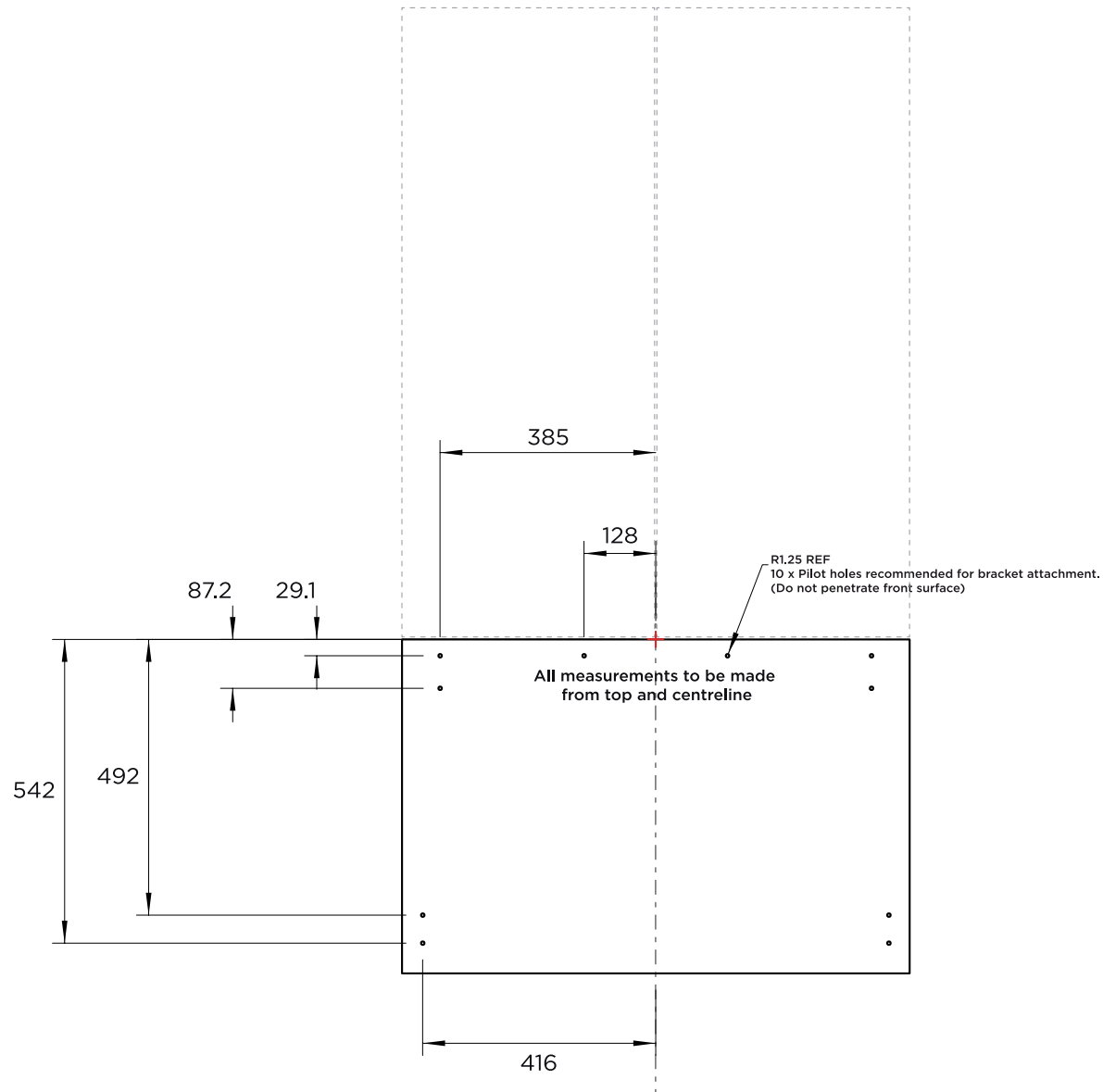
Custom panels are for non-Ice & Water models only

Handles

Ensure handle screw heads are counter sunk into back of panel to avoid interfering with hanging bracket

Dwg & Dxf Files

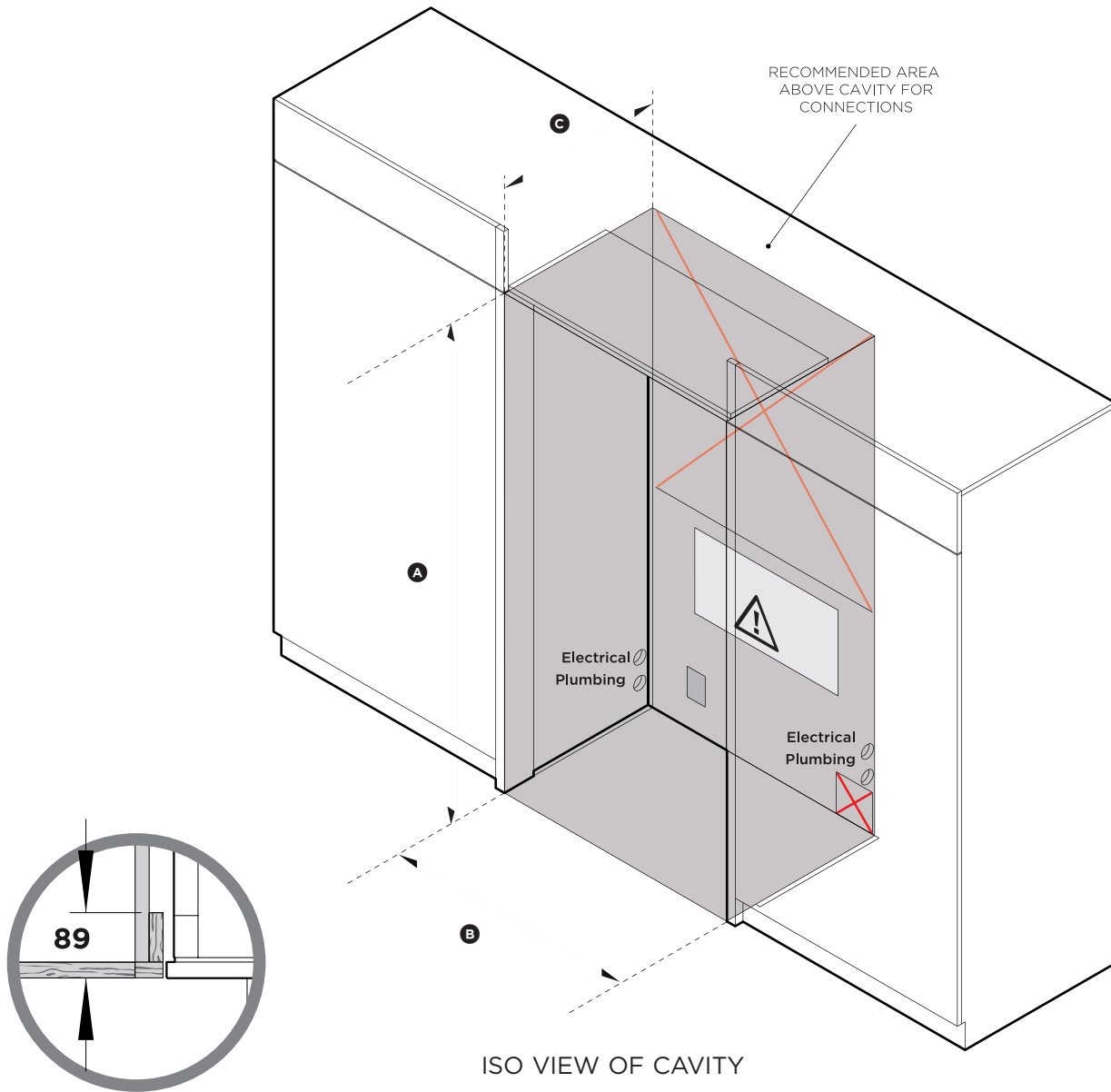
Dwg and Dxf files of the panel preparation are available within the download folder for this product and can be found on <http://thekitchentools.fisherpaykel.com>



BOTTOM PANEL - REAR VIEW

DATE: 14.10.2015

IMPORTANT NOTE: Throughout this guide, dimensions may vary by $\pm 2\text{mm}$ ($3/32''$). Please read the installation manual for detailed information on installing the product. www.fisherpaykel.com



ISO VIEW OF CAVITY

Framed: Finished return, sides and top

CAVITY PREPARATION

36" ActiveSmart™ Built-in Refrigerator

Model no:

RS36A72U1 (with SS Door skin PART NO. RD3672U)

RS36A72J1 (with SS Door skin PART NO. RD3672)

RS36A72J1

Category	mm
Cavity Dimensions	
Ⓐ Overall height of cavity	1829
Ⓑ Overall width of cavity	914
when adjoining cabinetry cannot share 4mm door gap	
Ⓒ Overall depth of cavity	635

Specifications

Electrical

Supply 115 VAC, 60 Hz

Service 10 amp circuit

Plumbing

Supply 1/4" (6mm) PEX hose or copper tubing (to suit local regulations)*

Pressure min 22 psi (150 kPa)
max 120 psi (827 kPa) @ 68°F (20°C)

NOTE: Recommended that the electrical & water connection be located above the fridge cavity. Optional to locate in an adjacent cabinet to either side of the fridge.

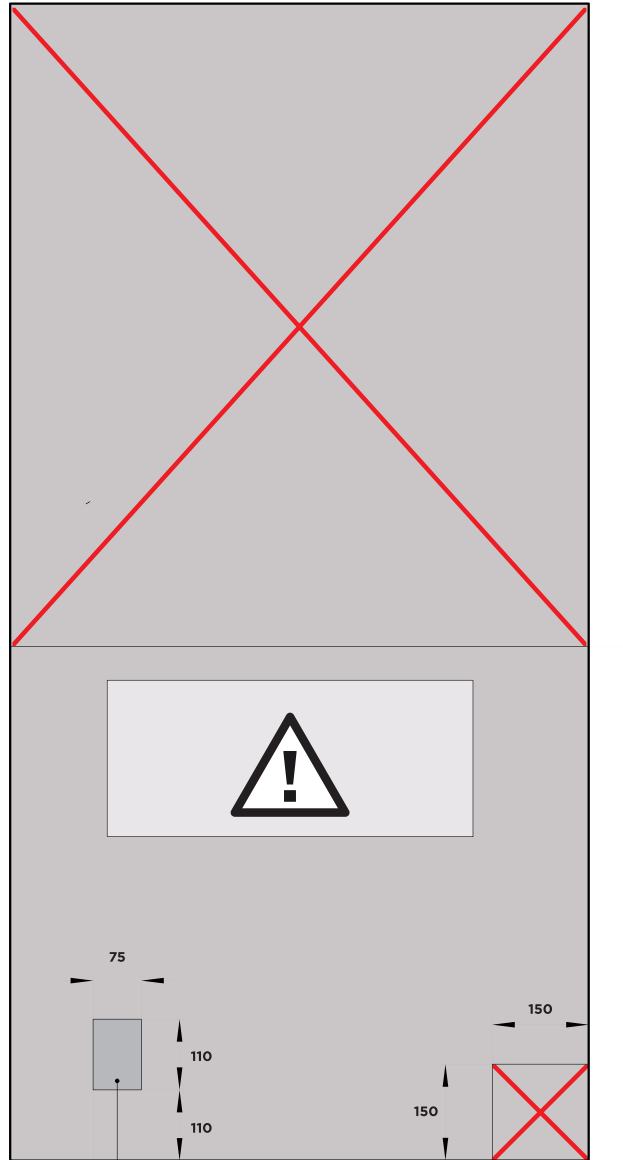
- ✗ Do not locate water or electricity in this area, keep clear of connections.
- ⚠ CAUTION: Central area can only fit electrical plug if it is placed within a recessed cavity.

* Customer to supply.

DATE: 14.10.2015

IMPORTANT NOTE: Throughout this guide, dimensions may vary by ±2mm (3/32"). Please read the installation manual for detailed information on installing the product. www.fisherpaykel.com

LEFT SIDE
OF CAVITY



FLOOR

129

ALTERNATIVE
ELECTRICAL
CONNECTION LOCATION

REAR OF CAVITY

800

CAVITY PREPARATION

36" ActiveSmart™ Built-in Refrigerator

Model no:

RS36A72U1 (with SS Door skin PART NO. RD3672U)

RS36A72J1 (with SS Door skin PART NO. RD3672)

RS36A72J1

Cavity Dimensions	mm
Ⓐ Overall height of cavity	1829
Ⓑ Overall width of cavity	914
when adjoining cabinetry cannot share 4mm door gap	
Ⓒ Overall depth of cavity	635

Specifications

Electrical

Supply 115 VAC, 60 Hz

Service 10 amp circuit

Plumbing

Supply 1/4" (6mm) PEX hose or copper tubing
(to suit local regulations)*

Pressure min 22 psi (150 kPa)
max 120 psi (827 kPa) @ 68°F (20°C)

NOTE: Recommended that the electrical & water connection be located above the fridge cavity. Optional to locate in an adjacent cabinet to either side of the fridge.

✗ Do not locate water or electricity in this area, keep clear of connections.

⚠ CAUTION: Central area can only fit electrical plug if it is placed within a recessed cavity.

* Customer to supply.

DATE: 14.10.2015

IMPORTANT NOTE: Throughout this guide, dimensions may vary by ±2mm (3/32"). Please read the installation manual for detailed information on installing the product. www.fisherpaykel.com

Fisher & Paykel

MAX DISTANCE OF CORD

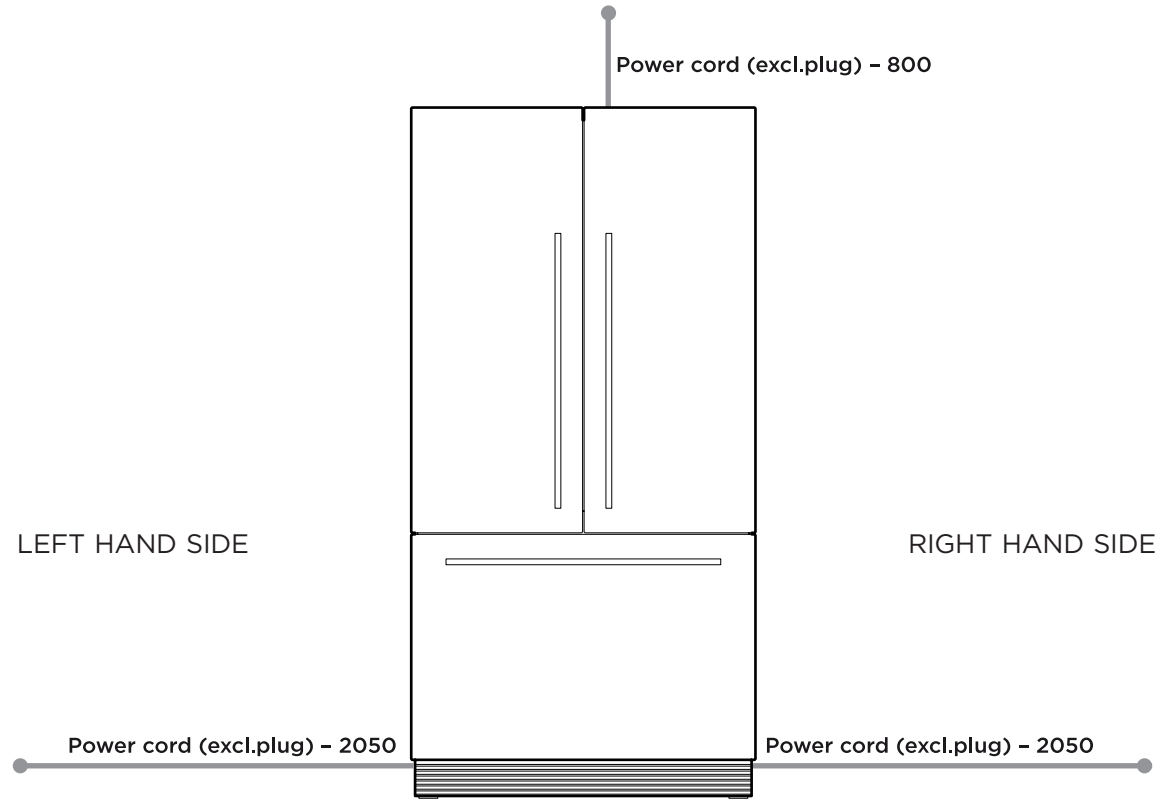
36" ActiveSmart™ Built-in Refrigerator

Model no:

RS36A72U1 (with SS Door skin PART NO. RD3672U)

RS36A72J1 (with SS Door skin PART NO. RD3672)

RS36A72J1



DATE: 14.10.2015

IMPORTANT NOTE: Throughout this guide, dimensions may vary by $\pm 2\text{mm}$ ($3/32''$). Please read the installation manual for detailed information on installing the product. www.fisherpaykel.com

IMPORTANT NOTE: The product dimensions and specifications apply at the date of issue. Under our policy of continuous product improvement, these dimensions and specifications may change at any time. Dimensions may vary by $\pm 3/32''$. Please read the installation manual for detailed information on installing the product or visit fisherpaykel.com.