

Integrated Column Refrigerator, 30"

Series 9 | Integrated

Panel Ready | Right Hinge

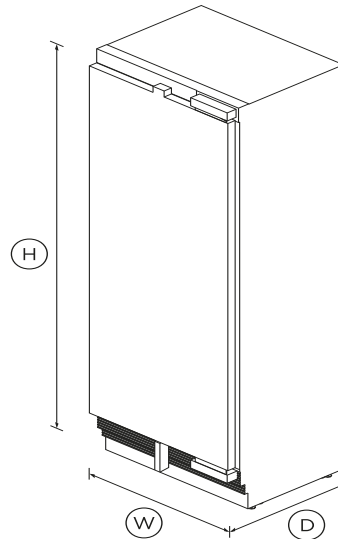


Install it separately or pair with another Column for seamless kitchen integration - this model is right hinge with white interior.

- ActiveSmart™ technology helps keep food fresher for longer by constantly maintaining the ideal temperature.
- Two separate Variable Temperature Zones: each with Fridge, Pantry or Chill
- Customize with your own kitchen cabinetry or purchase our stainless steel door panel accessory

DIMENSIONS

Height	84"
Width	29 3/4"
Depth	24"



FEATURES & BENEFITS

Variable Temperature Zones

Food is stored in two separate zones. You have the choice of three food modes: Fridge 32°F to 44°F, Pantry 52°F to 56°F and Chill 29°F to 32°F.

Mix & match

Integrated Column Refrigeration gives you the freedom to mix and match. Different sized Column Fridges and Freezers can be installed separately or paired. Finish them with our stainless steel door panels or Customize to match your own kitchen cabinetry.

Clever energy

Our Energy Star-certified ActiveSmart™ Refrigerators & Freezers adapt to daily use by cooling and defrosting only when needed. This means your refrigerator uses the energy it needs without compromising on food care.

Appealing illumination

Bright LEDs light up the ceiling, shelves, bins and tray in both refrigerator and freezer, making it easy to find your food and creating a welcoming glow in your kitchen for those midnight snacks.

Design quality

The premium design and quality finish includes a white or stainless steel interior lining, as well as full-extension metal shelf runners for easy access and robust glass shelving.

Easy install

Integrated Column Refrigerators and Freezers have been developed to make their installation easy. The joiner kit is included when pairing refrigerator and freezers. All models come with front adjustable levelling feet and they've been designed to easily slide into place as separate units.

Perfect fit

These models fit flush and have only 1/8" / 3mm gaps around them with no visible hinges or grilles. Our Integrated Column models can be seamlessly hidden behind your cabinetry or you can purchase our stainless steel door panel.

SPECIFICATIONS

Accessories

30" Stainless steel toe kick	AKRS3004
48" Stainless steel toe kick	AKRS4804
54" Stainless steel toe kick	AKRS5404
60" Stainless steel toe kick	AKRS6004
66" Stainless steel toe kick	AKRS6604

72" Stainless steel toe kick	AKRS7204
78" Stainless steel toe kick	AKRS7804
84" Stainless steel toe kick	AKRS8404
Contemporary round handle	AHS-RD84
Contemporary square handle	AHD3-RD84
Hinge change (from left hinge)	848190
Hinge change (from right hinge)	848189
Joiner kit	AJ-RS84LR
Matching Replacement Water	FWC3
Professional round flush handle	AHP3RDSF
Professional round handle kit	AHC-RD84
Professional square handle kit	AHV2-RD84
Square fine aluminium handle	AHD5RDSF
Square fine black handle kit	AHD5RDSFB
Stainless steel door panel	30" Right hinge RD3084R4D

Capacity

Volume	16.3cu ft
Volume refrigerator	16.3cu ft

Consumption

Energy rating	Energy star
Energy usage	247kWh/year

Features

Adjustable door shelves	4
Adjustable glass cantilevered	•
Covered door shelves	1
Door alarm	•
Fruit and vegetable bins	4

LED bin lighting	•
LED ceiling lighting	•
LED side lighting	•
SmartTouch interface at	•
Soft-close fruit and vegetable	•
Stackable bottle holders	4

Performance

ActiveSmart™ technology	•
Dual evaporator	•
Frost free	•
Humidity control system	•
Inverter controlled compressor	•
Sabbath mode	•
Variable food modes	Pantry; Fridge; Chill
Variable temperature zones	2

Power requirements

Rated current	10A
Supply frequency	60Hz
Supply voltage	115V

Product dimensions

Depth	24"
Depth (including handles)	24"
Height	84"
Width	29 3/4"

Warranty

Parts and labor	2 years
-----------------	----------------

Sealed system parts and labor **additional 3 years**

SKU **26129**

The product dimensions and specifications in this page apply to the specific product and model. Under our policy of continuous improvement, these dimensions and specifications may change at any time. You should therefore check with Fisher & Paykel's Customer Care Centre to ensure this page correctly describes the model currently available. ? Fisher & Paykel Appliances Ltd 2020

Other product downloads available at fisherpaykel.com

- [↓](#) User Guide
- [↓](#) User Guide
- [↓](#) Energy Label
- [↓](#) Installation Guide
- [↓](#) Installation Guide
- [↓](#) Installation Guide
- [↓](#) Install Guide - Water Filter Replacement
- [↓](#) Specification Guide Integrated Column Refrigerator
- [↓](#) Data Sheet Integrated Column Refrigerator
- [↓](#) Data Sheet Integrated Column Refrigerator Dual Install (18" + 30")
- [↓](#) Data Sheet Integrated Column Refrigerator Dual Install (24" + 30")
- [↓](#) Data Sheet Integrated Column Refrigerator Dual Install (30" + 30")
- [↓](#) Planning Guide Integrated Column Refrigerator
- [↓](#) Key Purchase Decisions Integrated Column Refrigerator



A PEACE OF MIND SALE

24 Hours 7 Days a Week Customer Support

T 1.888.936.7872 W www.fisherpaykel.com