

RS25H5111SR

24.5 cu. ft. Side-by-Side Refrigerator

Features

- Large Capacity – 24.5 cu. ft.
- External Filtered Water and Ice Dispenser
- LED Lighting
- Twin Cooling Plus®
- ENERGY STAR®-Compliant
- In-Door Ice Maker
- Multi Air Flow
- Six Temperature Sensors
- Power Freeze and Power Cool Options
- Tempered Glass Spill-Proof Shelves
- Two Crisper Drawers
- Gallon Door Bins

Convenience

- Door Alarm
- Water Filter Indicator



ENERGY STAR®-rated: CEE Tier 1
(11% more efficient than Federal Standard)
634 kWh/yr



Side-by-Side Design



External Filtered Water and Ice Dispenser

Available Colors



Stainless Steel
(shown)



Black Stainless Steel



White



Black

Signature Features

FILTERED WATER

- Get great-tasting, filtered water directly from your refrigerator. Spend less time and money buying bottled water.

TWIN COOLING PLUS®

- Keeps food fresher longer – Twin Cooling Plus® humidity levels up to 3.6x higher than single cooling.
- Refrigerator air is kept at higher, near-commercial-grade humidity levels to keep perishable fruits and vegetables fresher longer.
- Drier freezer air means less freezer burn for better-tasting frozen foods.

LED LIGHTING

- Beautifully lights up the interior so you're able to quickly spot what you want.
- Sleek design saves more space than traditional incandescent light bulbs.

SAMSUNG

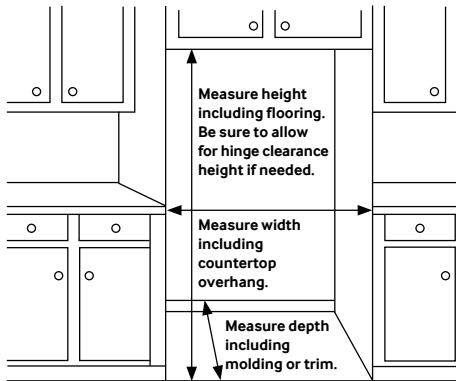
RS25H5111SR

24.5 cu. ft. Side-by-Side Refrigerator

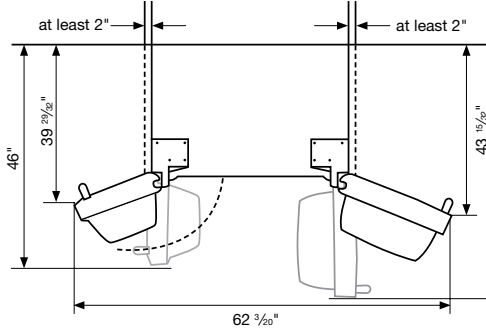
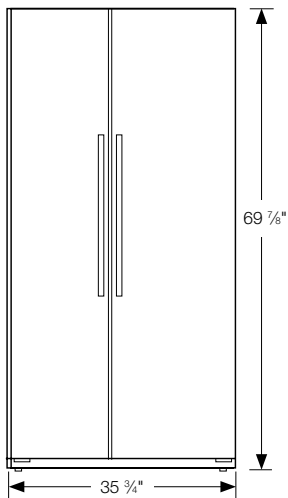
Installing Your Refrigerator

1. Measure the height, width and depth of the opening, making sure to include baseboards, molding tile, countertop overhang, etc. Check to be sure there is enough room to open the door (consider walls, islands or other obstacles when measuring).
2. Refer to illustration below to determine dimensions.
3. Allow 2" of clearance on hinge side of refrigerator when installing next to a wall where handle may make contact.
4. Allow 1" minimum clearance at rear for proper air circulation and water/electrical connections. Allow a 3/8" minimum clearance at sides and top for ease of installation.
5. Ensure each door and entryway in the home is wide enough for the refrigerator to be moved through easily.

Please note: The following dimension and cutout information is for planning purposes only. For complete installation details consult manual packed with product, or download manual online at samsung.com.



Dimensions



Total Capacity: 24.5 cu. ft.

Refrigerator: 15.32 cu. ft.

- Multi Air Flow
- 4 Tempered Glass Spill-Proof Shelves
- 3 Clear Crispers
- 5 Door Bins
 - 2 Gallon Bins
 - 2 Clear Bins
 - 1 Dairy Bin
- LED Lighting

Freezer: 9.18 cu. ft.

- External Filtered Water and Ice Dispenser (Crushed or Cubed Ice)
- Automatic In-Door Ice Maker
- 4 Glass Shelves
- 3 Clear Door Bins
- LED Lighting

Accessories

Water Filter: HAF-CIN

Warranty

One (1) Year Parts and Labor on Refrigerator

Five (5) Years Parts and Labor on Sealed Refrigeration System Only*

*Compressor, evaporator, condenser, drier, connecting tubing.

Product Dimensions & Weight

Dimensions (WxHxD with hinges, handles and doors):

35 3/4" x 69 7/8" x 36 3/16"

Dimensions (WxHxD without hinges and door):

35 3/4" x 68 1/2" x 29 7/16"

Dimensions (WxHxD with hinge and door, no handle):

35 3/4" x 69 7/8" x 33 13/16"

Weight: 278.8 lbs.

Shipping Dimensions & Weight (WxHxD)

Dimensions: 37 3/4" x 78 7/8" x 36 3/16"

Weight: 286.6 lbs.

Color	Model #	UPC Code
Stainless Steel	RS25H5111SR	887276956091
Black Stainless Steel	RS25H5111SG	887276164526
White	RS25H5111WW	887276957197
Black	RS25H5111BC	887276957180

SAMSUNG

Actual color may vary. Design, specifications, and color availability are subject to change without notice. Non-metric weights and measurements are approximate.

©2015 Samsung Electronics America, Inc. 85 Challenger Road, Ridgefield Park, NJ 07660. Tel: 800-SAMSUNG. samsung.com. Samsung is a registered trademark of Samsung Electronics Co. Ltd.