

RNWO127
27-INCH SINGLE WALL OVEN
HERITAGE COLLECTION



GENERAL PROPERTIES

Cooking Modes - Both Cavities
 Pure Convection™ - Convection Bake - Convection Broil - Convection Roast - Bake - Broil

ADDITIONAL FEATURES

Cleaning Type	Self Clean GreenClean™
Rack Positions	7
Convection Type	Pure Convection™
Lighting	Halogen

OVEN PERFORMANCE

Bake Element	3,000W - 8 pass
Broil Element	3,500W - 8 pass
Convection Element	2,200W

CONTROL FEATURES

Delay Time Cooking	Yes
Timed Cooking	Yes
Automatic Hold	Yes
10-Key Pad	Yes
Clock	Yes
Two Timers	Yes
Sabbath Mode	Yes
Child Lock	Yes

ADDITIONAL MODES

Keep Warm	Yes
Proof	Yes
Dehydrate	Yes
Temperature Probe	Yes

TECHNICAL DETAILS

Circuit Breaker (A)	50
Volts (V)	240
Frequency (Hz)	60
Energy Source	Electric

DIMENSIONS & WEIGHT

Appliance Dimensions (H x W x D) (in.)	27 3/4" x 26 7/8" x 24"
Required Cutout Size (H x W x D) (in.)	26 3/4" x 25 5/8" x 24"
Oven Capacity (cubic feet)	4.5

WARRANTY

Limited, Parts and Labor	1 Year
--------------------------	--------

AVAILABLE MODELS

- RNWO127ES - Renaissance 27" Single Wall Oven - Stainless Steel with Epicure Style Handle
- RNWO127PS - Renaissance 27" Single Wall Oven - Stainless Steel with Pro Style Handle
- RNWO127FS - Renaissance 27" Single Wall Oven - Stainless Steel with Flush Handle
- RNWO127EB - Renaissance 27" Single Wall Oven - Black Glass with Epicure Style Black Handle
- RNWO127PB - Renaissance 27" Single Wall Oven - Black Glass with Pro Style Stainless Steel Handle
- RNWO127EC - Renaissance 27" Single Wall Oven - DacorMatch Color System with Epicure Style Color Matching Handle
- RNWO127PC Renaissance 27" Single Wall Oven - DacorMatch Color System with Pro Style Color Matching Handle (End Caps in Stainless Steel)
- RNWO127FC - Renaissance 27" Single Wall Oven - DacorMatch Color System with Flush Handle

FEATURES & BENEFITS

- Four-Part Pure Convection System provides superior heat distribution, and eliminates flavor transfer.
- RapdiHeat™ Broil Element uses an 8-pass radiant ribbon element to broil food quickly and evenly.
- 4.5 cu. ft. oven capacity.
- 7 rack positions for multi-rack cooking.
- SoftShut™ doors.
- GlideRacks
- Self-Cleaning mode.
- Sabbath mode.

ACCESSORIES (Included)

GlideRack™	2
Standard Rack	1
Temperature Probe	1

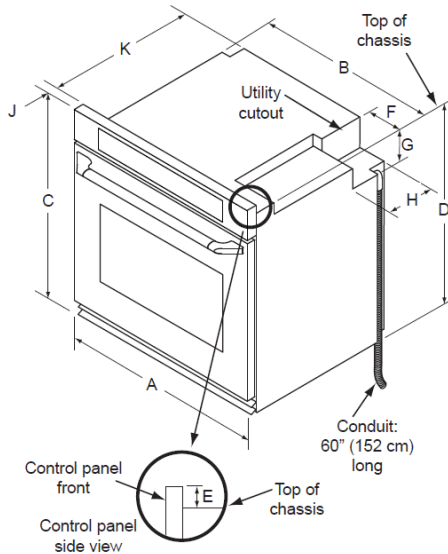
ACCESSORIES (Optional)

Cookie Sheets (set of 3)	ACSRO273
Broil-Roasting Pan Set	AORPVR
Pizza Stone	ABS16

RNWO127
27-INCH SINGLE WALL OVEN
 HERITAGE COLLECTION



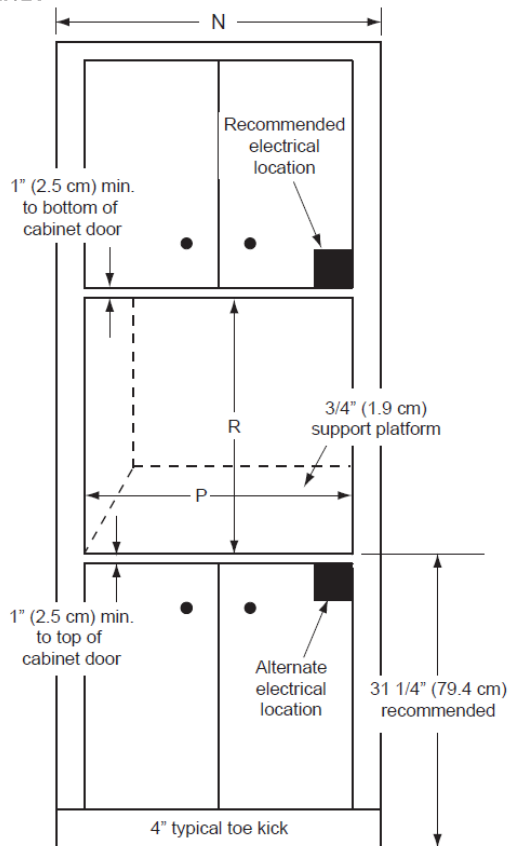
APPLIANCE DIMENSIONS



	27"	
A	26 7/8" (68.3 cm)	Width (Face)
B	25 1/2" (64.8 cm)	Width (Chassis)
C	27 3/4" (70.5 cm)	Height (Overall)
D	26 5/8" (67.6 cm)	Height (Chassis)
E	1 1/8" (2.9 cm)	Top of Chassis to Top of Control Panel
F	6 1/2" (16.5 cm)	Utility Cutout (Width)
G	5" (12.7 cm)	Utility Cutout (Height)
H	7 7/8" (20.0 cm)	Utility Cutout (Depth)
J	1 1/4" (3.2 cm)	Control Panel (Depth)
K	23 1/2" (59.7 cm)	Depth (Chassis)

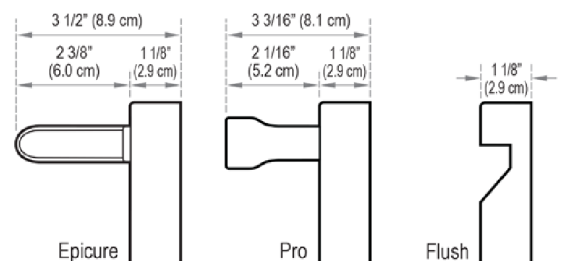
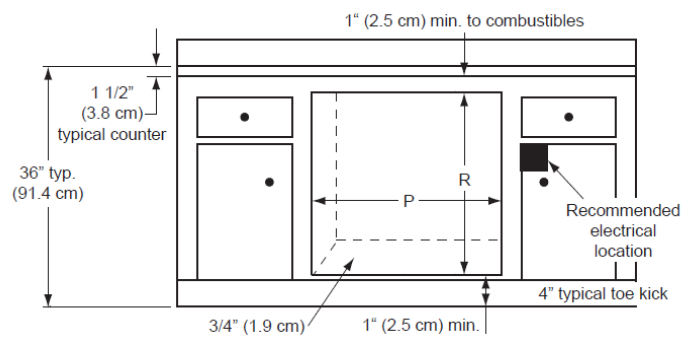
INSTALLATION CUTOUT DIMENSIONS

WALL CABINET



CABINET	INSTALL DIMENSION
N	27" (68.6 cm)
P	Min. 25 5/8" (65.1 cm) - recommended Max. 26 1/8" (66.4 cm)
R	Min. 26 3/4" (67.9 cm) - recommended Max. 27 1/2" (69.9 cm)

UNDERCOUNTER



Handle Dimensions

All tolerances: $\pm 1/16$ (± 1.6 mm), unless otherwise stated.