

RNRP36G, RNRP48G



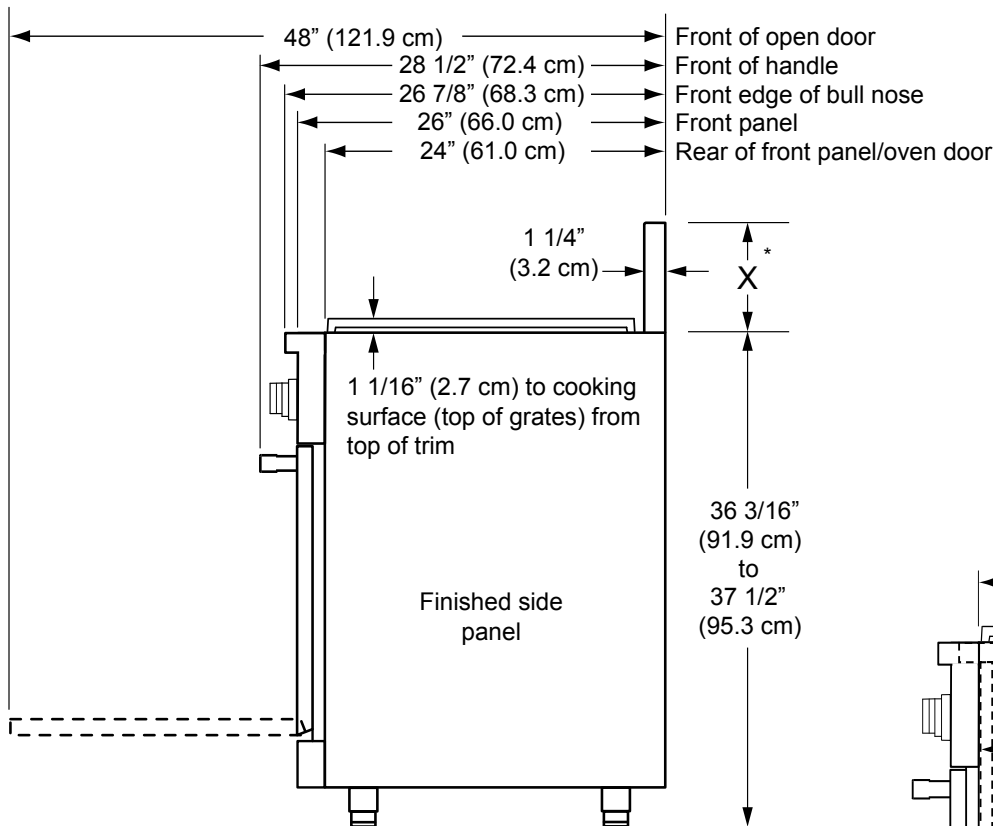
Renaissance® 36" and 48" Wide All Gas Ranges

PLANNING GUIDE

⚠ WARNING

- Observe all governing codes and ordinances during planning and installation. Contact your local building department for further information.
- This appliance must be installed in accordance with the accompanying installation instructions.

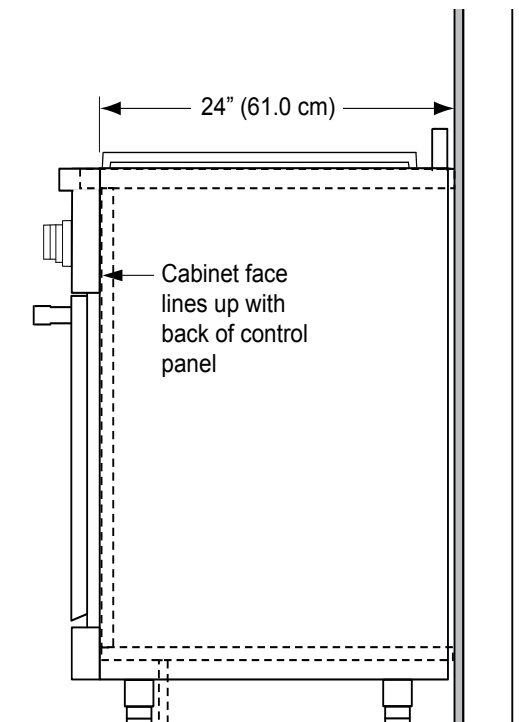
All tolerances $\pm 1/16"$ (± 1.6 mm) unless otherwise noted.



Width: RNRP36G - 35 7/8" (91.1 cm)
RNRP48G - 47 7/8" (121.6 cm)

* The backguard is available in two heights; 3 inches (standard) and 9 inches (optional).

DIMENSIONS (SIDE VIEW)



INSTALLED DIMENSIONS WITHOUT DOWNDRAFT VENT (SIDE VIEW)



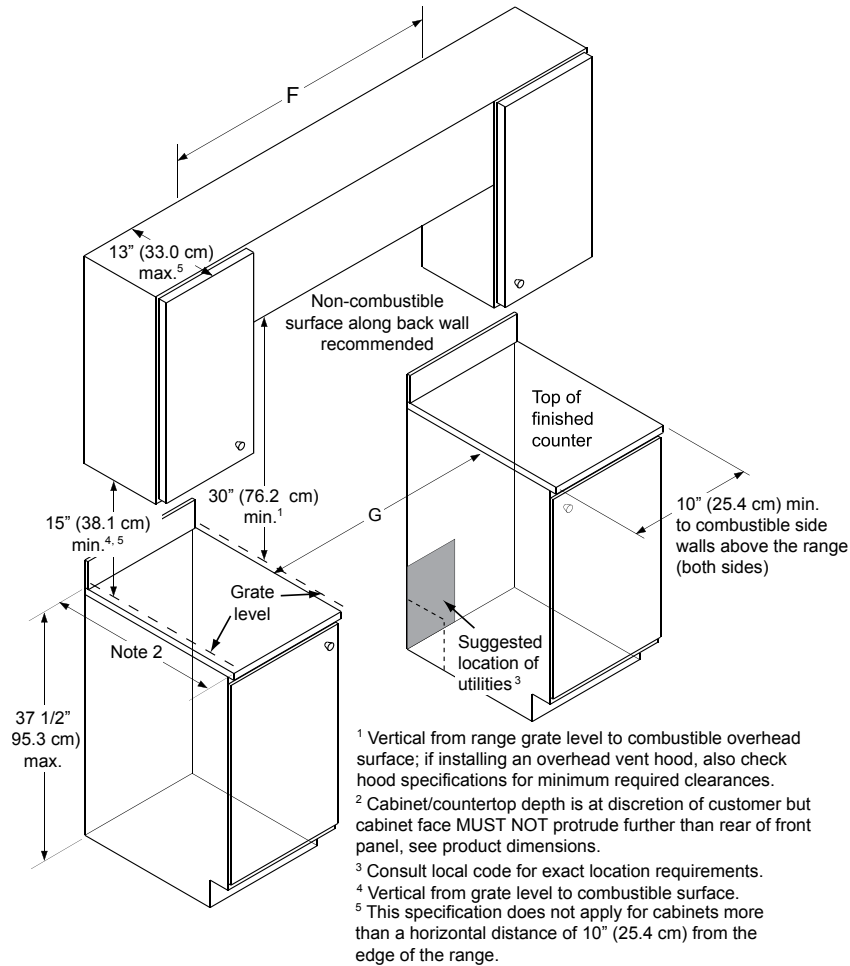
RNRP36G, RNRP48G



Renaissance 36" and 48" Wide All Gas Ranges

PLANNING GUIDE

All tolerances +1/16" (+1.6 mm) -0 unless otherwise noted.



MINIMUM CABINET CLEARANCES

Range Model	F	G	H
RNRP36G	42" (106.7 cm)* 36" (91.4 cm)**	36" (91.4 cm)**	33 1/2" (84.8 cm)
RNRP48G	54" (137.2 cm)* 48" (121.9 cm)**	48" (121.9 cm)**	43 1/2" (110.2 cm)
* Recommended ** Minimum			

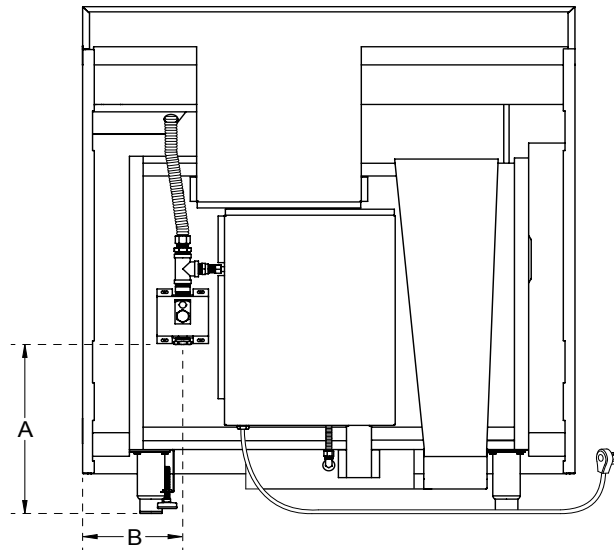
RNRP36G, RNRP48G



Renaissance 36" and 48" Wide All Gas Ranges

PLANNING GUIDE

ELECTRICAL AND GAS REQUIREMENTS



BACK OF RANGE

Range Model	A	B
RNRP36G	13 1/16" to 14 3/8" (33.2 to 36.5 cm)	7 5/16" (18.6 cm)
RNRP48G	13 1/16" to 14 3/8" (33.2 to 36.5 cm)	4 1/4" (10.8 cm)

ELECTRICAL REQUIREMENTS	
Electrical Circuit Required	Total Connected Load
120 Vac, 60 Hz, 15 Amp. grounded, dedicated, 3 prong electrical outlet	5.0 Amps. @120 Vac, 60 Hz,

GAS SUPPLY PRESSURE REQUIREMENTS			
Gas Type	Manifold Pressure* (WC)	Min. Gas Supply Pressure (WC)	Max. Input Pressure
Natural	5"	6"	1/2 psi
LP	10"	11"	1/2 psi

IMPORTANT: The information above is for reference only. If the above data does not agree with the product data label, use the data on the product data label on top of the kick plate below the door (see the installation instructions for location).

The range comes from the factory with the regulator installed. Use only the installed regulator. The regulator inlet accommodates a 3/4" gas line. The range ships with a 1/2" to 3/4" adapter connected to the regulator.