

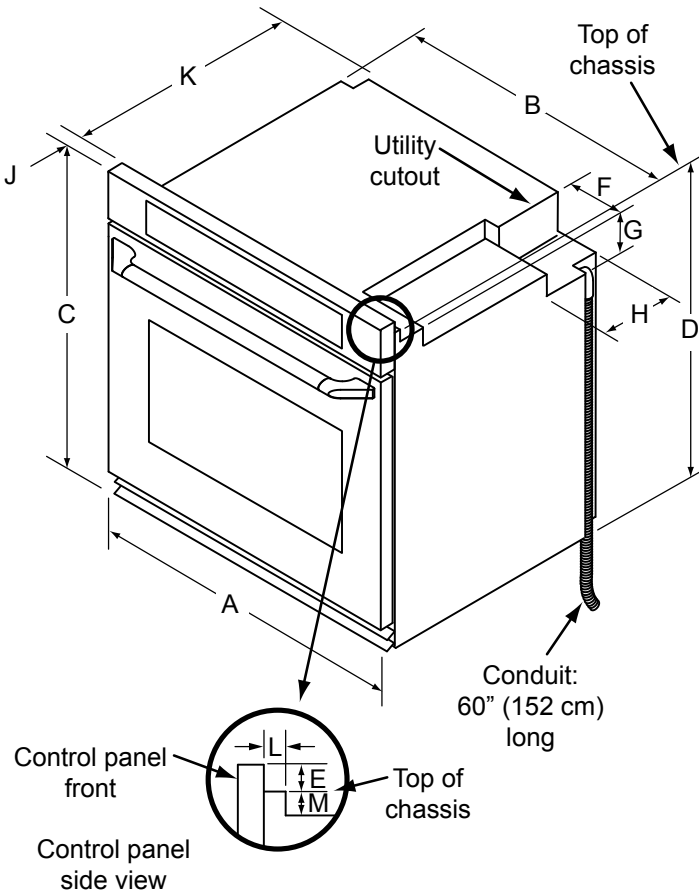
# RNO, RNOV



## Renaissance® 27" and 30" Wide Single Wall Ovens

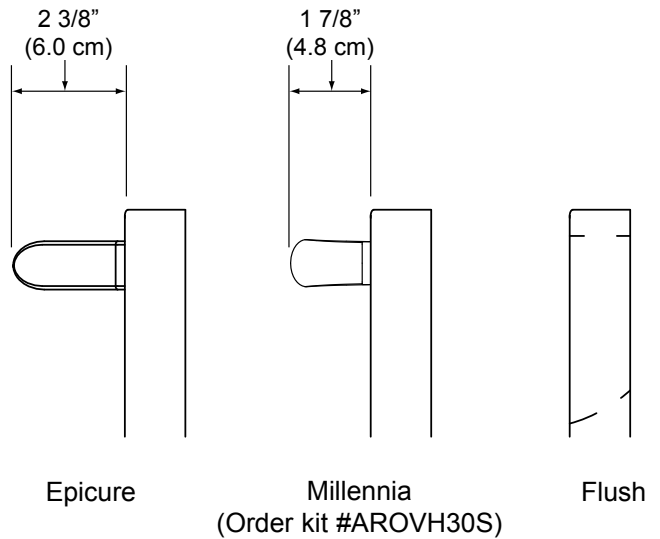
## PLANNING GUIDE

Product tolerances: ±1/16" (±1.6 mm) unless otherwise stated

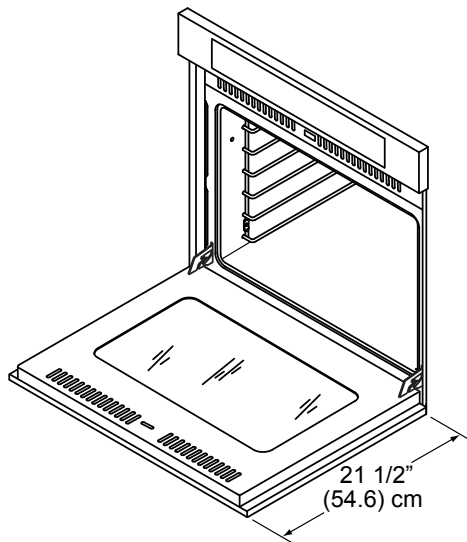


### ⚠ WARNING

- Observe all governing codes and ordinances during planning and installation. Contact your local building department for further information.
- This appliance must be installed in accordance with the accompanying installation instructions.



### Handle Dimensions



### ELECTRICAL SPECIFICATIONS

Model	Dedicated Circuit Requirements	Total Connected Load
RNO[V]127	240 Vac 60 Hz., 4-wire,*** 30 Amp.	240 Vac 60 Hz, 19.0 Amp., 4.7 kW
RNO[V]130	240 Vac 60 Hz., 4-wire,*** 30 Amp.	240 Vac 60 Hz, 24.5 Amp., 6.0 kW

\*\*\* Two 120 Vac hot (L1 and L2), one neutral, one ground

The above specifications are for reference only. See the appliance data plate for exact specifications.

Model	(A) Overall Width	(B) Chassis Width	(C) Overall Height	(D)* Chassis Height	(E) Control Panel Overlay
RNO[V]127	26 7/8" (68.3 cm)	25 3/8" (64.5 cm)	27 3/4" (70.5 cm)	27 3/8" (69.5 cm)	3/8" (1.0 cm)
RNO[V]130	29 7/8" (75.9 cm)	28 3/8" (72.1 cm)	27 3/4" (70.5 cm)	27 3/8" (69.5 cm)	3/8" (1.0 cm)

\* To top of chassis notch behind control panel

(F) Utility Cutout Width	(G) Utility Cutout Height	(H) Utility Cutout Depth	(J) Control Panel Depth	(K) Chassis Depth	(L) Control Panel Notch Depth	(M) Notch Height
6 1/2" (16.5 cm)	5" (12.7 cm)	7 7/8" (20.0 cm)	3/4" (1.9 cm)	24" (61.0 cm)	1/2" (1.3 cm)	3/4" (1.9 cm)



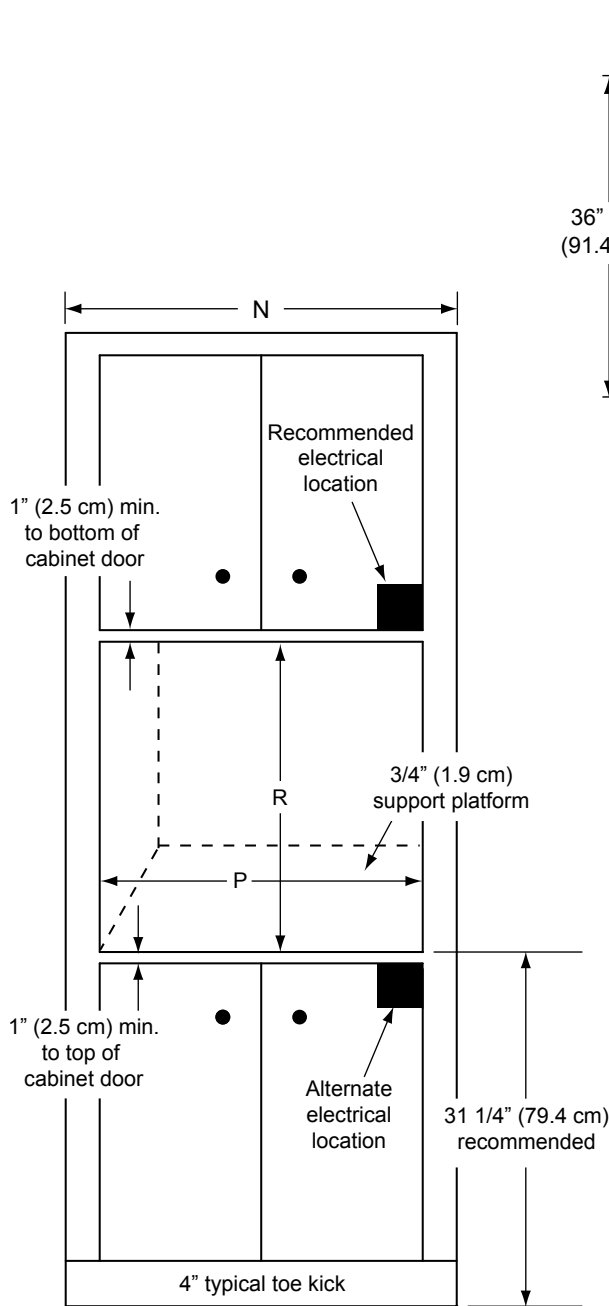
# RNO, RNOV



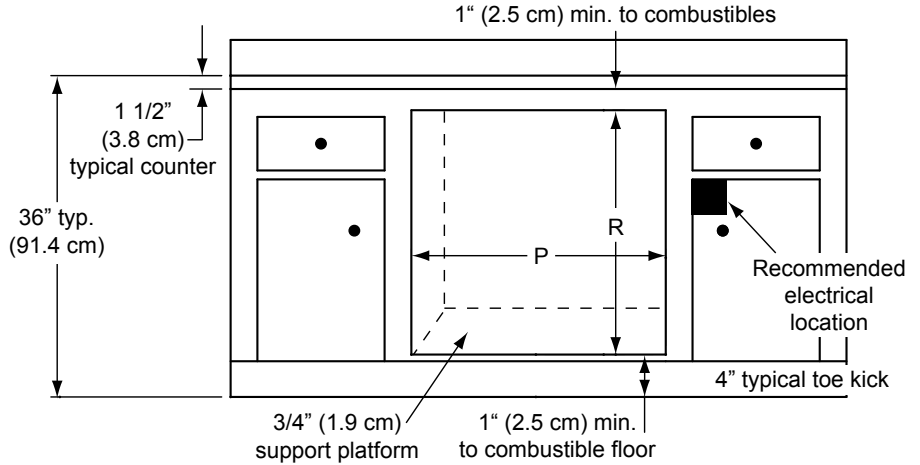
## Renaissance 27" and 30" Wide, Single Wall Oven

## PLANNING GUIDE

Cabinet tolerances: +1/16" (+1.6 mm) -0, unless otherwise stated



**SINGLE WALL OVEN - CUTOUT DIMENSIONS**



**SINGLE WALL OVEN - INSTALLED UNDER COUNTER**

Minimum interior cabinet depth: 24" (61.0 cm)

Model	(N) Minimum Cabinet Width	(P) Cut Out Width	(R) Minimum Cutout Height
RNO[V]127	27" (68.6 cm)	25 1/2" (64.8 cm) minimum (recommended) 26 1/8" (66.4 cm) maximum	27 1/2" (69.9 cm)
RNO[V]130	30" (76.2 cm)	28 1/2" (72.4 cm) minimum (recommended) 29 1/8" (74.0 cm) maximum	27 1/2" (69.9 cm)