

RNCT304, RNCT365



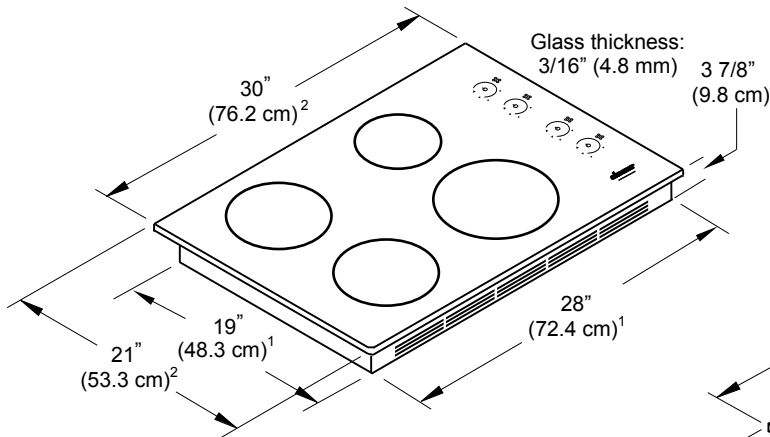
Renaissance® 30" and 36" Wide, Electric Induction Cooktops

PLANNING GUIDE

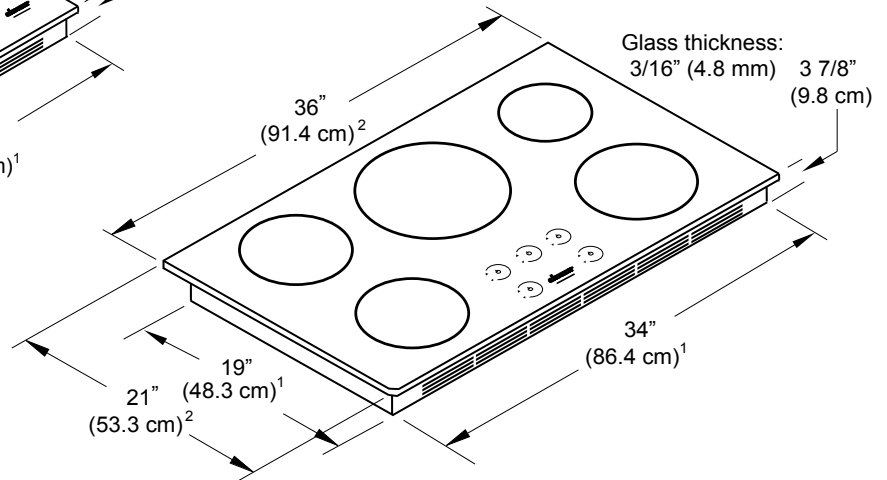
WARNING

- Observe all governing codes and ordinances during planning and installation. Contact your local building department for further information.
- This appliance must be installed in accordance with the accompanying installation instructions.

Product tolerances: $\pm 1/16"$ (± 1.6 mm) unless otherwise noted



PRODUCT DIMENSIONS - RNCT304



PRODUCT DIMENSIONS - RNCT365

¹ Chassis depth is 1/2" wider/deeper at base of glass cooking surface assembly.

² Cooking surface overhangs top of chassis by 3/4" (1.9 cm) in front, back and on both sides.

Model No.	Total Connected Load*	Dedicated Circuit Requirement
RNCT304	31.0 Amp. 7.44 kW	240 Vac, 60 Hz. 3 wire** 40 Amp.
RNCT365	44.0 Amp. 10.56 kW	240 Vac, 60 Hz. 3 wire** 50 Amp.

* These specifications are for reference only. See the product data label for exact specifications.

** Two 120 Vac hot (L1 and L2) and one ground (all copper).

ELECTRICAL SUPPLY REQUIREMENTS

RNCT304, RNCT365



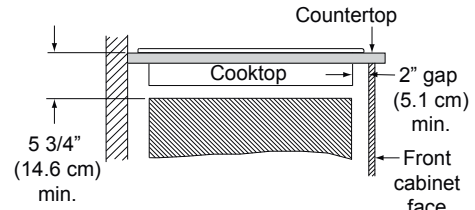
Renaissance 30" and 36" Wide, Electric Induction Cooktops

PLANNING GUIDE

Cabinet tolerances: +1/16" (+1.6 mm), -0 unless otherwise stated

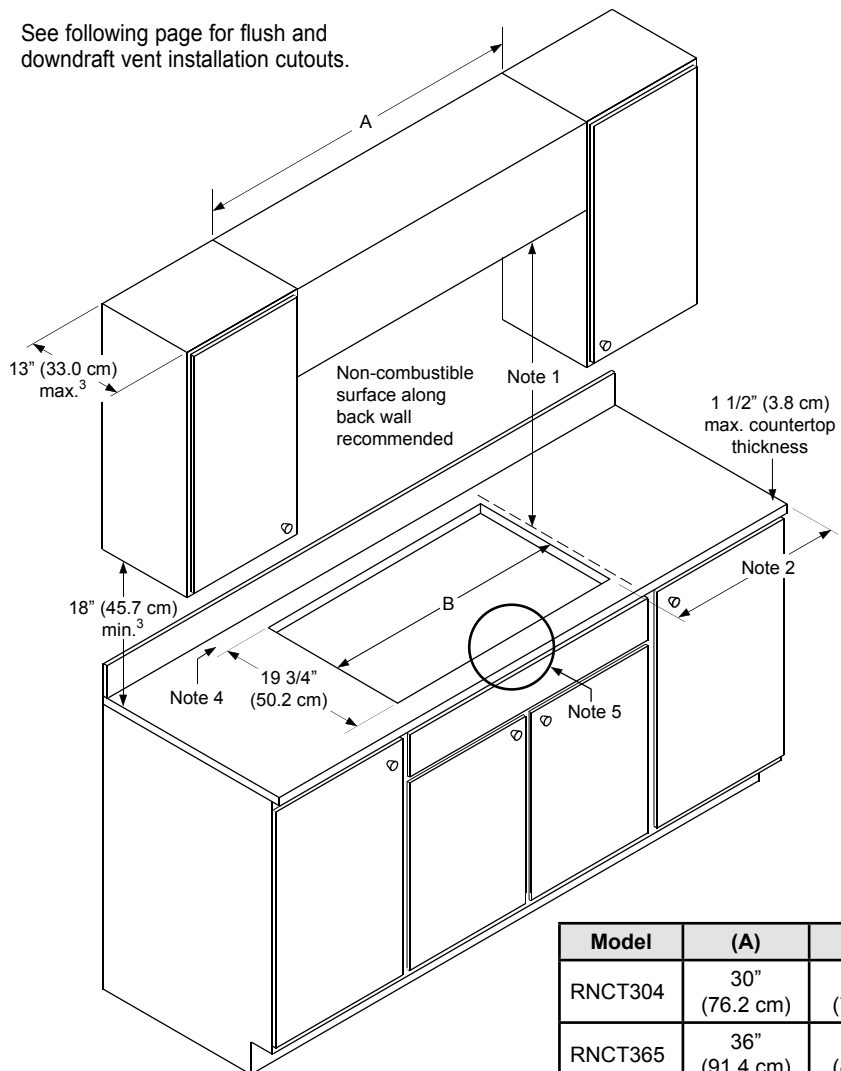
- To reduce the risk of personal injury caused by reaching over a hot appliance, cabinet storage space located directly above the cooktop should be avoided. If cabinet storage is to be provided, the risk can be reduced by installing a range hood.
- Locate the junction box within reach of the included 48 inch long (122 cm) cooktop power conduit attached at the bottom right rear of the chassis. Make sure the underside of the cooktop and the junction box are accessible for inspection/service.
- To reduce the risk of personal injury and to reduce accumulated smoke in the room, Dacor strongly recommends installing a range hood. Install the range hood according to the accompanying installation instructions. A range hood should cover the entire cooking surface below and project horizontally a minimum of 5 inches beyond the bottom of overhead cabinets.
- Always consult the countertop manufacturer for specific installation instruction or requirements. NOTE: The countertop opening must accept square corners of the cooktop.
- Some installations may require the installation of fire retardant materials (see notes below).
- Flame retardant materials bear the mark:
 UNDERWRITERS LABORATORIES INC.
 CLASSIFIED
 MINERAL AND FIBER BOARDS.
 SURFACE BURNING CHARACTERISTICS
 This mark is followed by the flame spread and smoke ratings. These designations are shown as "FHC (Flame Spread)/(Smoke Developed)". Material with "0" flame spread rating are flame retardant. Local codes may allow other flame spread ratings.
- If the cooktop chassis is completely enclosed, provide ventilation of 7 square inches minimum into the enclosure.

To allow for ventilation, maintain a minimum of 5 3/4" (14.6 cm) clearance between the top of the counter and ANY surface below, including the upper edge of any drawers below. Also maintain a clearance of 2" (5.1 cm) between the vents on the front of the chassis and the cabinet.



UNDER COUNTER CLEARANCE

See following page for flush and downdraft vent installation cutouts.



Model	(A)	(B)
RNCT304	30" (76.2 cm)	28 3/4" (73.0 cm)
RNCT365	36" (91.4 cm)	34 3/4" (88.3 cm)

CABINET CUTOUT DIMENSIONS

¹ 30 inches minimum clearance between the top of the cooking surface and the bottom of an unprotected wood or metal cabinet or A = 24 inches minimum when the bottom of wood or metal cabinet is protected by not less than 1/4 inch thick flame retardant material covered with not less than #28 gage sheet steel, .015 inch thick stainless steel, .024 inch thick aluminum, or .020 inch thick copper.
² Distance to combustible side wall (both sides): 2 7/8" (7.3 cm) min. from edge of cutout, 2 1/4" (5.7 cm) min. from edge of cooking surface.
³ This specification not applicable for cabinets more than a horizontal distance of 2 1/4" (5.7 cm) from edge of cooktop, when installed.
⁴ 1 1/8" (2.9 cm) min. to combustible surface to rear. 3/4" (1.9 cm) min. to non-combustible surface to rear.
⁵ Make sure proper internal spacing is maintained to allow for under-cabinet (chassis) ventilation. See diagram above.

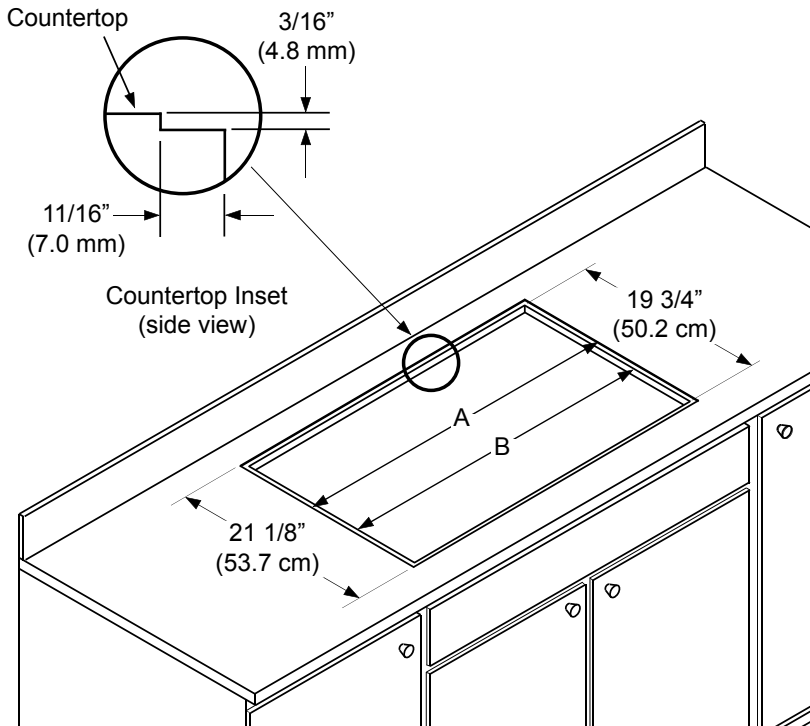
RNCT304, RNCT365



Renaissance 30" and 36" Wide, Electric Induction Cooktops

PLANNING GUIDE

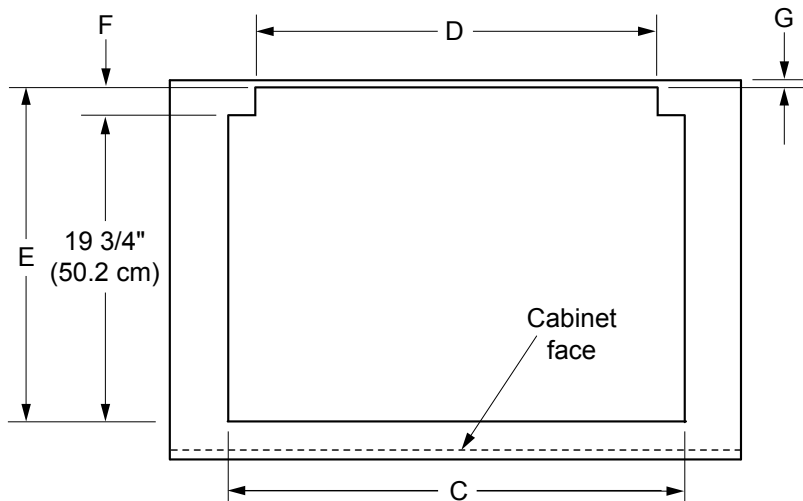
Cabinet tolerances: +1/16" (+1.6 mm), -0 unless otherwise stated



IMPORTANT: See previous page for minimum clearances to combustibles and overhead cabinets.

Model	(A)	(B)
RNCT304	30 1/8" (76.5 cm)	28 3/4" (73.0 cm)
RNCT365	36 1/8" (91.8 cm)	34 3/4" (88.3 cm)

FLUSH INSTALLATION CUTOUT DIMENSIONS (COOKING SURFACE EVEN WITH COUNTERTOP)



IMPORTANT:

- See previous page for minimum clearances to combustibles and overhead cabinets.
- Install only the downdraft vent models specified in the table below.
- If installing the cooktop and downdraft vent flush to the countertop, use the countertop inset dimensions shown above for the cooktop. The countertop inset for the downdraft vent will need to be lower to accommodate the top cap, which is different from model to model. Determine the inset depth from the product dimensions in the downdraft vent installation instructions. Additional sealing will be required between the cooktop chassis and the downdraft vent due to the difference in inset depth required.

Model/Configuration	(C) Cooktop Cutout Width	(D) Vent Cutout Width	(E) Total Cutout Depth	(F) Vent Cutout Depth	(G) Minimum Rear Countertop Overhang
RNCT304 with ERV30[15]/PRV30 downdraft vent	28 3/4" (73.0 cm)	27 3/4" (70.5 cm)	22 1/2" (57.2 cm)	2 3/4" (7.0 cm)	3/8" (1.0 cm)
RNCT304 with RV30 downdraft vent			22 1/4" (56.5 cm)	2 1/2" (6.4 cm)	5/8" (1.6 cm)
RNCT365 with ERV36[15]/PRV36 downdraft vent	34 3/4" (88.3 cm)	33 3/4" (85.7 cm)	22 1/2" (57.2 cm)	2 3/4" (7.0 cm)	3/8" (1.0 cm)
RNCT365 with RV36 downdraft vent			22 1/4" (56.5 cm)	2 1/2" (6.4 cm)	5/8" (1.6 cm)

RNCT COOKTOP WITH DOWNDRAFT VENT CUTOUT DIMENSIONS (TOP VIEW)