

PREMIERE REFLECTION SERIES

Topmount Single Bowl Model RMS-2522



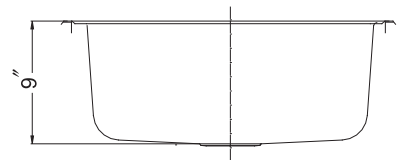
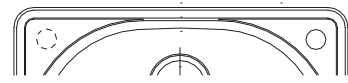
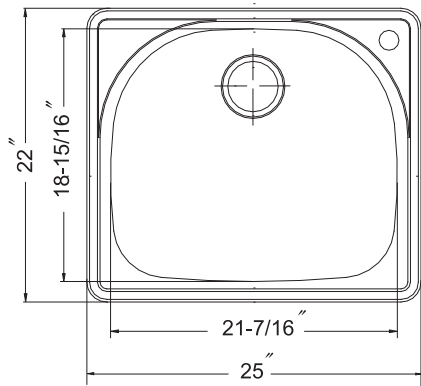
RMS-2522

FEATURES

- Premium grade T-304 stainless steel
- 9" & 5-1/2" depth • 18 gauge
- 1 hole standard, optional 2 holes
- StoneGuard™ undercoating over Super-Silencer pad
- Mirror finished ledge
- Fits 36" sink base • 3-1/2" drain opening
- Supplied with fasteners and instructions
- Complies with ASME A112.19.3-2000, UPC®
- Lifetime Limited Warranty



ASME A112.19.3-2000



OPTIONAL ACCESSORIES

Bottom Grid: BG-2400

Cutting Board : CB-2400

Rinsing Basket: RB-2400

Strainer: 190-9180

OVERALL DIMENSIONS	EACH BOWL	CUTOUT SIZE	PACKAGING*	WEIGHT*
25" x 22"	21-7/16" x 18-15/16"	24-1/4" x 21-1/4"	1/16/20pcs.	18/300/340 lbs.

*Standard packaging: Single boxed /Pallet of single boxed/Pallet of bulk pack.
All dimensions are in inches. Specifications subject to change without notice.

Project/Job name _____

Architect/Engineer _____

Contractor _____

Model _____ Q'ty _____

Notes _____

Installation profile

