

## PREMIERE REFLECTION SERIES

### Topmount 70/30 Double Bowl

Model **RMC-3322SR** as shown

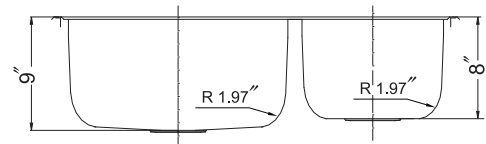
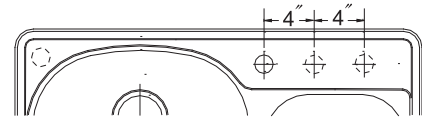
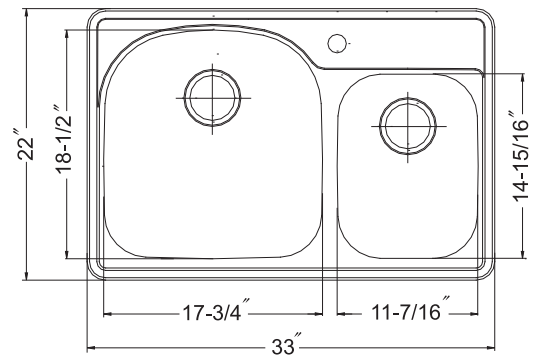
**RMC-3322SL** small bowl left



RMC-3322SR

### FEATURES

- Premium grade T-304 stainless steel
- 9" & 8" depth • 18 gauge
- 1 hole standard, optional 2, 3, or 4 holes
- StoneGuard™ undercoating over Super-Silencer pad
- Mirror finished ledge
- Fits 36" sink base • 3-1/2" drain opening
- Supplied with fasteners and instructions
- Complies with ASME A112.19.3-2000, UPC®
- Lifetime Limited Warranty



### OPTIONAL ACCESSORIES

Bottom Grid: BG-1400 & BG-3200      Colander : CL-1420  
 Cutting Board : CB-3200                      Strainer: 190-9180

OVERALL DIMENSIONS	EACH BOWL	CUTOUT SIZE	PACKAGING*	WEIGHT*
33" x 22"	17-3/4" x 18-1/2" 11-1/16" x 14-15/16"	32-1/4" x 21-1/4"	1/14/12 pcs.	25/400/300 lbs.

\*Standard packaging: Single boxed /Pallet of single boxed/Pallet of bulk pack.  
 All dimensions are in inches. Specifications subject to change without notice.

Project/Job name \_\_\_\_\_

Architect/Engineer \_\_\_\_\_

Contractor \_\_\_\_\_

Model \_\_\_\_\_ Q'ty \_\_\_\_\_

Notes \_\_\_\_\_

### Installation profile

