

Glass & Stainless Canopy Hood

RH36WCT6GS



Wave-Touch™ Control Panel Technology

A simple touch, anywhere on the panel, lights controls and provides access to all functions. This allows easy programming while keeping activated functions lighted for easy monitoring.



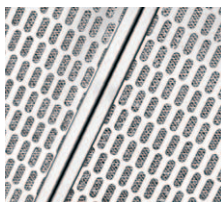
600 CFMs / 4-Speed Fan

Features a powerful 4-speed dual centrifugal fan supplying 600 CFM of air movement. Effectively and quietly removes smoke, vapors and smells from the kitchen.



Dual Halogen Lights

Dual halogen lights provide ample illumination of the cooking surface below with lights located at two different levels.



Washable Stainless Steel Filters

Saturated filters can be rinsed and cycled through the dishwasher. The stainless steel filter provides strength and durability not found in foam filters.

36" WALL-MOUNT VENT HOOD

FEATURES

Nominal Width	36"
Installation Type	Wall Mount
Style	Stainless Steel/ Glass Canopy
Intelligent Heat Sensor	Yes
Air Discharge	Vertical
Air Delivery (CFM)	600
Blower Type	Dual Centrifugal
Wave-Touch™ Electronic Controls	Yes
Fan Speeds	4
Sound Level (dBA)	73.8
Dual Halogen Lights	Yes
Washable Stainless Steel Filters	Yes
Exhaust Duct	Convertible*
Duct Required	6" Round

ACCESSORIES

Charcoal Filter – PN# CF40EC	Optional
Duct-Free Kit – PN# DFKTWC75GS	Optional
Flue Extension – 35-7/16" PN# EXWC75GS	Optional

SPECIFICATIONS

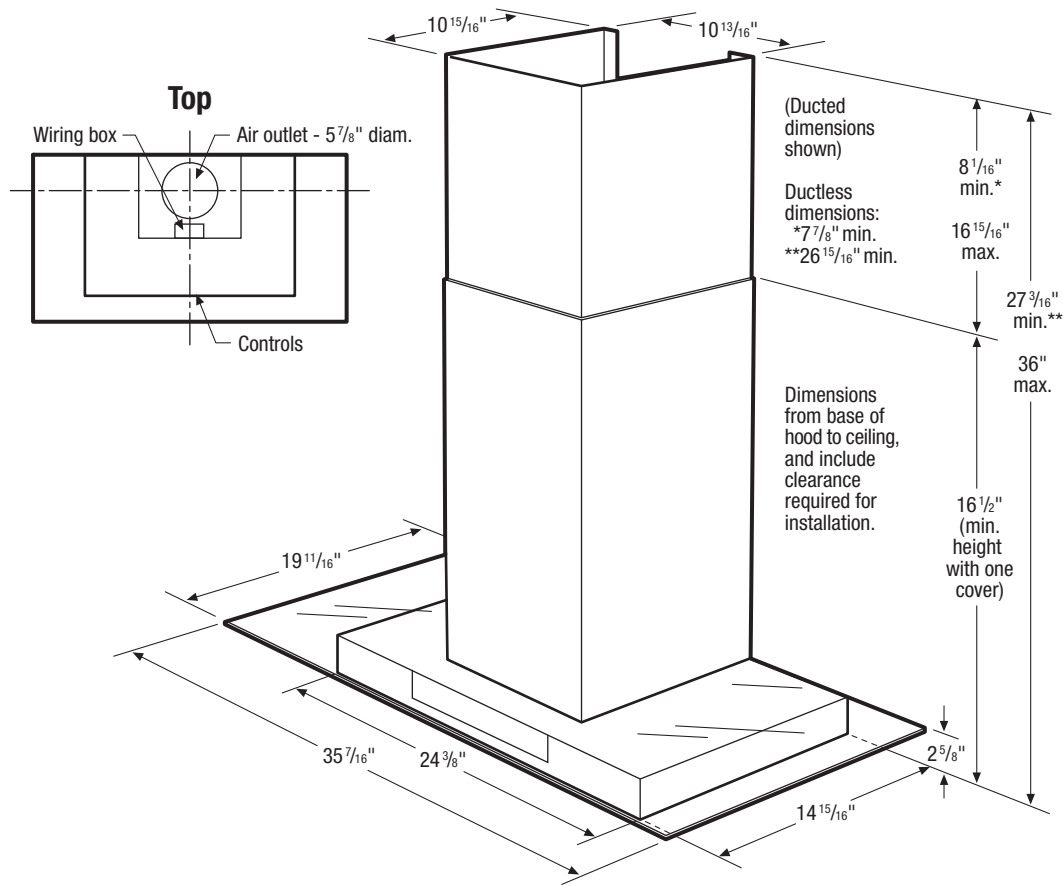
Overall Exterior Dimensions –	
Width	35-7/16"
Height (With One Cover) (With Flue Extension)	16-1/2" min. 27-3/16" min. 36" max.
Depth	19-11/16
Voltage Rating	120V/60Hz/15A
Connected Load (kW Rating) @ 120 Volts‡	0.46
Shipping Weight (Approx.)	61 Lbs.
Sones Rating	9.5

* Ventilation is convertible to be either ducted outside, or recirculated inside requiring no ducting. (Recirculated option requires use of optional Duct-Free Kit.)

‡ For use on adequately wired 120V, dedicated circuit having 2-wire service with a separate ground wire. Appliance must be grounded for safe operation.

NOTE: Always consult local and/or national electric codes. Check local building codes for installation requirements, as they may vary per locale. Refer to Product Installation Guide for detailed installation instructions on the web at electroluxicon.com.

Specifications subject to change.



36" Glass & Stainless Canopy Hood

- Product Weight – 49 Lbs.
- Wall-Mount Installation
- Ventilation is convertible to be either ducted outside, or recirculated inside requiring no ducting.
- Sones Rating – 9.5
- Voltage Rating – 120V/60 Hz/15 Amps
- Connected Load (kW Rating) @ 120 Volts = 0.46kW
(For use on adequately wired 120V, dedicated circuit having 2-wire service with a separate ground wire. Appliance must be grounded for safe operation.)
- Amps @ 120 Volts = 3.93 Amps
- Always consult local and/or national electric codes. Check local building codes for installation requirements, as they may vary per locale.
- For most efficient operation, position hood low to cooktop. Recommended installation is 30" - 36" above countertop.

Ducted Option Specifications

- For outside ventilation only.
- Exhaust Duct Required – 6" round
- For most efficient airflow exhaust, use a straight run or as few elbows as possible.

- Use metallic flex ducting only to connect rigid duct directly to transitions (if allowed by code).
- Thermal breaks such as short section of nonmetallic duct, should be used in areas of extreme cold.
- Cold weather installations should have additional backdraft damper installed.
- Refer to web for detailed duct preparation installation instructions.

Ductless (Recirculated) Option Specifications

- If ducting to outside is not an option, vent hood can be converted to ductless with use of optional Duct-Free Kit (PN# DFKTWC75GS).
- Refer to web for detailed convertible ventilation installation instructions.

Note: For planning purposes only. Refer to Product Installation Guide on the web at electroluxicon.com for detailed instructions.

Optional Accessories

- Charcoal Filter – (PN# CF40EC).
- Duct-Free Kit – (PN# DFKTWC75GS).
- 35-7/16" Flue Extension – (PN# EXWC75GS).

Electrolux Major Appliances, N.A.

USA • 250 Bobby Jones Expressway • Augusta, GA 30907 • 1-877-4electrolux (1-877-435-3287) • electroluxicon.com
 CANADA • 5855 Terry Fox Way • Mississauga, ON L5V 3E4 • 1-800-265-8352 • electroluxicon.ca