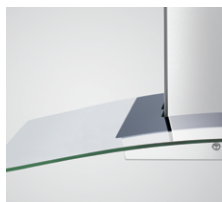
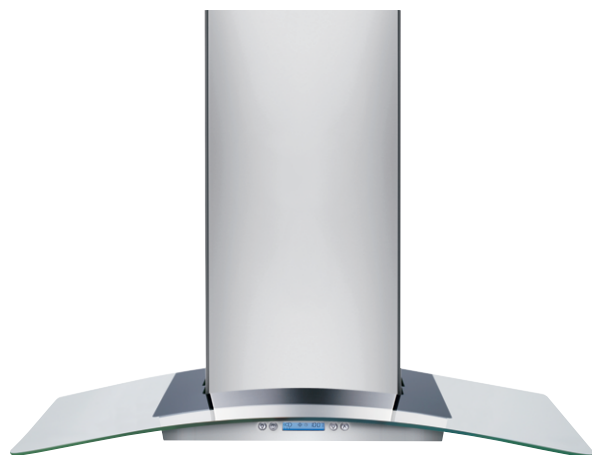


# Glass & Stainless Canopy Hood

RH36WC60G S



### Glass Canopy Design

Sophisticated style makes this ventilation unit as attractive as it is functional. Glass canopy hood has sleek curved design – making it a focal point of the kitchen.



### 600 CFMs / 4-Speed Fan

Features a powerful 4-speed dual centrifugal fan supplying 600 CFM of air movement. Effectively and quietly removes smoke, vapors and smells from the kitchen.



### Dual Halogen Lights

Dual halogen lights provide ample illumination of the cooking surface below with lights located at two different levels.



### Electronic Controls with LCD Display

Easy-to-operate electronic controls provide convenient access to all fan, clock and timer settings.

## 36" GLASS & STAINLESS CANOPY WALL-MOUNT HOOD

### Features

Nominal Width	36"
Installation Type	Wall Mount
Style	Stainless Steel/ Glass Canopy
Air Discharge	Vertical
Air Delivery (CFM)	600
Blower Type	Dual Centrifugal
Electronic Controls with LCD Display	Yes
Fan Speeds	4
Sound Level (dBA)	73.8
Dual Halogen Lights	Yes
Washable Stainless Steel Filters	Yes
Exhaust Duct	Convertible*
Duct Required	8" Round

### Accessories

Duct-Free Kit – RHDFW60GS	Optional
---------------------------	----------

### Specifications

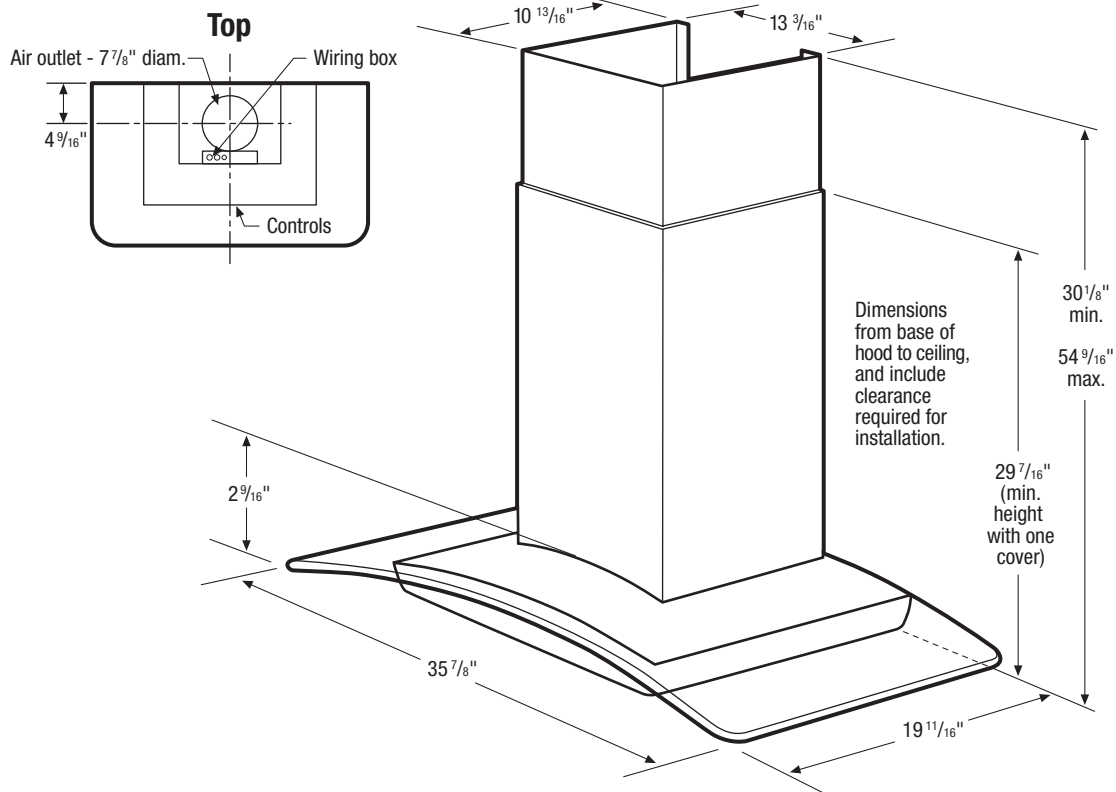
Overall Exterior Dimensions –	
Width	35-7/8"
Height (With One Cover) (With Flue Extension)	29-7/16" min. 30-1/8" min. 54-9/16" max.
Depth	19-11/16"
Voltage Rating	120V/60Hz/15A
Connected Load (kW Rating) @ 120 Volts <sup>†</sup>	0.474
Product Weight	64 Lbs.
Shipping Weight	67 Lbs.
Sones Rating	9.0

\* Ventilation is convertible to be either ducted outside, or recirculated inside requiring no ducting. (Recirculated option requires use of optional Duct-Free Kit.)

<sup>†</sup> For use on adequately wired 120V, dedicated circuit having 2-wire service with a separate ground wire. Appliance must be grounded for safe operation.

NOTE: Always consult local and/or national electric codes. Check local building codes for installation requirements, as they may vary per locale. Refer to Product Installation Guide for detailed installation instructions on the web at [www.electroluxappliances.com](http://www.electroluxappliances.com).

Specifications subject to change.



### 36" Glass & Stainless Canopy Wall-Mount Hood Specifications

- Product Weight – 64 Lbs.
- Wall-Mount Installation
- Ventilation is convertible to be either ducted outside, or recirculated inside requiring no ducting.
- Sones Rating – 9.0
- Voltage Rating – 120V/60 Hz/15 Amps
- Connected Load (kW Rating) @ 120 Volts = 0.474kW (For use on adequately wired 120V, dedicated circuit having 2-wire service with a separate ground wire. Appliance must be grounded for safe operation.)
- Amps @ 120 Volts = 3.8 Amps
- Always consult local and/or national electric codes. Check local building codes for installation requirements, as they may vary per locale.
- Minimum installation height allowed from bottom of hood to cooking surface is 24" - 30" for electric and 30" for gas. (*NOT more than 36" recommended.*)
- To prepare mounting surface, adequate structure and support must be provided, capable of supporting 100 lbs.

### Ducted Option Specifications

- For outside ventilation only.
- Exhaust Duct Required – 8" round
- For most efficient airflow exhaust, use a straight run or as few elbows as possible.
- Use metallic flex ducting only to connect rigid duct directly to transitions (*if allowed by code*).
- Thermal breaks such as short section of nonmetallic duct, should be used in areas of extreme cold.
- Cold weather installations should have additional backdraft damper installed.
- Refer to web for detailed duct preparation installation instructions.

### Ductless (Recirculated) Option Specifications

- If ducting to outside is not an option, vent hood can be converted to ductless with use of optional Duct-Free Kit (RHDFW60GS).
- Refer to web for detailed convertible ventilation installation instructions.

**Note: For planning purposes only. Refer to Product Installation Guide on the web at [electroluxappliances.com](http://electroluxappliances.com) for detailed instructions.**

### Optional Accessories

- Duct-Free Kit – (RHDFW60GS).