

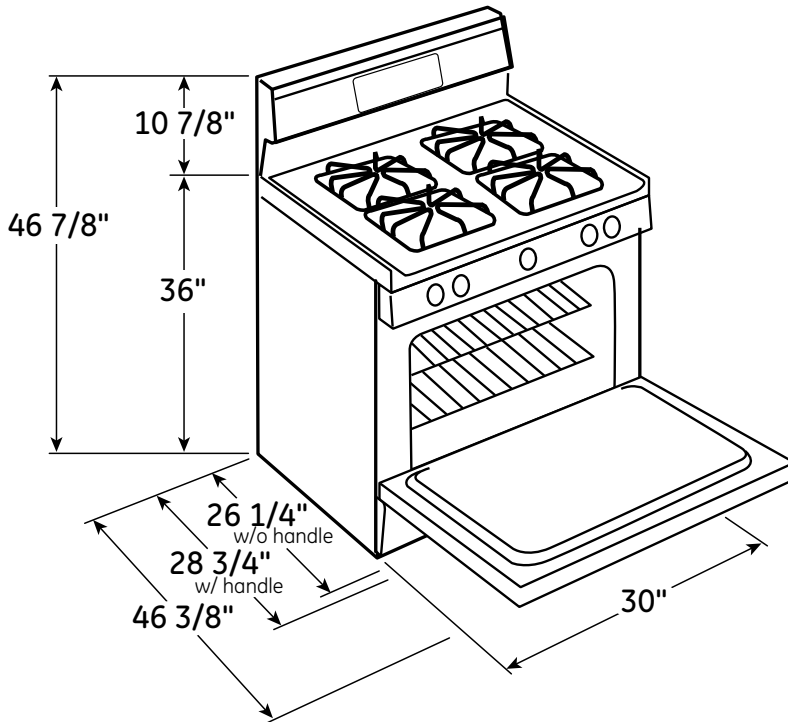
# RGB530DEH

## Hotpoint® 30" Free-Standing Gas Range

### Dimensions and Installation Information (in inches)

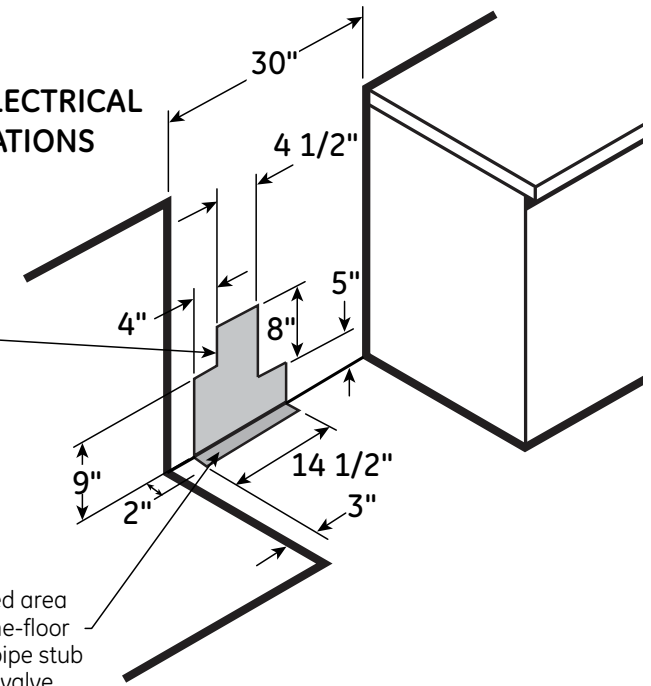
**Electrical Rating:** 120V, 60Hz, 5A

**Installation Information:** Before installing, consult installation instructions packed with product for current dimensional data.

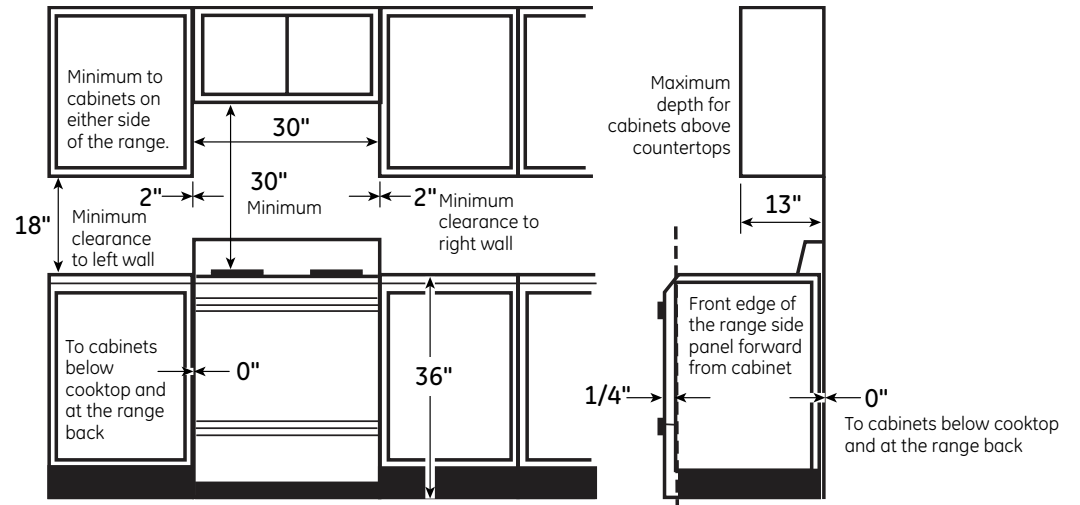


### GAS PIPE AND ELECTRICAL OUTLET LOCATIONS

Recommended area for 120V outlet on rear wall and area for through-the-wall connection of pipe stub and shut-off valve.



Recommended area for through-the-floor connection of pipe stub and shut-off valve.



For answers to your Monogram® or GE® appliance questions, visit our website at [geappliances.com](http://geappliances.com) or call GE Answer Center® service, 800.626.2000.



All GE ranges are equipped with an Anti-Tip device. The installation of this device is an important, required step in the installation of the range.

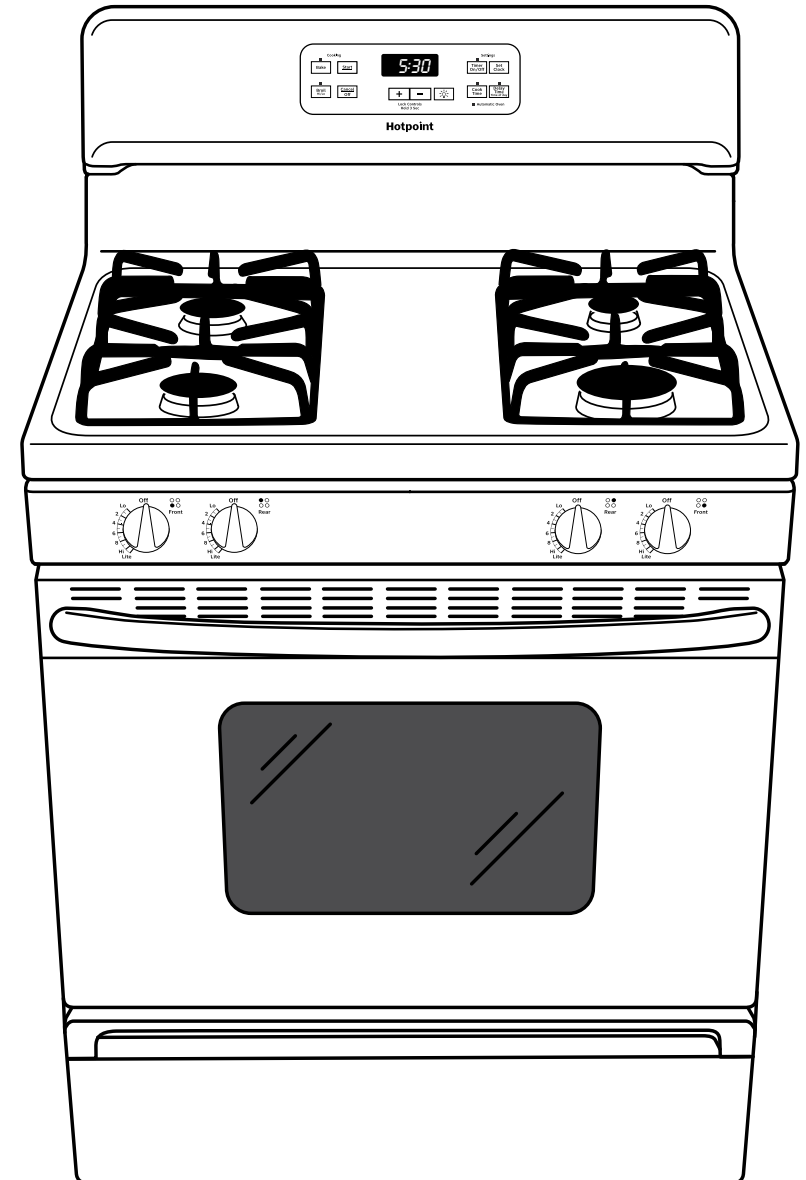


# RGB530DEH

## Hotpoint® 30" Free-Standing Gas Range

### Features and Benefits

- Standard Clean Oven - Smooth surface and rounded corners make clean-up quick and easy
- 4.8 cu. ft. Oven Capacity - Enough room to cook an entire meal at once
- Sealed Cooktop Burners - Contains spills and make cleaning quick and easy
- Simmer setting - Simmer setting allows for low, even heat distribution for delicate foods and sauces
- All purpose burners - Deliver a wide range of heat output ideal for most cooking needs
- Electronic Clock and Timer - Help cooks coordinate meal preparation and cooking
- Standard Grates - Hold cookware securely over burners
- Model RGB530DEHBB - Black on black
- Model RGB530DEHWW - White on white



imagination at work