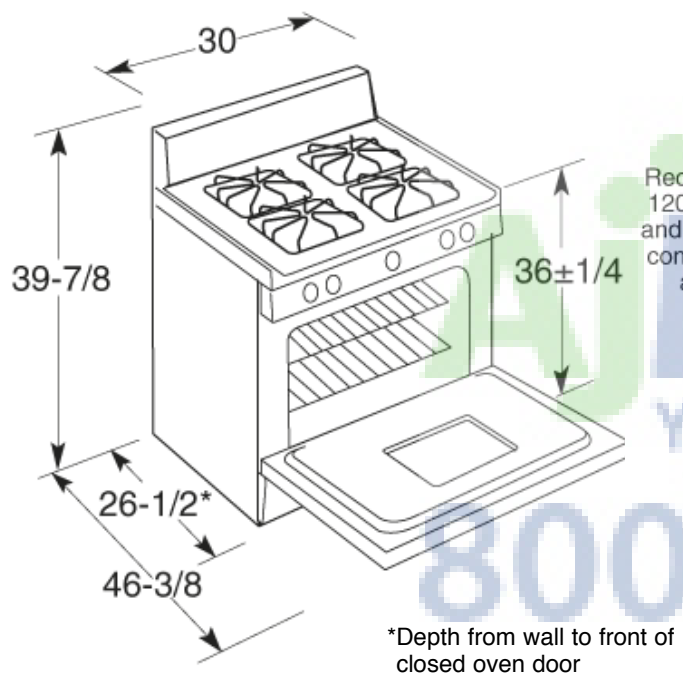


HOTPOINT®

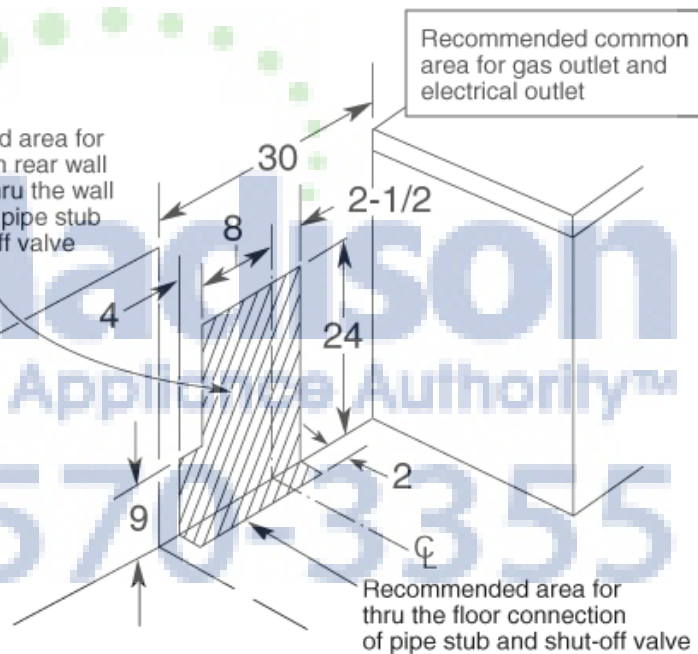
RGB518PCD – Hotpoint 30" Free-Standing Gas Range

Dimensions (in inches)



30" Gas Range Installation Information (in inches)

Recommended area for 120V outlet on rear wall and area for thru the wall connection of pipe stub and shut-off valve



Installation Information: Before installing, consult installation instructions packed with product for current dimensional data.

Optional gas range accessory drip pans:
(Available at additional cost)
To order these accessory drip pans, call toll-free 800-626-2002.

Requires standard 9V battery

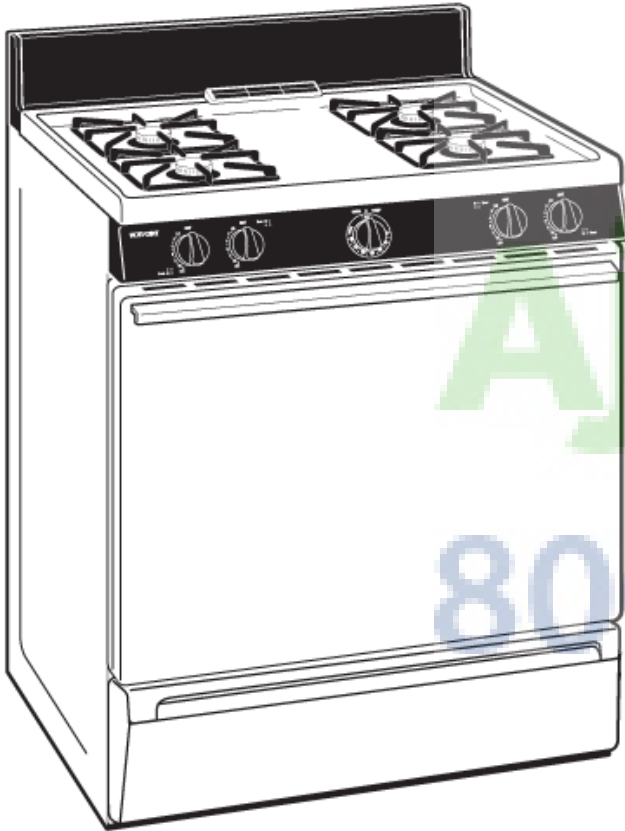


All Hotpoint ranges are equipped with an Anti-Tip device. The installation of this device is an important, required step in the installation of the range.



HOTPOINT®

RGB518PCD – Hotpoint 30" Free-Standing Gas Range



Features and Benefits

- Extra-large oven capacity - Ideal for special occasions and big meals, the extra large oven interior allows more to cook at once
- All purpose burners - All-purpose burner delivers two levels of BTU output to accommodate virtually all your cooking needs
- Cordless Battery Ignition
- Low Battery Indicator Light
- Porcelain upswept cooktop - Raised edges and porcelain-enameled surface makes cleaning incredibly easy
- Lift-up cooktop - Cooktop lifts up to give you access to the subtop, where spills and crumbs can collect, to make cleaning effortless
- Easy clean subtop - The subtop is porcelain enameled to make cleaning spills and messes quick and simple
- Standard grates - Quality grates keep pots and pans securely in place over the burners
- Two oven racks - Includes two oven racks that are sturdy and reliable
- Model RGB518PCDWH – White
- Model RGB518PCDCT – Bisque