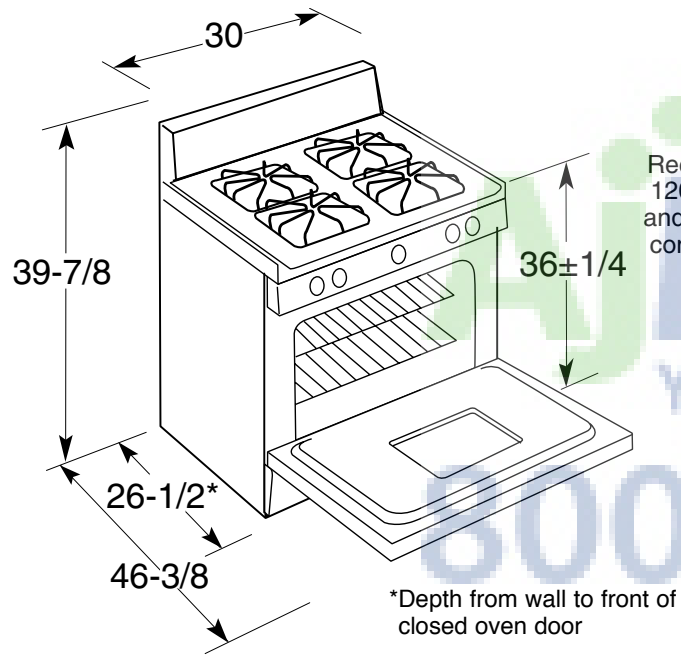


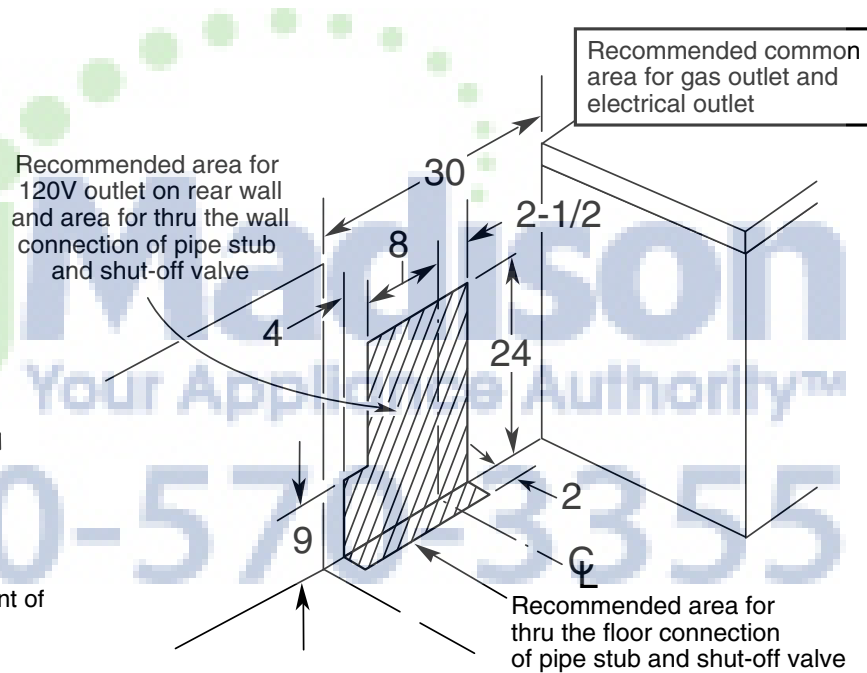
HOTPOINT®

RGB508PET – Hotpoint 30" Free-Standing Gas Range

Dimensions (in inches)



30" Gas Range Installation Information (in inches)



Installation Information: Before installing, consult installation instructions packed with product for current dimensional data.

Optional gas range accessory drip pans:
(Available at additional cost)
To order these accessory drip pans, call toll-free 800-626-2002.

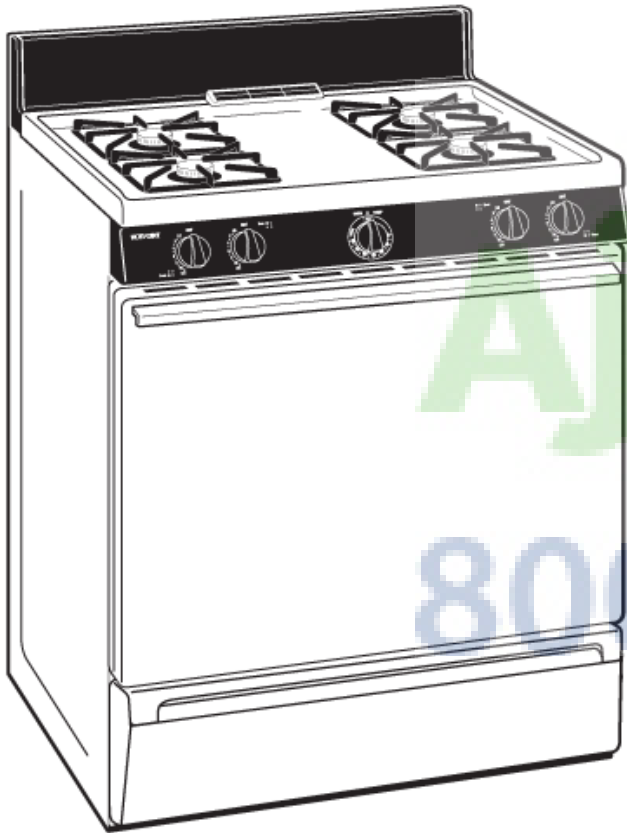


All Hotpoint ranges are equipped with an Anti-Tip device. The installation of this device is an important, required step in the installation of the range.



HOTPOINT®

RGB508PET – Hotpoint 30" Free-Standing Gas Range



Features and Benefits

- Extra-Large Oven Capacity – Provides a large oven interior ideal for cooking more items at once.
- All Purpose Burners – Deliver a wide range of heat output ideal for most cooking requirements.
- Standard Grates – Provide a sturdy and convenient cookware surface for everyday cooking.
- Lift-Up Cooktop – Cooktop lifts up for easy access to porcelain-enameled subtop.
- Easy Clean Subtop – Porcelain enameled subtop collects spills and messes for easy cleaning.
- Porcelain Oven Door – Offers a scratch-resistant porcelain coating for easy cleaning.
- Two Oven Racks – Feature a durable construction to help accommodate any size or type of cookware.
- Model RGB508PETWH – White (white door and black control panel)
- Model RGB508PETCT – Bisque (bisque door and black control panel)