

**Freezer Column**  
**With ice and water dispenser**  
**Fully integrated**  
**Width: 24"**

**RF 463-700**

**Right-hinged**

**RF 463-701**

**Left-hinged**

**RF 463-700/701**

**- Fully integrated appliances.**

Doors open to a 115-degree angle, so that the large drawers can be pulled out completely.

**- Stainless steel, aluminum and glass interior** to keep the refrigerator naturally hygienic, just like in a professional kitchen.

**- Integrated automatic ice maker** with water connection and dispenser for ice cubes, crushed ice and chilled water.

Niche height 84".  
 Niche width 24".  
 Net volume 12.2 cu.ft.

Electronic temperature control with digital temperature display. Automatic defrosting with defrost water evaporation. Energy-saving vacation mode. Open-door and malfunction warning system.

**Freezer compartment:**

No-frost technology with fast freezing. Temperature adjustable from 7° to -9°F. Storage time after a malfunction-19 hours. Four solid metal shelves, three of which are manually adjustable. A large, fully extendable drawer with transparent front. A regular, fully extendable drawer with transparent front. Interior lighting with two ceiling spots. Four solid aluminum door bins, three of which are height-adjustable, one has a front flap.

**Ice and water dispenser:**

Integrated automatic ice maker in the freezer compartment, with removable ice bin. Ice cubes and crushed ice. Anti-Clump ice system. Ice making capacity approx. 3.3 lbs./24 hrs. Supply at normal operation approx. 8.8 lbs. Chilled water supply approx 1.3 quarts. Ice and water dispenser accommodates large pitchers and sports bottles. Illuminated ice and water dispenser. Ice maker can be switched off separately.

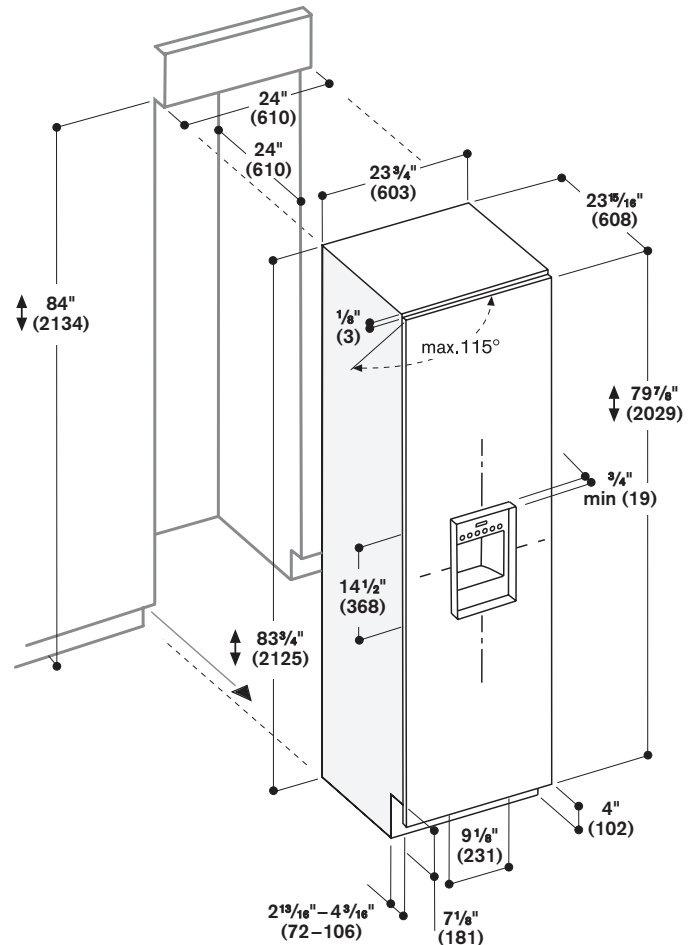
Flat hinge. Door hinges on the right, reversible if necessary. Plan the power outlet and water connection behind the appliance per installation instruction.

**Planning notes:**

<b>Optional accessories:</b>	<b>RA 035-030</b>
	Bottle cooler
	<b>RA 422-610</b> Stainless steel door panel with handles for RF 463. Panel thickness 3/4".
	<b>RA 422-630</b> Aluminum door panel with handles for RF 463. Panel thickness 3/4".
	<b>RA 461-614</b> Ventilation grill
	Stainless steel for RF 463, right hinged
	<b>RA 461-615</b> Ventilation grill
	Stainless steel for RF 463, left hinged

**Rating:** Total connected load 5.65 kW. Water connection. Connecting cable length 78". Supply hose length 118". Water pressure 35 to 120 psi Total Amps: 15 Amps 120V/60Hz

Energy consumption 0.40/0.44 kWh/24 hrs.



Numbers indicated inside parenthesis ( ) = mm