



# RF4289HARS

28 cu. ft. Counter Height 4-Door Refrigerator with FlexZone Drawer and 8" LCD Digital Display with Apps

## Features

- 8" LCD Digital Display with Apps
- Large Capacity – 28 cu. ft.
- Premium External Filtered Water and Ice Dispenser
- FlexZone Drawer with Temperature Control and SmartDivider
- LED Lighting
- Twin Cooling Plus System®
- Surround Air Flow
- Power Freeze and Power Cool Options
- Two Humidity Controlled Crispers
- Tempered Glass Spill Proof Shelves
- Gallon Door Bins
- EZ-Open Handle™ on Freezer Door and FlexZone Drawer
- Stainless Steel Accents on Interior Shelving and Door Bins
- Auto Pull Out Clear Upper Freezer Drawer

## Convenience

- Cool Tight Door
- Door Alarm
- Water Filter Indicator
- Pizza Pocket

## Energy Star Rated

Rated CEE Tier 1: Most Efficient  
562 kWh/year



Ranked **“Highest in Customer Satisfaction with Refrigerators, seven years in a row”** by J.D. Power and Associates.\*\*



The innovative 4-door refrigerator is perfect for large families and those that love to cook and entertain.



8" LCD Digital Display with Apps.

## Signature Features

### Available Colors



Everything you want on your refrigerator, neatly organized in the LCD display. Leave notes for your loved ones; Display photos from your Picasa library, phone, or SD card; View your google calendar; Get recipes from Epicurious; And more on an 8" LCD Screen with Apps.

### Keeps Food Fresher Longer

Our Twin Cooling Plus® System separates airflow between the refrigerator and freezer, resulting in improved freshness for fruits and veggies.

### FlexZone Drawer

The mid-drawer provides flexible temperature control with Meat/Fish, Cold Drinks, Deli/Snacks and Wine/Party Dishes options. The SmartDivider allows easy and customized organization within the mid-drawer.

\*\* Samsung received the highest numerical score for refrigerators in the proprietary J.D. Power and Associates 2005-2007 Major Home Appliance Studies and 2008-2010 Kitchen Appliance StudiesSM. (2007-2008 received award for satisfaction with side-by-side/French door refrigerators). Study based on 15,853 total responses measuring 16 brands and measures opinions of consumers who purchased refrigerators from a retail store or their new-home builder during the previous 24 months. Proprietary study results are based on experiences and perceptions of consumers surveyed in March-April 2010. Your experiences may vary. Visit [jdpower.com](http://jdpower.com).



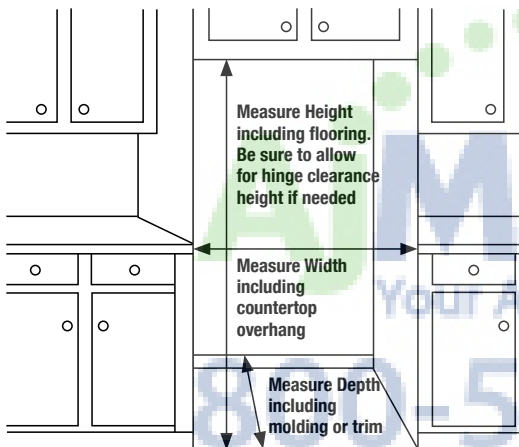
# RF4289HARS

28 cu. ft. Counter Height 4-Door Refrigerator with FlexZone Drawer and 8" LCD Digital Display with Apps

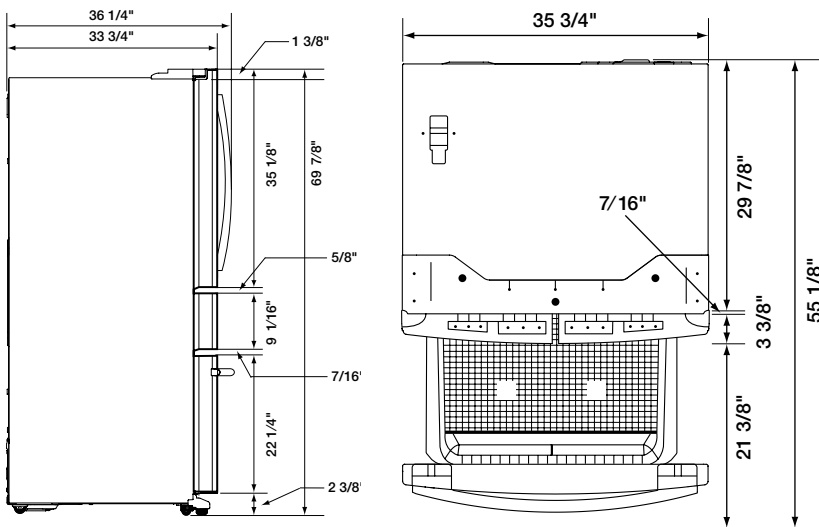
## Installing your Refrigerator

1. Measure the height, width and depth of the opening, making sure to include baseboards, molding tile, countertop overhang, etc. Check to be sure there is enough room to open the door (consider walls, islands or other obstacles when measuring).
2. Refer to chart B below to determine dimensions.
3. Allow 2" of clearance on hinge side of refrigerator when installing next to a wall where handle may make contact.
4. Allow 1" minimum clearance at rear for proper air circulation and water/electrical connections. Allow a 3/8" minimum clearance at sides and top for ease of installation.
5. Ensure each door and entry way in the home is wide enough for the refrigerator to be moved through easily.

Please note: The following dimension and cutout information is for planning purposes only. For complete installation details consult manual packed with product, or download manual on-line at [samsung.com](http://samsung.com).



## Dimensions



### Refrigerator: 16.3 cu. ft.

- 8" LCD Screen with Apps:
  - Memo
  - Epicurious Recipes
  - Picasa Photos
  - WeatherBug
  - Calendar
  - AP News
  - Pandora
  - Twitter
- Surround Air Flow
- 2 Humidity Controlled Crispers
- 5 Tempered Glass Spill Proof Shelves
- Right Door – 2 Gallon Bins and 1 Door Bin
- Left Door – 3 Door Bins
- LED Lighting

### FlexZone Drawer: 4.0 cu. ft.

- Easy Open Handle™
- 4 Temperature Zones with Smart Dividers:
  - Meat / Fish (29°F)
  - Cold Drinks (33°F)
  - Deli / Snacks (37°F)
  - Wine / Party Dishes (42°F)

### Freezer: 7.7 cu. ft.

- Easy Open Handle™
- 1 Drawer Divider
- In-Door Pizza Pocket
- LED Lighting

### Accessories:

Water Filter: HAF-CIN

### Warranty

One (1) Year All Parts and Labor  
Five (5) Years Sealed System Parts and Labor

### Product Dimensions + Weight

Dimensions: (WxHxD)  
(without hinges): 35 3/4" x 68 1/2" x 29 7/8"  
(with hinges\*): 35 3/4" x 69 7/8" x 33 3/4"  
(with handles): 35 3/4" x 69 7/8" x 36 1/4"  
Weight: 361.1 lbs/164.3 kg

### Shipping Dimensions + Weight

Dimensions: (WxHxD) 38 5/8" x 75 3/4" x 36 1/4"  
Weight: 401.2 lbs/182 kg

Color	Model #	UPC Code
Stainless Steel	RF4289HARS	036725560529

\*Some hinges cannot be removed, please refer to the dimensions with hinges for product install and delivery dimensions

Actual color may vary. Design, specifications, and color availability are subject to change without notice. Non-metric weights and measurements are approximate.

©2011 Samsung Electronics America, Inc. 85 Challenger Road Ridgefield Park, NJ 07660. Tel: 800-SAMSUNG [www.samsung.com](http://www.samsung.com). Samsung is a registered trademark of Samsung Electronics Co. Ltd.