

**Freezer Column
With integrated ice maker
Fully integrated**

RF 411-700

Width 18"

RF 461-700

Width 24"

RF 471-700

Width 30"

Included in the price: ice scoop

RF 4.1-700

- Fully integrated appliances. Doors open to a 115-degree angle, so that the large drawers can be pulled out completely.

- Stainless steel, aluminum and glass interior to keep the freezer naturally hygienic, just like in a professional kitchen.

- Integrated automatic ice maker in the freezer drawer, with water connection.

Niche height 84".
Net volume 8.5/12.2/15.9 cu.ft.

Electronic temperature control with digital temperature display. Automatic defrosting with defrost water evaporation. Open-door and malfunction warning system.

Freezer compartment:
No-frost technology with fast freezing. Temperature adjustable from 7° to -9°F. Four solid metal shelves, three of which are manually adjustable. A large, fully extendable drawer with transparent front. A regular, fully extendable drawer with transparent front. Interior lighting with two spots. Four solid aluminum door bins, three of which are height-adjustable, one has a front flap.

Ice dispenser:
Integrated ice maker in the freezer compartment, with ice bin. Ice making capacity approx. 3.3 lbs./24 hrs. Supply at normal operation approx. 8.8 lbs. Ice maker can be switched off separately.

Flat hinge. Door hinges on the left, reversible if necessary. Plan the power outlet and water connection behind the appliance per installation instruction.

Planning notes:

Optional accessories:

RA 035-030

Bottle cooler

RA 421-110 Stainless steel door

panel with handles for RF 411. Panel thickness 3/4".

RA 421-130 aluminum door

panel with handles for RF 411. Panel thickness 3/4".

RA 421-610 Stainless steel door

panel with handles for RF 461. Panel thickness 3/4".

RA 421-630 Aluminum door

panel with handles for RF 461. Panel thickness 3/4".

RA 421-710 Stainless steel door

panel with handles for RF 471. Panel thickness 3/4".

RA 421-730 Aluminum door

panel with handles for RF 471. Panel thickness 3/4".

RA 461-110 Ventilation grill

Stainless steel for RF 411, right-hinged.

RA 461-111 Ventilation grill

Stainless steel for RF 411, left-hinged.

RA 461-610 Ventilation grill

Stainless steel for RF 461, right-hinged.

RA 461-611 Ventilation grill

Stainless steel for RF 461, left-hinged.

RA 461-710 Ventilation grill

Stainless steel for RF 471, right-hinged.

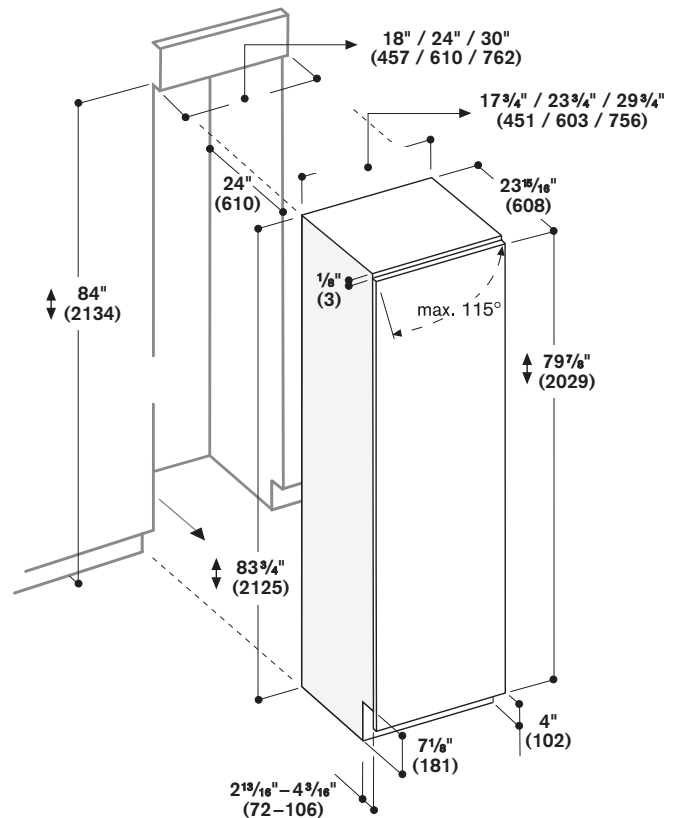
RA 461-711 Ventilation grill

Stainless steel for RF 471, left-hinged.

Rating:

Total connected load: 3.67/4.44/5.04 kW. Water connection. Connecting cable length 78". Supply hose length 118". Total Amps: 15 Amps 120V/60Hz

Energy consumption 0.84/0.96/1.16 kWh/24 hrs.



Numbers indicated inside parenthesis () = mm