

# RF30HDEDTSR

30 cu. ft. French Door Refrigerator with Food ShowCase Fridge Door

## Features

- Extra-Large Capacity – 30 cu. ft.
- Metal Cooling
- Food ShowCase Fridge Door
- CoolSelect Pantry™ with Temperature Control
- Ice Master – Ice Maker in the Refrigerator
- Additional Filtered Ice Maker in the Freezer
- High-Efficiency LED Lighting
- Twin Cooling Plus System®
- ENERGY STAR® Compliant
- External Filtered Water and Ice Dispenser
- Stainless Look Display
- Power Freeze and Power Cool Options
- Two Humidity-Controlled Crispers
- Tempered Glass Spill-Proof Shelves
- Gallon Door Bins
- EZ-Open Handle™ on Freezer Door
- Auto Pull-Out Upper Freezer Drawer

## Convenience

- Cool Tight Door
- Door Alarm
- Water Filter Indicator
- Pizza Pocket
- Removable Ice Caddy



**ENERGY STAR® Rated:**  
CEE Tier 2: More Efficient  
(25% more efficient than Federal Standard)  
751 kWh/yr



Ranked **“Highest in Customer Satisfaction with Refrigerators”**  
by J.D. Power and Associates.



Food ShowCase Fridge Door



CoolSelect Pantry™ with Temperature Control

## Available Color



Stainless Steel

## Signature Features

### FOOD SHOWCASE FRIDGE DOOR

- Door-in-door storage gives you easy reach of key items that are most often used, all visible in one glance.

### METAL COOLING

- Locks in cold, seals in freshness.
- Stainless steel paneling helps maintain consistent temperature throughout the refrigerator.

### EXTRA-LARGE CAPACITY

- Our 30 cu. ft. extra-large capacity French Door has enough room to fit up to 30 bags of groceries.\*

\*Grocery comparison based on each cubic foot of usable space equaling one paper bag.

**SAMSUNG**

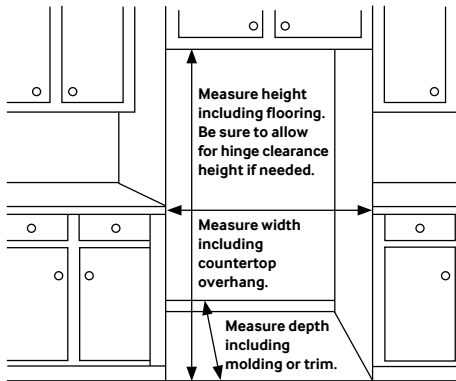
# RF30HDEDTSR

## 30 cu. ft. French Door Refrigerator with Food ShowCase Fridge Door

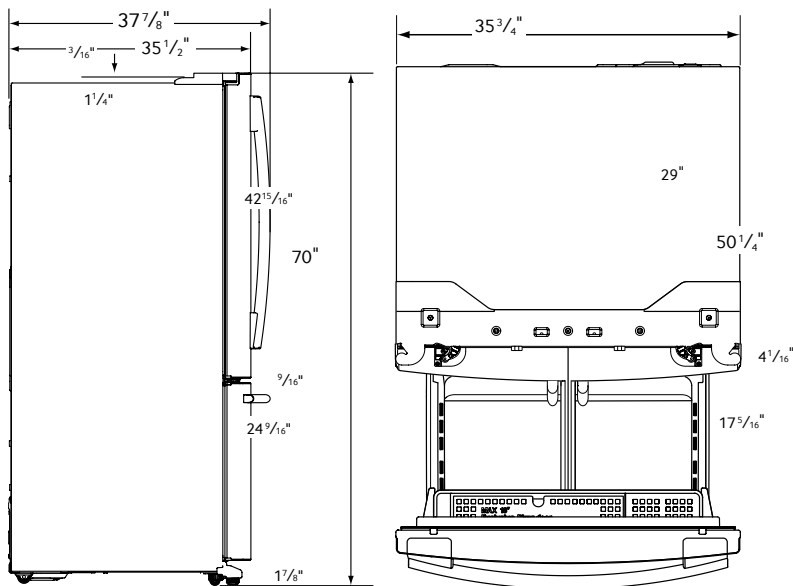
### Installing Your Refrigerator

1. Measure the height, width and depth of the opening, making sure to include baseboards, molding tile, countertop overhang, etc. Check to be sure there is enough room to open the door (consider walls, islands or other obstacles when measuring).
2. Refer to illustration below to determine dimensions.
3. Allow 2" of clearance on hinge side of refrigerator when installing next to a wall where handle may make contact.
4. Allow 1" minimum clearance at rear for proper air circulation and water/electrical connections. Allow a 3/8" minimum clearance at sides and top for ease of installation.
5. Ensure each door and entry way in the home is wide enough for the refrigerator to be moved through easily.

Please note: The following dimension and cutout information is for planning purposes only. For complete installation details consult manual packed with product, or download manual on-line at [samsung.com](http://samsung.com).



### Dimensions



### Total Capacity: 30.2 cu. ft.

#### Refrigerator: 20.2 cu. ft.

- Premium Wide and Tall External Filtered Water and Ice Dispenser
- Ice Master Ice Maker
- High-Efficiency LED Lighting
- Stainless Steel Accents on Interior
- CoolSelect Pantry™ with Temperature Control
- 2 Humidity-Controlled Crispers
- 5 Tempered Glass Spill-Proof Shelves
  - 1 Slide-in, 1 Slide-out, 1 Foldable Half, 2 Fixed
- 7 Clear Door Bins
  - Right Door: 2 Gallon Bins, 2 Regular Bins
  - Left Door: 3 Regular Bins

#### Freezer: 10 cu. ft.

- 1 Large Freezer Bin with Divider
- Auto Pull-Out Upper Drawer
- High-Efficiency LED Lighting
- Pizza Pocket
- Filtered Ice Maker (Cubed)

### Accessories

Water Filter: HAF-CIN

### Warranty

One (1) Year Parts and Labor on Refrigerator

Five (5) Years Parts and Labor on Sealed Refrigeration System Only\*

Ten (10) Years Parts and Five (5) Years

Labor on Digital Inverter Compressor

\*Compressor, evaporator, condenser, drier, connecting tubing

### Product Dimensions & Weight

Dimensions (WxHxD with hinges, handles and doors): 35 3/4" x 70" x 37 7/8"

Dimensions (WxHxD without hinges and door): 35 3/4" x 68 7/8" x 30 7/8"

Dimensions (WxHxD with hinge and door, no handle): 35 3/4" x 70" x 35 1/2"

Weight: 388 lbs.

### Shipping Dimensions & Weight (WxHxD)

Dimensions: 38 1/4" x 76 1/8" x 38 1/4"

Weight: 414.5 lbs.

Color

Stainless Steel

Model #

RF30HDEDTSR

UPC Code

887276028835

**SAMSUNG**

Samsung received the highest numerical score for refrigerators in the proprietary J.D. Power and Associates 2012 Kitchen Appliance Study.<sup>SM</sup> Study based on 12,615 total responses measuring 17 brands and measures opinions of consumers about their refrigerator obtained new in the past 24 months. Proprietary study results are based on experiences and perceptions of consumers surveyed in January-February 2012. Your experiences may vary. Visit [jdpower.com](http://jdpower.com).

Actual color may vary. Design, specifications, and color availability are subject to change without notice.

Non-metric weights and measurements are approximate.

©2014 Samsung Electronics America, Inc. 85 Challenger Road, Ridgefield Park, NJ 07660. Tel: 800-SAMSUNG. [samsung.com](http://samsung.com).

Samsung is a registered trademark of Samsung Electronics Co. Ltd.