



# RF263TEAESR

## 26 cu.ft. French Door with External Water & Ice Dispenser plus Dual Ice Maker

### Features

- Large Storage Capacity – 26 cu. ft.\*
- IceMaster™ Ice Maker in the Refrigerator
- Additional Filtered Ice Maker in the Freezer
- High Efficiency LED Lighting
- Twin Cooling Plus System®
- Tall and Wide External Filtered Water and Ice Dispenser
- Cool Select Pantry™ with Temperature Control
- Power Freeze and Power Cool Options
- Two Humidity Controlled Crispers
- Tempered Glass Spill Proof Shelves
- Gallon Door Bins
- EZ-Open Handle™ on Freezer Door
- Auto Out Upper Freezer Drawer

### Convenience

- Cool Tight Door
- Door Alarm
- Water Filter Indicator
- Removable Ice Caddy

### Energy Star Rated

Rated CEE Tier 3: Most Efficient  
475 kWh / year



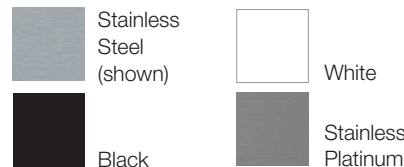
French Door design provides easy access to fresh food and flexible storage options.



Cool Select Pantry™

### Signature Features

#### Available Colors



#### Twin Cooling Plus® Helps Produce Stay Fresher

Refrigerator air is kept at higher, near-commercial grade humidity levels to keep perishable fruits and vegetables from spoiling.

#### Nearly 12 lbs. of Ice Daily for Family and Friends

Our IceMaster™ paired with in-freezer Ice Maker makes nearly 12 lbs. of ice per day with storage for nearly 10 lbs. of ice\*\*

#### High-Efficiency LED Lighting Illuminates Virtually Every Corner.

Samsung's new high-efficiency LED lighting gently brightens the interior of your beautifully organized refrigerator.

\*25.6 cu. ft. measured as per Department of Energy

\*\*Actual Dual Ice Master production and storage quantities are 11.8 lbs and 9.7 lbs respectively

AjMadison.com  
Your Appliance Authority  
800-570-3355



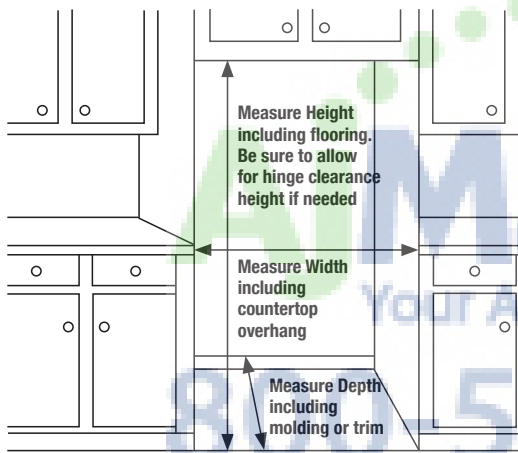
# RF263TEAESR

## 26 cu.ft. French Door with External Water & Ice Dispenser plus Dual Ice Maker

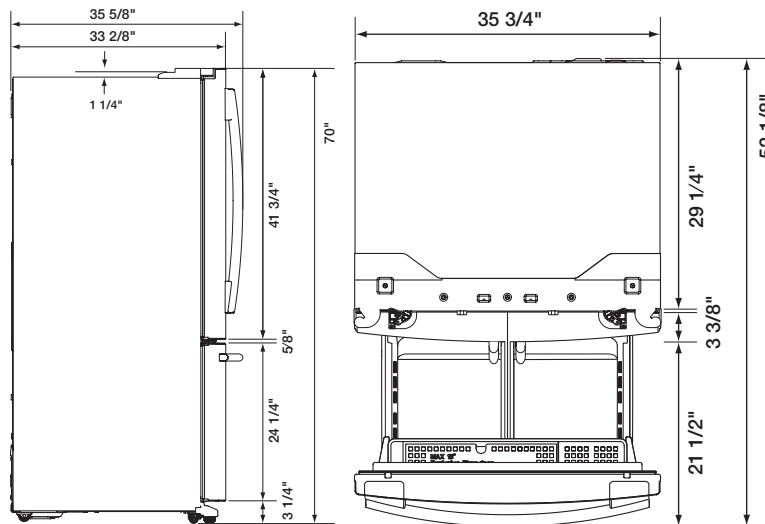
### Installing your Refrigerator

1. Measure the height, width and depth of the opening, making sure to include baseboards, molding tile, countertop overhang, etc. Check to be sure there is enough room to open the door (consider walls, islands or other obstacles when measuring).
2. Refer to chart B below to determine dimensions.
3. Allow 2" of clearance on hinge side of refrigerator when installing next to a wall where handle may make contact.
4. Allow 1" minimum clearance at rear for proper air circulation and water/electrical connections. Allow a 3/8" minimum clearance at sides and top for ease of installation.
5. Ensure each door and entry way in the home is wide enough for the refrigerator to be moved through easily.

Please note: The following dimension and cutout information is for planning purposes only. For complete installation details consult manual packed with product, or download manual on-line at [samsung.com](http://samsung.com).



### Dimensions



Some hinges cannot be removed, please refer to the dimensions with hinges for product install and delivery dimensions

Actual color may vary. Design, specifications, and color availability are subject to change without notice. Non-metric weights and measurements are approximate.

©2012 Samsung Electronics America, Inc. 85 Challenger Road Ridgefield Park, NJ 07660. Tel: 800-SAMSUNG [www.samsung.com](http://www.samsung.com). Samsung is a registered trademark of Samsung Electronics Co. Ltd.

**Total Capacity: 25.6 cu. ft.**

**Refrigerator: 17.7 cu. ft.**

- Tall and Wide External Filtered Water and Ice Dispenser
- IceMaster™ Ice Maker
- High Efficiency LED Lighting
- Cool Select Pantry™ with Temperature Control
- 2 Humidity Controlled Crispers
- 5 Tempered Glass Spill Proof Shelves
  - 2 Slide Out
  - 1 Slide In
  - 1 Extending Half Shelf
  - 1 Full Width
- 6 Clear Door Bins
  - Right Door: 3 Gallon Bins
  - Left Door: 3 Regular Bins

**Freezer: 7.9 cu. ft.**

- 1 large Opaque Freezer Bin with Divider
- Auto Out Upper Drawer
- Filtered Ice Maker – Cubed
- High Efficiency LED Lighting

### Accessories:

Water Filter: HAF-CIN

### Warranty

One (1) Year All Parts and Labor  
Ten (10) Years Sealed System Parts and Labor

### Product Dimensions + Weight

Dimensions: (WxHxD)

(Without Hinges): 35 5/8" x 68 5/8" x 33 1/4"

(With Hinges): 35 5/8" x 70" x 33 1/4"

(With Hinges + Door Handles): 35 5/8" x 70" x 35 5/8"

Weight: 308.7 lbs / 140 kg

### Shipping Dimensions + Weight

Dimensions: (WxHxD)

38 5/8" x 75 5/8" x 36 5/8"

Weight: 335.1 lbs / 152 kg

### Color

### Model# / Lowes#

### UPC Code

Stainless Steel	RF263TEAESR / 185563	036725590007
White	RF263TEAEWW / 185784	036725590038
Black	RF263TEAEB / 185571	036725590021
Stainless Platinum	RF263TEAESP	036725590014