

RF262BEAESR

SAMSUNG

24.2 cu. ft. 3-Door French Door Refrigerator with Family Hub™



6 Simple Truths

What should we have for dinner?

See inside your refrigerator from anywhere, shop for groceries, search for recipes and pre-heat your oven all from the Family Hub.

I love entertaining friends and family

Stream your favorite music apps on the Family Hub and enjoy premium speaker quality listening.

I miss out because I'm busy in the kitchen

Mirror shows, movies, or live sports from your Samsung TV on the Family Hub.

I'm always multi-tasking

Get a notification on the Family Hub when the laundry is done.

I want peace of mind when I am home with my family

See who's at the front door. Monitor the baby's room. Adjust the thermostat all from the Family hub.

It's the little moments that matter

Upload pictures remotely to the Family Hub. Leave handwritten notes for loved ones. Set reminders for when you get home.

Available Color



Stainless Steel



Family Hub™



CoolSelect Pantry™ with Temperature Control

Design

- Large Capacity of 24.2 cu. ft.
- High Efficiency LED Lighting
- EZ-Open Handle™

Convenience

- CoolSelect Pantry™ with Temperature Control
- Adjustable Spill Proof Shelves
- Door Alarm
- Water Filter Indicator

Performance

- Twin Cooling Plus
- Ice Max Ice Maker - Stores up to 4.2 lbs of ice

Rating



ENERGY STAR® rated:
648 kWh/yr

RF262BEAESR

SAMSUNG

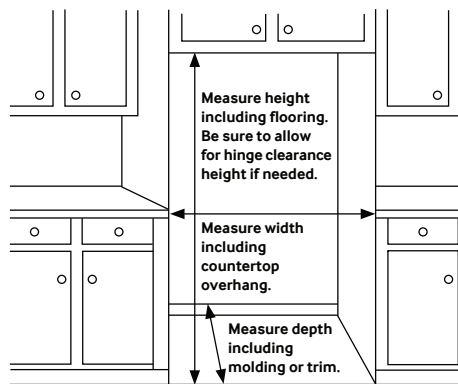
24.2 cu. ft. 3-Door French Door Refrigerator with Family Hub™

Installation Specifications

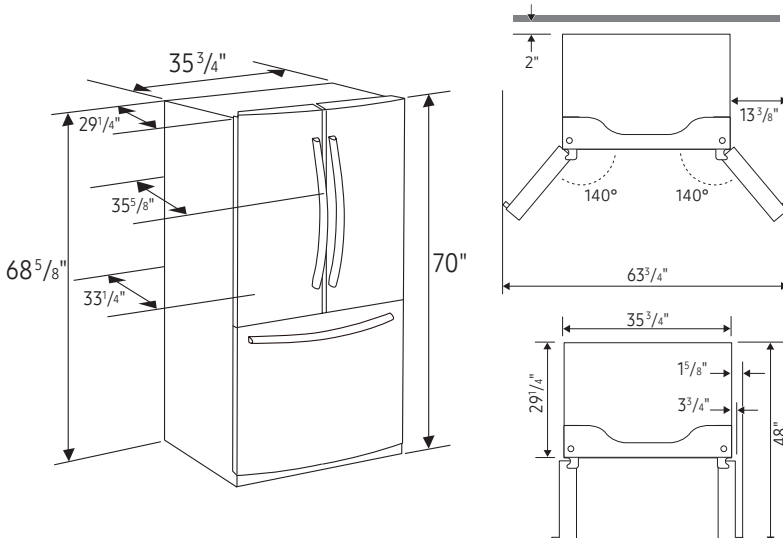
1. Measure the height, width and depth of the opening, making sure to include baseboards, molding tile, countertop overhang, etc. Check to be sure there is enough room to open the door (consider walls, islands or other obstacles when measuring).
2. Refer to illustration below to determine dimensions.
3. Allow 2.5" of clearance on hinge side of refrigerator when installing next to a wall where handle may make contact.
4. Allow 1" minimum clearance at rear for proper air circulation and water/electrical connections. Allow a 3/8" minimum clearance at sides and top for ease of installation.
5. Ensure each door and entryway in the home is wide enough for the refrigerator to be moved through easily.

For optimal usage and to be able to open refrigerator doors completely, do not install next to a wall.

Please note: The following dimension and cutout information is for planning purposes only. For complete installation details, consult manual packed with product, or download manual online at samsung.com.



Dimensions



Total Capacity: 24.2 cu. ft.

Refrigerator: 16.2 cu. ft.

- CoolSelect Pantry™ with Temperature Control
- 5 Tempered Glass Spill-Proof Shelves
- 2 Humidity-Controlled Crispers
- 6 Door Bins
 - Right Door: 3 Gallon Bins
 - Left Door: 3 Regular Bins
- Adjustable Shelves for Tall Oversized Items
- High Efficiency LED Lighting

Freezer: 8.0 cu. ft.

- EZ-Open Handle™
- 1 Large Opaque Bin with 1 Divider
- Auto Pull-Out Upper Drawer
- Filtered Ice Max Ice Maker (Cubed)
- High Efficiency LED Lighting

Accessories

Water Filter: HAF-CIN

Warranty

One (1) Year Parts and Labor on Refrigerator
Five (5) Years Parts and Labor on Sealed Refrigeration System Only*
Ten (10) Years Parts and Five (5) Years Labor on Digital Inverter Compressor

*Compressor, evaporator, condenser, drier and connecting tubing.

Product Dimensions & Weight

Dimensions (WxHxD with hinges, handles and doors):
35³/₄" x 70" x 35⁵/₈"

Dimensions (WxHxD without hinges and door):
35³/₄" x 68⁵/₈" x 29¹/₄"

Dimensions (WxHxD with hinge and door, no handle):
35³/₄" x 70" x 33¹/₄"

Weight: 302 lbs

Shipping Dimensions & Weight (WxHxD)

Dimensions: 38⁵/₈" x 75³/₄" x 36¹/₄"

Weight: 313 lbs

Color	Model #	UPC Code
Stainless Steel	RF262BEAESR	887276404059