



Refrigerator

User manual

RF262B*

Free Standing Appliance

SAMSUNG



Contents

Safety information	4
Important safety symbols and precautions:	4
State of California Proposition 65 Warning	5
Critical installation warnings	5
Installation cautions	7
Critical usage warnings	8
Usage cautions	11
Cleaning cautions	12
Critical disposal warnings	13
This appliance is intended to be used in household and similar applications such as	13
1. Regulatory Notice	14
Installation	16
Your refrigerator at a glance	16
Step-by-step installation	18
Operations	36
User interface	36
SmartThings	47
SMART GRID Function (Demand Response) (applicable models only)	50
Recommendations for voice recognition	54
Samsung Family Hub	54
Special features	56
Maintenance	59
Handling and care	59
Cleaning	64
Replacement	65



Troubleshooting	67
General	67
Do you hear abnormal sounds from the refrigerator?	71
SmartThings	73
Samsung Family Hub	74
Smart Grid (applicable models only)	75
LCD	76
LIMITED WARRANTY (U.S.A.)	77
SAMSUNG REFRIGERATOR	77

Safety information

- Before using your new Samsung Refrigerator, please read this manual thoroughly to ensure that you know how to operate the features and functions that your new appliance offers safely and efficiently.
- This appliance is not intended for use by persons (including children) with reduced physical, sensory or mental capabilities, or lack of experience and knowledge, unless they have been given supervision or instruction concerning use of the appliance by a person responsible for their safety. Children should be supervised to ensure that they do not play with the appliance.
- Because the following instructions cover various models, the characteristics of your refrigerator may differ slightly from the refrigerator described in this manual.
- If you have any question, contact us at 1-800-SAMSUNG or find help and information online at www.samsung.com.
- R-600a or R-134a is used as a refrigerant. Check the compressor label on the rear of the appliance or the rating label inside the fridge to see which refrigerant is used for your refrigerator. If this product contains flammable gas (Refrigerant R-600a), contact your local authority in regard to safe disposal of this product.
- It is hazardous for anyone other than an Authorized Service Person to service this appliance.



Warning; Risk of fire / flammable materials

Important safety symbols and precautions:

Please follow all safety instructions in this manual. This manual uses the following safety symbols.

WARNING

Hazards or unsafe practices that may result in **severe personal injury, property damage, and/or death**.

CAUTION

Hazards or unsafe practices that may result in **severe personal injury and/or property damage**.

NOTE

Useful information that helps users understand or benefit from the refrigerator.

These warning signs are here to prevent injury to you and others.

Please follow them carefully.

After reading this section, keep it in a safe place for future reference.



State of California Proposition 65 Warning

WARNING

Cancer and Reproductive Harm - www.P65Warnings.ca.gov.

Critical installation warnings

WARNING

- Do not install the refrigerator in a damp location or place where it may come in contact with water.
 - Deteriorated insulation on electrical parts may cause an electric shock or fire.
- Do not place this refrigerator in direct sunlight or expose it to the heat from stoves, room heaters, or other appliances.
- Do not plug several appliances into the same multiple power strip. The refrigerator should always be plugged into its own individual electrical outlet which has a voltage rating that matches the voltage listed on the refrigerator's rating plate.
 - This provides the best performance and also prevents overloading of house wiring circuits, which could overheat the wires and cause a fire hazard.
- If the wall socket is loose, do not insert the power plug.
 - There is a risk of electric shock or fire.
- Do not use a power cord that has cracks or abrasion damage along its length or at either end.
- Do not bend the power cord excessively or place heavy objects on it.
- Do not pull or excessively bend the power cord.
- Do not twist or tie the power cord.
- Do not hook the power cord over a metal object, place a heavy object on the power cord, insert the power cord between objects, or push the power cord into the space behind the appliance.
- When moving the refrigerator, be careful not to roll over or damage the power cord.
 - This may result in an electric shock or fire.
- Never unplug your refrigerator by pulling on the power cord. Always grip the plug firmly and pull straight out from the outlet.
 - Damage to the cord may cause a short-circuit, fire, and/or electric shock.
- Do not store explosive substances such as aerosol cans with a flammable propellant in this appliance.
- Do not install this appliance near a heater or flammable material.
- Do not install this appliance in a location where gas may leak.
 - This may result in an electric shock or fire.



Safety information

- This refrigerator must be properly located and installed in accordance with the instructions in this manual before you use it.
- Connect the power plug in the proper position with the cord hanging down.
 - If you connect the power plug upside down, the wire can get cut off and cause a fire or electric shock.
- Make sure that the power plug is not crushed or damaged by the back of the refrigerator.
- Keep the packing materials out of reach of children.
 - There is a risk of death from suffocation if a child puts the packing materials on his or her head.
- The appliance must be positioned so that the plug is accessible after installation.
 - Failing to do so may result in an electric shock or fire due to electric leakage.
- Do not install this appliance in a humid, oily or dusty location, or in a location exposed to direct sunlight or to water (rain drops).
 - Deteriorated insulation on electrical parts may cause an electric shock or fire.
- If large amounts of dust or water enter the refrigerator, disconnect the power plug and contact your Samsung Electronics service center.
 - Otherwise there is a risk of fire.
- Do not stand on top of the appliance or place objects (such as laundry, lighted candles, lighted cigarettes, dishes, chemicals, metal objects, etc.) on the appliance.
 - This may result in an electric shock, fire, problems with the product, or injury.
- You need to remove all the protective plastic film before you initially plug the product in.
- Children should be supervised to ensure that they do not play with the snap rings used for door adjustment or the water tube clips.
 - There is risk of death by suffocation if a child swallows a snap ring or water tube clip. Keep the snap rings and water tube clips out of children's reach.
- The refrigerator must be safely grounded.
 - Always make sure that you have grounded the refrigerator before attempting to investigate or repair any part of the appliance. Power leakages can cause severe electric shock.
- Never use gas pipes, telephone lines, or other potential lightning attractors as an electrical ground.
 - You must ground the refrigerator to prevent any power leakages or electric shocks caused by current leakage from the refrigerator.
 - Grounding the refrigerator improperly may result in an electric shock, fire, explosion, or problems with the product.

- Improper use of the grounding plug can result in a risk of electric shock. If it is necessary to use an extension cord, use only a 3-wire extension cord that has a 3-blade grounding plug and a 3-slot receptacle that will accept the plug on the appliance. The marked rating of the extension cord should be AC 115-120 V, 10 A, or more. If a grounding adapter is used, make sure the receptacle box is fully grounded.
- Plug the power plug into the wall socket firmly. Do not use a damaged power plug, damaged power cord, or loose wall socket.
 - This may result in an electric shock or fire.
- If the supply cord is damaged, it must be replaced by the manufacturer, its service agent or similarly qualified persons in order to avoid a hazard.
- Only a qualified technician or service company should be allowed to change the fuse in the refrigerator.
 - Failing to do so may result in an electric shock or personal injury.
- The socket must be easily accessible so that the appliance can be quickly disconnected from the supply in an emergency. It must be outside the area of the rear of the appliance.
- When positioning the appliance, ensure the power cord is not trapped or damaged.
- Do not locate multiple portable socket-outlets or portable power supplies at the rear of the appliance.

Installation cautions

CAUTION

- Allow sufficient space around the refrigerator and install it on a flat surface.
 - Keep the ventilation space in the appliance enclosure or mounting structure clear of obstructions.
- After you have installed the refrigerator and turned it on, allow the appliance to stand for 2 hours before loading it with food.
- We strongly recommend you have a qualified technician or service company install the refrigerator.
 - Failing to do so may result in an electric shock, fire, explosion, problems with the product, or injury.
- Overloading one door may make the refrigerator fall, causing physical injury.



Safety information

Critical usage warnings

WARNING

- Do not insert the power plug into a wall socket with wet hands.
 - This may result in an electric shock.
- Do not store articles on the top of the appliance.
 - When you open or close the door, the articles may fall and cause personal injury and/or material damage.
- Do not insert hands, feet or metal objects (such as chopsticks, etc.) into the bottom or the back of the refrigerator.
 - This may result in an electric shock or injury.
 - Any sharp edges may cause a personal injury.
- Do not touch the inside walls of the freezer or products stored in the freezer with wet hands.
 - This may cause frostbite.
- Do not put a container filled with water on the refrigerator.
 - If spilled, there is a risk of fire or electric shock.
- Do not keep volatile or flammable objects or substances (benzene, thinner, propane gas, alcohol, ether, LP gas, and other such products) in the refrigerator.
 - This refrigerator is for storing food only.
 - This may result in fire or explosion.
- Children should be supervised to ensure that they do not play with the appliance.
 - Keep fingers out of “pinch point” areas. Clearances between the doors and cabinet are necessarily small. Be careful when you open the doors if children are in the area.
- Do not let children hang on the door or door bins. A serious injury may occur.
- Do not let children go inside the refrigerator. They could become trapped.
- Do not insert your hands into the area under the appliance.
 - Any sharp edges may cause personal injury.
- Do not store pharmaceutical products, scientific materials, or temperature sensitive products in the refrigerator.
 - Products that require strict temperature controls must not be stored in the refrigerator.
- Do not place or use electrical appliances inside the refrigerator/freezer, unless they are of a type recommended by the manufacturer.
- If you smell smoke, pull out the power plug immediately, and then contact a Samsung Electronics service center.
- If large amounts of dust or water enter the refrigerator, disconnect the power plug and contact a Samsung Electronics service center.
 - Otherwise there is a risk of fire.



- Do not let children step on a drawer.
 - The drawer may break and cause them to slip.
- Do not leave the doors of the refrigerator open while the refrigerator is unattended and do not let children enter the refrigerator.
- Do not allow babies or children go into a drawer.
 - It can cause death from suffocation by entrapment or personal injury.
- Do not overfill the refrigerator with food.
 - When you open the door, an item may fall out and cause personal injury or material damage.
- Do not spray volatile material such as insecticide onto the surface of the appliance.
 - As well as being harmful to humans, it may also result in an electric shock, fire, or problems with the product.
- Never put fingers or any objects into the water dispenser outlet, ice chute, or ice maker bucket.
 - It may cause a personal injury or material damage.
- Do not use or place any substances sensitive to temperature such as flammable sprays, flammable objects, dry ice, medicine, or chemicals near or inside the refrigerator.
- Do not use a hair dryer to dry the inside of the refrigerator. Do not place a lighted candle in the refrigerator to remove bad odors.
 - This may result in an electric shock or fire.
- Fill the tank and ice cube tray with potable water only (tap water, mineral water, or purified water).
 - Do not fill the tank with tea, juice, or a sports drink. They can damage the refrigerator.
- Do not stand on top of the appliance or place objects (such as laundry, lighted candles, lighted cigarettes, dishes, chemicals, metal objects, etc.) on the appliance. This may result in an electric shock, fire, problems with the product, or injury. Do not put a container filled with water on the appliance.
 - If spilled, there is a risk of fire or electric shock.
- Do not use mechanical devices or any other means to accelerate the defrosting process, other than those recommended by the manufacturer.
- Do not damage the refrigerant circuit.
- Never stare directly at the UV LED lamp for long periods of time.
 - This may result in eye strain due to the ultraviolet rays.
- Do not put a fridge shelf into the refrigerator upside down. The shelf stopper will not work.
 - The glass shelf could fall and cause personal injury.
- Keep fingers out of “pinch point” areas. Clearances between the doors and cabinet are necessarily small. Be careful when you open the doors if children are in the area.



Safety information

- If a gas leak is detected, avoid any naked flames or potential sources of ignition, and air the room in which the appliance is standing for several minutes.
 - Do not touch the appliance or power cord.
 - Do not use a ventilating fan.
 - A spark may result in an explosion or fire.
- Use only the LED Lamps provided by the manufacturer or its service agents.
- Bottles should be stored tightly together so that they do not fall over or out.
- This product is intended only for the storage of food in a domestic environment.
- Never put fingers or any objects into the water dispenser outlet, ice chute, or ice maker bucket.
 - This can cause a personal injury or material damage.
- Do not attempt to repair, disassemble, or modify the refrigerator yourself.
 - Unauthorized modifications can cause safety problems. To reverse an unauthorized modification, we will charge the full cost of parts and labor.
- Do not use any fuse (such as cooper, steel wire, etc.) other than a standard fuse.
- If your refrigerator needs to be repaired or reinstalled, contact your nearest Samsung service center.
 - Failing to do so may result in an electric shock, fire, problems with the product, or injury.
- If the interior or exterior LED lamp has gone out, contact your nearest Samsung service center.
- If the refrigerator emits a burning smell or smoke, unplug the refrigerator immediately and contact a Samsung service center.
 - Failing to do so may result in an electric or fire hazards.
- Pull the power plug out of the socket before changing the interior lamps of the refrigerator.
 - Otherwise, there is a risk of electric shock.
- If you experience difficulty changing a non-LED light, contact a Samsung service center.
- If the product is equipped with LED lamps, do not disassemble the Lamp Covers and LED lamps yourself.
 - Contact a Samsung service center.
- Plug the power plug into the wall socket firmly.
- Do not use a damaged power plug, damaged power cord, or loose wall socket.
 - This may result in an electric shock or fire.



Usage cautions

CAUTION

- Do not re-freeze frozen foods that have thawed completely.
- Use only the ice maker provided with the refrigerator.
- To get the best performance from the product:
 - Do not place food too close to the vents at the rear of the refrigerator as this can obstruct free air circulation in the refrigerator compartment.
 - Wrap food up properly or place it in airtight containers before putting it into the refrigerator.
 - Please observe maximum storage times and expiration dates of frozen goods.
- Do not put glass containers or bottles or carbonated beverages into the freezer.
 - The container may freeze and break, and this may result in injury.
- Service Warranty and Modification.
 - Any changes or modifications performed by a 3rd party on this finished appliance are not covered under Samsung warranty service, nor is Samsung responsible for safety issues that result from 3rd party modifications.
- Do not block the air vents inside the refrigerator.
 - If the air vents are blocked, especially with a plastic bag, the refrigerator can be over cooled. If a cooling period lasts too long, the water filter may break and cause water leakage.
- If the refrigerator is disconnected from the power supply, you should wait for at least five minutes before plugging it back in.
- If large amounts of water enter the refrigerator, pull out the power plug and contact a Samsung service center.
- Do not strike or apply excessive force to any glass surface.
 - Broken glass may result in a personal injury and/or property damage.
- Fill the water tank and ice cube trays with potable water only (tap water, mineral water, or purified water).
 - Do not fill the tank with tea, juice, or a sports drink. They can damage the refrigerator.
- If the refrigerator is flooded, shut off the power to the refrigerator and contact your nearest Samsung service center.
 - There is a risk of electric shock or fire.
- Do not keep vegetable oil in your refrigerator's door bins. The oil can solidify, making it foul-tasting and difficult to use. In addition, the open container can leak and the leaked oil can cause the door bin to crack. After opening an oil container, it is best to keep the container in a cool and shaded place such as a cupboard or pantry.
 - Examples of vegetable oil: olive oil, corn oil, grape-seed oil, etc.

Safety information

Cleaning cautions

CAUTION

- Do not spray water directly on the inside or outside the refrigerator.
 - There is a risk of fire or electric shock.
- Do not use a hair dryer to dry the inside of the refrigerator.
- Do not place a lighted candle in the refrigerator to remove bad odors.
 - This may result in an electric shock or fire.
- Do not spray cleaning products directly on the display.
 - Printed letters on the display may come off.
- If any foreign substance such as water has entered the appliance, unplug the power plug and contact your nearest Samsung service center.
 - Failing to do so may result in an electric shock or fire.
- Use a clean, dry cloth to remove any foreign matter or dust from the power plug blades. Do not use a wet or damp cloth when cleaning the plug.
 - Otherwise, there is a risk of fire or electric shock.
- Do not clean the appliance by spraying water directly onto it.
- Do not use benzene, thinner, or Clorox (bleach) to clean the refrigerator.
 - They may damage the surface of the appliance and may cause a fire.
- Never put fingers or any objects into the dispenser outlet.
 - This can cause a personal injury or material damage.
- Before cleaning or performing maintenance, unplug the appliance from the wall socket.
 - Failing to do so may result in an electric shock or fire.
- Use a clean sponge or soft cloth and a mild detergent in warm water to clean the refrigerator.
- Do not use abrasive or harsh cleansers such as window sprays, scouring cleansers, flammable fluids, muriatic acid, cleaning waxes, concentrated detergents, bleaches, or cleansers containing petroleum products on exterior surfaces (doors and cabinet), plastic parts, door and interior liners, and gaskets.
 - These can scratch or damage the material.
- Do not clean glass shelves or covers with warm water when they are cold. Glass shelves and covers may break if exposed to sudden temperature changes or impacts such as bumping or dropping.

Critical disposal warnings

WARNING

- **DANGER** : Risk of child entrapment. Before you throw away your old refrigerator or freezer:
 - Take off the doors and door latch.
 - Leave the shelves in place so that children may not easily climb inside.
 - Children trapped inside a refrigerator can hurt themselves or suffocate to death.
- Please dispose of the packaging material from this product in an environmentally friendly manner.
- Ensure that none of the pipes on the back of the refrigerator are damaged prior to disposal.
- R-600a or R-134a is used as a refrigerant. Check the compressor label on the rear of the appliance or the rating label inside the fridge to see which refrigerant is used for your refrigerator. If this refrigerator contains flammable gas (Refrigerant R-600a), contact your local authority in regard to the safe disposal of this product.
- When disposing of this refrigerator, remove the door/door seals and door latch so that small children or animals cannot become trapped inside. Children should be supervised to ensure that they do not play with the appliance.
 - If trapped inside, the child could be injured or suffocate to death.
- Cyclopentane is used in the insulation. The gases in the insulation material require a special disposal procedure. Please contact your local authorities in regard to the environmentally safe disposal of this product.
- Keep all packaging materials well out of the reach of children, as packaging materials can be dangerous to children.
 - If a child places a bag over his or her head, the child could suffocate.

This appliance is intended to be used in household and similar applications such as

- staff kitchen areas in shops, offices and other working environments;
- farm houses and by clients in hotels, motels and other residential type environments;
- bed and breakfast type environments;
- catering and similar non-retail applications.

Safety information

1. Regulatory Notice

1.1 FCC Notice

FCC CAUTION:

Any changes or modifications not expressly approved by the party responsible for compliance could void the user's authority to operate the equipment.

Contains Transmitter Module FCC ID: A3LCCBP730Q

This device complies with Part 15 of FCC Rules. Operation is Subject to the following two conditions:

- (1) This device may not cause harmful interference, and
- (2) This device must accept any interference received including interference that cause undesired operation.

For products available in the US and Canadian markets, only channels 1~11 are available. You cannot select other channels.

FCC STATEMENT:

This equipment has been tested and found to comply within the limits for a Class B digital device, pursuant to part 15 of the FCC Rules. These limits are designed to provide reasonable protection against harmful interference in a residential installation.

This equipment generates, uses, and can radiate radio frequency energy and, if not installed and used in accordance with the instructions, may cause harmful interference to radio communications. However, there is no guarantee that interference will not occur in a particular installation. If this equipment does cause harmful interference to radio or television reception, which can be determined by turning the equipment off and on, the user is encouraged to try to correct the interference by one or more of the following measures:

- Reorient or relocate the receiving antenna
- Increase the separation between the equipment and receiver
- Connect the equipment to an outlet that is on a different circuit than the receiver.
- Consult the dealer or an experienced radio/TV technician for help.

FCC RADIATION EXPOSURE STATEMENT:

This equipment complies with FCC radiation exposure limits set forth for an uncontrolled environment.

This equipment should be installed and operated so there is at least 8 inches (20 cm) between the radiator and your body. This device and its antennas must not be co-located or operated in conjunction with any other antenna or transmitter except in accordance with FCC multi-transmitter product procedures.

1.2 IC Notice

Contains Transmitter Module IC: 649E-CCBP730Q

The term “IC” before the radio certification number only signifies that Industry Canada technical specifications were met. Operation is subject to the following two conditions : (1) this device may not cause interference, and (2) this device must accept any interference, including interference that may cause undesired operation of the device.

This Class B digital apparatus complies with Canadian ICES-003.

Cet appareil numérique de la classe B est conforme à la norme NMB-003 du Canada.

For products available in the US and Canadian markets, only channels 1~11 are available. You cannot select other channels.

IC RADIATION EXPOSURE STATEMENT:

This equipment complies with IC RSS-102 radiation exposure limits set forth for an uncontrolled environment. This equipment should be installed and operated so there is at least 8 inches (20 cm) between the radiator and your body. This device and it's antennas must not be co-located or operated in conjunction with any other antenna or transmitter except in accordance with FCC multi-transmitter product procedures.

SAVE THESE INSTRUCTIONS

Installation

Follow these instructions carefully to prevent accidents and to ensure the proper installation of this refrigerator.

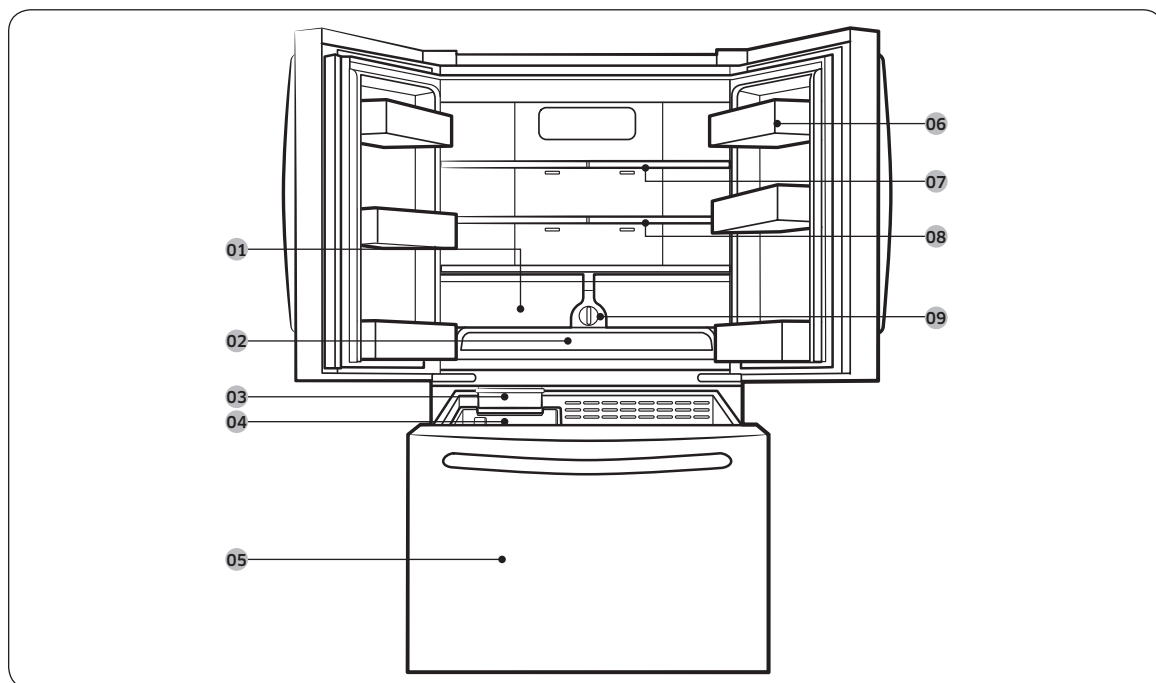
WARNING

- Use the refrigerator only for its intended purpose as described in this manual.
- Any servicing must be performed by a qualified technician.
- Dispose of the product packaging material in compliance with the local regulations.
- To prevent electric shock, unplug the power cord before servicing.

Your refrigerator at a glance

NOTE

Your refrigerator and the provided component parts of your refrigerator may differ from the illustrations in this manual, depending on the model and your country.



01 Vegetables & fruit drawers

03 Ice maker

05 Freezer

07 Fridge shelf

09 Water filter *

02 Cool Select pantry

04 Ice bucket

06 Door bins

08 2-Step foldable shelf

* applicable models only

 **NOTE**

- For energy efficiency, keep all shelves, drawers, and baskets in their original positions.
- When closing the door, make sure the vertical hinged section is in the correct position to avoid scratching the other door.
- If the vertical hinged section is reversed, put it back into the correct position, and then close the door.
- Moisture may form at times on the vertical hinged section.
- If you close a door forcefully, the other door may open.
- If the internal or external LED lamp is out of order, contact a local Samsung service center.

Installation

Step-by-step installation

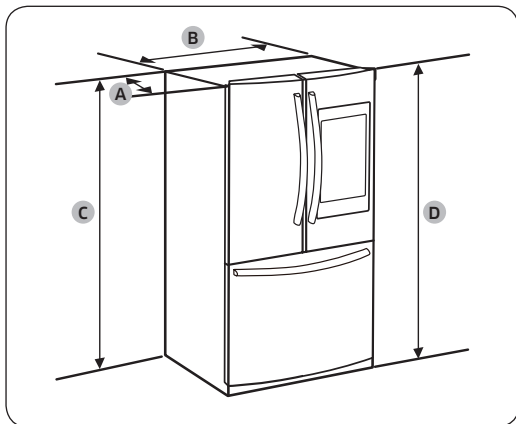
STEP 1 Select a site

The site must:

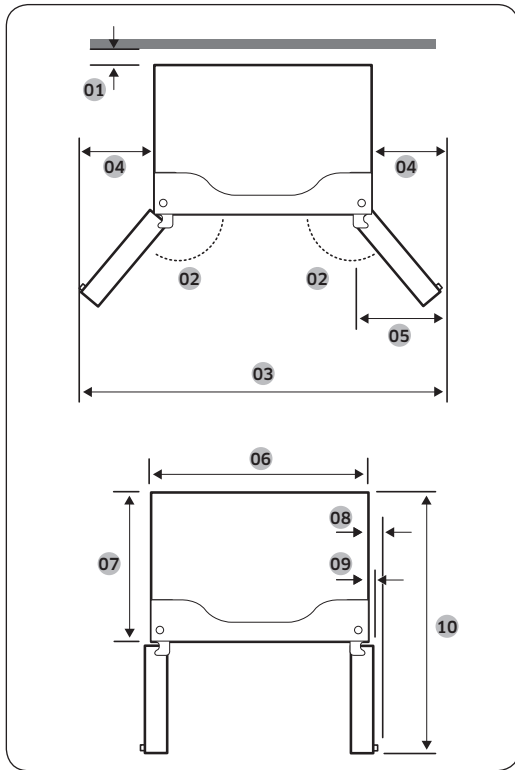
- Have a solid level surface without carpeting or flooring that may obstruct ventilation
- Be out of direct sunlight
- Have adequate room for opening and closing the door
- Be away from any heat source
- Provide room for maintenance and servicing
- Have a temperature range between 50 °F (10 °C) and 110 °F (43 °C)

Clearance

See the pictures and table below and on the next page for installation space requirements.



Model	RF262BEA*
Depth "A"	33 1/2" (850 mm)
Width "B"	35 3/4" (908 mm)
Height "C"	68 3/8" (1737 mm)
Overall Height "D"	70" (1778 mm)



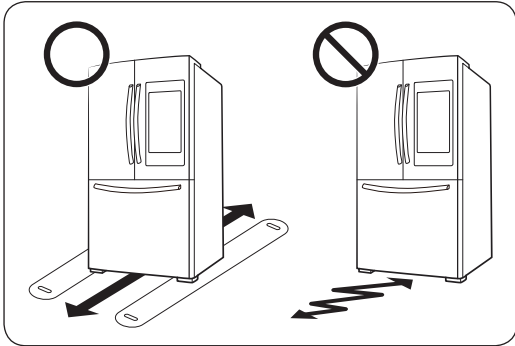
Model	RF262BEA*
01	2" (50 mm)
02	140°
03	63 3/4" (1620 mm)
04	14 5/8" (371 mm)
05	13 3/8" (340 mm)
06	35 3/4" (908 mm)
07	29 1/4" (745 mm)
08	3 3/4" (95 mm)
09	1 5/8" (40 mm)
10	48" (1220 mm)

NOTE

The measurements of your refrigerator may differ from those listed above, depending on the measuring method.

Installation

STEP 2 Flooring



- The surface of the installation location must support a fully loaded refrigerator.
- To protect the floor, put a large piece of cardboard under each leg of the refrigerator when you move it for installation.
- To protect the floor once the refrigerator is in its final position, do not move it unless necessary. If you have to move it, place thick paper or cloth such as an old carpet, along the movement path.

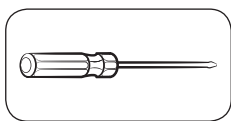
NOTE

If the refrigerator cannot pass through entrance to your home or kitchen due to its size, see **STEP 3 Door removal for entrance** starting on page 21.

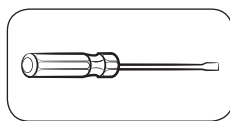
STEP 3 Door removal for entrance

If the refrigerator cannot pass through the entrance to your home or kitchen due to its size, follow these instructions to remove and then re-install the refrigerator's doors. If you do not need to remove the doors, go to page 18 for the installation instructions.

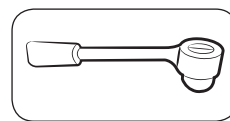
Tools required (not provided)



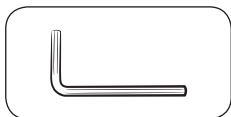
Phillips screwdriver



Flat-head screwdriver



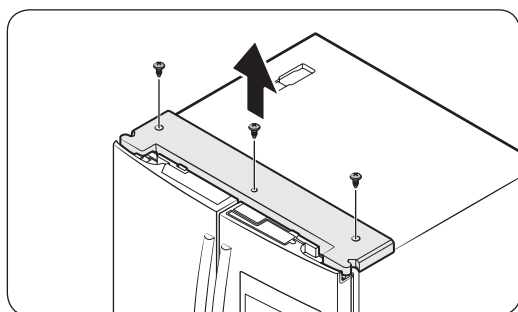
Socket wrench (10 mm)



Allen wrench (5 mm)

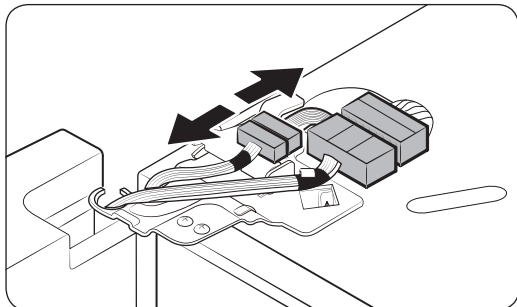
To detach the fridge doors

Left door



1. With the doors closed, use a Phillips head screwdriver to remove the screw (x3) in the top cover.

Installation



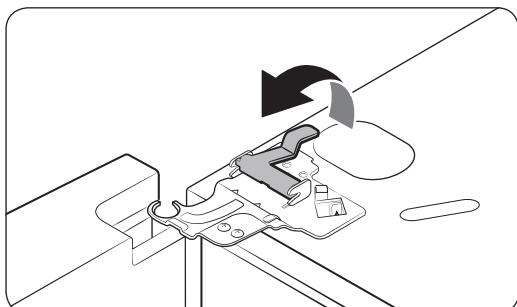
2. Disconnect the **wire connectors** (x3) on the left door. The position of the connectors differs with the model.

 **NOTE**

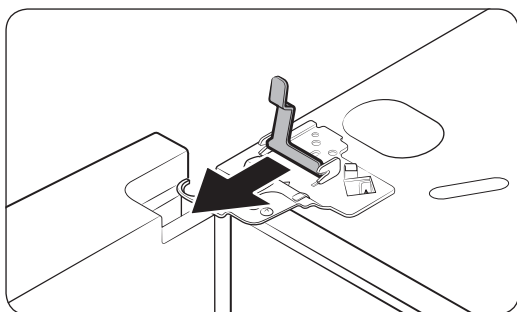
The position of the connectors differs with the model.

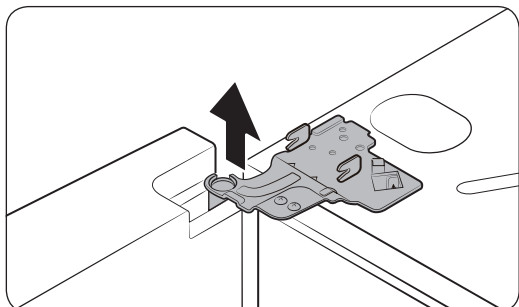
 **CAUTION**

- Do not remove both doors simultaneously. Make sure to remove one door at a time. Otherwise, one of the doors may fall and cause physical injury.
 - Make sure the refrigerator is off before disconnecting the connectors.
3. Gently draw up the clamp in several steps. To prevent finger injuries, do not apply a sudden force to the clamp.

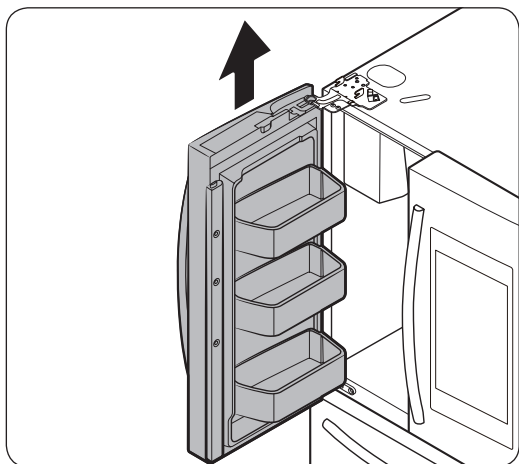


4. Pull up the clamp to remove.



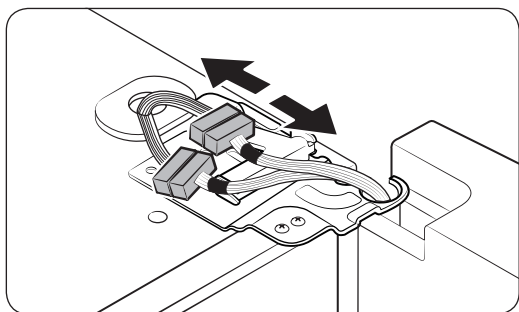


5. Open the door 90 degrees. While holding the door, pull up and remove the top hinge. Be careful not to damage the connector wires when you remove the hinge.



6. Gently pull up the door vertically to remove. Do not apply excessive force to the door. The door may fall, causing physical injury.
7. Lay the door down on a flat surface.

Right door

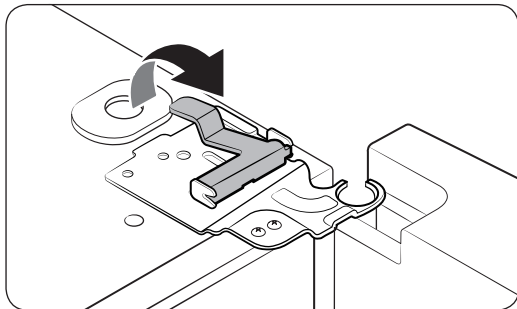


1. Disconnect the wire connectors (x2) on the right door. The position of the connectors differs with the model.

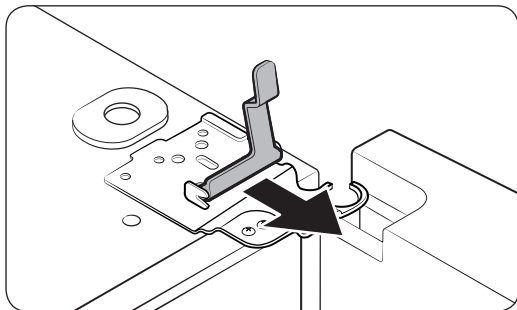
⚠ CAUTION

- Do not remove both doors simultaneously. Make sure to remove one door at a time. Otherwise, one of the doors may fall and cause physical injury.
- Make sure the refrigerator is off before disconnecting the connectors.

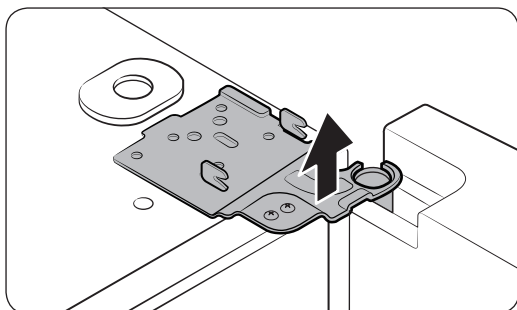
Installation



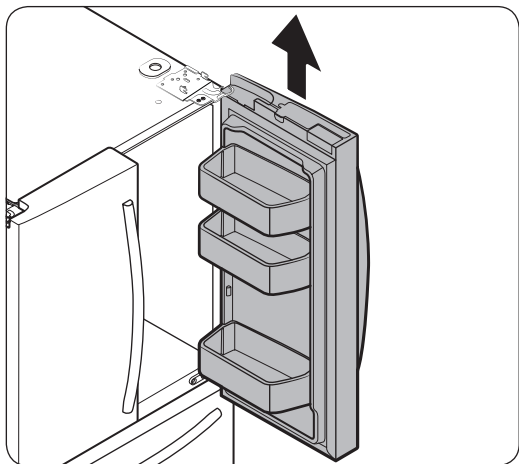
2. Gently draw up the clamp in several steps. To prevent finger injuries, do not apply a sudden force to the clamp.



3. Pull up the clamp to remove.



4. Open the door 90 degrees. While holding the door, pull up and remove the top hinge. Be careful not to damage the connector wires when you remove the hinge.



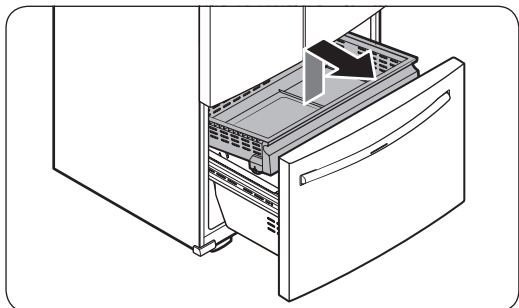
5. Gently pull up the door vertically to remove. Do not apply excessive force to the door. The door may fall, causing physical injury.
6. Lay the door down on a flat surface.

To reattach the fridge doors

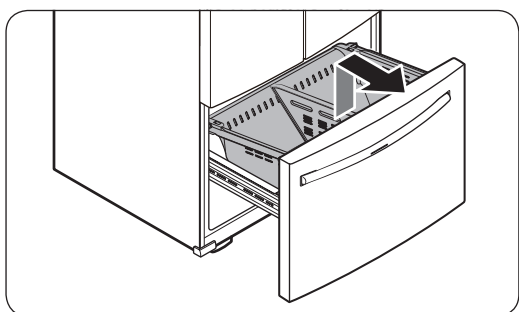
Once the refrigerator is in or near its final location, re-attach the doors by following the directions in the reverse order of removal.

Installation

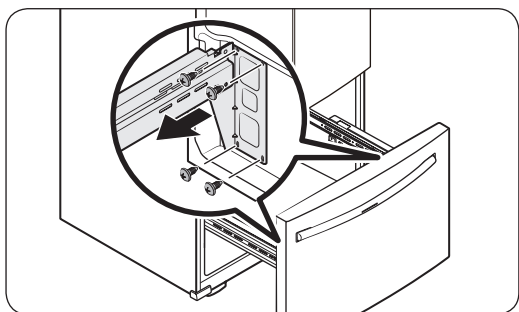
To detach the freezer drawer



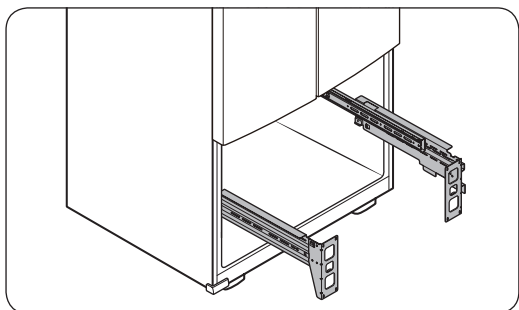
1. Slide open the freezer drawer and remove the **upper basket**.



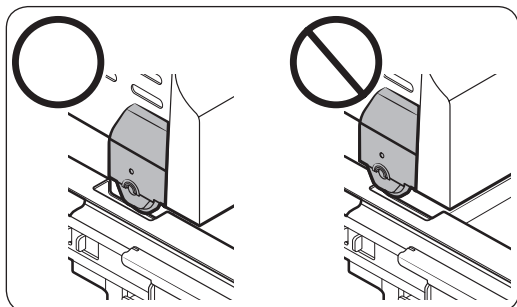
2. Pull up to remove the **lower basket** from the rail assembly.



3. Remove the screws (x4) on each side of the rail assembly.



4. Then, remove the drawer front with both hands.



CAUTION

- Use caution not to scratch or dent the rail assembly.
- Make sure you mount the freezer baskets in the correct position. Otherwise, the door does not open or close properly, which causes frost to build up.
- Do not store too much food in the freezer drawer. This prevents the freezer drawer from closing properly, resulting in frost buildup.

To reattach the freezer drawer

Once the refrigerator is in or near its final location, re-attach the freezer drawer by following the directions in the reverse order of removal.

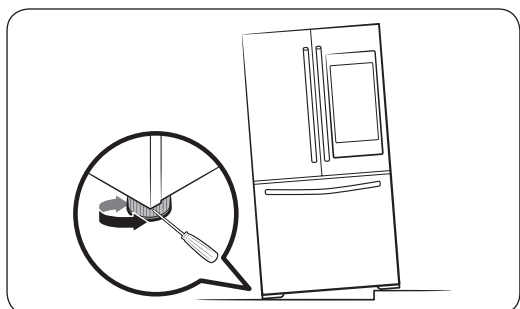
Installation

STEP 4 Adjust the levelling feet

CAUTION

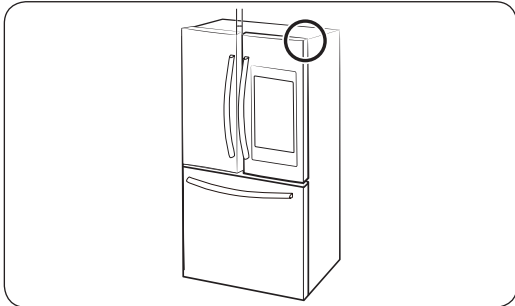
- When installed, the refrigerator must be leveled on a flat, solid floor. Not leveling the refrigerator can cause damage to the refrigerator or physical injury.
- Levelling must be performed with the refrigerator empty. Make sure no food items are inside the refrigerator.
- For safety reasons, adjust the front a little higher than the rear.

Level the refrigerator using the special screws (levellers) on the front legs. Use a flat-head screwdriver to turn the levellers.

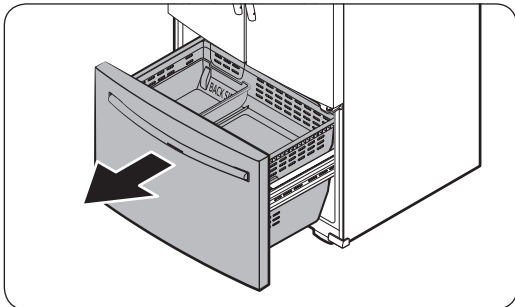


- To adjust the height of the left side: Insert a flat-head screwdriver into the leveller of the left side front leg. Turn the leveller clockwise to raise the left side or turn it counterclockwise to lower.
- To adjust the height of the right side: Insert a flat-head screwdriver into the leveller of the right side front leg. Turn the leveller clockwise to raise the right side or turn it counterclockwise to lower.

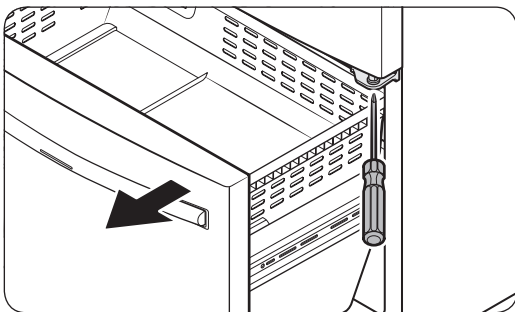
STEP 5 Adjust the door height



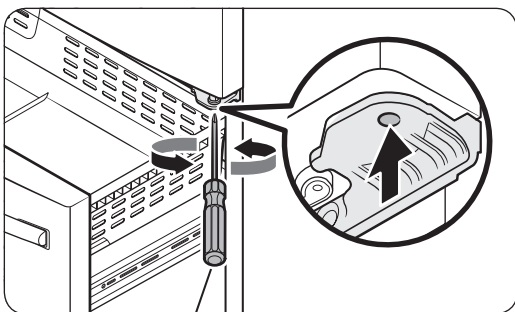
The door height can be corrected using the height bolt on the middle hinge of the refrigerator.



1. Slide open the freezer drawer to reveal the middle hinge.



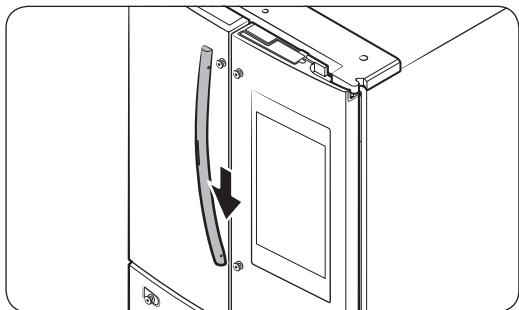
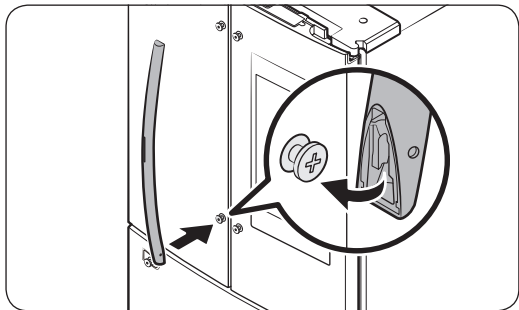
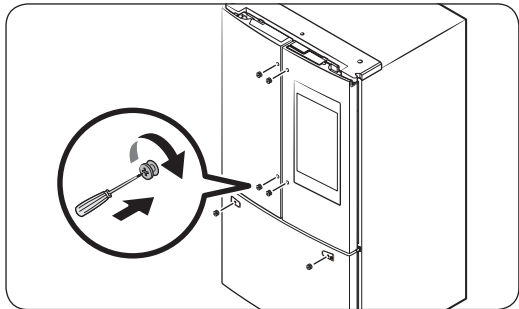
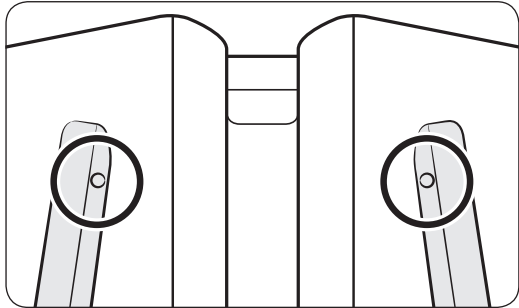
2. Insert a Phillips screwdriver into the height bolt on the middle hinge.



3. Determine whether the door is to be raised or lowered.
 - To lower the door, turn the height bolt clockwise.
 - To raise the door, turn the height bolt counterclockwise.

Installation

STEP 6 Attach the handles



CAUTION

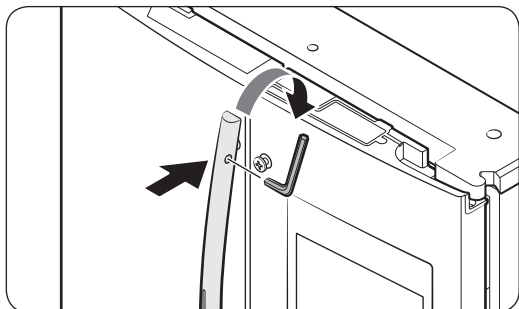
The refrigerator handles must be oriented in the correct direction.

- The fridge handles must be attached so that their holes face each other.
- The freezer handle must be attached so that its hole faces downwards.

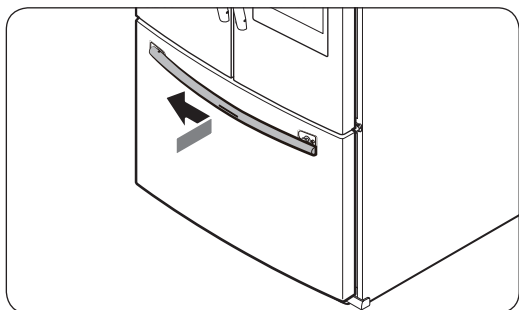
1. The left and right handles of the fridge as well as the freezer handle can be fixed to the refrigerator using the handle screws, two for each handle respectively.

2. To fix the fridge handles to the refrigerator, first place the lower side of one handle onto the lower handle screw.

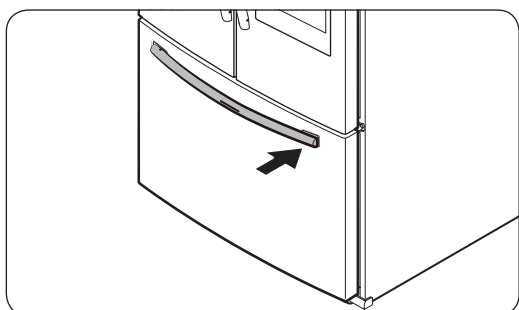
3. Push the handle down, and then place the upper side of the handle onto the upper handle screw.



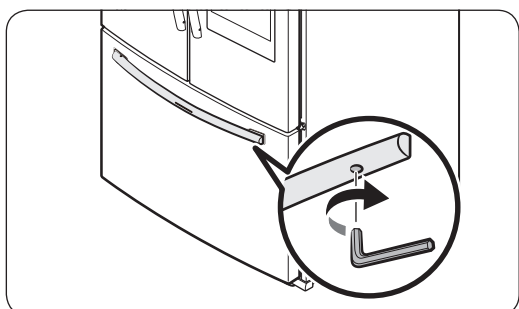
4. Insert the supplied wrench into the handle hole, and then turn it clockwise to tighten.
5. Repeat Steps 2 through 4 with the second refrigerator door handle.



6. To fix the freezer handle to the refrigerator, first place the left side of the freezer handle onto the left handle screw.



7. Push the handle to the left, and then place the right side of the freezer handle onto the right handle screw.



8. Insert the supplied wrench into the handle hole, and then turn it clockwise to tighten.

Installation

STEP 7 Connect the water dispenser line (applicable models only)

A water dispenser with a filter is one of the helpful features on your new refrigerator. To help promote better health, the water filter removes unwanted particles from your water. However, it does not sterilize or destroy microorganisms. You may need to purchase a water purifying system to do that.

The water line also connects to the ice maker. For the ice maker to operate properly, a water pressure of 20-125 psi (138-862 kPa) is required.

If the refrigerator is installed in an area with low water pressure (below 20 psi), you can install a booster pump to compensate for the low pressure.

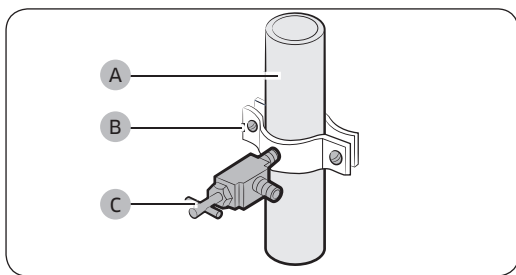
After you have connected the water line, make sure the water storage tank inside the refrigerator is properly filled. To do this, press the water dispenser lever until the water runs from the water outlet.

NOTE

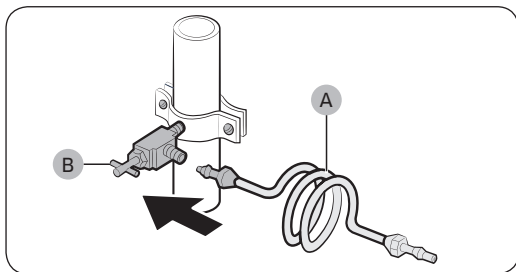
- Water line installation kits are available at extra cost from your retailer. We recommend using a water line installation kit that contains copper tubing and a 6 mm (1/4") compression nut.
- Use the new hose-sets supplied with the appliance only. Do not re-use an old hose set.

WARNING

- Keep ventilation openings, in the appliance enclosure or in the built-in structure, clear of obstruction. Connect to potable water supply only.



1. Shut off the main water source.
2. Insert the pipe clamp (B) and the shut off valve (C) into the cold water line (A).

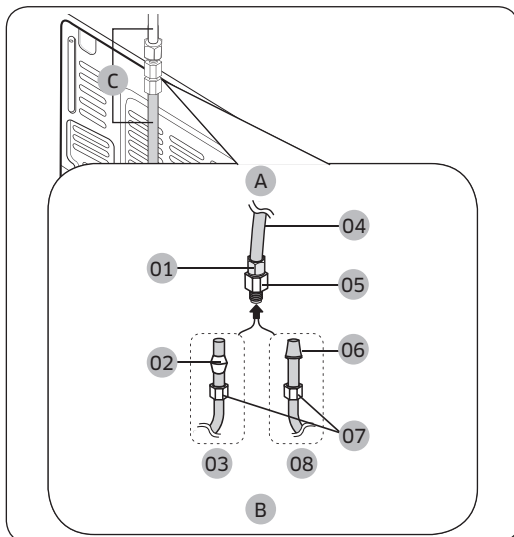


3. Connect the water line installation kit (A) to the shut off valve (B).

Connect the water supply line to the refrigerator

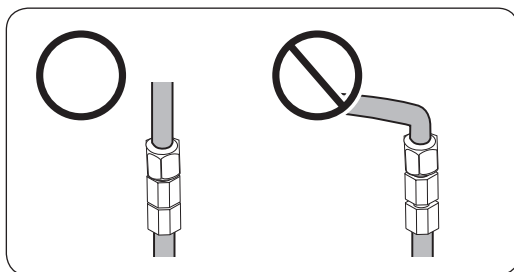
There are several items you must purchase to complete this connection. You may find these items sold as a kit at your local hardware store.

Copper Tubing	<ul style="list-style-type: none"> • 1/4" copper tubing • 1/4" compression nut (1 pc) • Ferrule (2 pc)
Plastic Tubing	<ul style="list-style-type: none"> • 1/4" plastic tubing → Molded end (Bulb) • 1/4" compression nut (1pc)



- A. Refrigerator
- B. Household water supply line
- C. Water Line: Must be kept straight.

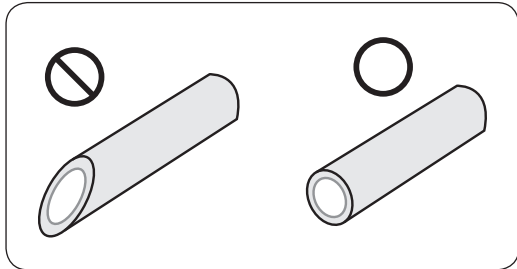
- 01 Compression Nut (1/4") (Assembled)
- 02 Ferrule (Not supplied)
- 03 Copper tubing (Not supplied)
- 04 Plastic Tubing (Assembled)
- 05 Compression Fitting (Assembled)
- 06 Molded end (Bulb)
- 07 Compression nut (B) (1/4") (Not supplied)
- 08 Plastic Tubing (A) (Not supplied)



NOTE

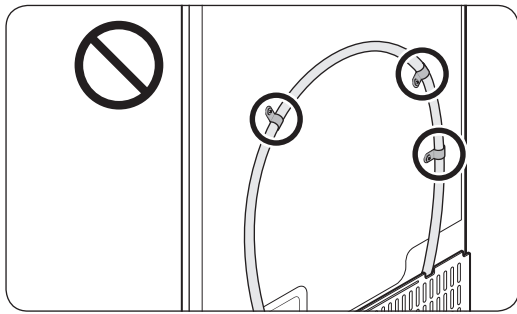
If you have to relocate the refrigerator after connecting the **water line (C)**, make sure the joined section of the water line is straight.

Installation



⚠ CAUTION

- The water line must be connected outside of the refrigerator.
- Do not use copper lines.
- If cutting the tubing for resizing, make sure the ends of the tubing are vertically clean cut.



⚠ CAUTION

Do not mount the water filter on any part of the refrigerator. This may damage the refrigerator.

1. Connect the household water line to the assembled compression fitting.
 - If you are using copper tubing, slip the **compression nut (B)** (not supplied) and **ferrule** (not supplied) on the copper tubing (not supplied) as shown.
 - If you are using plastic tubing (A), insert the molded end (Bulb) of the plastic tubing (A) into the compression fitting.

⚠ CAUTION

If you use plastic tubing, (A) do not use it without the molded end (Bulb).

2. Tighten the **compression nut (B)** onto the **compression fitting**. Do not over-tighten the **compression nut (B)**.
3. Turn the water on and check for any leakage. If you find water drops or leakage in the connection areas, turn off the main water supply. Check the connections and, if necessary, tighten.
4. Flush 1 gallon of water through the filter before drinking or using the water from the refrigerator. (Flush approximately 6 minutes.) To flush, press a large glass or cup against the water dispenser lever. Fill the glass, empty it, and then repeat.
5. After you turn on the refrigerator, let the ice maker make ice for 1 to 2 days. Over that period of time, throw out the first 1 or 2 buckets of ice the ice maker makes to ensure all impurities have been removed from the water line.

NOTE

Only connect the water line to a potable water source.

- If you have to repair or disassemble the water line, cut off 1/4" of the plastic tubing to make sure you get a snug, leak-free connection.
- You can test the water line quickly using a paper cup. Under normal conditions, the water dispenser can fill a 5 3/4 oz. (170 cc) cup in about 10 seconds.

STEP 8 Initial settings

After you complete the following steps, the refrigerator should be fully functional.

1. Plug the power cord into the wall socket to turn the refrigerator on.
2. Open the door, and check if the interior light lights up.
3. Set the temperature to the coldest setting, and then wait for about an hour. Then, the freezer will be slightly chilled, and the motor should be running smoothly.
4. Wait until the refrigerator reaches the set temperature. Now the refrigerator is ready to use.

STEP 9 Final check

When installation is complete, confirm that:

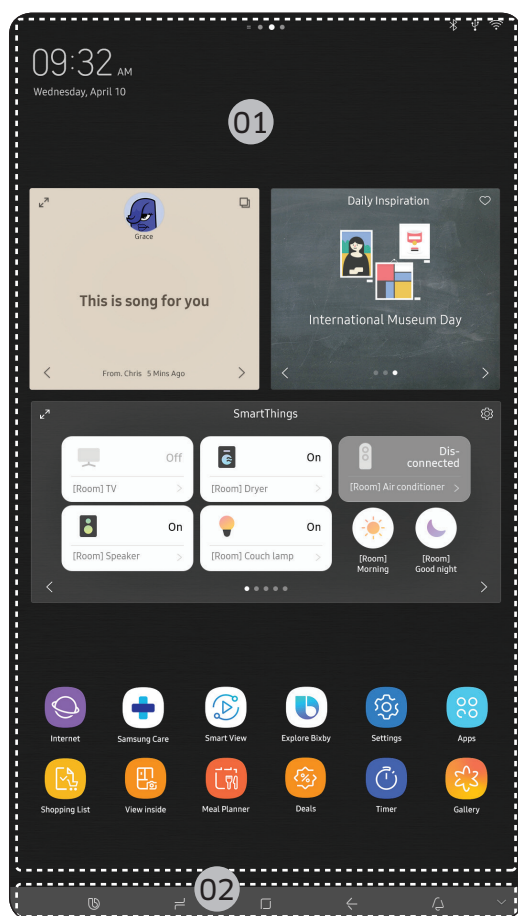
- The refrigerator is plugged into an electrical outlet and grounded properly.
- The refrigerator is installed on a flat, level surface with appropriate clearance between it and any walls or cabinets.
- The refrigerator is level and is sitting firmly on the floor.
- The door opens and closes freely, and the interior light turns on automatically when you open the door.

Operations

User interface

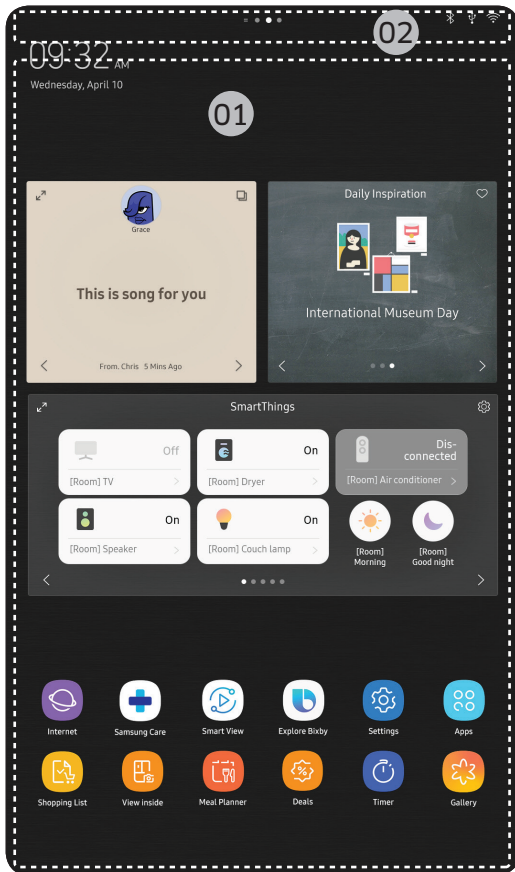
NOTE

- For more information about other menus and apps available on the Refrigerator app. See the Online manual of your refrigerator.
- The content of apps and widgets, or their design is subject to change or support may be discontinued without notice, depending on the content provider's policy.
- Children's use of the refrigerator's functions, apps, and services must be supervised by adults.
- Underage transactions with the services must be supervised by adults.



- 01** Home screen
- 02** Soft buttons

01 Home screen



01 Apps & Widgets

- Tap a desired app or widget to launch it.
- Tap and hold an app or widget to enter Edit mode. A grid appears. In Edit mode, you can drag and drop an app or widget to a new position on the grid. When you move the app or widget to a new grid location, the location turns grey if it is available. If it is not available, it turns red.
- You can add an app or widget that has been removed from the Apps list.

02 Status bar

- Displays the status of various functions. (Refer to the following Icon descriptions table.)

Icon descriptions

Bluetooth (⌘)	Indicates Bluetooth connection status.
USB (ψ)	Indicates USB connection status. NOTE The refrigerator supports USB memory that is formatted in the FAT32 or exFAT file systems. NTFS is not supported. Be sure to convert NTFS to FAT32 or exFAT before use.
Remote Management (Ⓜ)	Turns on when Remote Management is enabled and running.
Network (📶)	Indicates network connection status in 5 levels (Off, 1-4).
Software Update (🔄)	Indicates that the newest version of the refrigerator's software has been downloaded from the server and is ready to update.

Operations

Notification (🗨️)	Indicates there is a notification message.
Cloud sync (☁️)	Indicates Family Hub is receiving data from the cloud server.
Energy Saver (🔋)	Indicates Energy Saver is on.

02 Soft buttons



01 Bixby

- Tap to use Bixby.

02 Task Manager

- Tap to open the Task Manager.
- See the **Task Manager** section for details.

03 Home

- Tap to open the Home screen.

04 Return

- Tap to return to the previous screen.

05 Notification

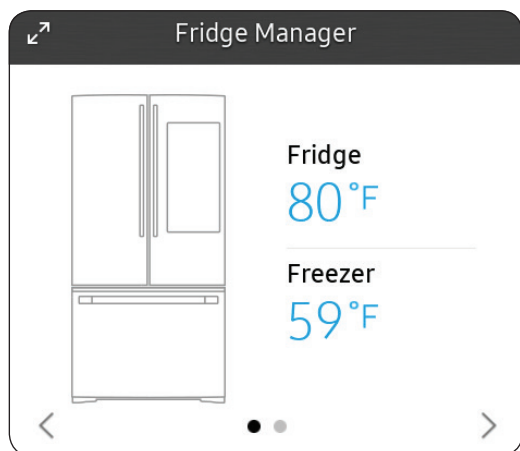
- Tap to display the Quick Panel.

06 Hide/Show

- Tap to hide or show Soft buttons.
- The Hide/Show button only appears when an app is active.

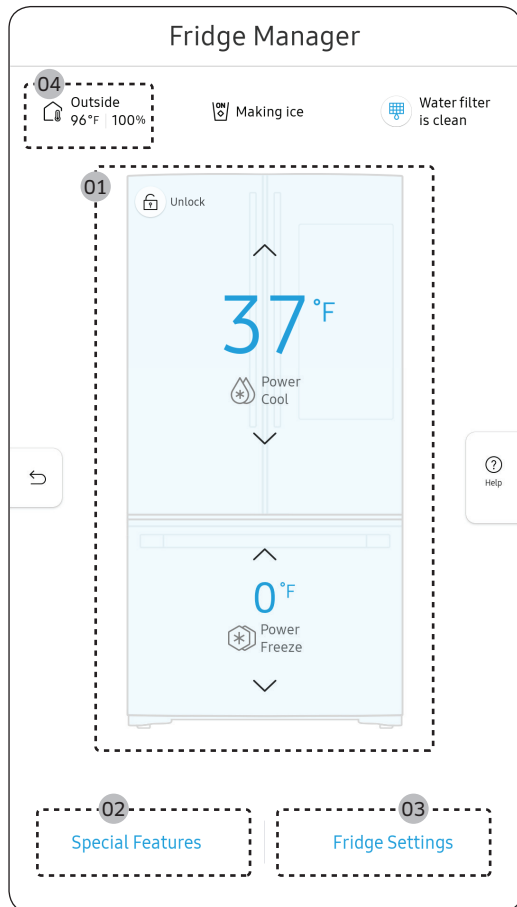
Fridge Manager

To access Fridge Manager, swipe the Home screen to the left, and then tap the **Fridge Manager** widget.



- Tap < or > on the bottom of the widget to move between pages.
- On the first page, you can check the current temperatures or modes of each compartment as well as active special functions.
- Tap the first page to open the Fridge Manager for detailed settings.
- On the second page, you can check the filter status.
- Tap **Buy Filter** on the second page to open the website where you can purchase a water filter.

Operations



The Fridge Manager is a graphical representation of your refrigerator. The top half represents the refrigerator compartment, the bottom left the freezer compartment, and the bottom right the FlexZone. The temperature or mode settings for each are displayed over each section.

Fridge Manager At a Glance

01 Temperature

Change the set temperature in the fridge, freezer, and FlexZone. You can also turn on and turn off the refrigerator's Power Cool function and the freezer's Power Freeze function.

- Power Freeze speeds up the freezing process at maximum fan speed. The freezer keeps running at full speed for several hours and then returns to the previous temperature.
- To freeze large amounts of food, activate Power Freeze at least 20 hours before putting food in the freezer.

NOTE

Using Power Freeze increases power consumption. Make sure you turn it off so the freezer returns to its previous temperature if you do not need it any longer.

02 Special Features

View a short explanation of some of the refrigerator's special features.

03 Fridge Settings

Change many of the fridge's settings including settings for ice making, the door alarm, and the temperature units (°F or °C). See the next page for details.

04 External Conditions


Displays the external (ambient) temperature and humidity.

 **NOTE**

The displayed conditions may differ from the actual temperature and humidity.

 **NOTE**

Also displayed is the **Ice Maker off** (ice making off) indicator at the top, center. When the indicator displays **Ice Maker off**, the refrigerator's ice maker is turned off.

Ice Maker (applicable models only)	Turns the icemaker on and off. Tap and drag the button to turn on or off. Note that if the ice bucket is full of ice, the refrigerator does not start making ice when you turn on the icemaker, but displays the Ice Full indicator on the main screen. If you hold down the dispenser lever for 5 seconds, the Ice Maker Off status changes to Making ice. If you hold down the dispenser lever for 5 seconds, the Ice Maker Off status changes to Ice Maker On.
Door Alarm	The door alarm sounds if you leave the door open. Tap and drag the button to turn on or off.
Temp. Unit	Switch the temperature scale between Celsius and Fahrenheit. Touch °F or °C to change the scale.
Water Filter (applicable models only)	Provides a water filter replacement tutorial and lets you reset the water filter replacement indicator. Tap to open.  NOTE <ul style="list-style-type: none">• After installing the water filter, tap Water Filter, and then tap Reset. Tapping Reset re-initializes the function that measures the time remaining until the water filter needs to be replaced again.• If you tap Buy Filter, you will be directed to the website where you can purchase a water filter.
Self Check	Self Check is a self diagnoses function. Tap to open. Tap Start to run.
Energy Saver	Tap and drag this button to turn Energy Saver mode on and off. The Energy Saver function automatically turns on when power is supplied to the refrigerator. Settings of Energy Saver may differ with the model. If condensation or water drops appear on the doors, turn the Energy Saver mode off.

Operations

Demand Response (applicable models only)	Works with the Smart Grid energy saving manager. Tap to open. Tap and drag the button to turn on or off. See the Smart Grid section in this manual for more information.
Cooling Off	<p>Cooling Off mode (also called Shop mode), is designed for use by retailers when they are displaying refrigerators on the shop floor.</p> <p>In Cooling Off mode, the refrigerator's fan motor and lights work normally, but the compressors do not run, and the refrigerator and freezer do not get cold. If Cooling Off is turned on, all cooling controls will turn to OFF on the Fridge Manager.</p> <ul style="list-style-type: none">• To activate Cooling Off, tap Activate > Proceed from Cancel/Proceed.• To deactivate Cooling Off, tap Deactivate > Proceed from Cancel/Proceed.

Settings

Connections	Wi-Fi	<ul style="list-style-type: none"> Turn on or turn off a Wi-Fi connection. The current Wi-Fi network is listed first in the access point (AP) list.
	Network Status	<ul style="list-style-type: none"> You can check your Network Status by Selection of Network Status Menu.
	Bluetooth and Speaker	<ul style="list-style-type: none"> When the Speaker mode is on, you can listen to music and media on your mobile phone or tablet through Family Hub's speaker. <ul style="list-style-type: none"> Only one connected mobile phone or tablet is listed. When the Speaker mode is off, you can search and connect to nearby Bluetooth-enabled devices. <ul style="list-style-type: none"> Up to 4 recently paired Bluetooth devices are listed. To add a new device when 4 paired devices are listed, first unpair a paired device from the device list. Available devices are Bluetooth-enabled headsets, headphones, and speakers.
	Easy Connection	<ul style="list-style-type: none"> Easy Connection can be used with Samsung Smartphone apps, and allows you to connect your device to the same home Wi-Fi network that your smartphone is connected to.
Display	Display	<ul style="list-style-type: none"> You can set the screen brightness, wallpapers, auto wake-up, theme, screen timeout, and duration of the screen saver.
	Clean screen mode	<ul style="list-style-type: none"> Turn on so you can clean the screen without activating any apps.
Sound		<ul style="list-style-type: none"> Set the volume and equalizer and turn on or turn off the touch sound.
Notifications		<ul style="list-style-type: none"> You can turn on or turn off Preview of Notification.
Profile		<ul style="list-style-type: none"> You can add, edit, or delete a profile.

Operations

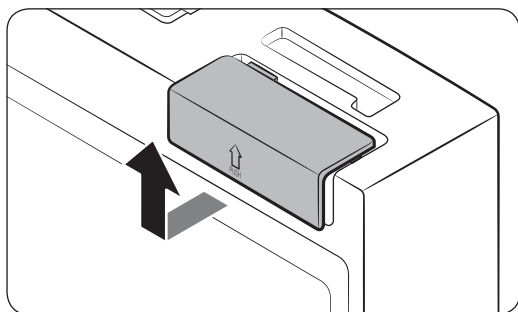
Bixby		<ul style="list-style-type: none"> You can set the function that related with voice recognition. Language and Voice Style : Set the language to communicate with Bixby and set the style of voice feedback. The selected language is applied only when you talk with Bixby. Sound feedback : Change the sound feedback settings. Voice wake-up : Set Bixby to wake up when it hears you say “Hi, Bixby”. You can also change the settings for the voice wake-up feature. Voice ID : Change the Voice ID settings. You can also register and delete the Voice ID. Privacy : Set to use Bixby’s interactive and customised services to enhance your experience. About Bixby : View the Bixby version and legal information.
Security		<ul style="list-style-type: none"> Enable or disable restrictions on Family Hub features and apps.
Storage		<ul style="list-style-type: none"> You can check saving storage of each app and check saving storage of Images.
Language and Time	Language	<ul style="list-style-type: none"> Select a preferred language. Available languages depend on the sales region.
	Date and Time	<ul style="list-style-type: none"> Make sure the Auto update function is on with a proper Wi-Fi network connection. Open the fridge door and locate the display reset button on the inner side of the door. Press the button and press again to reset the display. Then, the date and time will be synced by the time server. You can change the time zone through the Time zone menu.

About Family Hub	Device information	<ul style="list-style-type: none"> • Make sure the Software Update function is on with a proper Wi-Fi network connection. • When updates are available, the Update button becomes active. When updates are complete, the refrigerator restarts automatically. • Legal information displays the Open Source License Agreement. Tap the list item to open the Open Source Announcement.
	Restart and Factory Data Reset	<ul style="list-style-type: none"> • You can restart Family Hub LCD by selection of Restart Button. • You can initialize Setting of Wi-Fi and Bluetooth by selection of Reset network Settings Button. • Tap Reset to restart the refrigerator by selection of Factory Data Reset button. All user data will be removed permanently. Data that will be removed includes account information, memos, photos, and user settings. <p>⚠ CAUTION Once factory reset is complete, no user data can be recovered.</p>
Help & Contact Us	Online Manual	<ul style="list-style-type: none"> • The online manual will walk you through various menus and apps that the refrigerator provides directly on the display.
	Remote Management	<ul style="list-style-type: none"> • Use Remote Management to allow a service representative to remotely diagnose problems and provide solutions. • Remote Management requires a Wi-Fi connection. • The Remote Management menu does not appear on models that do not support Remote Management.

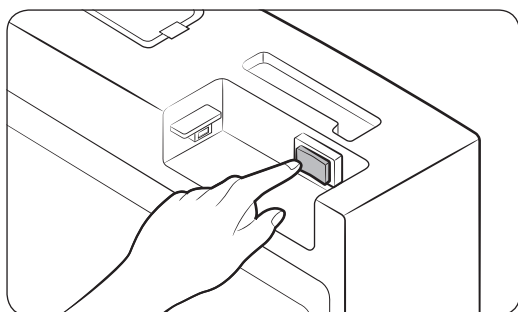
Operations

Display reset (applicable models only)

If the display is not working correctly, try resetting the display. This may resolve the problem.



1. Open the right-side fridge door and locate the switch cover on the top right corner of the door.
2. Push up the cover to reveal the power switch.



3. Turn the switch off, and then turn it on again.
4. Reinsert the switch cover. You will hear a click when the cover is in place.

SmartThings

Installation

Visit the Google Play Store, Galaxy Apps, or Apple App Store and search for “SmartThings”. Download and install the SmartThings app provided by Samsung Electronics to your smart device.

NOTE

- The SmartThings app is not available for some tablet and iPad and some smartphone.
 - support that [Android] OS 6.0 or higher (mimimum 2GB RAM Size)
 - support that [iOS]10.0 or higher/iPhone6 or higher
- For improved performance, the SmartThings app is subject to change without notice or discontinued support according to the manufacturer’s policy.
- Recommended encryption systems include WPA/TKIP and WPA2/AES. Any newer or non-standard Wi-Fi authentication protocols are not supported.
- Wireless networks may be affected by the surrounding wireless communication environment.
- If your Internet service provider has registered the MAC address of your PC or modem for identification, your Samsung Smart Refrigerator may fail to connect to the Internet. If this happens, contact your Internet service provider for technical assistance.
- The firewall settings of your network system may prevent your Samsung Smart Refrigerator from accessing the Internet. Contact your Internet service provider for technical assistance. If this symptom continues, contact a local Samsung service center or retailer.
- To configure the wireless access point (AP) settings, see the user manual of the AP (router).
- Samsung Smart Refrigerators support both IEEE 802.11 b/g/n (2.4GHz) and 802.11a/n/ac (5GHz) protocols. (IEEE 802.11 n and 802.11ac are recommended.)
- Unauthorized Wi-Fi wireless routers may fail to connect to applicable Samsung Smart Refrigerators.

Operations

Samsung account

You are required to register your Samsung account to use the app. If you don't have a Samsung account, follow the app's onscreen instructions to create a free Samsung account.

Getting started

Turn on the device you want to connect, open the SmartThings app on your phone, and then follow the instructions below.

If a pop-up appears saying that a new device has been found, tap **ADD NOW**.

If a pop-up doesn't appear, tap the **+** button, and then select the device you want to connect from the list of available devices.

If your device isn't in the list of available devices, tap **Supported Devices**, select the device type (Refrigerator), and then select the specific device model.

Follow the instructions in the app to set up your device. Once setup is complete, your refrigerator will appear as a "card" on your **Devices** screen.

Refrigerator app

Integrated control

You can monitor and control your refrigerator at home and on the go.

- Tap the refrigerator icon on the SmartThings Dashboard or tap the Devices icon at the bottom of the Dashboard, and then tap the refrigerator "card" to open the Refrigerator page.
- Check the operation status or notifications related to your refrigerator, and then change options or settings if necessary.



NOTE

Some options or settings of the refrigerator may not be available for remote control.

Category	Item	Description
Monitoring	Fridge temperature	Displays the desired temperature setting of the fridge.
	Freezer temperature	Displays the desired temperature setting of the freezer.
	Pantry Room settings	Displays the settings of the Cool Select Pantry.
	Diagnosis	Detects abnormal operations of the refrigerator.
	Energy monitoring	Checks the accumulated power consumption of the refrigerator for the last 180 days.
Functions	Ice making	You can turn the ice making function on or off, and check the current settings of the function.
		You can also check the status and progress of ice making.
	Power Cool	You can turn Power Cool on or off, and check the current settings.
	Power Freeze	You can turn Power Freeze on or off, and check the current settings.
	Fridge temperature	You can change the desired temperate setting of the Fridge.
	Freezer temperature	You can change the desired temperate setting of the Freezer.
	FlexZone	You can change the mode of the FlexZone.
Alarms	Abnormally high temperature	This alarm is triggered when the fridge or freezer has abnormally high temperatures.
	Door opening	This alarm is triggered if the fridge door or freezer drawer is left open for a specific time.
	Water filter replacement	This alarm reminds you that the water filter must be replaced.
Inside Image		You can view the inside of the refrigerator and you can know when to replace food items.
Family Hub App Link		You can connect to the App Store and download the Refrigerator app.

Operations

SMART GRID Function (Demand Response) (applicable models only)

When the refrigerator operates in SMART GRID (Demand Response) mode, the Energy Management Refrigerator function can control energy usage or delay the operation of some functions to save money when energy prices or demand are the highest.

NOTE

- You can deactivate the SMART GRID (Demand Response) function at any time using the Override On/Off function.
- To use the SMART GRID (Demand Response) function, you need a separate contract with your electric utility company.

In addition, to use the Smart Grid (Demand Response) function, you must register for the service with your electric company. The company must have an EMS (Energy Management System) that supports SEP (Smart Energy profile).

Using the SMART GRID (Demand Response) Function

This feature monitors energy prices and demand information from your utility company and sends notifications to the refrigerator to run high energy consuming tasks during off-peak times when electricity costs and demand are lower.

If the refrigerator receives a control signal from the utility company, the refrigerator will display the **DAL** (L3) ~ **TALR** (L4) levels on the refrigerator display and control the power consumption according to the level.

Exception condition: The **DAL** and **TALR** control signals from a utility company work as long as product performance is maintained.

If the refrigerator receives the SMART GRID (Demand Response) signal (**DAL** or **TALR**), the refrigerator will operate in Delay Appliance Load or Temporary Appliance Load Reduction mode.

- Delay Appliance Load (L3): The refrigerator responds to a **DAL** signal by providing a moderate load reduction for the duration of the delay period. This function controls functions that consume a lot of energy such as adjusting the Cooling system, running the defrost cycle, and making ice.
 - **DAL** mode is automatically deactivated after it lasts for the amount of time stipulated by the **DAL** signal (max. 4.5 hours) or when the Override function is turned on.

-
- Temporary Appliance Load Reduction (L4): The refrigerator responds to a **TALR** signal by aggressively reducing the load for a short time period. This function reduces energy consumption by stopping the compressor and controlling the functions that consume a lot of energy such as the defrost cycle and making ice.
 - **TALR (L4)** mode is automatically deactivated after it lasts for the received duration (max. 15 minutes), or when the Override function is turned on. The mode is immediately deactivated and the refrigerator returns to the normal state when the door is opened or closed, or the dispenser is used.

To check the MAC address

1. Tap the **Settings** icon on the Home screen.
2. Scroll down to and open **About Family Hub**.
3. The screen displays (among others) the Wi-Fi MAC address.

Override Mode

When you want the refrigerator to ignore the SMART GRID (Demand Response) signal from the utility company, you can activate **OVERRIDE** mode.

When you activate **OVERRIDE** mode, the refrigerator ignores the SMART GRID (Demand Response) signal and is not controlled by the utility company.

Activating and deactivating Override mode

1. Tap the **Fridge Manager** icon.
2. On the bottom of the Fridge Manager screen, tap the **Fridge Settings** icon.
3. Tap **Demand Response**.
4. Slide the **Peak Demand Off (Override)** button to the **ON** or **OFF** position.

NOTE

- Alternatively, you can activate or deactivate **OVERRIDE** mode using the SmartThings app and the Energy Management function. See the next page.

Operations

Using the Energy Management Function

The Energy Management function enables you to control and monitor your Energy Management refrigerator using the SmartThings app for your convenience.

NOTE

- To use the Energy Management refrigerator functions, you have to install the corresponding app first.
1. Operational Status
 - You can check the DR and Override status.
 2. Energy Consumption Reporting
 - Shows the accumulated power consumption. Power consumption data is updated every 5 minutes.

NOTE

The energy consumption report may differ from the power consumption specifications of the product depending on the operating environment and the quantity and type of stored food.

3. Delay Defrost Capability
 - The Delay Defrost Capability function saves energy by delaying the defrost operation to a time specified by the user. You can configure the time, and this function will save energy during the specified period in a 24 hour cycle. If the time is not set, the function works with the default time settings. The default time settings are below:
 - 6 am to 10 am: November 1st to April 30th.
 - 3 pm to 7 pm: May 1st to October 31st.

To change the time setting for the Delay Defrost Capability

You can change the time setting for the Delay Defrost Capability on the app.

Provision for Open Access to the Connected Product Requirements

1. SGIP Open Standards (Smart Energy Profile 2.0 - <http://www.csep.org/>)
 - Energy Consumption Reporting
 - Demand Response
2. OPEN API
 - Operational Status, User Settings & Messages
 - ICE Maker Status: GET /icemaker/status/vs/0
 - Door Open Alarm: GET /doors/vs/0
 - DR Status: GET /drlc/vs/0
 - Delay Defrost Capability
 - Set Schedule of the Defrost Delay: POST /defrost/reservation/vs/0?op=add
 - Get Schedule of the Defrost Delay : GET /defrost/reservation/vs/0
 - Delete Schedule of the Defrost Delay: POST /defrost/reservation/vs/0?op=remove
 - Defrost Delay On/OFF: POST /defrost/delay/vs/0

Operations

Recommendations for voice recognition

For the voice recognition function, there is a built-in microphone at the top of the refrigerator's display. To use the voice recognition function:

- Stand no more than 3 feet (1 meter) from the refrigerator and speak loudly and clearly towards the built-in microphone.
- Speak at a regular pace. Reduce ambient noises, such as noises from a living-room TV.

NOTE

The voice recognition function may not work if you stand more than 3 feet (1 meter) away or if you speak too softly.

Samsung Family Hub

Installation

Visit the Google Play Store, Galaxy Apps, or Apple App Store and search for "Samsung Family Hub". Download and install the Samsung Family Hub app provided by Samsung Electronics to your smart device.

NOTE

- The Samsung Family Hub app is not available for some tablet and iPad and some smartphone.
 - support that [Android] OS 6.0 or higher (mimimum 2GB RAM Size)
 - support that [iOS]10.0 or higher/iPhone6 or higher.
- For improved performance, the Samsung Family Hub app is subject to change without notice. Support may be discontinued according to the manufacturer's policy.
- Wireless networks may be affected by the surrounding wireless communication environment.
- If your Internet service provider has registered the MAC address of your PC or modem for identification, your Samsung Smart Refrigerator may fail to connect to the Internet. If this happens, contact your Internet service provider for technical assistance.
- The firewall settings of your network system may prevent your Samsung Smart Refrigerator from accessing the Internet. Contact your Internet service provider for technical assistance. If this symptom continues, contact a local Samsung service center or retailer.

Samsung account

You are required to register your Samsung account to use the Samsung Family Hub app. If you don't have a Samsung account, follow the app's onscreen instructions to create a free Samsung account.

NOTE

To connect your smartphone and the refrigerator, register your Samsung account in **Settings → Profile**.

Item	Description
Calendar	You can share your schedule with your family.
To Do	You can create and edit a to-do list.
Memo	You can create and edit memos for specific users.
Whiteboard	You can send White Board contents created on the refrigerator to your smartphone or vice versa.
Gallery	You can send photos from your smartphone to the refrigerator.
View Inside	You can check the inner view of the refrigerator, use different labels to register item-specific storage periods, and keep track of them to ensure you use items by their use-by dates.
Shopping List	You can create and edit shopping lists.

Operations

Special features

Ice maker (applicable models only)

The refrigerator has a built-in ice maker that automatically dispenses ice so that you can enjoy filtered water with cubed or crushed ice.

Ice making

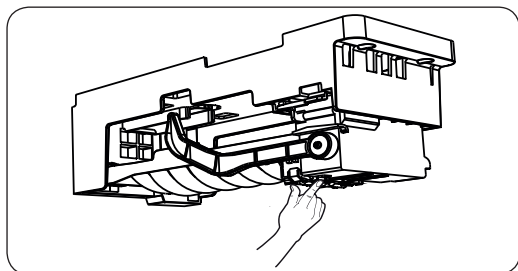
After you have installed your refrigerator and plugged it in, follow these instructions to ensure proper ice making and to keep the ice bucket full of ice:

1. Let the refrigerator run at least 24 hours without dispensing ice for optimal performance.
2. Pull out the freezer drawer and then discard the ice in the ice bucket.
 - You must discard the first bucket of ice made after installation.

NOTE

- If you consume all the ice at once, you must wait 8 hours before dispensing the first 4 to 6 cubes. This ensures that the ice bucket is filled with ice properly.
- Ice cubes generated rapidly may look white, which is normal.

Diagnosis



If ice does not dispense, first check the ice maker.

To check the ice maker

1. Press **Test** on the bottom of the ice maker.
2. The motor will automatically start to operate, and water will be supplied to make ice.

CAUTION

- Do not press **Test** repeatedly after the ice tray is filled with ice or water. Water may overflow or ice may jam.
- Do not put food in the ice bucket. The frozen food may damage the ice maker, especially when you open or close the door.
- When the refrigerator recovers power after a power failure, the ice bucket may contain a mix of melted and jammed ice cubes, which can prevent the ice maker from working properly. To prevent this, make sure to empty the ice bucket before using the ice maker again.
- Do not put fingers or any objects into the dispenser outlet or the ice maker. This can cause physical injury or property damage.

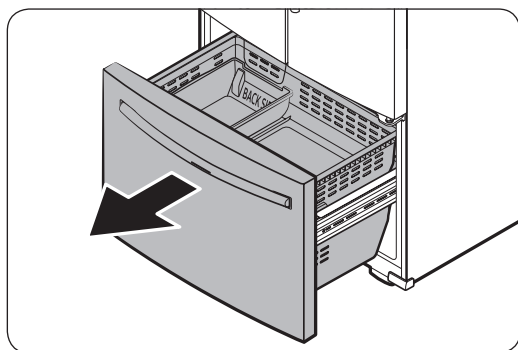
- When reinserting the ice maker tray, make sure that the tray is properly centered at the entrance. Otherwise, the tray can get stuck.

Ice Maker Off

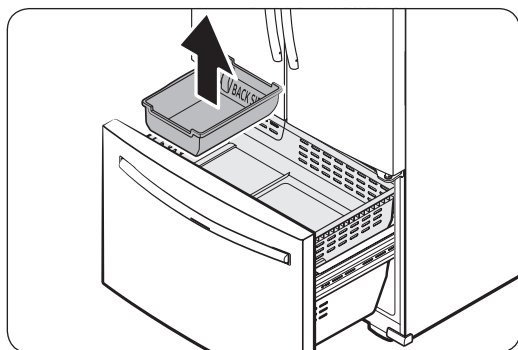
To disable the ice maker, tap **Fridge Manager** > **Fridge Settings** > **Ice Maker** on the Home screen, and then select **Off**. Make sure to empty the ice bucket.

Remaining ice cubes may clump together, making it difficult to remove them.

To remove the ice bucket



1. Pull out the freezer drawer to the front.



2. Lift up the ice bucket to remove.

NOTE

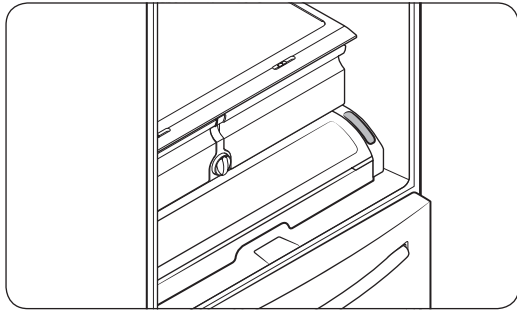
Removal of the ice bucket does not affect the thermal and mechanical performance of the refrigerator.

Operations

Cool Select pantry

The Cool Select pantry is a full-width drawer featuring a temperature control. It has a temperature sensor that adjusts the amount of cold air allowed into the pantry.

Control bar



To select a mode, press **Temp.** repeatedly. The temperature will change to match the mode settings. Note that the actual temperature depends on the distribution conditions of food items, the ambient temperature, and how often the door is opened.

Mode	Description	Food
Deli	Select Deli to keep fruits fresh for an extended time. The temperature of the pantry will be kept around 41 °F (5 °C).	pineapples, lemon, avocados, potatoes
Fresh	Select Fresh to keep drinks, fruits, and vegetables cold and refreshing. The temperature of the pantry will be kept around 38 °F (3 °C).	cucumbers, apples, oranges, grapes, zucchinis, corn
Chilled	Select Chilled to keep meat or fish fresh for an extended time. The temperature of the pantry will be kept around 34 °F (1 °C)	steaks, hard cheeses, cold cuts, hot dogs

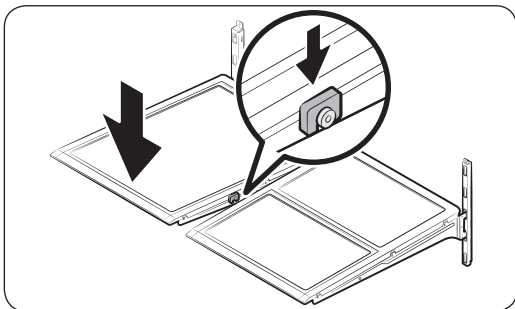
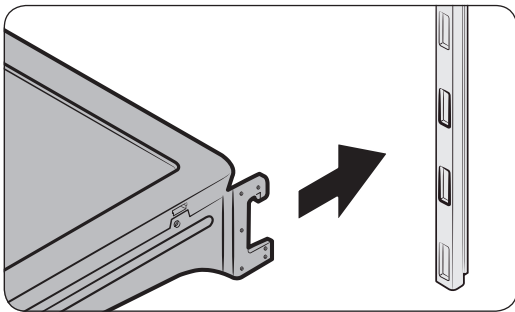
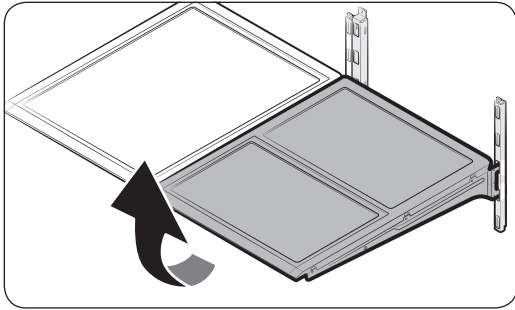
CAUTION

- Do not store fruits and vegetables in Chilled mode. They may be spoiled.
- Do not store leafy produce such as lettuce in the pantry.
- Do not store glass bottles. They may break or freeze.
- Do not put a water bowl without its cover in the pantry. Condensation may form around the bowl or the pantry.

Maintenance

Handling and care

Tempered glass shelves (fridge)



- To remove a shelf, fully open the corresponding door. Hold the front of the shelf, and then gently lift up and slide out.

- To reinsert, hold the shelf at an angle so the front is higher than the back, and then insert the top hook into the top shelf notch. Then, lower the shelf and insert the bottom shelf hook into the bottom shelf notch.

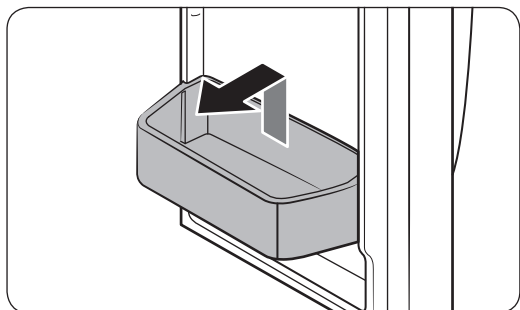
⚠ CAUTION

- The tempered glass shelves are heavy. Use caution when removing them.
- The shelf must be inserted correctly. Do not insert upside down.
- Glass containers may scratch the surface of glass shelves.

Maintenance

Door bins

The top door bin section has a marked line to ensure easy removal and proper reinsertion.

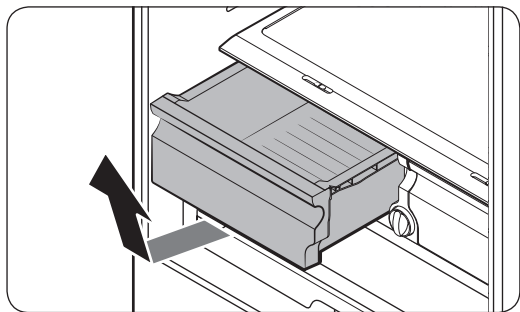


Lift up the door bin, and then pull out straight.

CAUTION

Do not allow children to play with the bins. Sharp-edged corners may cause injury.

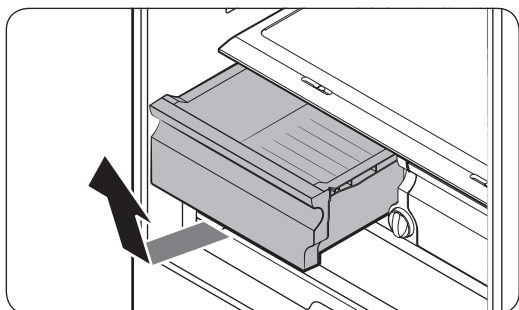
Vegetable & fruit drawers



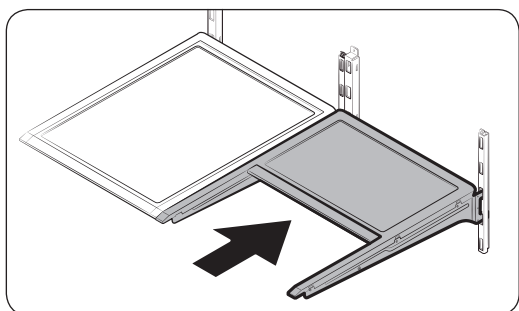
Gently lift up the front of the drawer and slide out.

We recommend that you remove the door bins before removing the drawer. This is to prevent damage to the door bins.

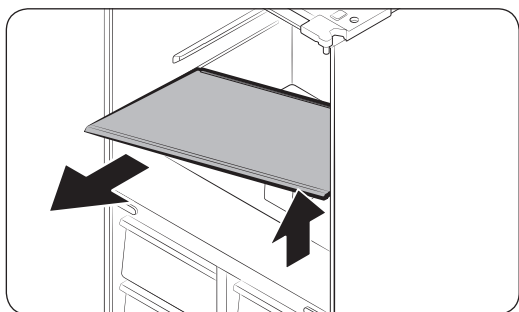
Vegetable shelf



1. Slide out the left-side vegetable drawer.



2. Slide in the right-side foldable shelf.



3. While supporting the vegetable shelf with one hand, slide it out with the other hand.

NOTE

To use the space that is opened up after removing the foldable shelf, take out the vegetable shelf.

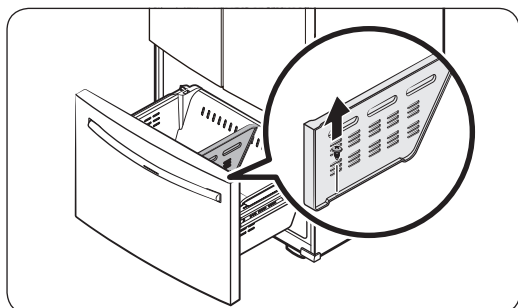
To reinsert, follow the steps above in the reverse order.

Ice bucket (applicable models only)

To remove the ice bucket, see the Maintenance section on page 63.

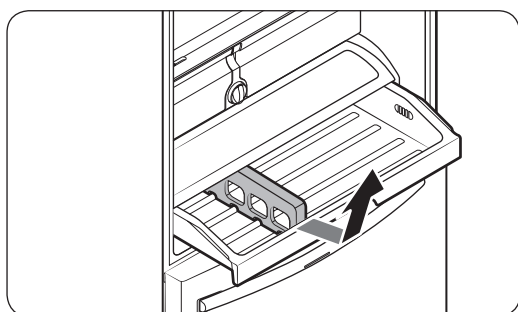
Maintenance

Freezer basket divider

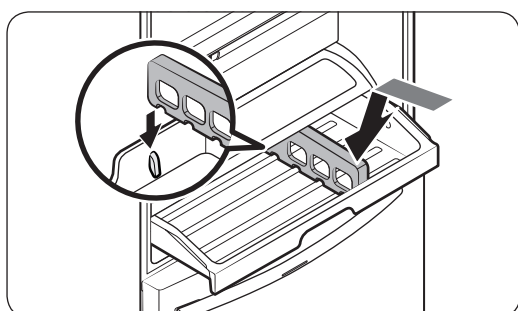


Loosen and remove the screw from the lower side of the divider. Then, pull up straight to remove the divider.

Cool Select pantry

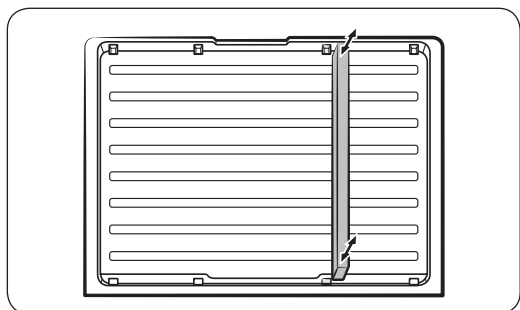


- To remove the pantry, slide the pantry fully open. Lift up the front side of the pantry, and then remove.



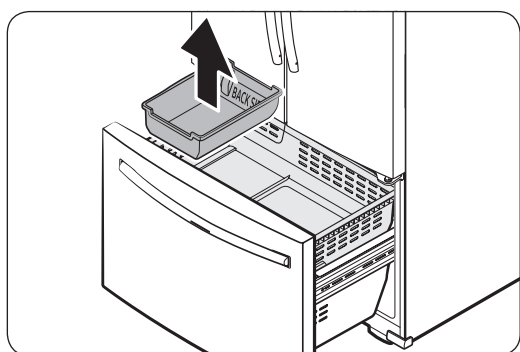
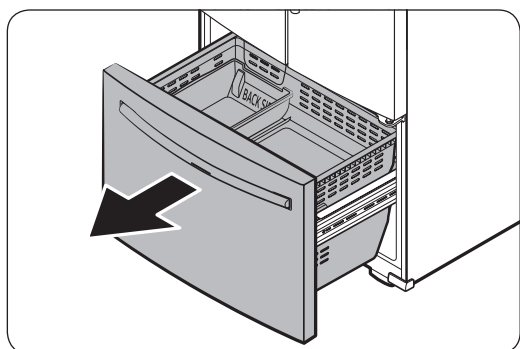
- To reinsert the pantry, push the rails back to the end. Put the drawer onto the rails, and then slide the pantry back into place.

Pantry divider



- To remove the divider, slide the pantry fully open. Lift up the front side of the divider first, and then the rear side to unlock. Pull straight up to remove.
- To reinsert the divider, insert the rear side of the divider first, and then the front side so that the divider locks into position.
- The divider can be positioned in any of the two locking points.

Ice bucket



1. Pull out the freezer drawer to the front.
2. Lift up the ice bucket to remove.

Maintenance

Cleaning

Interior and exterior

WARNING

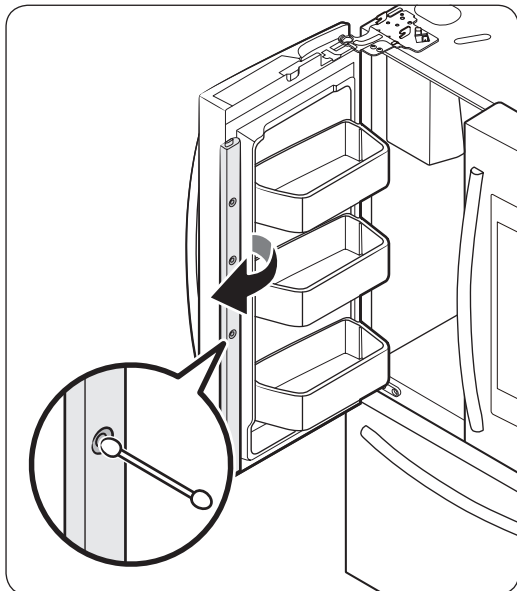
- Do not use benzene, thinner, home/car detergent, or Clorox™ for cleaning. They may damage the surface of the refrigerator or cause a fire.
- Do not spray water onto the refrigerator. This may cause electric shock.
- Do not put fingers or any objects into the dispenser outlet.

Regularly use a dry cloth to remove all foreign substances such as dust or water from the power plug terminals and contact points.

To clean the refrigerator

1. Unplug the power cord.
2. Use a moistened, soft, lint-free cloth or paper towel to clean the refrigerator's interior and exterior.
3. When done, use a dry cloth or paper towel to dry well.
4. Plug in the power cord.

Inner-view camera



NOTE


Use a cotton swab or microfiber cloth to clean the camera on the left-side door of the fridge.

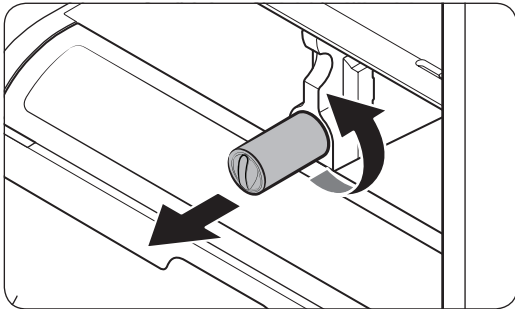
Replacement

Water filter (applicable models only)

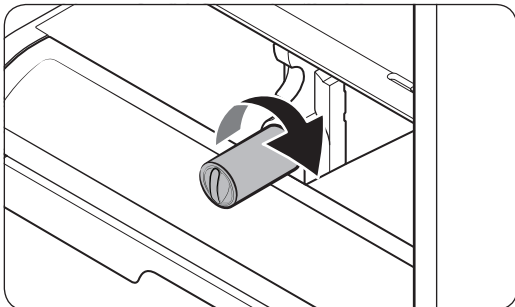
WARNING

- Do not use third-party water filters. Use only Samsung-provided or -approved filters.
- Unapproved filters may leak and damage the refrigerator, causing electric shock. Samsung is not responsible for any damage that may occur from use of third-party water filters.

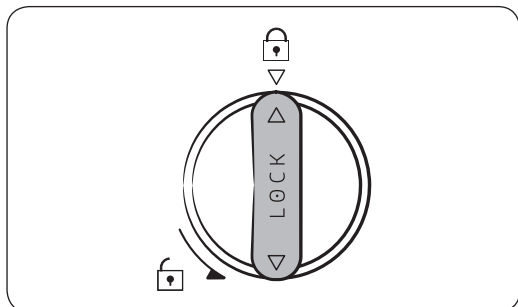
The filter indicator () turns red to let you know it is time to replace the water filter. Before replacing the filter, shut off the water supply line.



1. Turn the knob of the filter cartridge counter clockwise 90 degrees (1/4 turn). The filter cartridge unlocks.
2. Pull out to remove the cartridge.
 - If the water filter is severely contaminated, the cartridge may not be easy to remove. If that is the case, use force to remove the cartridge.
 - To prevent water leaks from the filter opening, pull the cartridge straight out while removing it.
3. Insert a new filter cartridge. Use only Samsung-provided or approved filters.



Maintenance



4. Turn the cartridge knob clockwise to lock into place.
5. On the Home screen, tap **Fridge Manager** > **Fridge Settings** > **Water Filter**, and then select **Reset**. The filter indicator turns off.
6. When you are done replacing the filter, open the water valve and run water through the dispenser for about 7 minutes. This is to remove impurities and air from the water line.

NOTE

- A newly installed filter may cause the water dispenser to spurt water briefly. This is because air has entered the waterline.
- The replacement process may cause the water dispenser to drip for a short period of time. If it drips, simply wipe up any water on the floor with a dry towel.

Reverse osmosis water filtration system

The water pressure of the water supply system to a reverse osmosis water filtration system must be between 35 psi and 120 psi (241 kPa and 827 kPa).

The water pressure of the reverse osmosis water filtration system to the refrigerator's cold water line must be at least 40 psi (276 kPa). If the water pressure is below these specifications:

- Check if the sediment filter in the reverse osmosis system is blocked. Replace the filter if necessary.
- Refill the water tank in the reverse osmosis system with water.
- If your refrigerator has a water filter, it may further reduce the water pressure when used in conjunction with a reverse osmosis system. Remove the water filter.

For more information or servicing, contact a licensed plumbing professional.

Ordering a new filter

To purchase a new water filter, contact a local Samsung service center or visit www.samsungparts.com on the web.

LED Lights

To replace the LED lights on the refrigerator, contact a local Samsung service center.

WARNING

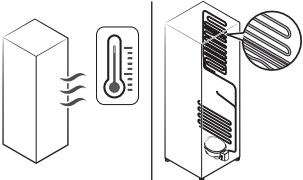
The LED lights are not user-serviceable. Do not attempt to replace an LED light yourself. This can cause electric shock.

Troubleshooting

Before calling for service, review the checkpoints below. Any service calls regarding normal situations (No Defect Cases) will be charged to users.

General

Temperature

Symptom	Possible causes	Solution
Fridge/freezer does not operate. Fridge/freezer temperature is warm.	<ul style="list-style-type: none"> Power cord is not plugged in properly. 	<ul style="list-style-type: none"> Properly plug in the power cord.
	<ul style="list-style-type: none"> Temperature control is not set correctly. 	<ul style="list-style-type: none"> Set the temperature lower.
	<ul style="list-style-type: none"> Refrigerator is located near a heat source or direct sunlight. 	<ul style="list-style-type: none"> Keep the refrigerator away from direct sunlight or a heat source.
	<ul style="list-style-type: none"> Not enough clearance between refrigerator and nearby walls or cabinets. 	<ul style="list-style-type: none"> Make sure there is a gap of at least 2.5 inches (5 cm) between the refrigerator back and sides and any nearby walls or cabinets.
	<ul style="list-style-type: none"> The refrigerator is overloaded. Food is blocking the refrigerator vents. 	<ul style="list-style-type: none"> Do not overload the refrigerator. Do not allow food to block ventilation.
Fridge/freezer is over-cooling.	<ul style="list-style-type: none"> Temperature control is not set correctly. 	<ul style="list-style-type: none"> Set the temperature higher.
Interior wall is hot.	<ul style="list-style-type: none"> Refrigerator has heat-proof piping in the interior wall. 	<ul style="list-style-type: none"> To prevent condensation from forming, the refrigerator has heat-proof piping in the front corners. If the ambient temperature rises, this equipment may not work effectively. This is not a system failure. 

Troubleshooting

Odors

Symptom	Possible causes	Solution
Refrigerator has odors.	• Spoiled food.	• Clean the refrigerator and remove any spoiled food.
	• Food with strong odors.	• Make sure strong smelling food is wrapped airtight.

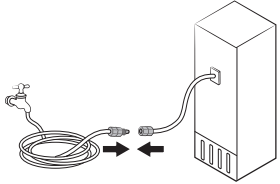
Frost

Symptom	Possible causes	Solution
Frost around the vents.	• Food is blocking the vents.	• Make sure no food blocks the refrigerator vents.
Frost on interior walls.	• Door is not closed properly.	• Make sure food does not block the door. Clean the door gasket.
Fruits or vegetables are frozen.	• Fruits or vegetables are stored in the Pantry and the temperature was set too low.	• Set the temperature of the Pantry to a temperature appropriate for fruits or vegetables.

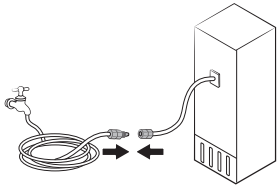
Condensation

Symptom	Possible causes	Solution
Condensation forms on the interior walls.	• If door is left open, moisture enters the refrigerator.	• Remove the moisture and do not leave a door open for extended periods of time.
	• Food with high moisture content.	• Make sure food is wrapped airtight.

Water/ice (dispenser models only)

Symptom	Possible causes	Solution
Water flow is weaker than normal.	<ul style="list-style-type: none"> Water pressure is too low. 	<ul style="list-style-type: none"> Make sure the water pressure is between 20 to 120 psi (138-862 kPa).
Ice maker makes a buzzing sound.	<ul style="list-style-type: none"> The ice maker function is activated, but the water supply to the refrigerator has not been connected. 	<ul style="list-style-type: none"> Press Ice Maker off .
Ice maker does not make ice.	<ul style="list-style-type: none"> Ice maker has just been installed. 	<ul style="list-style-type: none"> You must wait 12 hours for the refrigerator to make ice.
	<ul style="list-style-type: none"> Freezer temperature is too low. 	<ul style="list-style-type: none"> Set the freezer temperature below 0 °F (-18 °C) or -4 °F (-20 °C) in warm, ambient air.
	<ul style="list-style-type: none"> Dispenser Lock is activated. 	<ul style="list-style-type: none"> Deactivate Dispenser Lock.
	<ul style="list-style-type: none"> Ice maker is off. 	<ul style="list-style-type: none"> Turn on the ice maker.
Ice does not dispense.	<ul style="list-style-type: none"> Ice may jam if the ice dispenser is not used for a long time (approx. 3 weeks). 	<ul style="list-style-type: none"> If you won't be using the refrigerator for a long time, empty the ice bucket and turn off the ice maker.
	<ul style="list-style-type: none"> Ice bucket is not properly inserted. 	<ul style="list-style-type: none"> Make sure the ice bucket is properly inserted.
	<ul style="list-style-type: none"> Water line is not connected properly or water supply is not on. 	<ul style="list-style-type: none"> Check if the water line is installed correctly. Check if the water line stop cock is closed. 

Troubleshooting

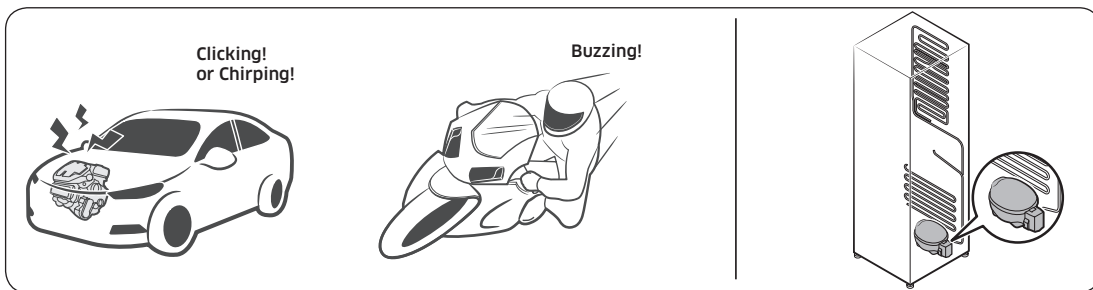
Symptom	Possible causes	Solution
Water does not dispense.	<ul style="list-style-type: none"> Water line is not connected properly or water supply is not on. 	<ul style="list-style-type: none"> Check the water installation conditions. 
	<ul style="list-style-type: none"> Dispenser Lock is activated. 	<ul style="list-style-type: none"> Deactivate Dispenser Lock.
	<ul style="list-style-type: none"> A third-party water filter was installed. 	<ul style="list-style-type: none"> Use only Samsung-provided or approved filters. Unapproved filters may leak and damage the refrigerator.
	<ul style="list-style-type: none"> Water filter indicator turns on or blinks. 	<ul style="list-style-type: none"> Replace the water filter. After replacing, reset the filter indicator sensor.

Do you hear abnormal sounds from the refrigerator?

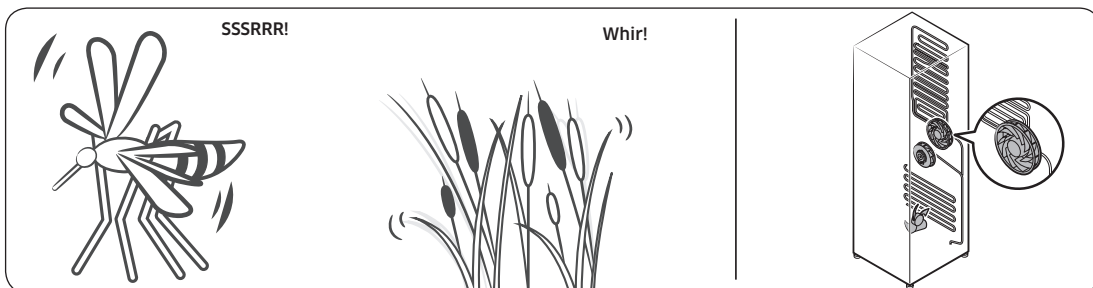
Before calling for service, review the checkpoints below. Any service calls related to normal sounds will be charged to the user.

These sounds are normal.

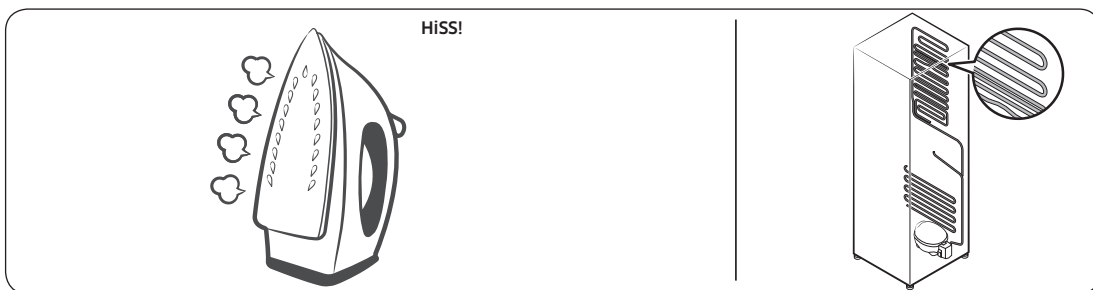
- When starting or ending an operation, the refrigerator may make sounds similar to a car engine ignition. As the operation stabilizes, the sounds will decrease.



- While the fan is operating, these sounds may occur. When the refrigerator reaches the set temperature, the fan sound will stop.

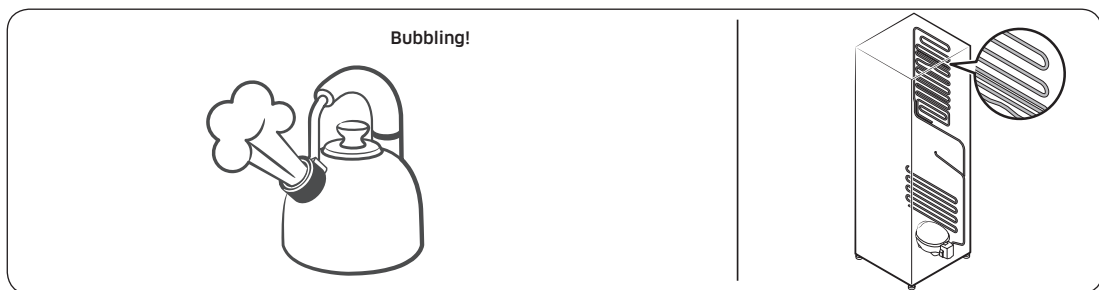


- During a defrost cycle, water may drip on the defrost heater, causing sizzling sounds.

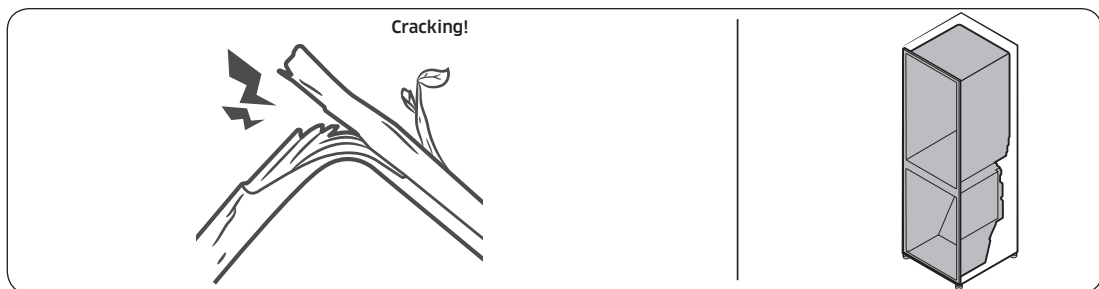


Troubleshooting

- As the refrigerator cools or freezes, refrigerant gas moves through sealed pipes, causing bubbling sounds.



- As the refrigerator temperature increases or decreases, plastic parts contract and expand, creating knocking noises. These noises occur during the defrosting cycle or when electronic parts are working.



- For ice maker models: When the water valve opens to fill the ice maker, buzzing sounds may occur.
- Due to pressure equalizing when you open and close the refrigerator door, whooshing sounds may occur.

SmartThings

Symptom	Action
Could not find "SmartThings" in the app market.	<ul style="list-style-type: none">• The SmartThings app is not available for some tablet and iPad and some smartphone.<ul style="list-style-type: none">- support that [Android] OS 6.0 or higher (mimimum 2GB RAM Size)- support that [iOS]10.0 or higher/iPhone6 or higher.
The SmartThings app fails to operate.	<ul style="list-style-type: none">• The SmartThings app is available for applicable models only.• The old Samsung Smart Refrigerator app cannot connect with Samsung Smart Home models.
The SmartThings app is installed but is not connected to my refrigerator.	<ul style="list-style-type: none">• You must log into your Samsung account to use the app.• Make sure that your router is operating normally.• If you have not connected your refrigerator to the SmartThings App after the app was installed, you must make the connection using the device registration function of the app.
Could not log into the app.	<ul style="list-style-type: none">• You must log into your Samsung account to use the app.• If you don't have a Samsung account, follow the app's onscreen instructions to create one.
An error message appears when I try to register my refrigerator.	<ul style="list-style-type: none">• Easy Connection may fail due to the distance from your access point (AP) or electrical interference from the surrounding environment. Wait a moment and try again.
The SmartThings app is successfully connected to my refrigerator but does not run.	<ul style="list-style-type: none">• Exit and restart the SmartThings app or disconnect and reconnect the router.• Unplug the power cord of the refrigerator, and then plug it in again after 1 minute.

Troubleshooting

Samsung Family Hub

Symptom	Action
Could not find "Samsung Family Hub" in the app market.	<ul style="list-style-type: none">• The Samsung Family Hub app is not available for some tablet and iPad and some smartphone.<ul style="list-style-type: none">- support that [Android] OS 6.0 or higher (mimimum 2GB RAM Size)- support that [iOS]10.0 or higher/iPhone6 or higher.
Could not log into the app.	<ul style="list-style-type: none">• You must log into your Samsung account to use the app.• If you don't have a Samsung account, follow the app's onscreen instructions to create one.

Smart Grid (applicable models only)

Symptom	Action
What Do I Need to use the Energy Management and Smart Grid functions?	<p>To use the Smart Grid (Demand Response) and Energy Management functions on your refrigerator, you need the following:</p> <p>Devices</p> <ul style="list-style-type: none"> • A wireless access point (router) • A Samsung Energy Management-supported refrigerator • A smartphone <p>Registration</p> <ul style="list-style-type: none"> • Connect your refrigerator to your home Wi-Fi network. • Register for the EMS service with your electric company. Your electric company must have an EMS (Energy Management System) supporting SEP (Smart Energy profile). <p>App</p> <ul style="list-style-type: none"> • Download the SmartThings app from the Google Play Store, Apple App Store, or Samsung Galaxy Apps. • Install and run the SmartThings app on your smartphone.
Why isn't the Energy Management function working normally?	<ul style="list-style-type: none"> • Make sure that your home router is operating normally with proper Internet service and connection. • Make sure that the refrigerator is connected to the AP (router). <p>Checkpoints</p> <ul style="list-style-type: none"> • Connect your smartphone to the router (AP, Access Point), and then check if you can browse the Internet on the smartphone.
Why isn't the Delay Defrost Capability working normally?	<ul style="list-style-type: none"> • Make sure that your home router is operating normally with proper Internet service and connection.

Troubleshooting

LCD

Symptom	Action
Cannot connect to my TV.	<ul style="list-style-type: none">• This refrigerator can connect only with Samsung Smart TV Launched in 2015~17 : J/K/MU6400 series or above. Launched in 2018 : NU7400 series or above, Launched in 2018 : Q60R series or above. Please check the model name of your TV first.• Network connections may suffer temporary interruptions. Turn your TV off, and then try again.
The inner view picture looks bulged out or incomplete.	<ul style="list-style-type: none">• The edges of the inner view may look bulged out. The bulging is caused by the convex lens of the camera.• The inner view may be incomplete due to the blind spots on the left and right corners or be screened depending on the layout of food items. Make sure to place food items in the front center.
The displayed measurement on the Fridge Manager is not correct.	<ul style="list-style-type: none">• The displayed conditions may differ from the actual temperature and humidity.

LIMITED WARRANTY (U.S.A.)

SAMSUNG REFRIGERATOR

LIMITED WARRANTY TO ORIGINAL CONSUMER PURCHASER WITH PROOF OF PURCHASE

This SAMSUNG brand product, as supplied and distributed by Samsung Electronics America, Inc. (SAMSUNG) and delivered new, in the original carton to the original consumer purchaser, is warranted by SAMSUNG against manufacturing defects in materials or workmanship for the limited warranty period of:

One (1) year parts and labor

Five (5) years parts and labor on Sealed Refrigeration System Only (Compressor, Evaporator, Condenser, Drier, and Connecting Tubing)

Ten (10) years part and Five (5) years labor on Digital Inverter Compressor Only

This limited warranty is valid only on products purchased and used in the United States that have been installed, operated, and maintained according to the instructions attached to or furnished with the product. To receive warranty service, the purchaser must contact SAMSUNG at the address or phone number provided below for problem determination and service procedures. Warranty service can only be performed by a SAMSUNG authorized service center. The original dated bill of sale must be presented upon request as proof of purchase to SAMSUNG or SAMSUNG's authorized service center to receive warranty service.

SAMSUNG will provide in-home service within the contiguous United States during the warranty period at no charge, subject to availability of SAMSUNG authorized servicers within the customer's geographic area. If in-home service is not available, SAMSUNG may elect, at its option, to provide transportation of the product to and from an authorized service center. If the product is located in an area where service by a SAMSUNG authorized servicer is not available, you may be responsible for a trip charge or required to bring the product to a SAMSUNG authorized service center for service.

To receive in-home service, product must be unobstructed and accessible to the service agent.

During the applicable warranty period, a product will be repaired, replaced, or the purchase price refunded, at the sole option of SAMSUNG. SAMSUNG may use new or reconditioned parts in repairing a product, or replace the product with a new or reconditioned product. Replacement parts and products are warranted for the remaining portion of the original product's warranty or ninety (90) days, whichever is longer. All replaced parts and products are the property of SAMSUNG and you must return them to SAMSUNG.

LIMITED WARRANTY (U.S.A.)

This limited warranty covers manufacturing defects in materials or workmanship encountered in normal household, noncommercial use of this product and shall not cover the following: damage that occurs in shipment, delivery, installation, and uses for which this product was not intended; damage caused by unauthorized modification or alteration of the product; product where the original factory serial numbers have been removed, defaced, changed in any way, or cannot be readily determined; cosmetic damage including scratches, dents, chips, and other damage to the product's finishes; damage caused by abuse, misuse, pest infestations, accident, fire, floods, or other acts of nature or God; damage caused by use of equipment, utilities, services, parts, supplies, accessories, applications, installations, repairs, external wiring or connectors not supplied or authorized by SAMSUNG; damage caused by incorrect electrical line current, voltage, fluctuations and surges; damage caused by failure to operate and maintain the product according to instructions; in-home instruction on how to use your product; and service to correct installation not in accordance with electrical or plumbing codes or correction of household electrical or plumbing (i.e., house wiring, fuses, or water inlet hoses). The cost of repair or replacement under these excluded circumstances shall be the customer's responsibility.

Visits by an authorized servicer to explain product functions, maintenance or installation are not covered by this limited warranty. Please contact SAMSUNG at the number below for assistance with any of these issues.

EXCLUSION OF IMPLIED WARRANTIES

IMPLIED WARRANTIES, INCLUDING THE IMPLIED WARRANTIES OF MERCHANTABILITY OR FITNESS FOR A PARTICULAR PURPOSE, ARE LIMITED TO ONE YEAR OR THE SHORTEST PERIOD ALLOWED BY LAW. Some states do not allow limitations on how long an implied warranty lasts, so the above limitations or exclusions may not apply to you. This warranty gives you specific rights, and you may also have other rights, which vary from state to state.

LIMITATION OF REMEDIES

YOUR SOLE AND EXCLUSIVE REMEDY IS PRODUCT REPAIR, PRODUCT REPLACEMENT, OR REFUND OF THE PURCHASE PRICE AT SAMSUNG'S OPTION, AS PROVIDED IN THIS LIMITED WARRANTY. SAMSUNG SHALL NOT BE LIABLE FOR SPECIAL, INCIDENTAL OR CONSEQUENTIAL DAMAGES, INCLUDING BUT NOT LIMITED TO TIME AWAY FROM WORK, HOTELS AND/OR RESTAURANT MEALS, REMODELING EXPENSES, LOSS OF REVENUE OR PROFITS, FAILURE TO REALIZE SAVINGS OR OTHER BENEFITS REGARDLESS OF THE LEGAL THEORY ON WHICH THE CLAIM IS BASED, AND EVEN IF SAMSUNG HAS BEEN ADVISED OF THE POSSIBILITY OF SUCH DAMAGES. Some states do not allow exclusion or limitation of incidental or consequential damages, so the above limitations or exclusions may not apply to you. This warranty gives you specific rights, and you may also have other rights, which vary from state to state.

SAMSUNG does not warrant uninterrupted or error-free operation of the product. No warranty or guarantee given by any other person, firm, or corporation with respect to this product shall be binding on SAMSUNG.

To obtain warranty service, please contact SAMSUNG at:

Samsung Electronics America, Inc.
85 Challenger Road
Ridgefield Park, NJ 07660
1-800-SAMSUNG (726-7864)
www.samsung.com/us/support

Model	RF262BEAESR
Variant Model	RF262BEAE** (The symbol “*” can be any alphanumeric character.)
Responsible Party - U.S. Contact Information	Samsung Electronics America, Inc. 85 Challenger Road. Ridgefield Park, NJ 07660 Phone: 1-800-SAMSUNG (726-7864)

FCC Compliance Statement

This device complies with Part 15 of the FCC Rules. Operation is subject to the following two conditions: (1) This device may not cause harmful interference, and (2) This device must accept any interference received, including interference that may cause undesired operation.

Memo

Memo

Memo



Scan the QR code* or visit
www.samsung.com/spsn
to view our helpful
How-to Videos and Live Shows

* Requires reader to be installed on your
smartphone

Scan this with your smartphone

Contact SAMSUNG WORLD WIDE

If you have any questions or comments relating to Samsung products, please contact the SAMSUNG Customer Care Center.

Country	Contact Center	Web Site
U.S.A	1-800-SAMSUNG (726-7864) 1-844-SAM-PAYS (726-7297)	www.samsung.com/us/support



DA68-02601P-00



Refrigerador

Manual del usuario

RF262B*

Electrodoméstico independiente

SAMSUNG

Contenido

Información sobre seguridad	4
Símbolos y advertencias de seguridad importantes:	4
Advertencia sobre la State of California Proposition 65	5
Advertencias muy importantes para la instalación	5
Precauciones para la instalación	7
Advertencias muy importantes para el uso	8
Precauciones de uso	11
Precauciones para la limpieza	12
Advertencias muy importantes para la eliminación de residuos	13
Este electrodoméstico está diseñado para uso doméstico y en lugares como	13
1. Aviso regulatorio	14
Instalación	16
Descripción breve de su refrigerador	16
Instalación paso a paso	18
Funcionamiento	36
Interfaz del usuario	36
SmartThings	47
Función SMART GRID (Respuesta a la demanda) (solo para los modelos correspondientes)	50
Recomendaciones relativas al reconocimiento de voz	54
Samsung Family Hub	54
Funciones especiales	56
Mantenimiento	59
Manipulación y cuidado	59
Limpieza	64
Reemplazo	65

Solución de problemas	68
General	68
¿Se oyen ruidos anómalos procedentes del refrigerador?	73
SmartThings	75
Samsung Family Hub	76
Smart Grid (solo para los modelos correspondientes)	77
LCD	78
GARANTÍA LIMITADA (EE.UU.)	79
REFRIGERADOR SAMSUNG	79



Información sobre seguridad

- Antes de utilizar su nuevo refrigerador Samsung, lea detenidamente este manual a fin de aprender a usar las funciones que ofrece de manera segura y eficiente.
- Este electrodoméstico no debe ser utilizado por personas (incluidos niños) con capacidades mentales, sensoriales o físicas reducidas, o por personas que carezcan de experiencia y de conocimientos, a menos que se encuentren bajo supervisión o hayan recibido las instrucciones de uso por parte de un responsable de su seguridad. Se deberá vigilar a los niños para asegurarse de que no jueguen con el electrodoméstico.
- Debido a que las siguientes instrucciones corresponden a diversos modelos, es posible que las características de su refrigerador difieran ligeramente de las que se describen en este manual.
- Si tiene alguna duda, comuníquese al 1-800-SAMSUNG o encuentre ayuda e información en línea en www.samsung.com.
- Se utiliza R-600a o R-134a como refrigerante. Mire la etiqueta del compresor en la parte posterior del electrodoméstico o la etiqueta de voltaje dentro del refrigerador para constatar qué refrigerante utiliza su refrigerador. Si este producto contiene gas inflamable (Refrigerante R-600a), comuníquese con las autoridades locales para desechar este producto en forma segura.
- Es peligroso que una persona que no sea un técnico de servicio autorizado realice tareas de reparación en este aparato.



Advertencia: riesgo de incendio/materiales inflamables

Símbolos y advertencias de seguridad importantes:

Sírvase seguir todas las instrucciones de seguridad del presente manual. En el presente manual se utilizan los siguientes símbolos de seguridad.

ADVERTENCIA

Riesgos o prácticas inseguras que pueden causar **graves lesiones personales, daños a la propiedad y/o incluso la muerte.**

PRECAUCIÓN

Riesgos o prácticas inseguras que pueden causar **lesiones personales leves y/o daños materiales.**

NOTA

Información útil que ayuda a los usuarios a comprender u obtener beneficios del refrigerador.

Estas señales de advertencia se incluyen aquí para evitar que usted o terceros sufran lesiones.

Sígalas atentamente.

Después de leer esta sección, consérvela en un lugar seguro para referencia futura.



Advertencia sobre la State of California Proposition 65

ADVERTENCIA

Cáncer y Daño Reproductivo - www.P65Warnings.ca.gov.

Advertencias muy importantes para la instalación

ADVERTENCIA

- No instale el refrigerador en un lugar húmedo o donde pueda entrar en contacto con agua.
 - El aislamiento deficiente de las piezas eléctricas puede provocar una descarga eléctrica o un incendio.
- No exponga este refrigerador a la luz solar directa ni al calor de estufas, calefactores u otros electrodomésticos.
- No enchufe varios electrodomésticos en la misma toma múltiple. El refrigerador debe conectarse siempre a un tomacorriente individual cuyo voltaje nominal coincida con el que se especifica en la placa de voltaje del refrigerador.
 - De esta manera se obtiene el mejor desempeño y también se evita que se sobrecarguen los circuitos del cableado de la casa, lo que podría sobrecalentar los cables y provocar un riesgo de incendio.
- Si el tomacorriente está flojo, no conecte el enchufe.
 - Existe el riesgo de que se produzca una descarga eléctrica o un incendio.
- No utilice un cable de alimentación que esté dañado o gastado en su extensión o en cualquiera de los extremos.
- No doble excesivamente el cable de alimentación ni coloque objetos pesados sobre él.
- No tire del cable de alimentación ni lo doble excesivamente.
- No retuerza ni amarre el cable de alimentación.
- No coloque el cable de alimentación sobre un objeto metálico; no coloque sobre él ningún objeto pesado; no lo coloque entre objetos ni lo empuje hacia el espacio que hay detrás del electrodoméstico.
- Al mover el refrigerador, tenga cuidado de no enroscar ni dañar el cable de alimentación.
 - Esto podría causar una descarga eléctrica o un incendio.
- Nunca desenchufe el refrigerador jalando el cable de alimentación. Siempre sostenga el enchufe con firmeza y jale para extraerlo del tomacorriente.
 - Los daños al cable pueden provocar un cortocircuito, un incendio o una descarga eléctrica.
- No almacene sustancias explosivas como latas de aerosoles con gases propulsores inflamables en este electrodoméstico.
- No instale este electrodoméstico cerca de calefactores o materiales inflamables.
- No instale este electrodoméstico en un lugar donde pueda haber fugas de gas.
 - Esto podría causar una descarga eléctrica o un incendio.



Información sobre seguridad

- Antes de usarse, el refrigerador debe ubicarse e instalarse de manera apropiada de acuerdo con las instrucciones de este manual.
- Conecte el enchufe en la posición correcta con el cable colgando hacia abajo.
 - Si conecta el enchufe al revés, el cable puede cortarse y provocar un incendio o una descarga eléctrica.
- Asegúrese de que el enchufe no esté aplastado ni haya sido dañado por la parte posterior del refrigerador.
- Mantenga los materiales de empaque fuera del alcance de los niños.
 - Existe el riesgo de muerte por asfixia si un niño se coloca los materiales de empaque en la cabeza.
- El electrodoméstico debe colocarse de manera tal que se pueda acceder al enchufe después de la instalación.
 - No seguir esta recomendación puede causar una descarga eléctrica o un incendio debido a una fuga de electricidad.
- No instale este electrodoméstico en un lugar húmedo, engrasado o sucio, o en un sitio con exposición directa al sol o al agua (lluvia).
 - El aislamiento deficiente de las piezas eléctricas puede provocar una descarga eléctrica o un incendio.
- Si ingresaran grandes cantidades de polvo o agua al refrigerador, desenchufe el cable de alimentación y comuníquese con el Centro de Servicio de Samsung Electronics.
 - Si no lo hace, existe el riesgo de que se produzca un incendio.
- No se pare sobre el electrodoméstico ni le coloque objetos encima (tales como ropa, velas o cigarrillos encendidos, platos, productos químicos, objetos metálicos, etc.).
 - Esto podría causar una descarga eléctrica, un incendio, problemas con el producto o lesiones.
- Es necesario quitar toda la película plástica protectora antes de enchufar el producto por primera vez.
- Se deberá vigilar a los niños para asegurarse de que no jueguen con los anillos elásticos utilizados para el ajuste de la puerta o con las grapas del tubo de agua.
 - Existe riesgo de muerte por asfixia si un niño se traga un anillo elástico o una grapa del tubo de agua. Mantenga los anillos elásticos y las grapas del tubo de agua fuera del alcance de los niños.
- El refrigerador debe estar conectado a tierra de manera segura.
 - Siempre asegúrese de haber conectado el refrigerador a tierra antes de intentar examinar o reparar alguna pieza. Las fugas de energía pueden provocar una descarga eléctrica grave.



- Nunca utilice como conexión a tierra tubos de gas, líneas telefónicas ni otras posibles fuentes de atracción de rayos.
 - El refrigerador debe estar conectado a tierra para evitar cualquier fuga de energía o descarga eléctrica provocada por fugas de corriente del refrigerador.
 - Una conexión a tierra inapropiada del refrigerador podría causar descargas eléctricas, incendios, explosiones o problemas con el producto.
 - El uso inapropiado de la conexión a tierra puede traer como consecuencia un riesgo de descarga eléctrica. Si necesita usar un cable de extensión, use solo uno de tres hilos con un enchufe que tenga una tercera punta para el polo a tierra; la toma de corriente deberá tener 3 ranuras para adaptarse al enchufe del electrodoméstico. La potencia indicada en el cable de extensión debe ser CA 115-120 V, 10 A o superior. Si se utiliza un adaptador de tierra, asegúrese de que el receptáculo esté conectado correctamente a tierra.
- Conecte bien el enchufe a la toma de pared. No utilice enchufes o cables de alimentación dañados ni enchufes de pared flojos.
 - Esto podría causar una descarga eléctrica o un incendio.
- Si el cable de alimentación está dañado, debe ser reemplazado por el fabricante, su agente de servicios o personas igualmente calificadas para evitar riesgos.
- Únicamente un técnico calificado o compañía de reparaciones debe estar autorizado para cambiar el fusible del refrigerador.
 - No seguir esta recomendación, podría causar una descarga eléctrica o lesiones.
- Debe poder accederse al tomacorriente con facilidad para que el electrodoméstico pueda desenchufarse de la alimentación en caso de emergencia. Debe encontrarse fuera de la zona trasera del electrodoméstico.
- Cuando instale el electrodoméstico, asegúrese de que el cable de alimentación no esté atrapado ni dañado.
- No ubique varias regletas de tomacorrientes portátiles o unidades de alimentación móviles en la parte trasera del electrodoméstico.

Precauciones para la instalación

PRECAUCIÓN

- Deje espacio suficiente alrededor del refrigerador e instálelo sobre una superficie plana.
 - Mantenga libre de obstáculos el espacio de ventilación en el gabinete o la estructura de montaje del electrodoméstico.
- Una vez que haya instalado el refrigerador y lo haya encendido, permita que funcione durante 2 horas antes de cargarlo con alimentos.
- Recomendamos que el refrigerador sea instalado por un técnico calificado o una compañía de servicios.
 - No seguir esta recomendación puede causar descargas eléctricas, incendios, explosiones, problemas con el producto o lesiones.

Información sobre seguridad

- Sobrecargar una de las puertas puede ocasionar la caída del refrigerador y provocar lesiones personales.

Advertencias muy importantes para el uso

ADVERTENCIA

- No conecte el enchufe en un tomacorriente con las manos mojadas.
 - Esto podría causar una descarga eléctrica.
- No coloque objetos en la parte superior de la unidad.
 - Cada vez que abra o cierre la puerta, estos podrían caerse y provocar lesiones personales o daños materiales.
- No coloque las manos, los pies ni objetos metálicos (como palillos chinos, etc.) en la parte inferior o posterior del refrigerador.
 - Esto podría causar una descarga eléctrica o lesiones personales.
 - Algunos bordes filosos podrían provocar lesiones personales.
- No toque las paredes internas del congelador ni los productos almacenados en este con las manos mojadas.
 - Esto puede provocar quemaduras por frío.
- No coloque un recipiente con agua sobre el refrigerador.
 - Si se derrama, existe el riesgo de que se produzca un incendio o una descarga eléctrica.
- No almacene sustancias u objetos volátiles o inflamables (benceno, solvente, gas propano, alcohol, éter, gas LP ni cualquier otro producto de este tipo) en el refrigerador.
 - Este refrigerador se debe utilizar solo para almacenar alimentos.
 - Esto podría causar un incendio o una explosión.
- Se deberá vigilar a los niños para asegurarse de que no jueguen con el electrodoméstico.
 - Aleje los dedos de los puntos de agarre. Los espacios entre las puertas y el gabinete son inevitablemente pequeños. Abra las puertas con cuidado si hay niños cerca.
- No permita que los niños se cuelguen de la puerta ni de los compartimientos de la puerta. Pueden producirse lesiones graves.
- No permita que los niños ingresen al refrigerador. Podrían quedar atrapados.
- No coloque las manos debajo del electrodoméstico.
 - Es posible que algunas puntas filosas le provoquen lesiones.
- No almacene en el refrigerador productos farmacéuticos, materiales científicos ni productos sensibles a la temperatura.
 - No se deben almacenar productos que requieran controles estrictos de temperatura.
- No coloque ni utilice aparatos eléctricos dentro del refrigerador/congelador, a menos que sean del tipo recomendado por el fabricante.

- En caso de sentir olor a humo, desconecte el enchufe de inmediato y comuníquese con un Centro de Servicio de Samsung Electronics.
- Si ingresaran grandes cantidades de polvo o agua al refrigerador, desenchufe el cable de alimentación y comuníquese con un Centro de Servicio de Samsung Electronics.
 - Si no lo hace, existe el riesgo de que se produzca un incendio.
- No permita que los niños se paren sobre un cajón.
 - El cajón se puede romper y los niños pueden caerse.
- No deje las puertas del refrigerador abiertas si el refrigerador no está siendo vigilado y no permita que los niños ingresen en el refrigerador.
- No permita que los bebés ni los niños ingresen al cajón.
 - Esto puede provocar muerte por asfixia debido al encierro o lesiones personales.
- No sobrecargue el refrigerador con comida.
 - Cuando abra la puerta, algún elemento podría caerse y provocar lesiones personales o daños materiales.
- No pulverice material volátil, tal como un insecticida, sobre la superficie del electrodoméstico.
 - Además de ser perjudicial para los seres humanos, puede causar una descarga eléctrica, un incendio o problemas con el producto.
- Nunca coloque los dedos ni otros objetos en el orificio del dispensador de agua, en el recipiente de hielo o en la cubeta de la fábrica de hielo.
 - Esto puede provocar lesiones personales o daños materiales.
- No utilice ni coloque ninguna sustancia sensible a la temperatura, tales como pulverizadores inflamables, objetos inflamables, hielo seco, medicamentos o productos químicos, cerca o dentro del refrigerador.
- No utilice un secador de cabello para secar el interior del refrigerador. No coloque velas encendidas en el refrigerador para eliminar los malos olores.
 - Esto podría causar una descarga eléctrica o un incendio.
- Llene el tanque y la charola para el hielo solamente con agua potable (agua de la llave, agua mineral o agua purificada).
 - No llene el tanque con té, jugo ni bebidas isotónicas. Pueden dañar el refrigerador.
- No se pare sobre el electrodoméstico ni le coloque objetos encima (tales como ropa, velas o cigarrillos encendidos, platos, productos químicos, objetos metálicos, etc.). Esto podría causar una descarga eléctrica, un incendio, problemas con el producto o lesiones. No coloque un recipiente con agua sobre el electrodoméstico.
 - Si se derrama, existe el riesgo de que se produzca un incendio o una descarga eléctrica.
- No utilice dispositivos mecánicos ni cualquier otro medio para acelerar el proceso de descongelamiento que no sean aquellos recomendados por el fabricante.
- No dañe el circuito del refrigerante.
- No mire fijamente la lámpara LED UV durante mucho tiempo.
 - Los rayos ultravioletas podrían dañarle la visión.



Información sobre seguridad

- No coloque el estante del refrigerador al revés. El tope del estante no funcionará.
 - El estante de vidrio puede caerse y provocar lesiones.
- Aleje los dedos de los puntos de agarre. Los espacios entre las puertas y el gabinete son inevitablemente pequeños. Abra las puertas con cuidado si hay niños cerca.
- Si se detecta una fuga de gas, evite las llamas o posibles fuentes de ignición y ventile durante varios minutos la habitación en la que se encuentra el electrodoméstico.
 - No toque el electrodoméstico ni el cable de alimentación.
 - No utilice un ventilador.
 - Una chispa puede provocar una explosión o un incendio.
- Utilice solamente lámparas LED proporcionadas por el fabricante o sus agentes de servicio técnico.
- Las botellas se deben almacenar una junto a otra de manera tal que no se tumben ni se caigan.
- Este producto se debe utilizar solo para almacenar alimentos en un entorno doméstico.
- Nunca coloque los dedos ni otros objetos en el orificio del dispensador de agua, en el recipiente de hielo o en la cubeta de la fábrica de hielo.
 - Puede provocar lesiones personales o daños materiales.
- No intente reparar, desensamblar ni modificar el refrigerador por su cuenta.
 - Las modificaciones que no han sido autorizadas pueden provocar problemas de seguridad. Para revertir una modificación no autorizada, cobraremos el costo completo de las piezas y mano de obra.
- No utilice ningún fusible (tales como los de alambres de acero, de cobre, etc.) que no sea un fusible estándar.
- Si es necesario reparar o volver a instalar el refrigerador, comuníquese con su Centro de Servicio Samsung más cercano.
 - No seguir esta recomendación puede causar una descarga eléctrica, un incendio, problemas con el producto o lesiones.
- Si la lámpara LED interior o exterior se ha apagado, comuníquese con el Centro de Servicio más cercano.
- En caso de sentir olor a quemado o a humo en el refrigerador, desenchúfelo de inmediato y comuníquese con un Centro de Servicio Samsung.
 - No seguir esta recomendación podría causar una descarga eléctrica o un incendio.
- Desenchufe el refrigerador antes de cambiar las lámparas internas.
 - Si no lo hace, existe el riesgo de que se produzca una descarga eléctrica.
- Si le resulta difícil cambiar una luz que no sea de LED, comuníquese con un Centro de Servicio de Samsung.
- Si el producto cuenta con lámparas LED, no desensamble las cubiertas de la lámpara y las lámparas LED usted mismo.
 - Comuníquese con un Centro de Servicio de Samsung.
- Conecte bien el enchufe a la toma de pared.



- No utilice enchufes o cables de alimentación dañados ni enchufes de pared flojos.
 - Esto podría causar una descarga eléctrica o un incendio.

Precauciones de uso

PRECAUCIÓN

- No vuelva a congelar alimentos que se hayan descongelado completamente.
- Utilice solamente la fábrica de hielo del refrigerador.
- Para obtener el mejor desempeño del producto:
 - No coloque alimentos muy cerca de las rejillas de ventilación en la parte posterior del refrigerador, ya que pueden obstruir la libre circulación del aire en el compartimiento del refrigerador.
 - Envuelva los alimentos adecuadamente o colóquelos en recipientes herméticos antes de almacenarlos en el refrigerador.
 - Cumpla con los tiempos máximos de almacenamiento y las fechas de vencimiento de los alimentos congelados.
- No coloque recipientes ni botellas de vidrio ni bebidas carbonatadas en el congelador.
 - El recipiente puede congelarse y romperse, y esto puede ocasionar lesiones.
- Garantía de servicio y modificación.
 - El servicio de garantía de Samsung no cubre los cambios o las modificaciones realizadas por un tercero a este electrodoméstico; Samsung tampoco es responsable de los problemas relacionados con la seguridad que puedan surgir a causa de modificaciones hechas por terceros.
- No obstruya las rejillas de ventilación dentro del refrigerador.
 - Si las rejillas de ventilación están tapadas, en particular con una bolsa de plástico, el refrigerador se puede sobrecongelar. Si el período de enfriamiento es demasiado prolongado, el filtro de agua puede romperse y provocar fugas de agua.
- Si se desconecta el refrigerador del suministro de energía, espere al menos cinco minutos antes de volver a enchufarlo.
- Si entraran grandes cantidades de agua al refrigerador, desenchúfelo y comuníquese con un Centro de Servicio Samsung.
- No golpee ni aplique una fuerza excesiva sobre ninguna superficie de vidrio.
 - Un vidrio roto puede causar lesiones personales o daños materiales.
- Llene el tanque de agua y la charola para el hielo solamente con agua potable (agua de la llave, agua mineral o agua purificada).
 - No llene el tanque con té, jugo ni bebidas isotónicas. Pueden dañar el refrigerador.
- Si el refrigerador se inunda, desconecte la alimentación del refrigerador y comuníquese con el centro de servicios Samsung más cercano.
 - Existe el riesgo de que se produzca una descarga eléctrica o un incendio.



Información sobre seguridad

- No guarde aceite vegetal en los compartimientos de la puerta del refrigerador. El aceite puede solidificarse y modificar su sabor y la facilidad de uso. Asimismo, el envase abierto puede gotear y el aceite vertido puede causar grietas en el compartimiento de la puerta. Una vez abierto un envase de aceite, es mejor almacenarlo en un lugar fresco y a la sombra, como un armario o alacena.
 - Ejemplos de aceite vegetal: aceite de oliva, de maíz, de semilla de uva, etc.

Precauciones para la limpieza

PRECAUCIÓN

- No pulverice con agua directamente dentro o fuera del refrigerador.
 - Existe el riesgo de que se produzca un incendio o una descarga eléctrica.
- No utilice un secador de cabello para secar el interior del refrigerador.
- No coloque velas encendidas en el refrigerador para eliminar los malos olores.
 - Esto podría causar una descarga eléctrica o un incendio.
- No rocíe productos de limpieza directamente sobre el visor.
 - Las letras impresas en el visor pueden borrarse.
- Si cualquier sustancia extraña, tal como agua, ingresa en el refrigerador, desenchúfelo y comuníquese con su Centro de Servicio Samsung más cercano.
 - No seguir esta recomendación podría causar una descarga eléctrica o un incendio.
- Use un paño seco y limpio para retirar cualquier sustancia extraña o polvo de las clavijas del enchufe. No utilice un paño mojado ni húmedo para limpiar el enchufe.
 - De lo contrario, existe el riesgo de que se produzca un incendio o una descarga eléctrica.
- No limpie el refrigerador rociando agua directamente sobre él.
- No limpie el refrigerador con benceno, disolvente o Clorox (blanqueador).
 - Pueden dañar la superficie del refrigerador y provocar un incendio.
- Nunca coloque los dedos ni otros objetos en la salida del dispensador.
 - Puede provocar lesiones personales o daños materiales.
- Antes de limpiar o realizar el mantenimiento, desenchufe el refrigerador del enchufe de pared.
 - No seguir esta recomendación podría causar una descarga eléctrica o un incendio.
- Utilice una esponja limpia o un paño suave y un detergente neutro disuelto en agua templada para limpiar el refrigerador.
- No utilice limpiadores abrasivos ni muy fuertes, como limpiacristales, limpiadores corrosivos, líquidos inflamables, ácido clorhídrico, ceras limpiadoras, detergentes concentrados, blanqueadores o limpiadores que contengan petróleo en las superficies externas (puertas y paneles), piezas de plástico, revestimientos de puertas e interiores y juntas.
 - Pueden rayar o dañar el material.



-
- No limpie con agua caliente los estantes o las cubiertas de vidrio cuando estén fríos. Los estantes y las cubiertas de vidrio pueden romperse si se exponen a cambios bruscos de temperatura o a impactos como golpes o caídas.

Advertencias muy importantes para la eliminación de residuos

ADVERTENCIA

- **PELIGRO** : Existe el riesgo de que los niños queden encerrados. Antes de desechar su antiguo refrigerador o congelador:
 - Retire las puertas y los pestillos.
 - Deje los estantes en su lugar de manera tal que los niños no puedan trepar fácilmente.
 - Si algún niño queda atrapado dentro del refrigerador, puede lastimarse o asfixiarse hasta morir.
- Deseche el material de empaque de este producto de forma tal que no resulte nocivo para el medio ambiente.
- Asegúrese de que ninguno de los tubos que se encuentran en la parte trasera del refrigerador estén dañados antes de desecharlos.
- Se utiliza R-600a o R-134a como refrigerante. Mire la etiqueta del compresor en la parte posterior del electrodoméstico o la etiqueta de voltaje dentro del refrigerador para constatar qué refrigerante utiliza su refrigerador. Si este refrigerador contiene gas inflamable (Refrigerante R-600a), comuníquese con las autoridades locales para desechar este producto en forma segura.
- Cuando deseche este refrigerador, retire los burlletes y los pestillos de las puertas de manera tal que los niños pequeños o los animales no puedan quedar atrapados en el interior. Se deberá vigilar a los niños para asegurarse de que no jueguen con el electrodoméstico.
 - Si quedan atrapados dentro, los niños pueden lesionarse o sofocarse hasta morir.
- Se utiliza ciclopentano como aislante. Los gases del material de aislamiento requieren un procedimiento especial para desecharlos. Comuníquese con las autoridades locales para desechar este producto de manera que no resulte nocivo para el medio ambiente.
- Mantenga los materiales de empaque fuera del alcance de los niños, ya que pueden ser peligrosos para ellos.
 - Si un niño se coloca una bolsa en la cabeza, puede asfixiarse.

Este electrodoméstico está diseñado para uso doméstico y en lugares como

- zonas de cocina de tiendas, oficinas y otros entornos de trabajo
- granjas y zonas de uso de los clientes en hoteles, moteles u otros entornos de tipo residencial
- hospederías
- banqueterías y eventos en instalaciones similares



Información sobre seguridad

1. Aviso regulatorio

1.1 Aviso de la FCC (Federal Communications Commission)

PRECAUCIÓN de la FCC:

Todos los cambios y modificaciones que no cuenten con la aprobación expresa de la parte responsable del cumplimiento pueden invalidar la autoridad del usuario para operar el equipo.

Contiene módulo transmisor FCC ID: A3LCCBP730Q

Este aparato cumple con la sección 15 de las Normas de la FCC. El funcionamiento se encuentra sujeto a las siguientes dos condiciones:

- (1) Este aparato no puede causar interferencia dañina y
- (2) Este aparato debe aceptar la recepción de cualquier interferencia, incluidas aquellas que causen un funcionamiento indeseado.

En los productos disponibles en los mercados de los Estados Unidos y Canadá, solo están disponibles los canales 1 a 11.

No es posible seleccionar otros canales.

DECLARACIÓN DE LA FCC:

Este equipo ha sido sometido a pruebas y se ha determinado que se encuentra dentro de los límites para los dispositivos digitales clase B, de acuerdo con la parte 15 de las Normas de la FCC. Dichos límites han sido diseñados para proporcionar una protección razonable contra la interferencia dañina en una instalación residencial.

Este equipo genera, utiliza y puede irradiar energía de frecuencias de radio y, si no se lo instala y utiliza de acuerdo con las instrucciones, pueden producirse interferencias en las comunicaciones de radio. Sin embargo, no existe garantía alguna de que no habrá interferencia en una instalación determinada. Si el equipo provoca interferencia dañina a la recepción de radio o televisión, que puede determinarse al encender y apagar el equipo, se sugiere que el usuario trate de corregir la interferencia mediante una o más de las siguientes medidas:

- Reorientar o reubicar la antena receptora
- Aumentar la distancia entre el equipo y el receptor
- Conectar el equipo en un tomacorriente que está en un circuito diferente que el receptor.
- Consultar a su distribuidor o a un técnico experimentado en radio/TV para obtener ayuda.

DECLARACIÓN DE LA FCC SOBRE LA EXPOSICIÓN A LA RADIACIÓN:

Este equipo cumple con los límites de exposición a la radiación establecidos por la FCC para un entorno no controlado.

Este equipo debe instalarse y utilizarse con una distancia mínima de 8 pulgadas (20 cm) entre el radiador y su cuerpo. Este aparato y sus antenas no deben ubicarse ni utilizarse junto con ninguna otra antena o transmisor excepto si se cumplen los procedimientos de la FCC para productos transmisores múltiples.



1.2 Aviso de la IC

Contiene módulo de transmisor IC: 649E-CCBP730Q

El término "IC" antes del número de certificación de radio solo significa que cumple con las especificaciones técnicas de la Industria de Canadá. El funcionamiento se encuentra sujeto a las siguientes dos condiciones: (1) Este aparato no puede causar interferencia dañina, y (2) este aparato debe aceptar la recepción de cualquier interferencia, incluidas aquellas que puedan causar un funcionamiento indeseado. Este aparato digital Clase B cumple con el ICES-003 de Canadá.

Cet appareil numérique de la classe B est conforme à la norme NMB-003 du Canada.

En los productos disponibles en los mercados de los Estados Unidos y Canadá, solo están disponibles los canales 1 a 11. No es posible seleccionar otros canales.

DECLARACIÓN IC SOBRE LA EXPOSICIÓN A LA RADIACIÓN:

Este equipo cumple con los límites de exposición a la radiación establecidos por la IC RSS-102 para un entorno no controlado. Este equipo debe instalarse y utilizarse con una distancia mínima de 8 pulgadas (20 cm) entre el radiador y su cuerpo. Este aparato y sus antenas no deben ubicarse ni utilizarse junto con ninguna otra antena o transmisor excepto si se cumplen los procedimientos de la FCC para productos transmisores múltiples.

GUARDE ESTAS INSTRUCCIONES

Instalación

Siga estas instrucciones cuidadosamente para evitar accidentes y garantizar la instalación adecuada del refrigerador.

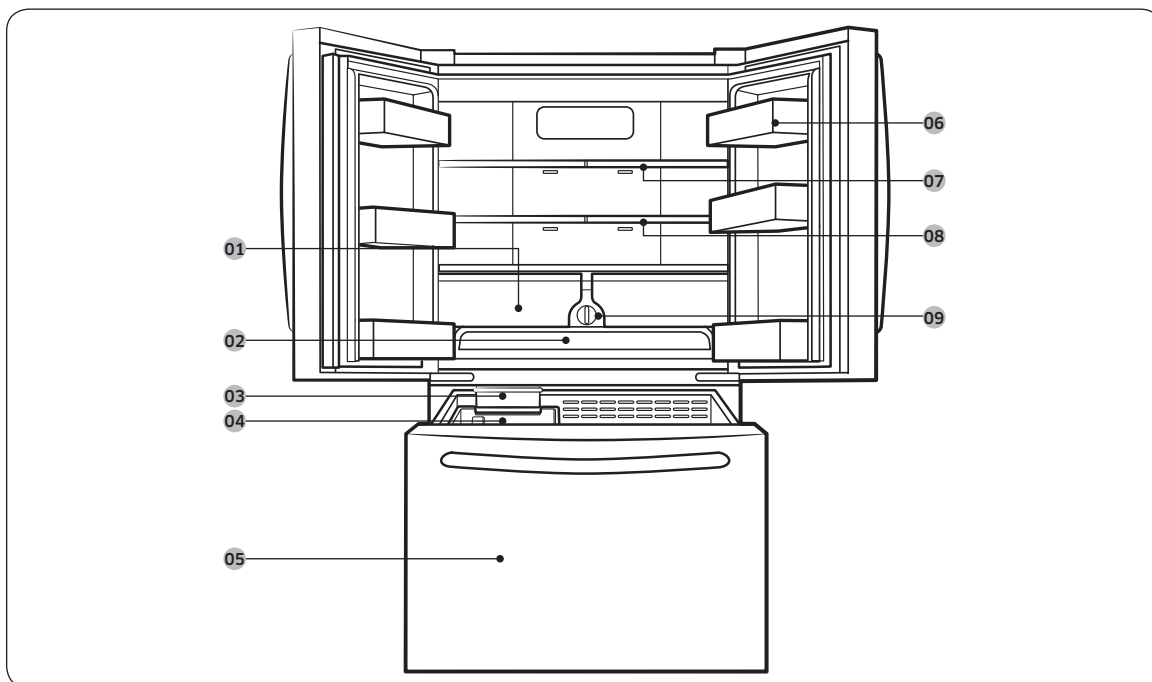
ADVERTENCIA

- Utilice el refrigerador solamente para su uso previsto como se describe en este manual.
- Todas las reparaciones deben estar a cargo de un técnico calificado.
- Descarte el material de empaque del producto de acuerdo con la normativa local.
- A fin de evitar descargas eléctricas, desenchufe el cable de alimentación antes de realizar trabajos de mantenimiento.

Descripción breve de su refrigerador

NOTA

El refrigerador y los componentes provistos de su refrigerador pueden diferir de las ilustraciones en este manual según el modelo y el país.



01 Cajones de vegetales y frutas

03 Fábrica de hielo

05 Congelador

07 Estante del refrigerador

09 Filtro de agua *

02 Cajón Cool Select Pantry

04 Cubeta de hielo

06 Compartimientos de las puertas

08 Estante plegable de 2 posiciones

* solo para los modelos correspondientes

 **NOTA**

- Para una mayor eficiencia energética, asegúrese de que todos los estantes, cajones y cestas estén en su posición original.
- Al cerrar la puerta, asegúrese de que la sección de la bisagra vertical se encuentre en la posición correcta para impedir que se raye con la otra puerta.
- Si la sección de la bisagra vertical está invertida, colóquela en la posición correcta y cierre la puerta.
- Algunas veces puede aparecer humedad en esta sección de la bisagra vertical.
- Si cierra una puerta por la fuerza, la otra puerta puede abrirse.
- Si la lámpara LED interna o externa no funcionan, comuníquese con un centro de servicio Samsung.

Instalación

Instalación paso a paso

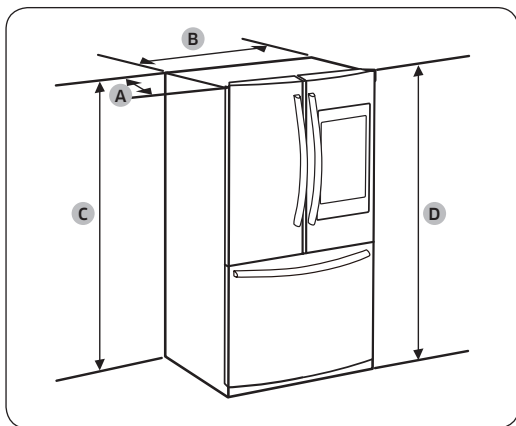
PASO 1 Seleccione un lugar

El lugar debe:

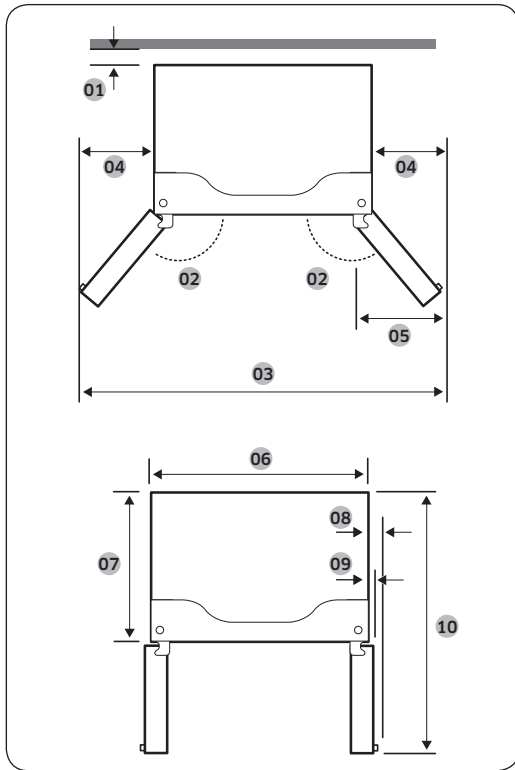
- Tener una superficie sólida, nivelada sin alfombrado ni pisos que puedan obstruir la ventilación
- Estar fuera del alcance de la luz solar directa
- Contar con el lugar adecuado para abrir y cerrar la puerta
- Estar alejado de las fuentes de calor
- Contar con lugar para realizar mantenimiento y reparaciones
- Contar con un rango de temperatura de entre 50 °F (10 °C) y 110 °F (43 °C)

Espacio libre

Consulte las imágenes y la tabla que aparecen a continuación y en la siguiente página para conocer los requisitos de espacio de instalación.



Modelo	RF262BEA*
Profundidad "A"	33 1/2" (850 mm)
Ancho "B"	35 3/4" (908 mm)
Altura "C"	68 3/8" (1737 mm)
Altura total "D"	70" (1778 mm)



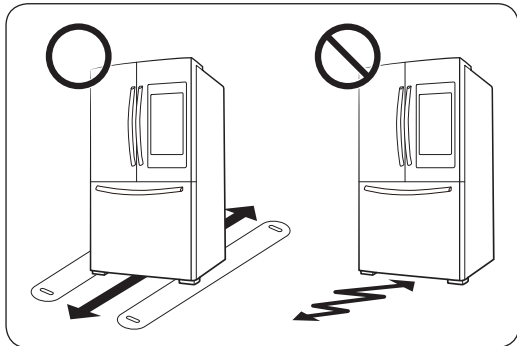
Modelo	RF262BEA*
01	2" (50 mm)
02	140°
03	63 3/4" (1620 mm)
04	14 5/8" (371 mm)
05	13 3/8" (340 mm)
06	35 3/4" (908 mm)
07	29 1/4" (745 mm)
08	3 3/4" (95 mm)
09	1 5/8" (40 mm)
10	48" (1220 mm)

NOTA

Las medidas de su refrigerador pueden diferir de las que figuran anteriormente, dependiendo del método de medición.

Instalación

PASO 2 Piso



- La superficie del lugar de instalación debe soportar un refrigerador completamente cargado.
- A fin de proteger el piso, coloque un trozo de cartón debajo de las patas del refrigerador al moverlo para realizar la instalación.
- Para proteger el piso una vez que el refrigerador esté en su posición final, no lo mueva a menos que sea necesario. Si debe hacerlo, utilice un papel grueso o tela, como una alfombra vieja, en el recorrido por el que se lo desplazará.

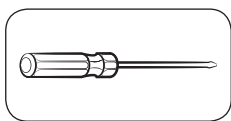
NOTA

Si el refrigerador no pasa por la entrada de su casa o cocina por su tamaño, consulte la sección **PASO 3 Extracción de la puerta para la entrada** a partir de la página 21.

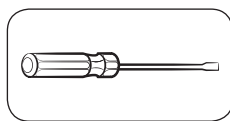
PASO 3 Extracción de la puerta para la entrada

Si el refrigerador no pasa por la entrada de su casa o de la cocina por una cuestión de tamaño, siga estas instrucciones para extraer y colocar nuevamente las puertas del refrigerador. Si no necesita retirar las puertas, vaya a la página 18 para obtener las instrucciones de instalación.

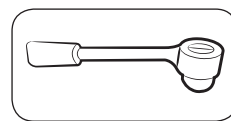
Herramientas necesarias (no provistas)



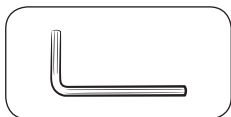
Destornillador Phillips



Destornillador plano



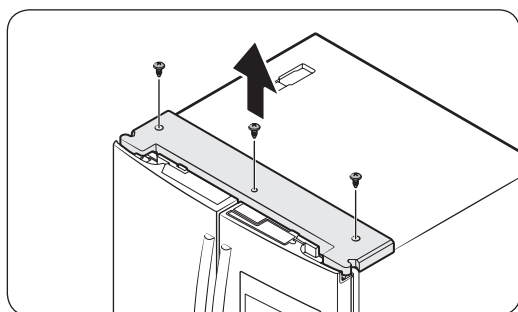
Llave de tubo (10 mm)



Llave Allen (5 mm)

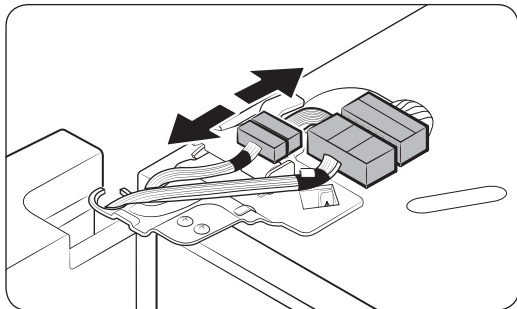
Para retirar las puertas del refrigerador

Puerta izquierda



1. Con las puertas cerradas, utilice un destornillador de cabeza Phillips para extraer los tornillos (x3) de la cubierta superior.

Instalación



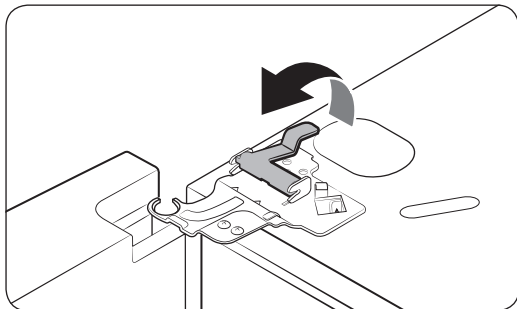
2. Desconecte los **conectores de cables** (x3) de la puerta izquierda. La posición de los conectores varía entre modelos.

NOTA

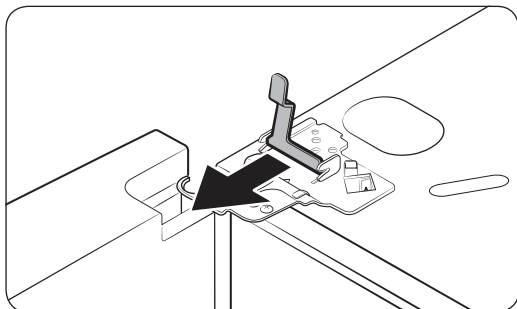
La posición de los conectores varía entre modelos.

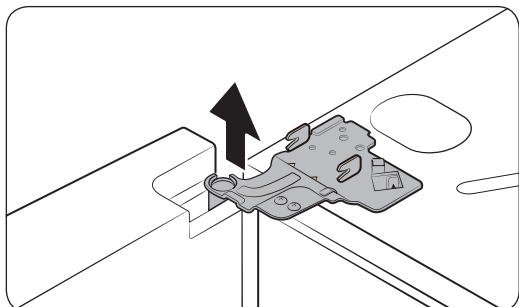
PRECAUCIÓN

- No retire ambas puertas simultáneamente. Asegúrese de retirar una puerta por vez. De lo contrario, una de las puertas podría caerse y provocar lesiones.
 - Asegúrese de que el refrigerador esté apagado antes de desconectar los conectores.
3. Levante suavemente la abrazadera en varios pasos. A fin de evitar lesiones en los dedos, no aplique fuerza repentinamente sobre la abrazadera.

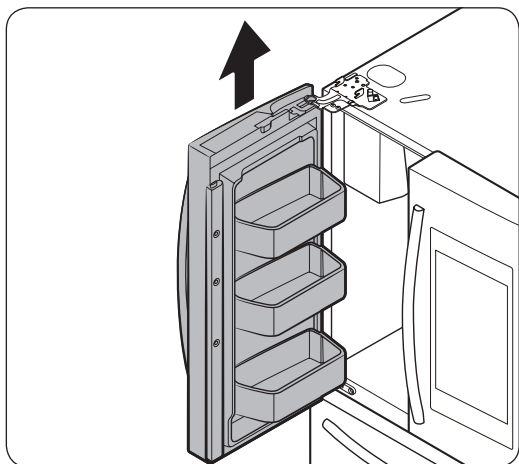


4. Jale la abrazadera hacia arriba para retirarla.



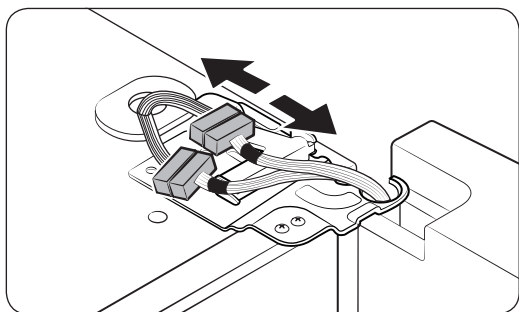


5. Abra la puerta a 90 grados. Mientras sostiene la puerta, levante y retire la bisagra superior. Tenga cuidado de no dañar los cables de los conectores al retirar la bisagra.



6. Suavemente levante la puerta en sentido vertical para retirarla. No use fuerza excesiva. La puerta puede caerse y provocar lesiones.
7. Coloque la puerta en una superficie plana.

Puerta derecha

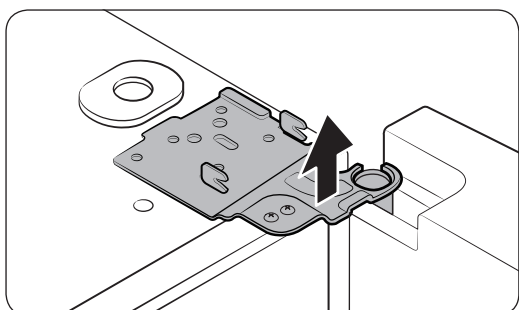
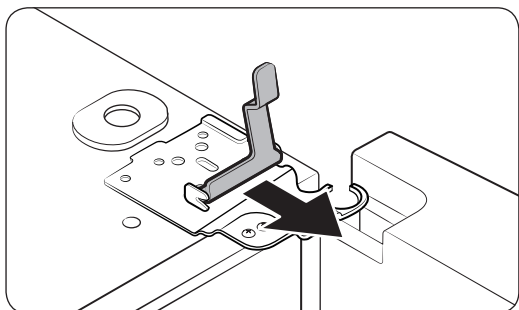
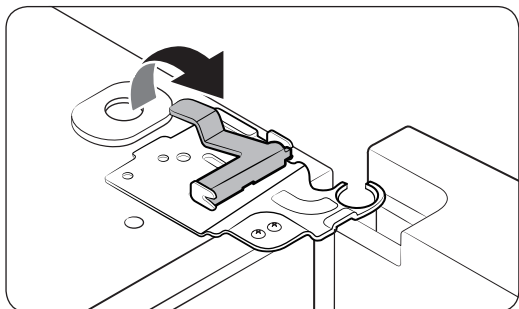


1. Desconecte los conectores de cables (x2) de la puerta derecha. La posición de los conectores varía entre modelos.

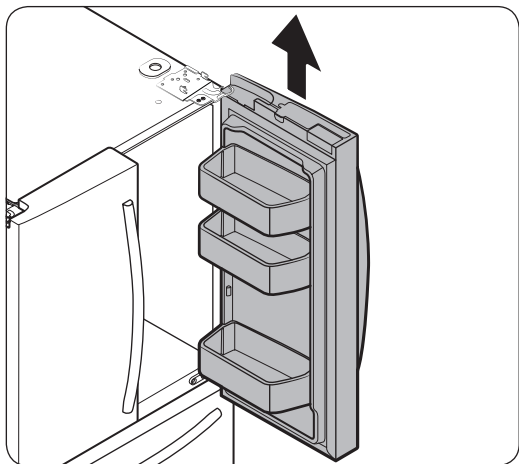
⚠ PRECAUCIÓN

- No retire ambas puertas simultáneamente. Asegúrese de retirar una puerta por vez. De lo contrario, una de las puertas podría caerse y provocar lesiones.
- Asegúrese de que el refrigerador esté apagado antes de desconectar los conectores.

Instalación



2. Levante suavemente la abrazadera en varios pasos. A fin de evitar lesiones en los dedos, no aplique fuerza repentinamente sobre la abrazadera.
3. Jale la abrazadera hacia arriba para retirarla.
4. Abra la puerta a 90 grados. Mientras sostiene la puerta, levante y retire la bisagra superior. Tenga cuidado de no dañar los cables de los conectores al retirar la bisagra.



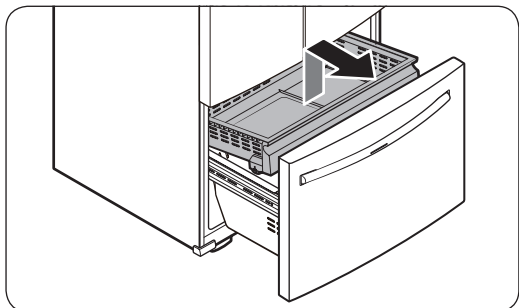
5. Suavemente levante la puerta en sentido vertical para retirarla. No use fuerza excesiva. La puerta puede caerse y provocar lesiones.
6. Coloque la puerta en una superficie plana.

Para colocar nuevamente las puertas del refrigerador

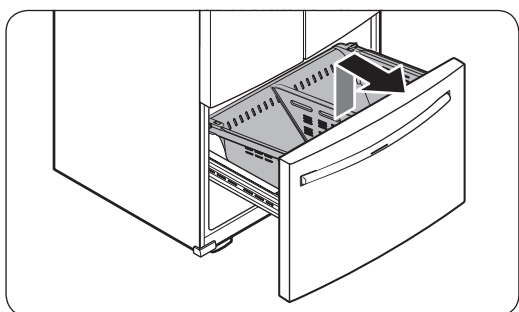
Una vez que el refrigerador esté instalado en su ubicación final, vuelva a colocar las puertas siguiendo las indicaciones anteriores en el orden inverso.

Instalación

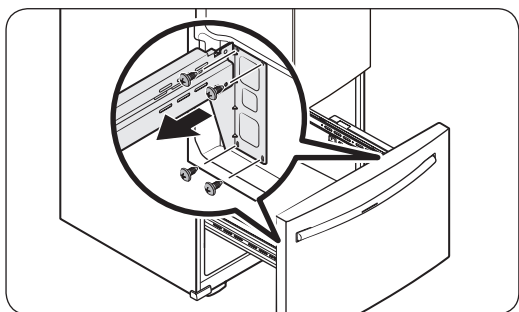
Para retirar el cajón del congelador



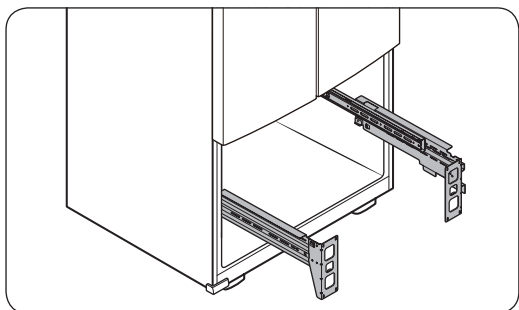
1. Abra el cajón del congelador y retire la cesta superior.



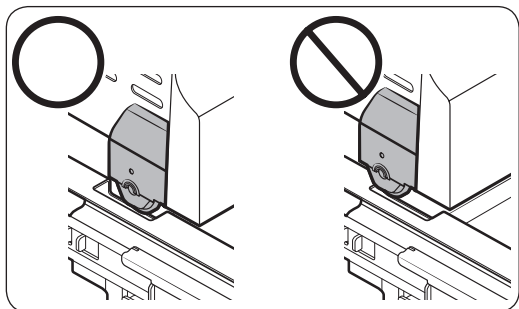
2. Levante la cesta inferior para retirarla del conjunto de riel.



3. Retire los tornillos (x4) de cada lado del conjunto de riel.



4. Luego, separe el frente del cajón con las dos manos.



⚠ PRECAUCIÓN

- Tenga cuidado de no rayar ni abollar el conjunto de riel.
- Asegúrese de instalar las cestas del congelador en la posición correcta. De lo contrario, la puerta no se podrá abrir ni cerrar correctamente, lo que provocará la acumulación de escarcha.
- No almacene demasiados alimentos en el cajón del congelador. Esto hará que el cajón del congelador no se cierre correctamente y se acumule escarcha.

Para colocar nuevamente el cajón del congelador

Una vez que el refrigerador esté instalado en su ubicación final, vuelva a colocar el cajón del congelador siguiendo las indicaciones anteriores en el orden inverso.

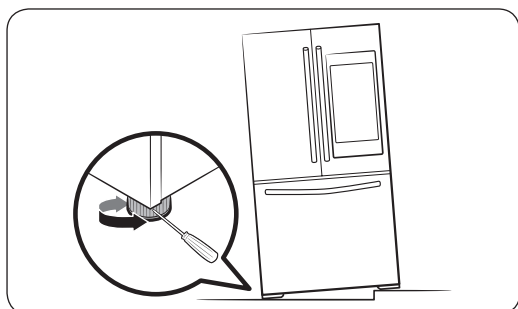
Instalación

PASO 4 Ajuste de las patas de nivelación

PRECAUCIÓN

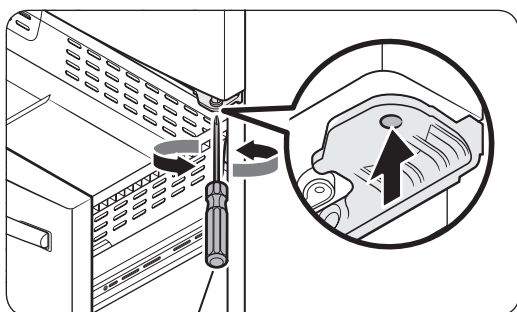
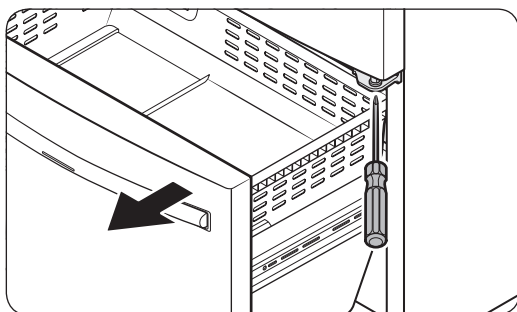
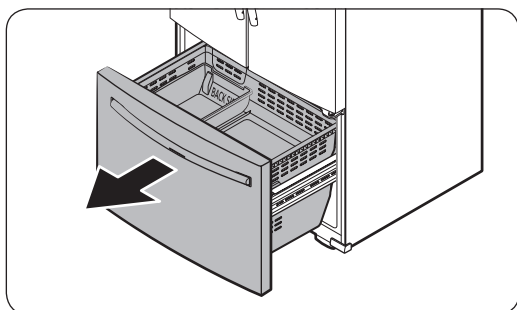
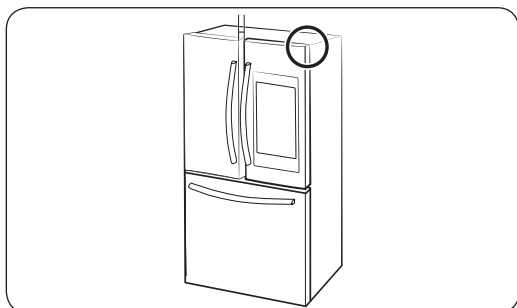
- Una vez instalado, el refrigerador debe estar nivelado sobre un piso plano y sólido. No nivelar el refrigerador puede provocar daños al refrigerador o lesiones personales.
- La nivelación debe realizarse con el refrigerador vacío. Asegúrese de que no haya alimentos dentro del refrigerador.
- Por razones de seguridad, ajuste la parte delantera un poco más elevada que la parte trasera.

Nivele el refrigerador usando los tornillos especiales (niveladores) en las patas delanteras. Use un destornillador plano para girar los niveladores.



- Para ajustar la altura del lado izquierdo: Inserte un destornillador plano en el nivelador de la pata delantera del lado izquierdo. Gire el nivelador en el sentido de las agujas del reloj para elevar el lado izquierdo o en el sentido contrario para bajarlo.
- Para ajustar la altura del lado derecho: Inserte un destornillador plano en el nivelador de la pata delantera del lado derecho. Gire el nivelador en el sentido de las agujas del reloj para elevar el lado derecho o en el sentido contrario para bajarlo.

PASO 5 Ajuste la altura de la puerta

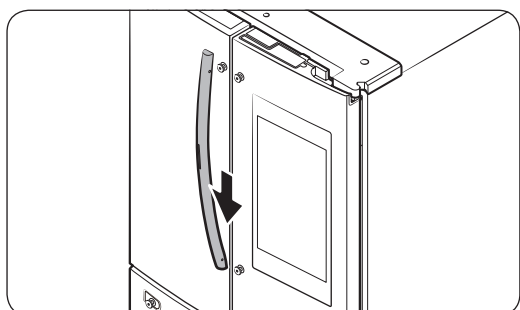
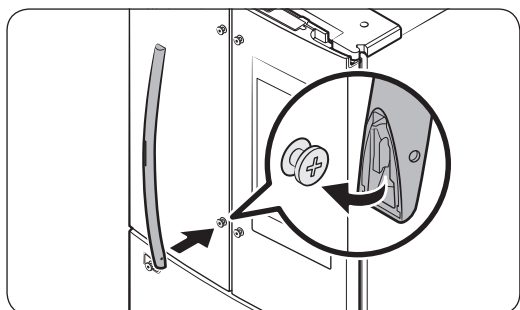
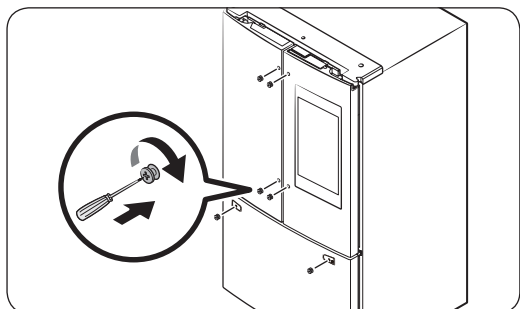
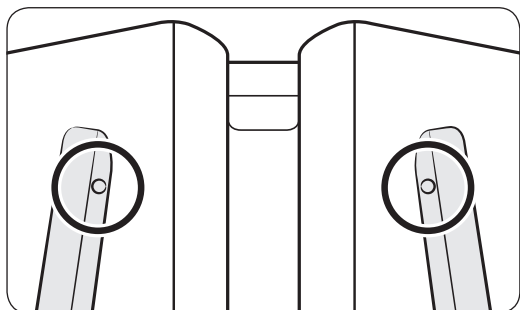


La altura de la puerta puede corregirse mediante el tornillo de regulación de altura de la bisagra del medio del refrigerador.

1. Abra el cajón del congelador para dejar al descubierto la bisagra del medio.
2. Inserte un destornillador Phillips en el tornillo de regulación de altura de la bisagra del medio.
3. Decida si debe elevar o bajar la puerta.
 - Para bajar la puerta, gire el tornillo de regulación de altura en el sentido de las agujas del reloj.
 - Para elevar la puerta, gire el tornillo de regulación de altura en el sentido contrario al de las agujas del reloj.

Instalación

PASO 6 Instalación de las manijas



⚠ PRECAUCIÓN

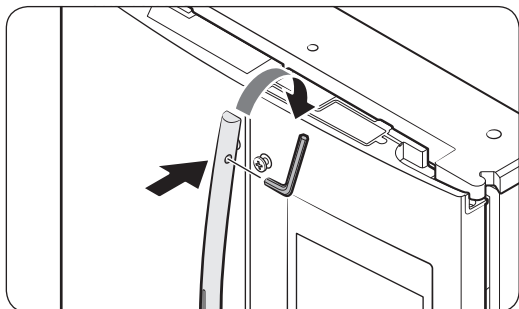
Las manijas del refrigerador deben estar orientadas en la dirección correcta.

- Las manijas del refrigerador deben instalarse de manera tal que los orificios queden frente a frente.
- La manija del congelador debe instalarse de manera tal que su orificio quede orientado hacia abajo.

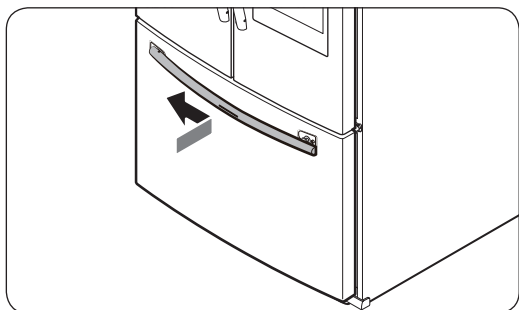
1. Las manijas derecha e izquierda del refrigerador, así como la manija del congelador, pueden fijarse al refrigerador con los tornillos de las manijas, dos para cada una respectivamente.

2. Para fijar las manijas del refrigerador en el refrigerador, primero coloque la parte inferior de una manija sobre el tornillo inferior de la manija.

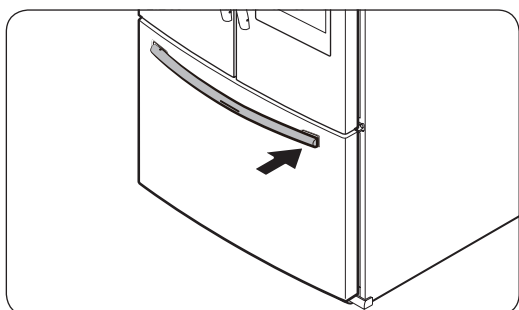
3. Empuje la manija hacia abajo y luego coloque la parte superior de la manija sobre el tornillo superior de la manija.



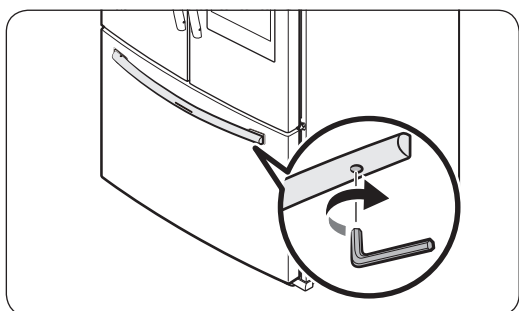
4. Inserte la llave provista en el orificio de la manija y gírela en el sentido de las agujas del reloj para ajustarla.
5. Repita los pasos 2 a 4 con la manija de la segunda puerta del refrigerador.



6. Para fijar la manija del congelador en el refrigerador, primero coloque la parte izquierda de la manija del congelador sobre el tornillo izquierdo de la manija.



7. Empuje la manija hacia la izquierda y luego coloque la parte derecha de la manija de congelador sobre el tornillo derecho de la manija.



8. Inserte la llave provista en el orificio de la manija y gírela en el sentido de las agujas del reloj para ajustarla.

Instalación

PASO 7 Desconecte la tubería del dispensador de agua (solo para los modelos correspondientes)

El dispensador de agua con filtro es una de las funciones útiles de su nuevo refrigerador. Con el fin de promover la buena salud, el filtro de agua elimina las partículas no deseadas del agua. No obstante, no la esteriliza ni destruye los microorganismos. Para eso, necesita adquirir un sistema de purificación de agua. La tubería del agua también se conecta a la fábrica de hielo. Para que la fábrica de hielo funcione correctamente, se requiere una presión de agua de entre 20 y 125 psi (138 y 862 kPa).

Si el refrigerador se instala en una zona con baja presión de agua (inferior a los 20 psi), puede instalar una bomba cebadora para compensar la baja presión.

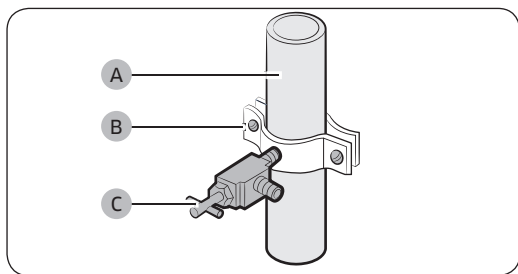
Una vez conectada la tubería de agua, asegúrese de que el tanque de almacenamiento de agua dentro del refrigerador esté lleno. Para hacerlo, presione la palanca del dispensador hasta que salga el agua.

NOTA

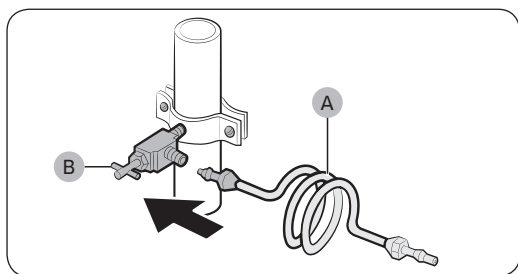
- Su distribuidor podrá ofrecerle los equipos de instalación de tuberías de agua disponibles a un costo adicional. Recomendamos utilizar un equipo de instalación de tubería de agua que contenga tubería de cobre y una tuerca de compresión de 6 mm (1/4").
- Utilice solo las mangueras nuevas provistas con el electrodoméstico. No reutilice mangueras antiguas.

ADVERTENCIA

- Mantenga las aberturas de ventilación del gabinete o estructura incorporada del electrodoméstico libres de obstrucciones. Conéctelo solamente a un suministro de agua potable.



1. Cierre el suministro de agua principal.
2. Inserte la abrazadera (B) y la válvula de cierre (C) en la tubería de agua fría (A).

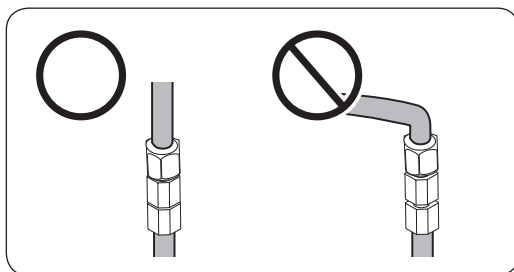
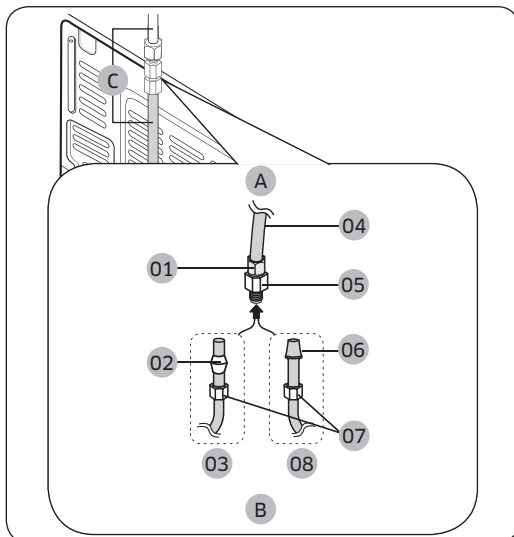


3. Conecte el equipo de instalación de la tubería de agua (A) a la válvula de cierre (B).

Conecte la tubería de suministro de agua al refrigerador

Para llevar a cabo la conexión, necesita adquirir varios elementos. Posiblemente su ferretería local los venda todos juntos en un equipo.

Tubería de cobre	<ul style="list-style-type: none">• Tubería de cobre de 1/4"• Tuerca de compresión de 1/4" (1)• Fécula (2)
Tubería de plástico	<ul style="list-style-type: none">• Tubería de plástico de 1/4" → Extremo moldeado (bulbo)• Tuerca de compresión (1) de 1/4"



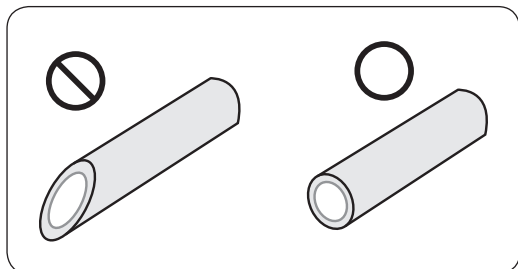
- A. Refrigerador
- B. Tubería de suministro del agua corriente
- C. Tubería de agua: Debe mantenerse recta.

- 01 Tuerca de compresión (1/4") (ensamblada)
- 02 Fécula (No provista)
- 03 Tubería de cobre (no provista)
- 04 Tubería de plástico (ensamblada)
- 05 Acople de compresión (ensamblado)
- 06 Extremo moldeado (bulbo)
- 07 Tuerca de compresión (B) (1/4") (no provista)
- 08 Tubería de plástico (A) (no provista)

NOTA

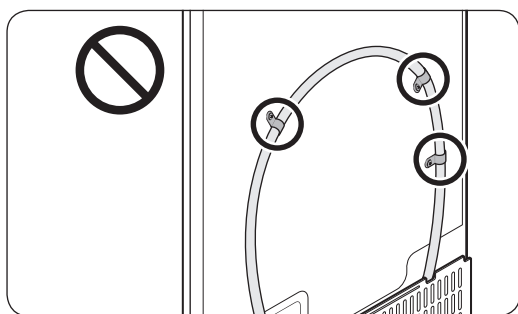
Si debe reubicar el refrigerador después de conectar la **tubería de agua (C)**, asegúrese de que la sección de la unión de la tubería se mantenga recta.

Instalación



⚠ PRECAUCIÓN

- La tubería de agua debe instalarse fuera del refrigerador.
- No use tuberías de cobre.
- En caso de cortar la tubería para adaptar el tamaño, asegúrese de realizar un corte vertical limpio a los extremos de la tubería.



⚠ PRECAUCIÓN

No instale el filtro de agua en ninguna parte del refrigerador. Esto podría dañar el refrigerador.

1. Conecte la tubería de agua corriente al acople de compresión ensamblado.
 - Si utiliza una tubería de cobre, deslice la **tuerca de compresión (B)** (no provista) y la **férula** (no provista) por la tubería de cobre (no provista) como se muestra en el gráfico.
 - Si utiliza una tubería de plástico (A), inserte el extremo moldeado (bulbo) de la tubería de plástico (A) en el acople de compresión.

⚠ PRECAUCIÓN

Si utiliza una tubería plástica, (A) no la use sin el extremo moldeado (bulbo).

2. Ajuste la **tuerca de compresión (B)** sobre el **acople de compresión**. No ajuste demasiado la **tuerca de compresión (B)**.
3. Abra el agua y verifique si hay alguna fuga. Si encuentra gotas o fugas de agua en las zonas de las conexiones, cierre el suministro de agua principal. Revise las conexiones y, de ser necesario, ajústelas.
4. Haga correr 1 galón de agua a través del filtro antes de beber o de utilizar el agua del refrigerador. (El agua debe correr unos 6 minutos.) Para hacer correr el agua, presione la palanca del dispensador de agua con un vaso o una taza grandes. Llene el vaso, vacíelo y luego repita la operación.
5. Tras poner en funcionamiento el refrigerador, deje que la fábrica de hielo haga hielo durante 1 o 2 días. Pasado este tiempo, deseche las primeras 1 o 2 cubetas de hielo para asegurarse de que se hayan eliminado todas las impurezas de la tubería de agua.

NOTA

Conecte solamente la tubería de agua a una fuente de agua potable.

- Si debe reparar o desensamblar la tubería de agua, recorte $\frac{1}{4}$ " de la tubería de plástico para asegurarse de que la conexión sea perfecta y libre de pérdidas.
- Puede probar rápidamente la tubería del agua con un vaso de papel. En condiciones normales, el dispensador de agua puede llenar un vaso de $5 \frac{3}{4}$ oz. (170 cc) en aproximadamente 10 segundos.

PASO 8 Configuración inicial

Después de finalizar los siguientes pasos, el refrigerador quedará en perfectas condiciones de funcionamiento.

1. Enchufe el cable de alimentación al tomacorriente para encender el refrigerador.
2. Abra la puerta y verifique que la luz interna se encienda.
3. Coloque la temperatura en el valor más frío y espere una hora. Luego, el congelador comenzará a enfriarse y el motor funcionará adecuadamente.
4. Espere a que el refrigerador llegue a la temperatura configurada. Ahora el refrigerador está listo para usar.

PASO 9 Verificación final

Una vez finalizada la instalación, confirme que:

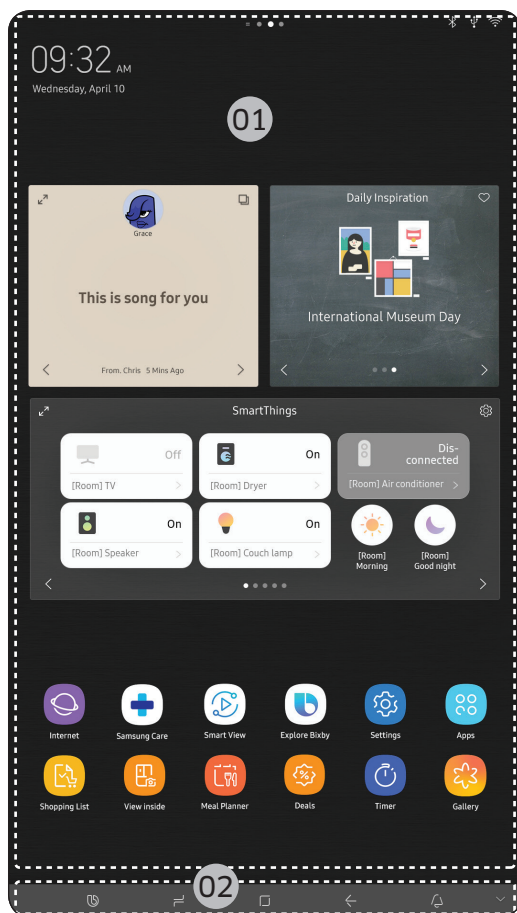
- El refrigerador esté enchufado al tomacorriente y correctamente conectado a tierra.
- El refrigerador esté instalado sobre una superficie plana y nivelada con un espacio libre adecuado con respecto a la pared o el gabinete.
- El refrigerador esté nivelado y apoyado firmemente en el piso.
- La puerta se abre y cierra libremente y la luz interior se enciende automáticamente al abrir la puerta.

Funcionamiento

Interfaz del usuario

NOTA

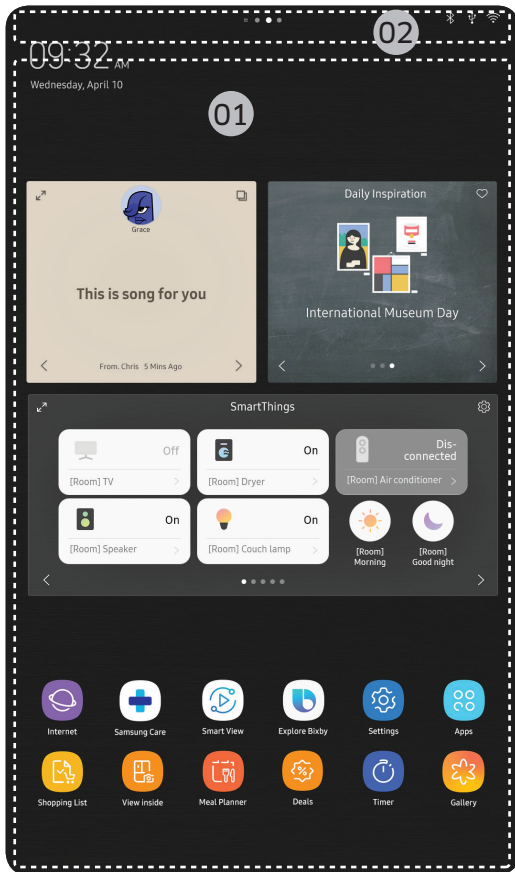
- Para obtener más información acerca de otros menús y aplicaciones disponibles en la aplicación del refrigerador, consulte el manual en línea del refrigerador.
- El contenido de aplicaciones y widgets, y su diseño, está sujeto a cambios y el soporte puede interrumpirse sin previo aviso, dependiendo de la política del proveedor de contenidos.
- El uso de funciones del refrigerador, aplicaciones y servicios por parte de los niños debe ser supervisado por adultos.
- Las transacciones con algunos servicios por parte de menores de edad deben ser supervisadas por adultos.



01 Pantalla de Inicio

02 Botones programables

01 Pantalla de Inicio



01 Aplicaciones y widgets

- Toque la aplicación o el widget deseado para iniciarlo.
- Mantenga presionada la aplicación o el widget para ingresar al modo de edición. Aparece una cuadrícula. En el modo Editar, puede arrastrar y soltar una aplicación o un widget en una nueva ubicación de la cuadrícula. Cuando desplaza una aplicación o un widget a la nueva ubicación de la cuadrícula, la ubicación se vuelve gris si está disponible. Si no está disponible, se vuelve roja.
- Puede agregar una aplicación o widget que se borró de la lista de aplicaciones.

02 Barra de estado

- Muestra el estado de distintas funciones. (Consulte la siguiente tabla de descripción de los iconos)

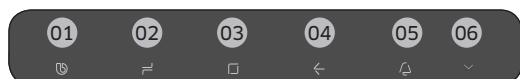
Descripción de los iconos

Bluetooth (⌘)	Indica el estado de la conexión Bluetooth.
USB (ψ)	Indica el estado de la conexión USB. NOTA El refrigerador admite memorias USB con el formato de los sistemas de archivos FAT32 o exFAT. No se admite NTFS. Asegúrese de convertir NTFS a FAT32 o exFAT antes del uso.
Gestión remota (⌘)	Se enciende cuando la gestión remota está activada y en ejecución.
Red (📶)	Indica el estado de la conexión de red en 5 niveles (Apagado, 1 a 4)
Actualización de software (🔄)	Indica que la versión más reciente de software para el refrigerador se ha descargado del servidor y está lista para la actualización.

Funcionamiento

Notificación (i)	Indica que hay un mensaje de notificación.
Sincronización de nube (↻)	Indica que Family Hub está recibiendo datos del servidor de nube.
Ahorro de Energía (🔋)	Indica que el ahorro de energía está activado.

02 Botones programables



01 Bixby

- Toque para usar Bixby.

02 Administrador de tareas

- Toque para abrir el **Administrador de tareas**.
- Consulte la sección **Administrador de tareas** para obtener más detalles.

03 Inicio

- Toque para abrir la pantalla Inicio.

04 Regresar

- Toque para regresar a la pantalla anterior.

05 Notificación

- Toque para mostrar el Panel rápido.

06 Ocultar/Mostrar

- Toque para ocultar o mostrar los botones programables.
- El botón Ocultar/Mostrar solo aparece cuando una aplicación está activa.

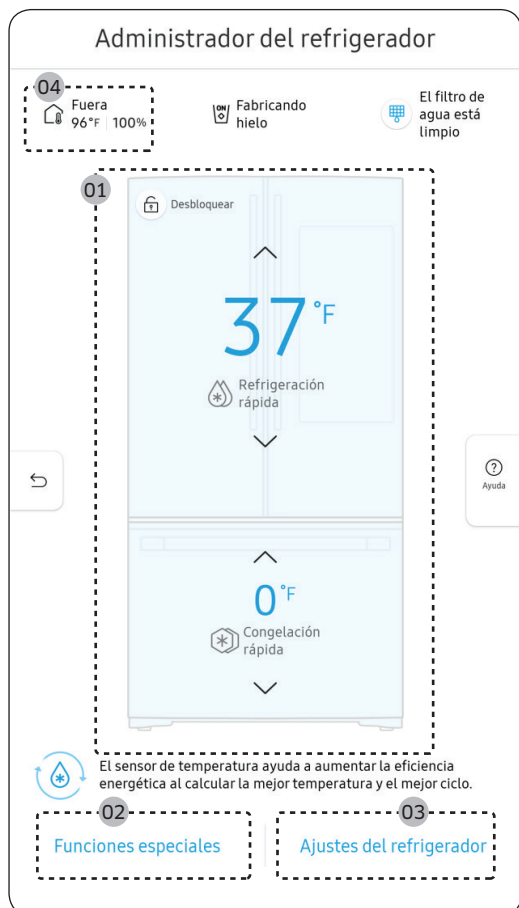
Administrador del refrigerador

Para acceder al Administrador del refrigerador, deslice el dedo por la pantalla de Inicio hacia la izquierda y, luego, toque el widget **Administrador del refrigerador**.



- Toque < o > en la parte inferior del widget para desplazarse entre las páginas.
- En la primera página puede verificar las temperaturas actuales o los modos de cada compartimiento, así como las funciones activas.
- Toque la primera página para abrir el Administrador del refrigerador para ajustes detallados.
- En la segunda página puede verificar el estado del filtro.
- Toque **Comprar filtro** en la segunda página para abrir el sitio web donde puede comprar el filtro de agua.

Funcionamiento



El Administrador del refrigerador es una representación gráfica de su refrigerador. La mitad superior representa el compartimiento del refrigerador, la parte inferior izquierda el compartimiento del congelador y la parte inferior derecha la FlexZone. Los ajustes de temperatura o modo de cada una se muestran en la sección correspondiente.

Descripción breve del Administrador del refrigerador

01 Temperatura

Cambiar la temperatura del refrigerador, congelador y FlexZone. También permite encender o apagar la función Refrigeración rápida del refrigerador y la función Congelación rápida del congelador.

- La congelación rápida acelera el proceso de congelación con la velocidad máxima del ventilador. El congelador funciona a máxima velocidad durante varias horas antes de volver a la temperatura previa.
- Para congelar una gran cantidad de alimentos, active la congelación rápida como mínimo 20 horas antes de poner alimentos en el congelador.

NOTA

Utilizar la congelación rápida aumenta el consumo energético. Asegúrese de desactivarla para que el congelador vuelva a su temperatura anterior si ya no necesita tenerla activada.

02 Funciones especiales

Ver una breve explicación de algunas funciones especiales del refrigerador.

03 Ajustes del refrigerador

Cambiar muchos de los ajustes del refrigerador, incluidos los de fabricación de hielo, alarma de la puerta y temperature units (unidades de temperatura) (°F o °C). Vea la página siguiente para más detalles.

04 Condiciones externas


Muestra la temperatura y la humedad externas (ambiente).

 **NOTA**

Las condiciones mostradas pueden diferir de la temperatura y la humedad reales.

 **NOTA**

También se muestra el indicador **Fábrica de hielo desactivada** (fabricación de hielo desactivada) en el centro de la parte superior. Cuando el indicador muestra **Fábrica de hielo desactivada**, la fabricación de hielo del refrigerador se apaga.

Fabricación de hielo (solo para los modelos correspondientes)	Activa y desactiva la fabricación de hielo. Toque y arrastre el botón para activar o desactivar. Tenga en cuenta que si la cubeta de hielo está llena, el refrigerador no comienza a fabricar hielo cuando se enciende la fábrica de hielo, sino que muestra el indicador de Hielo lleno en la pantalla principal. Si presiona la palanca del dispensador durante 5 segundos, el estado de fábrica de hielo desactivada cambia a Fabricando hielo. Si presiona la palanca del dispensador durante 5 segundos, la fábrica de hielo pasa del estado apagado al estado encendido.
Alarma de la puerta	La alarma de la puerta suena si se deja la puerta abierta. Toque y arrastre el botón para activar o desactivar.
unidad de temperatura	Cambiar la unidad de temperatura entre Celsius y Fahrenheit. Toque °F o °C para cambiar la unidad de temperatura.
Filtro de agua (solo para los modelos correspondientes)	Proporciona un tutorial sobre el reemplazo del filtro de agua y permite restablecer el indicador de reemplazo del mismo. Toque para abrir.  NOTA <ul style="list-style-type: none">• Después de instalar el filtro de agua, toque Filtro de agua y luego toque Restablecer. Al tocar Restablecer se reinicializa la función que mide el tiempo que falta para que sea necesario volver a reemplazar el filtro de agua.• Si toca Comprar filtro, se le redirigirá al sitio web donde puede comprar un filtro de agua.
Autoverificación	La autoverificación es una función de diagnóstico. Toque para abrir. Toque Inicio para ejecutar.
Ahorro de Energía	Toque y arrastre este botón para activar y desactivar el modo Ahorro de Energía. La función de ahorro de energía se activa automáticamente cuando se enciende el refrigerador. La configuración de Ahorro de Energía puede variar dependiendo del modelo. Si hay condensación o gotas de agua en las puertas, apague el modo Ahorro de Energía.

Funcionamiento

Respuesta a la demanda (solo para los modelos correspondientes)	Funciona con el administrador de ahorro de energía de Smart Grid. Toque para abrir. Toque y arrastre el botón para activar o desactivar. Consulte la sección Smart Grid de este manual para obtener más información.
Enfriamiento desactivado	<p>El modo Enfriamiento desactivado (también llamado modo Tienda), está diseñado para que lo usen los distribuidores cuando exhiben los refrigeradores en las tiendas.</p> <p>En el modo Enfriamiento desactivado, el motor del ventilador del refrigerador y las luces funcionan normalmente, pero los compresores no lo hacen, por lo tanto, el refrigerador y el congelador no se enfrían. Si Enfriamiento desactivado está activado, todos los controles de enfriamiento se apagarán en el Administrador del refrigerador.</p> <ul style="list-style-type: none">• Para activar Enfriamiento desactivado, toque Activar > Continuar desde Cancelar/Continuar.• Para desactivar Enfriamiento desactivado, toque Desactivar > Continuar desde Cancelar/Continuar.

Ajustes

Conexiones	Wi-Fi	<ul style="list-style-type: none"> • Encienda o apague una conexión Wi-Fi. La red de Wi-Fi actual aparece primera en la lista de puntos de acceso (PA)
	Estado de red	<ul style="list-style-type: none"> • Puede verificar el estado de red seleccionando el menú Estado de red.
	Bluetooth y parlante	<ul style="list-style-type: none"> • Cuando el modo altavoz está activado, puede escuchar música y multimedia en su teléfono móvil o tableta a través del parlante de Family Hub. <ul style="list-style-type: none"> - Solo se muestra un teléfono móvil o tableta conectado en la lista. • Cuando el modo altavoz está desactivado, puede buscar dispositivos con Bluetooth cercanos y conectarse a ellos. <ul style="list-style-type: none"> - Se muestra una lista de hasta 4 dispositivos Bluetooth emparejados recientemente. - Para agregar un nuevo dispositivo cuando se muestran 4 dispositivos emparejados, primero desempareje un dispositivo emparejado desde la lista de dispositivos. - Los dispositivos disponibles son audífonos, auriculares y altavoces compatibles con Bluetooth.
	Conexión fácil	<ul style="list-style-type: none"> • Conexión fácil se puede utilizar con las aplicaciones de los teléfonos inteligentes Samsung y le permite conectar su dispositivo a la misma red Wi-Fi a la que está conectado el teléfono.
Visor	Visor	<ul style="list-style-type: none"> • Permite ajustar el brillo de la pantalla, los fondos, la activación automática, el tema, el tiempo de espera de pantalla y la duración del protector de pantalla.
	Modo Limpiar pantalla	<ul style="list-style-type: none"> • Actívelo para limpiar la pantalla sin activar ninguna aplicación.
Sonido		<ul style="list-style-type: none"> • Permite ajustar el volumen y el ecualizador y activar o desactivar el sonido sensible al tacto.
Notificaciones		<ul style="list-style-type: none"> • Permite activar o desactivar la vista previa de notificaciones.
Perfil		<ul style="list-style-type: none"> • Permite agregar, editar o borrar un perfil.

Funcionamiento

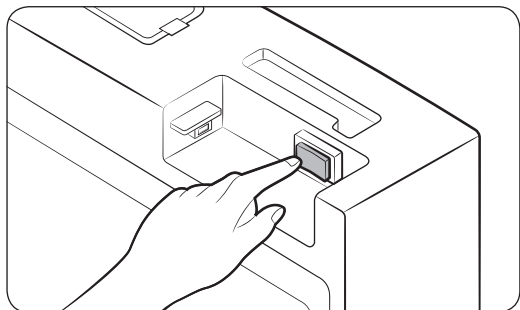
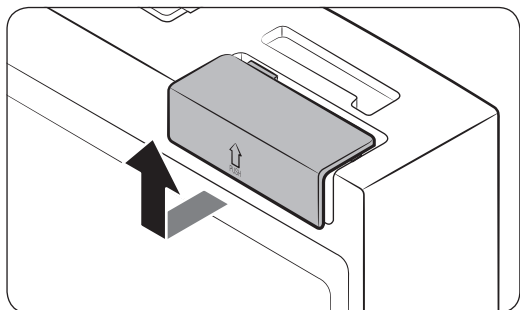
Bixby		<ul style="list-style-type: none"> • Permite configurar la función relacionada con el reconocimiento de voz. • Idioma y estilo de voz : Permite configurar el idioma para comunicarse con Bixby y el estilo de retroalimentación de voz. El idioma seleccionado se aplica solo cuando habla con Bixby. • Retroalimentación de sonido : Permite cambiar los ajustes de retroalimentación de sonido. • Activar voz : Permite configurar la activación de Bixby mediante la frase: "Hi, Bixby" ("Hola, Bixby"). También permite cambiar los ajustes de la función de activación por voz. • ID de voz : Permite cambiar los ajustes de ID de voz. También permite registrar y borrar la ID de voz. • Privacidad : Permite configurar el uso de los servicios interactivos y personalizados de Bixby para mejorar su experiencia. • Acerca de Bixby : Permite ver la versión y la información legal de Bixby.
Seguridad		<ul style="list-style-type: none"> • Activa o desactiva las restricciones en las funciones y aplicaciones de Family Hub.
Almacenamiento		<ul style="list-style-type: none"> • Permite verificar el espacio de almacenamiento de cada aplicación y de las imágenes.
Idioma y zona horaria	Idioma	<ul style="list-style-type: none"> • Seleccione el idioma preferido. Los idiomas disponibles dependen de la región de venta.
	Fecha y hora	<ul style="list-style-type: none"> • Asegúrese de que la función Actualización automática esté activada con una conexión de red Wi-Fi adecuada. Abra la puerta del refrigerador y localice el botón para restablecer el visor en el lado interno de la puerta. Presione el botón y vuelva a presionarlo para restablecer el visor. Luego, la fecha y la hora serán sincronizadas por el servidor horario. • Puede cambiar la zona horaria mediante el menú Zona horaria.

Acerca de Family Hub	Device information (Información del dispositivo)	<ul style="list-style-type: none"> • Asegúrese de que la función Actualización de software esté activada con una conexión de red Wi-Fi adecuada. • Cuando hay actualizaciones disponibles, se activa el botón Update (Actualizar). Una vez finalizadas las actualizaciones, el refrigerador se reinicia automáticamente. • La información legal muestra el acuerdo de licencia de código abierto. Toque el elemento de la lista para abrir el aviso de licencia de código abierto.
	Reiniciar y Restablecimiento de los datos de fábrica	<ul style="list-style-type: none"> • Puede reiniciar el LCD de Family Hub seleccionando el botón Reiniciar. • Puede inicializar la configuración de Wi-Fi y Bluetooth seleccionando el botón Restablecer la configuración de red. • Toque Restablecer para reiniciar el refrigerador seleccionando el botón Restablecimiento de los datos de fábrica. Todos los datos de usuario se eliminarán de forma permanente. Los datos que se eliminarán incluyen: información de cuenta, memos, fotos y ajustes del usuario. <p>⚠ PRECAUCIÓN Una vez finalizado el restablecimiento de fábrica, no se podrán recuperar los datos de usuario.</p>
Ayuda y Contáctenos	Manual en línea	<ul style="list-style-type: none"> • El manual en línea le guía por distintos menús y aplicaciones que el refrigerador proporciona directamente en el visor.
	Gestión remota	<ul style="list-style-type: none"> • Utilice Gestión remota para permitir a un representante de servicio que diagnostique problemas a distancia y provea soluciones. • La Gestión remota requiere una conexión Wi-Fi. • El menú Gestión remota no aparece en los modelos que no admiten la Gestión remota.

Funcionamiento

Restablecimiento del visor (solo para los modelos correspondientes)

Si el visor no funciona correctamente, restablézcalo. Esto podría resolver el problema.



1. Abra la puerta derecha del refrigerador y localice la cubierta del interruptor en la esquina superior derecha de la puerta.
2. Empuje hacia arriba la cubierta para revelar el interruptor de encendido.
3. Apague el interruptor y vuelva a encenderlo.
4. Vuelva a colocar la cubierta del interruptor. Oirá un clic cuando la cubierta encaje en su lugar.

SmartThings

Instalación

Visite Google Play Store, Galaxy Apps o Apple App Store y busque “SmartThings”. Descargue e instale la aplicación SmartThings provista por Samsung Electronics en su dispositivo inteligente.

NOTA

- La aplicación SmartThings no está disponible para algunas tabletas e iPad y algunos teléfonos inteligentes.
 - Compatible con sistema operativo [Android] 6.0 o superior (con un mínimo de 2GB de RAM)
 - Compatible con sistema operativo [iOS] 10.0 o superior/iPhone 6 o superior
- Para obtener un desempeño mejorado, la aplicación SmartThings estará sujeta a cambios sin previo aviso o a la interrupción del soporte según la política del fabricante.
- Los sistemas de encriptación recomendados incluyen WPA/TKIP y WPA2/AES. No se admiten protocolos de autenticación Wi-Fi más nuevos o no estándar.
- Las redes inalámbricas pueden verse afectadas por los entornos de comunicación inalámbrica circundantes.
- Si su proveedor de servicios de Internet ha registrado la dirección MAC de su computadora o módem para identificación, su Samsung Smart Refrigerator puede dar error al conectarse a Internet. Si esto ocurre, comuníquese con su proveedor de servicios de Internet para recibir asistencia técnica.
- La configuración de firewall de su sistema de red puede impedir que su Samsung Smart Refrigerator acceda a Internet. Comuníquese con su proveedor de servicios de Internet para recibir asistencia técnica. Si el síntoma persiste, comuníquese con un centro de servicios Samsung local o el minorista.
- Para configurar el punto de acceso (PA) inalámbrico, consulte el manual de usuario del PA (enrutador).
- Los refrigeradores Samsung Smart son compatibles con los protocolos IEEE 802.11 b/g/n (2.4GHz) y 802.11a/n/ac (5GHz). (Se recomiendan los protocolos IEEE 802.11 n y 802.11 ac).
- Los enrutadores Wi-Fi no autorizados pueden no conectarse con los Samsung Smart Refrigerators correspondientes.

Funcionamiento

Cuenta Samsung

Debe registrar su cuenta Samsung para utilizar la aplicación. Si no tiene una cuenta Samsung, siga las instrucciones en pantalla de la aplicación para crear una cuenta Samsung gratuita.

Cómo comenzar

Encienda el dispositivo que desea conectar, abra la aplicación SmartThings en su teléfono y siga las instrucciones que figuran a continuación.

Si aparece un mensaje emergente que indica que se encontró un nuevo dispositivo, toque **ADD NOW (AGREGAR AHORA)**.

Si no aparece el mensaje, toque el botón **+** y, en la lista de dispositivos disponibles, seleccione el dispositivo que desea conectar.

Si su dispositivo no se encuentra en la lista de dispositivos disponibles, toque **Supported Devices (Dispositivos admitidos)**, seleccione el tipo de dispositivo (Refrigerador) y luego el modelo del dispositivo específico.

Siga las instrucciones de la aplicación para configurar el dispositivo. Una vez completada la configuración, el refrigerador aparecerá como una "ficha" en la pantalla **Devices (Dispositivos)**.

Aplicación del refrigerador

Control integrado

Puede supervisar y controlar su refrigerador en su casa y estando de viaje.

- Toque el icono del refrigerador en el panel de SmartThings o toque el icono de Dispositivos en la parte inferior del panel, y luego toque la "ficha" del refrigerador para abrir la página correspondiente.
- Controle el estado de operación o las notificaciones de su refrigerador y luego modifique las opciones o parámetros si fuera necesario.



NOTA

Algunas opciones o paréntesis del refrigerador pueden no estar disponibles para el control remoto.

Categoría	Elemento	Descripción
Supervisión	Temperatura del refrigerador	Muestra la configuración deseada de la temperatura del refrigerador.
	Temperatura del congelador	Muestra la configuración deseada de la temperatura del congelador.
	Ajustes de Pantry Room	Muestra la configuración del cajón Cool Select Pantry.
	Diagnóstico	Detecta funcionamientos anormales del refrigerador.
	Monitoreo de energía	Verifica el consumo de energía acumulado del refrigerador durante los últimos 180 días.
Funciones	Fabricación de hielo	Puede activar o desactivar esta función y verificar su configuración actual.
		También puede consultar el estado y avance de la fabricación de hielo.
	Refrigeración rápida	Puede activar o desactivar la función de refrigeración rápida y ver la configuración actual.
	Congelación rápida	Puede activar o desactivar la función de congelación rápida y ver la configuración actual.
	Temperatura del refrigerador	Puede modificar la configuración deseada de la temperatura del refrigerador.
	Temperatura del congelador	Puede modificar la configuración deseada de la temperatura del congelador.
	FlexZone	Puede modificar el modo de FlexZone.
Alarmas	Temperatura anormalmente elevada	Esta alarma se dispara cuando la temperatura del refrigerador o del congelador es demasiado elevada.
	Puerta abierta	Esta alarma se dispara si la puerta del refrigerador o el cajón del congelador está abierto durante un período específico.
	Reemplazo del filtro de agua	Esta alarma le recuerda que es necesario reemplazar el filtro de agua.
Imagen interior		Puede ver el interior del refrigerador y saber cuándo debe reemplazar los alimentos.
Enlace a la aplicación Family Hub		Puede conectarse con la App Store y descargar la aplicación Refrigerator.



Funcionamiento

Función SMART GRID (Respuesta a la demanda) (solo para los modelos correspondientes)

Cuando el refrigerador opera en modo SMART GRID (Respuesta a la demanda), la función de gestión de energía del refrigerador permite controlar el uso de la energía o demorar algunas funciones para ahorrar dinero cuando el precio de la energía o la demanda son más elevados.

NOTA

- Se puede desactivar la función SMART GRID (Respuesta a la demanda) en cualquier momento utilizando la función de activación/desactivación de la anulación.
- Para usar la función SMART GRID (Respuesta a la demanda), se necesita un contrato aparte con la compañía de servicio eléctrico.

Además, para usar la función Smart Grid (Respuesta a la demanda), debe registrar el servicio en su compañía de electricidad. La compañía debe tener un EMS (sistema de gestión de energía) compatible con SEP (perfil de energía inteligente).

Uso de la función SMART GRID (Respuesta a la demanda)

Esta función controla los precios de la energía y la información de la demanda desde la compañía de servicio eléctrico y envía notificaciones al refrigerador para que ejecute tareas de alto consumo energético fuera de las horas pico cuando el costo y la demanda de la electricidad son menores.

Si el refrigerador recibe una señal de control de la compañía de servicio eléctrico, mostrará los niveles **DAL** (L3) ~ **TALR** (L4) en el visor del refrigerador y controlará el consumo energético de acuerdo con el nivel.

Condición de excepción: Las señales de control **DAL** y **TALR** de una compañía de servicio eléctrico funcionan mientras se mantiene el desempeño del producto.

Si el refrigerador recibe una señal SMART GRID (Respuesta a la demanda) (**DAL** o **TALR**), el refrigerador funcionará en el modo Demora en Capacidad de Carga del Electrodomestico o Reducción Temporal en Capacidad de Carga del Electrodomestico.

- Demora en la carga del aparato (L3): el refrigerador responde a una señal **DAL** proporcionando una reducción de carga moderada durante el periodo de demora. Esta función controla las funciones que consumen mucha energía, como el ajuste del sistema de enfriamiento, la ejecución del ciclo de descongelación y la fabricación de hielo.
 - El modo **DAL** se desactiva automáticamente pasado el periodo de tiempo establecido por la señal **DAL** (máx. 4.5 horas) o cuando se activa la función de anulación.
- Reducción temporal de la carga del aparato (L4): El refrigerador responde a una señal **TALR** reduciendo drásticamente la carga durante un corto periodo de tiempo. Esta función reduce el consumo de energía deteniendo el compresor y controlando las funciones que consumen mucha energía, como el ciclo de descongelación y la fabricación de hielo.
 - El modo **TALR** (L4) se desactiva automáticamente pasado el periodo establecido (máx. 15 minutos) o cuando se activa la función de anulación. El modo se desactiva de inmediato y el refrigerador regresa al estado normal cuando la puerta se abre o cierra o se utiliza el dispensador.



Para verificar la dirección MAC

1. Toque el icono **Ajustes** en la pantalla de Inicio.
2. Desplácese hacia abajo hasta **Acerca de Family Hub** y ábralo.
3. La pantalla muestra (entre otras cosas) la dirección MAC de Wi-Fi.

Modo de anulación

Cuando desee que el refrigerador ignore la señal SMART GRID (Respuesta a la demanda) de la compañía de servicio eléctrico, puede activar el modo de anulación.

Si activa el modo de anulación, el refrigerador ignora la señal SMART GRID (Respuesta a la demanda) y deja de estar controlado por la compañía de servicio eléctrico.

Activación y desactivación del modo de anulación

1. Toque el icono **Administrador del refrigerador**.
2. En la parte inferior de la pantalla del administrador del refrigerador, toque el icono **Ajustes del refrigerador**.
3. Toque **Respuesta a la demanda**.
4. Deslice el botón **Peak Demand Off (Pico de demanda desactivado) (Anulación)** hasta la posición **ON** o **OFF**.

NOTA

- Como alternativa, puede activar o desactivar el modo de ANULACIÓN mediante la aplicación SmartThings y la función de gestión de energía. Ver la página siguiente.

Funcionamiento

Uso de la función de gestión de energía

La función de gestión de energía permite controlar y supervisar con mayor comodidad el refrigerador Energy Management mediante la aplicación SmartThings.

NOTA

- Para usar las funciones del refrigerador Energy Management, en primer lugar debe instalar la aplicación correspondiente.
1. Estado de funcionamiento
 - Puede verificar los estados de DR y de Anulación.
 2. Informe del consumo de energía
 - Muestra el consumo de energía acumulado. Los datos del consumo de energía se actualizan cada 5 minutos.

NOTA

El informe del consumo de energía puede diferir de las especificaciones de consumo de energía del producto dependiendo del entorno de funcionamiento y de la cantidad y tipo de alimentos almacenados.

3. Capacidad de demora del descongelamiento
 - La función Capacidad de demora del descongelamiento ahorra energía demorando el descongelamiento hasta el tiempo especificado por el usuario. Se puede configurar el tiempo y esta función ahorrará energía durante el tiempo especificado en ciclos de 24 horas. Si no se establece la hora, funciona de acuerdo con la configuración de tiempo predeterminada. Las configuraciones de tiempo predeterminadas son las siguientes:
 - 6 am a 10 am: 1 de noviembre a 30 de abril.
 - 3 pm a 7 pm: 1 de mayo a 31 de octubre.

Para modificar la configuración de tiempo de la Capacidad de demora del descongelamiento

Puede cambiar la configuración de tiempo de la Capacidad de demora del descongelamiento en la aplicación.

Facilitación de acceso abierto a los requisitos del producto conectado

1. SGIP Open Standards (Smart Energy Profile 2.0 <http://www.csep.org/>)
 - Informe del consumo de energía
 - Respuesta a la demanda
2. OPEN API
 - Estado de funcionamiento, ajustes del usuario y mensajes
 - Estado de la fábrica de hielo: GET /icemaker/status/vs/0
 - Alarma de puerta abierta: GET /doors/vs/0
 - Estado DR: GET /drlc/vs/0
 - Capacidad de demora del descongelamiento
 - Establecer programación de la demora de descongelamiento: POST /defrost/reservation/vs/0?op=add
 - Obtener programación de la demora de descongelamiento: GET /defrost/reservation/vs/0
 - Borrar programación de la demora de descongelamiento: POST /defrost/reservation/vs/0?op=remove
 - Activar/desactivar demora de descongelamiento: POST /defrost/delay/vs/0

Funcionamiento

Recomendaciones relativas al reconocimiento de voz

Para la función de reconocimiento de voz, en la parte superior de la pantalla del refrigerador se encuentra un micrófono incorporado. Para usar la función de reconocimiento de voz:

- Desde una distancia no superior a 3 pies (1 metro) del refrigerador, hable fuerte y claro hacia el micrófono incorporado.
- Hable a un ritmo regular. Reduzca el ruido ambiental, como el de la sala del televisor.

NOTA

La función de reconocimiento de voz puede no funcionar si se encuentra a una distancia superior a 3 pies (1 metro) o si habla demasiado bajo.

Samsung Family Hub

Instalación

Visite Google Play Store, Galaxy Apps o Apple App Store y busque “Samsung Family Hub”. Descargue e instale la aplicación Samsung Family Hub provista por Samsung Electronics en su dispositivo inteligente.

NOTA

- La aplicación Samsung Family Hub no está disponible para algunas tabletas e iPad y algunos teléfonos inteligentes.
 - Compatible con sistema operativo [Android] 6.0 o superior (con un mínimo de 2GB de RAM)
 - Compatible con sistema operativo [iOS] 10.0 o superior/iPhone 6 o superior.
- Para obtener un desempeño mejorado, la aplicación Samsung Family Hub estará sujeta a cambios sin previo aviso. El soporte puede interrumpirse según la política del fabricante.
- Las redes inalámbricas pueden verse afectadas por los entornos de comunicación inalámbrica circundantes.
- Si su proveedor de servicios de Internet ha registrado la dirección MAC de su computadora o módem para identificación, su Samsung Smart Refrigerator puede dar error al conectarse a Internet. Si esto ocurre, comuníquese con su proveedor de servicios de Internet para recibir asistencia técnica.
- La configuración de firewall de su sistema de red puede impedir que su Samsung Smart Refrigerator acceda a Internet. Comuníquese con su proveedor de servicios de Internet para recibir asistencia técnica. Si el síntoma persiste, comuníquese con un centro de servicios Samsung local o el minorista.

Cuenta Samsung

Debe registrar su cuenta Samsung para utilizar la aplicación Samsung Family Hub. Si no tiene una cuenta Samsung, siga las instrucciones en pantalla de la aplicación para crear una cuenta Samsung gratuita.

NOTA

Para conectar el teléfono inteligente y el refrigerador, registre su cuenta Samsung en **Ajustes → Perfil**.

Elemento	Descripción
Calendario	Puede compartir su programación con la familia.
Tarea pendiente	Puede crear y editar una lista de tareas pendientes.
Memo	Puede crear y editar notas para usuarios específicos.
Pizarrón blanco	Puede enviar el contenido de un pizarrón blanco creado en el refrigerador al teléfono inteligente o viceversa.
Foto	Puede enviar fotos desde el teléfono inteligente al refrigerador.
View Inside	Puede verificar la visualización interna del refrigerador, usar etiquetas para registrar los periodos de almacenamiento propios de cada producto y controlar que los productos se utilicen según la fecha de caducidad.
Shopping List	Puede crear y editar listas de compras.

Funcionamiento

Funciones especiales

Fábrica de hielo (solo para los modelos correspondientes)

El refrigerador cuenta con una fábrica de hielo incorporada que dispensa hielo automáticamente para que pueda disfrutar de agua filtrada con hielo en cubos o triturado.

Fabricación de hielo

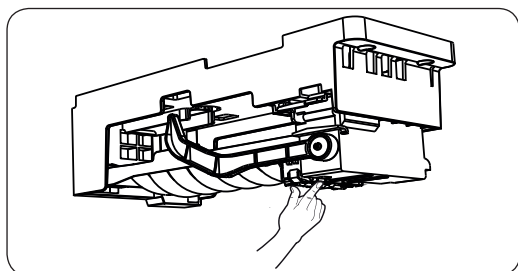
Una vez que haya instalado el refrigerador y lo haya enchufado, siga estas instrucciones a fin de asegurar la fabricación adecuada de hielo y de mantener la cubeta de hielo llena:

1. Permita que el refrigerador funcione durante al menos 24 horas sin dispensar hielo para asegurar un desempeño óptimo.
2. Extraiga el cajón del congelador y deseche el hielo de la cubeta.
 - Debe desechar la primera cubeta de hielo hecho luego de instalar el producto.

NOTA

- Si consume todo el hielo de una vez, debe esperar 8 horas antes de servir los primeros 4 a 6 cubos. Esto garantiza que la cubeta de hielo se llene adecuadamente.
- Los cubos de hielo que se generan rápidamente pueden tener un aspecto blanquecino, lo cual es normal.

Diagnóstico



Si el hielo no sale, controle la fábrica de hielo.

Para controlar la fábrica de hielo

1. Presione **Test (Prueba)** en la parte inferior de la fábrica de hielo.
2. El motor comienza a funcionar automáticamente y se suministra agua para fabricar hielo.

PRECAUCIÓN

- No presione el botón **Test (Prueba)** continuamente una vez que la charola de hielo esté llena de hielo o agua. El agua se puede desbordar o el hielo puede atascarse.
- No ponga alimentos en la cubeta de hielo. Los alimentos congelados pueden dañar la fábrica de hielo, en especial al abrir o cerrar la puerta.
- Cuando el refrigerador recupera el suministro eléctrico después de un corte, la cubeta de hielo puede contener una mezcla de cubos de hielo derretidos y pegados, lo que puede evitar que la fábrica de hielo funcione adecuadamente. A fin de evitar que suceda, asegúrese de vaciar la cubeta de hielo antes de volver a utilizar la fábrica de hielo.
- No coloque los dedos ni otros objetos en la salida del dispensador o de la fábrica de hielo. Es posible que provoque lesiones o daños materiales.

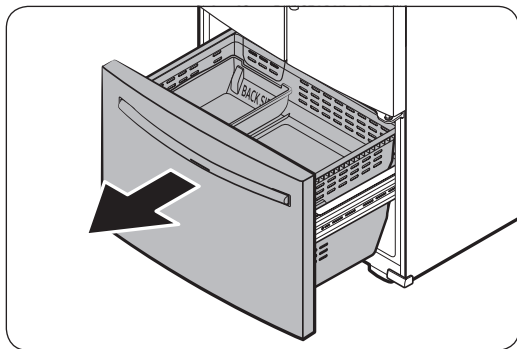
- Cuando inserte nuevamente la charola de la fábrica de hielo, asegúrese de que esté bien centrada. De lo contrario, se podría trabar.

Fábrica de hielo desactivada

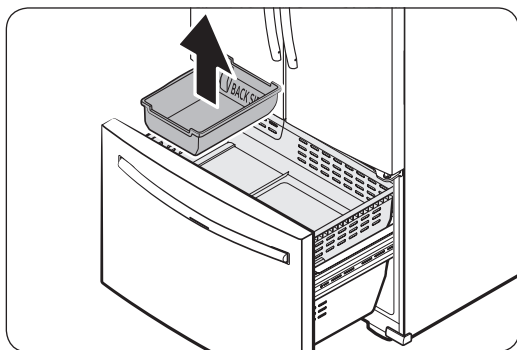
Para desactivar la fábrica de hielo, toque **Administrador del refrigerador > Ajustes del refrigerador > Fabricación de hielo** en la pantalla de Inicio y seleccione **Desactivar**. Asegúrese de vaciar la cubeta de hielo.

Los cubos de hielo restantes pueden pegarse y hacer que sea difícil retirarlos.

Para retirar la cubeta de hielo



1. Extraiga el cajón del congelador hacia el frente.



2. Levante la cubeta de hielo para retirarla.

NOTA

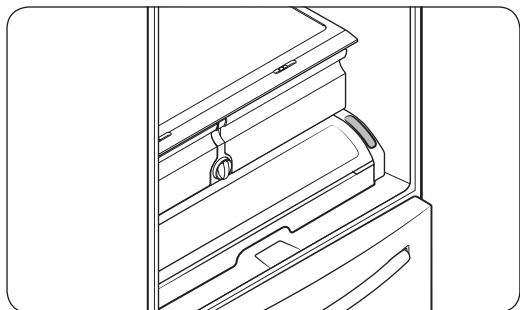
La extracción de la cubeta de hielo no afecta el desempeño térmico y mecánico del refrigerador.

Funcionamiento

Cajón Cool Select Pantry

El cajón Cool Select Pantry es un cajón de ancho completo con control de temperatura regulable. Cuenta con un sensor de temperatura que regula la cantidad de aire frío permitido en este cajón.

Barra de control



Para seleccionar un modo, presione **Temp. (Temperatura)** repetidamente. La temperatura cambia para que coincida con los ajustes del modo. Tenga en cuenta que la temperatura real depende de las condiciones de distribución de los alimentos, la temperatura ambiente y la frecuencia de apertura de la puerta.

Modo	Descripción	Alimento
Deli (Charcutería)	Selecciónelo para mantener la fruta fresca durante mucho tiempo. La temperatura del cajón se mantendrá alrededor de 41 °F (5 °C).	piñas, limones, aguacates, papas
Fresh (Fresco)	Selecciónelo para mantener bebidas, frutas y vegetales fríos y refrescantes. La temperatura del cajón se mantendrá alrededor de 38 °F (3 °C).	pepinos, manzanas, naranjas, uvas, calabacines, maíz
Chilled (Frío)	Selecciónelo para mantener la carne o el pescado fresco durante más tiempo. La temperatura del cajón se mantendrá alrededor de 34 °F (1 °C)	bistecs, quesos duros, fiambres, hot dogs

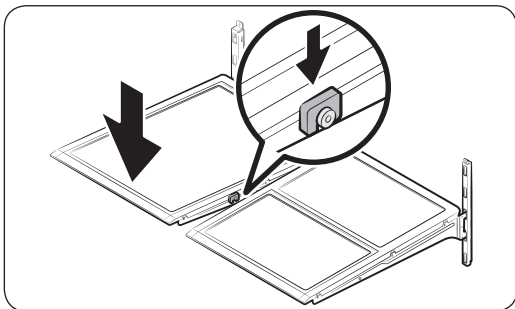
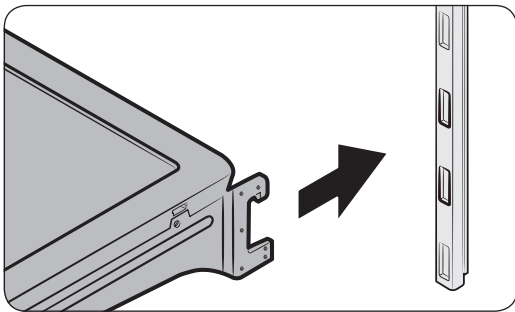
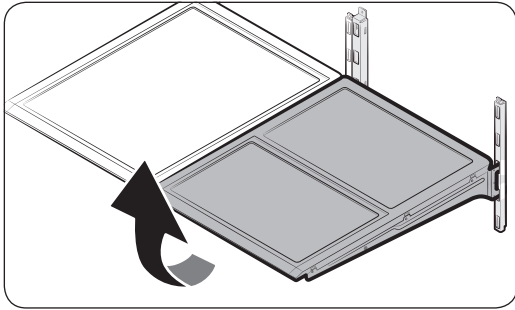
⚠ PRECAUCIÓN

- No almacene frutas ni vegetales en el modo Frío. Se pueden deteriorar.
- No almacene vegetales de hoja en el cajón.
- No almacene botellas de vidrio. Pueden romperse o congelarse.
- No deje un tazón de agua sin tapa en el cajón. Puede generarse condensación alrededor del tazón o del cajón.

Mantenimiento

Manipulación y cuidado

Estantes de vidrio templado (refrigerador)



- Para retirar un estante, abra la puerta correspondiente por completo. Sostenga la parte delantera del estante y luego levántelo suavemente y deslícelo hacia afuera.

- Para insertarlo nuevamente, sostenga el estante en ángulo de modo que la parte frontal esté más elevada que la trasera y luego inserte el gancho superior en la muesca superior del estante. Luego, baje el estante e inserte el gancho inferior del estante en la muesca inferior del estante.

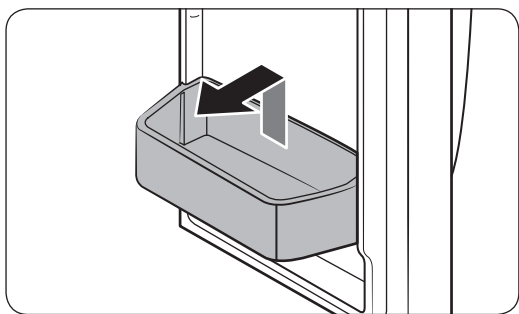
⚠ PRECAUCIÓN

- Los estantes de vidrio templado son pesados. Tenga cuidado al retirarlos.
- El estante debe insertarse correctamente. No lo coloque al revés.
- Los contenedores de vidrio pueden rayar la superficie de los estantes de vidrio.

Mantenimiento

Compartimientos de las puertas

La sección del compartimiento superior de la puerta cuenta con una línea marcada para garantizar el retiro y la reinsertión adecuados.

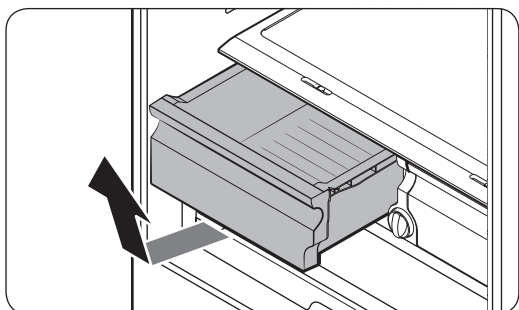


Levante el compartimiento de la puerta y luego jale en línea recta.

PRECAUCIÓN

No permita que los niños jueguen con los compartimientos. Las esquinas afiladas pueden provocar lesiones.

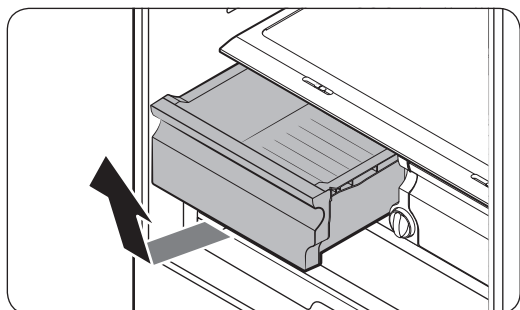
Cajones de vegetales y frutas



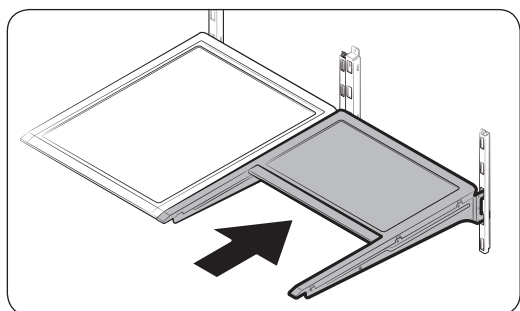
Levante suavemente el frente del cajón y deslícelo hacia afuera.

Se recomienda retirar los compartimientos de la puerta antes de retirar el cajón. Esto es para evitar que se dañen.

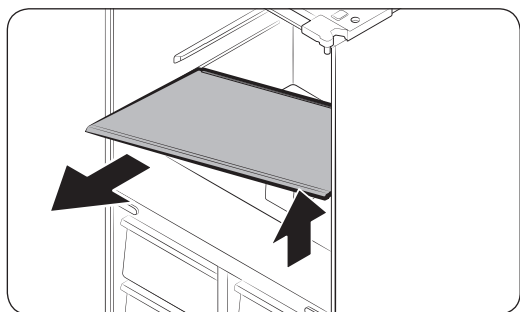
Estante para vegetales



1. Deslice hacia afuera el cajón de vegetales izquierdo.



2. Deslice hacia adentro el estante plegable derecho.



3. Mientras sujeta con una mano el estante de vegetales, deslízelo hacia afuera con la otra mano.

NOTA

Para utilizar el espacio que queda después de retirar el estante plegable, extraiga el estante de vegetales.

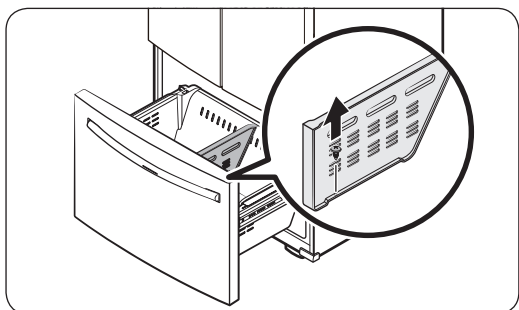
Para insertarlo nuevamente, realice el procedimiento en el orden inverso.

Cubeta de hielo (solo para los modelos correspondientes)

Para retirar la cubeta de hielo, consulte la sección de mantenimiento de la página 63.

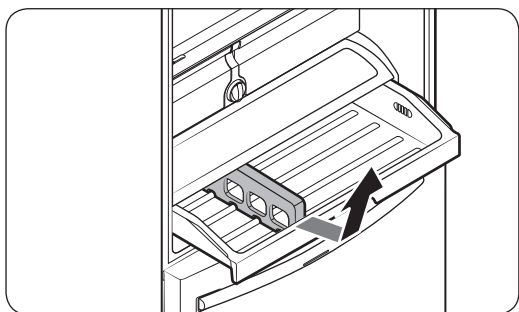
Mantenimiento

Separador de la cesta del congelador

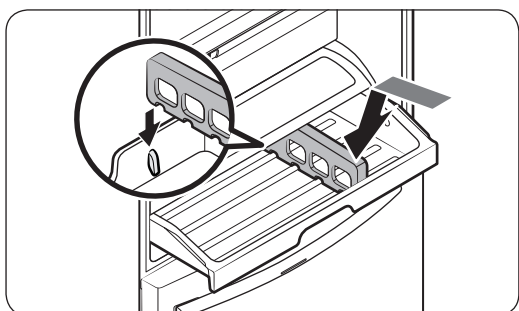


Afloje y retire el tornillo de la parte inferior del separador. Jale en línea recta para extraer el separador.

Cajón Cool Select Pantry

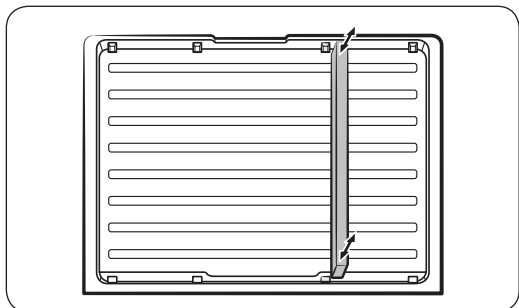


- Para retirar el cajón, ábralo completamente. Levante el frente del cajón y retírelo.



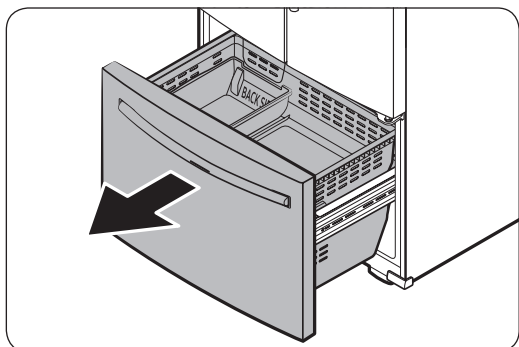
- Para volver a colocar el cajón, empuje los rieles hasta el fondo. Coloque el cajón en los rieles y deslícelo hacia atrás hasta que esté en su lugar.

Separador del cajón

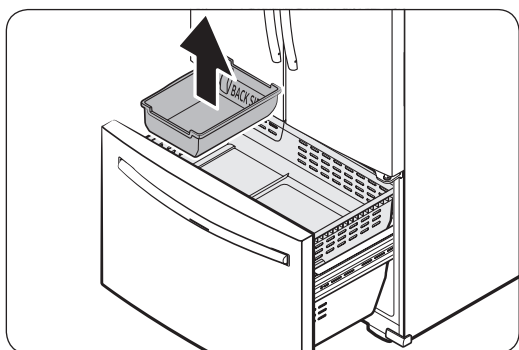


- Para retirar el separador, abra el cajón completamente. Levante primero la parte anterior del separador y luego la posterior hasta destrabarlo. Levántelo y extráigalo.
- Para volver a colocar el separador, inserte primero la parte posterior del separador y luego la anterior hasta que el separador encaje en su posición.
- El separador puede instalarse en cualquiera de los dos puntos de bloqueo.

Cubeta de hielo



1. Extraiga el cajón del congelador hacia el frente.



2. Levante la cubeta de hielo para retirarla.

Mantenimiento

Limpieza

Interior y exterior

⚠ ADVERTENCIA

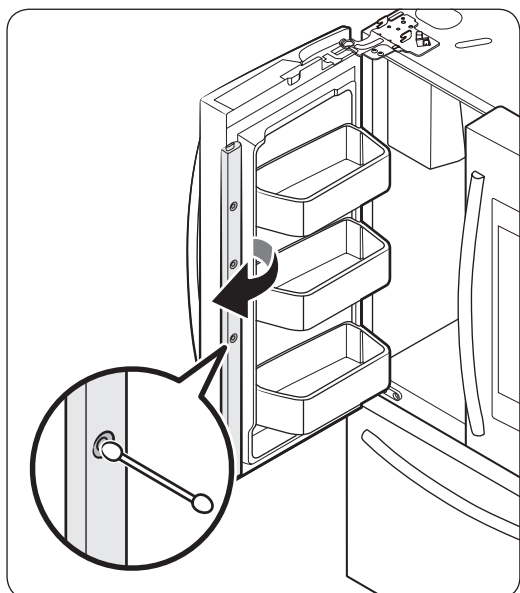
- No utilice benceno, solvente ni detergente para automóviles/hogar como Clorox™ para limpiar. Pueden dañar la superficie del refrigerador o provocar un incendio.
- No rocíe agua sobre el refrigerador. Puede provocar una descarga eléctrica.
- No coloque los dedos ni otros objetos en la salida del dispensador.

Utilice un paño seco regularmente para retirar cualquier sustancia extraña como polvo o agua de las terminales del enchufe de alimentación y los puntos de contacto.

Para limpiar el refrigerador

1. Desenchufe el cable de alimentación
2. Utilice un paño húmedo que no deje pelusa o una toalla de papel para limpiar el interior y el exterior del refrigerador.
3. Al terminar, utilice un paño seco o toalla de papel para secarlo bien.
4. Enchufe el cable de alimentación.

Cámara de visión interna



📄 NOTA

Use un hisopo de algodón o un paño de microfibra para limpiar la cámara de la puerta del lado izquierdo del refrigerador.

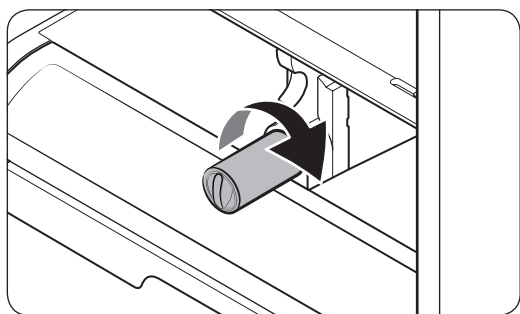
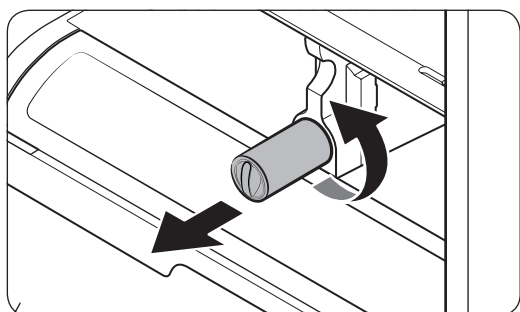
Reemplazo

Filtro de agua (solo para los modelos correspondientes)

ADVERTENCIA

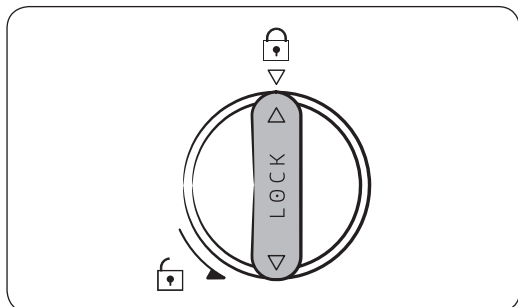
- No utilice filtros de agua de terceros. Utilice únicamente filtros provistos o aprobados por Samsung.
- Los filtros no aprobados pueden provocar pérdidas y daños al refrigerador y descargas eléctricas. Samsung no se hace responsable por los daños que puedan generarse a partir del uso de filtros de terceros.

El indicador del filtro () se pone rojo para recordarle que es momento de cambiar el filtro. Antes de reemplazar el filtro, cierre la tubería de agua.



1. Gire la perilla del cartucho del filtro en el sentido contrario a las agujas del reloj unos 90 grados (giro de 1/4). El cartucho del filtro se destraba.
2. Tire para retirar el cartucho.
 - Si el filtro de agua estuviera muy contaminado, es posible que el cartucho no pueda retirarse fácilmente. En dicho caso, retírelo por la fuerza.
 - A fin de evitar pérdidas de agua a través de la abertura del filtro, jale el cartucho en línea recta al retirarlo.
3. Inserte un nuevo cartucho de filtro. Utilice únicamente filtros provistos o aprobados por Samsung.

Mantenimiento



4. Gire la perilla del filtro en el sentido de las agujas del reloj para trabarlo en su posición.
5. En la pantalla de inicio, toque **Administrador del refrigerador** > **Ajustes del refrigerador** > **Filtro de agua** y, luego, seleccione **Restablecer**. El indicador del filtro se apaga.
6. Al finalizar el reemplazo del filtro, abra la válvula de agua y deje correr el agua por el dispensador durante unos 7 minutos. De esta forma se eliminan las impurezas y el aire de la tubería de agua.

NOTA

- Los filtros nuevos pueden hacer que brote agua del dispensador brevemente. Esto se debe al ingreso de aire en la tubería de agua.
- El proceso de reemplazo puede hacer que el dispensador de agua gotee por un período breve. Si gotea, simplemente limpie el agua del piso con una toalla seca.

Sistema de filtración por ósmosis inversa

La presión de agua del sistema de suministro hacia un sistema de filtración por ósmosis inversa debe ser de entre 35 psi y 120 psi (241 kPa y 827 kPa).

La presión de agua del sistema de filtración de agua por ósmosis inversa a la tubería de agua fría del refrigerador debe ser de al menos 40 psi (276 kPa). Si la presión de agua estuviera por debajo de estas especificaciones:

- Verifique si el filtro de sedimentos en el sistema de ósmosis inversa está bloqueado. Reemplace el filtro si fuera necesario.
- Llene nuevamente de agua el tanque de agua del sistema de ósmosis inversa.
- Si el refrigerador cuenta con un filtro de agua, es posible que la presión de agua disminuya aún más al usarlo con un sistema de ósmosis inversa. Retire el filtro de agua.

Para obtener más información sobre el mantenimiento, comuníquese con un plomero profesional.

Pedir un filtro nuevo.

Para comprar un nuevo filtro de agua, comuníquese con un centro de servicios Samsung local o visite www.samsungparts.com en Internet.

Luces LED

Para reemplazar las lámparas LED del refrigerador, comuníquese con un centro de servicios Samsung local.

ADVERTENCIA

El usuario no debe cambiar las luces LED. No intente reemplazar la luz LED usted mismo. Puede provocar una descarga eléctrica.

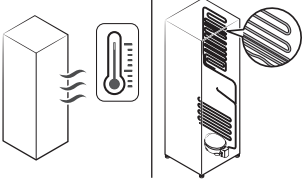
Solución de problemas

Antes de solicitar servicio técnico revise los siguientes puntos de verificación. En el caso de solicitudes de servicio para situaciones normales (cuando no existe ningún defecto), se exigirá un cargo a los usuarios.

General

Temperatura

Síntoma	Causas posibles	Solución
El refrigerador/ congelador no funciona. La temperatura del refrigerador/congelador es elevada.	<ul style="list-style-type: none">El cable de alimentación no está conectado correctamente.	<ul style="list-style-type: none">Enchufe correctamente el cable de alimentación.
	<ul style="list-style-type: none">El control de temperatura no está configurado correctamente.	<ul style="list-style-type: none">Baje la temperatura.
	<ul style="list-style-type: none">El refrigerador está ubicado cerca de una fuente de calor o expuesto a la luz solar directa.	<ul style="list-style-type: none">Mantenga el refrigerador alejado de la luz solar directa o de las fuentes de calor.
	<ul style="list-style-type: none">No hay espacio suficiente entre el refrigerador y las paredes o gabinetes cercanos.	<ul style="list-style-type: none">Asegúrese de que haya un espacio mínimo de 2.5 pulgadas (5 cm) entre la parte posterior y los lados del refrigerador y las paredes o gabinetes cercanos.
	<ul style="list-style-type: none">El refrigerador está demasiado lleno. Los alimentos bloquean las rejillas de ventilación del refrigerador.	<ul style="list-style-type: none">No sobrecargue el refrigerador. Evite que los alimentos bloqueen la ventilación.
El refrigerador/ congelador enfría demasiado.	<ul style="list-style-type: none">El control de temperatura no está configurado correctamente.	<ul style="list-style-type: none">Eleve la temperatura.

Síntoma	Causas posibles	Solución
La pared interna está caliente.	<ul style="list-style-type: none"> El refrigerador cuenta con tuberías a prueba de calor en la pared interna. 	<ul style="list-style-type: none"> A fin de evitar que se forme condensación, el refrigerador cuenta con tuberías a prueba de calor en los ángulos frontales. Si la temperatura aumenta, es posible que el equipo no funcione eficazmente. No se trata de una falla del sistema. 

Olores

Síntoma	Causas posibles	Solución
El refrigerador huele mal.	<ul style="list-style-type: none"> Alimentos descompuestos. 	<ul style="list-style-type: none"> Limpié el refrigerador y retire los alimentos descompuestos.
	<ul style="list-style-type: none"> Alimentos con olores fuertes. 	<ul style="list-style-type: none"> Asegúrese de que los alimentos con olores fuertes estén envueltos al vacío.

Solución de problemas

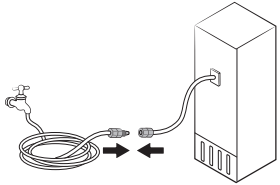
Escarcha

Síntoma	Causas posibles	Solución
Escarcha alrededor de las rejillas de ventilación.	<ul style="list-style-type: none">Los alimentos bloquean las rejillas de ventilación.	<ul style="list-style-type: none">Asegúrese de que ningún alimento bloquee las rejillas de ventilación del refrigerador.
Escarcha en las paredes internas.	<ul style="list-style-type: none">La puerta está mal cerrada.	<ul style="list-style-type: none">Asegúrese de que ningún alimento bloquee la puerta. Limpie las juntas de la puerta.
Las frutas o los vegetales se congelan.	<ul style="list-style-type: none">Las frutas o los vegetales están guardados en la despensa y la temperatura está configurada demasiado baja.	<ul style="list-style-type: none">Configure la temperatura de la despensa a una temperatura adecuada para las frutas o los vegetales.

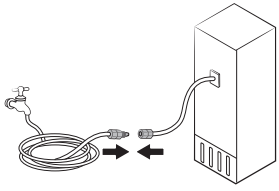
Condensación

Síntoma	Causas posibles	Solución
Se forma condensación en las paredes internas.	<ul style="list-style-type: none">Si se deja la puerta abierta, entra humedad en el refrigerador.	<ul style="list-style-type: none">Retire la humedad y no deje una puerta abierta durante períodos prolongados.
	<ul style="list-style-type: none">Alimentos con elevado contenido de humedad.	<ul style="list-style-type: none">Asegúrese de que los alimentos estén envueltos al vacío.

Agua/hielo (solo para modelos con dispensador)

Síntoma	Causas posibles	Solución
Sale menos agua de lo normal.	<ul style="list-style-type: none"> La presión del agua es demasiado baja. 	<ul style="list-style-type: none"> Asegúrese de que la presión del agua esté entre 20 y 120 psi (138 y 862 kPa).
La fábrica de hielo emite un zumbido.	<ul style="list-style-type: none"> La función de fabricación de hielo está activada, pero el suministro de agua al refrigerador no está conectado. 	<ul style="list-style-type: none"> Presione Fábrica de hielo desactivada.
La fábrica de hielo no hace hielo.	<ul style="list-style-type: none"> La fábrica de hielo está recién instalada. 	<ul style="list-style-type: none"> Debe esperar 12 horas para que el refrigerador haga hielo.
	<ul style="list-style-type: none"> La temperatura del congelador es demasiado baja. 	<ul style="list-style-type: none"> Configure la temperatura del congelador por debajo de 0 °F (-18 °C) o -4 °F (-20 °C) en ambientes cálidos.
	<ul style="list-style-type: none"> El bloqueo del dispensador está activado. 	<ul style="list-style-type: none"> Desactive el bloqueo del dispensador.
	<ul style="list-style-type: none"> Fábrica de hielo desactivada. 	<ul style="list-style-type: none"> Encienda la fábrica de hielo.
No se dispensa hielo.	<ul style="list-style-type: none"> El hielo puede atascarse si el dispensador de hielo no se utiliza durante un periodo largo de tiempo (aproximadamente 3 semanas). 	<ul style="list-style-type: none"> Si no utilizará el refrigerador por un periodo de tiempo prolongado, vacíe la cubeta de hielo y apague la fábrica de hielo.
	<ul style="list-style-type: none"> La cubeta de hielo no está insertada correctamente. 	<ul style="list-style-type: none"> Asegúrese de que la cubeta de hielo esté insertada por completo.
	<ul style="list-style-type: none"> La tubería de agua no está conectada correctamente o el suministro de agua está cerrado. 	<ul style="list-style-type: none"> Verifique que la tubería de agua esté instalada correctamente. Verifique que la llave de paso de la tubería de agua no esté cerrada. 

Solución de problemas

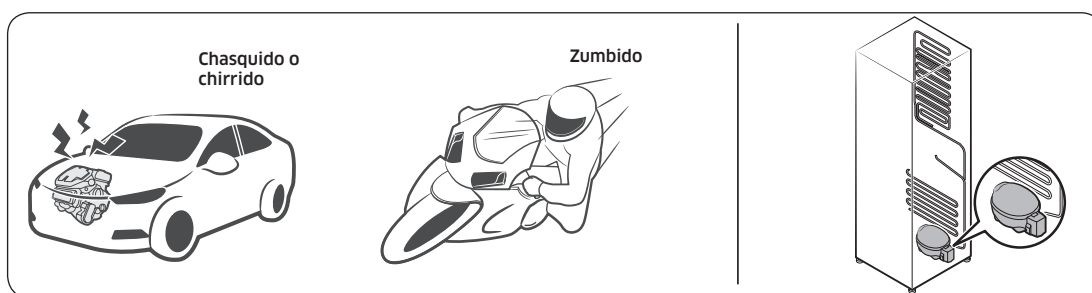
Síntoma	Causas posibles	Solución
No se dispensa agua.	<ul style="list-style-type: none"> La tubería de agua no está conectada correctamente o el suministro de agua está cerrado. 	<ul style="list-style-type: none"> Revise el estado de la instalación de agua. 
	<ul style="list-style-type: none"> El bloqueo del dispensador está activado. 	<ul style="list-style-type: none"> Desactive el bloqueo del dispensador.
	<ul style="list-style-type: none"> Se instaló un filtro de agua de terceros. 	<ul style="list-style-type: none"> Utilice únicamente filtros provistos o aprobados por Samsung. Los filtros no aprobados pueden provocar pérdidas y daños al refrigerador.
	<ul style="list-style-type: none"> El indicador de filtro de agua se enciende o parpadea. 	<ul style="list-style-type: none"> Reemplace el filtro de agua. Luego de reemplazarlo, restablezca el sensor del indicador del filtro.

¿Se oyen ruidos anómalos procedentes del refrigerador?

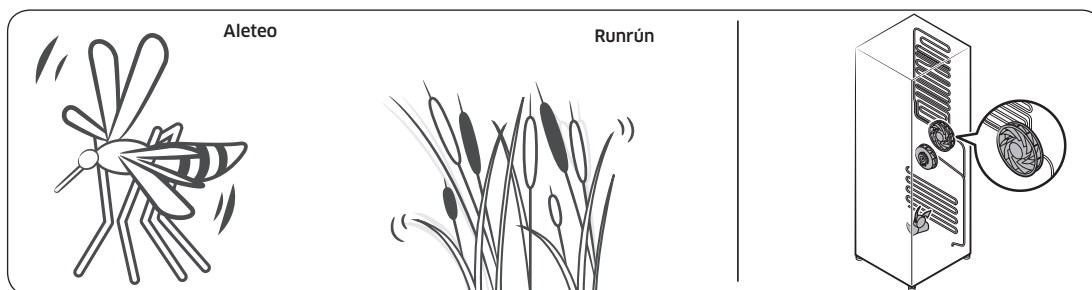
Antes de solicitar servicio técnico revise los siguientes puntos de verificación. En el caso de solicitudes de servicio relacionado con ruidos normales se exigirá un cargo al usuario.

Dichos ruidos son normales.

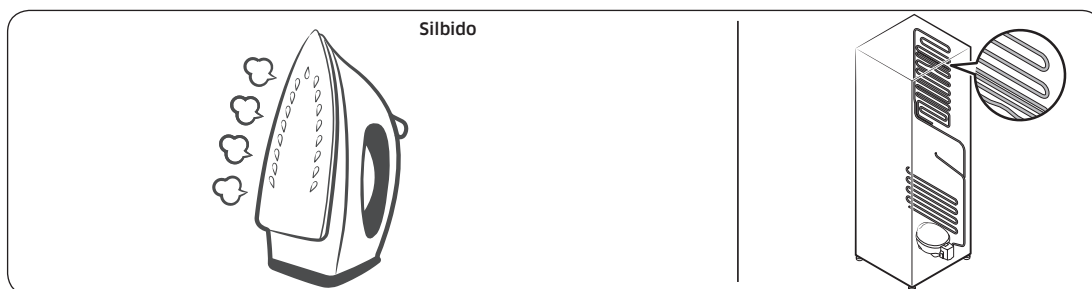
- Cuando se inicia o finaliza una operación, el refrigerador puede emitir unos sonidos similares al encendido del motor de un auto. Cuando la operación se estabiliza, el ruido disminuye.



- Cuando el ventilador está en funcionamiento puede producir algunos ruidos. Cuando el refrigerador alcanza la temperatura establecida, el ruido del ventilador se detiene.

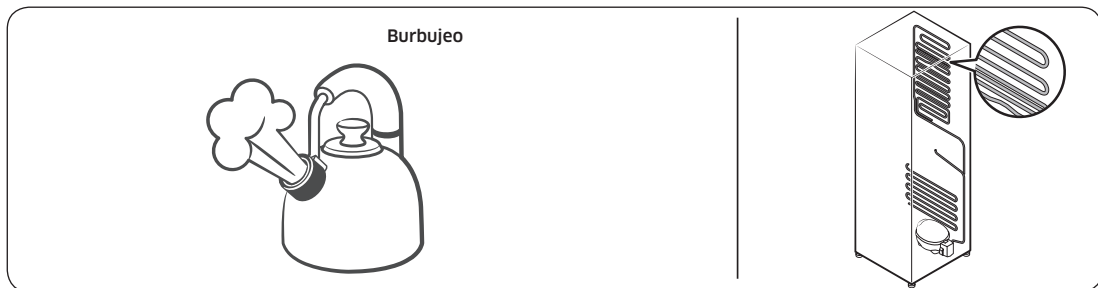


- Durante un ciclo de descongelación, pueden caer gotas de agua sobre el calefactor y producir ruidos de chisporroteo.

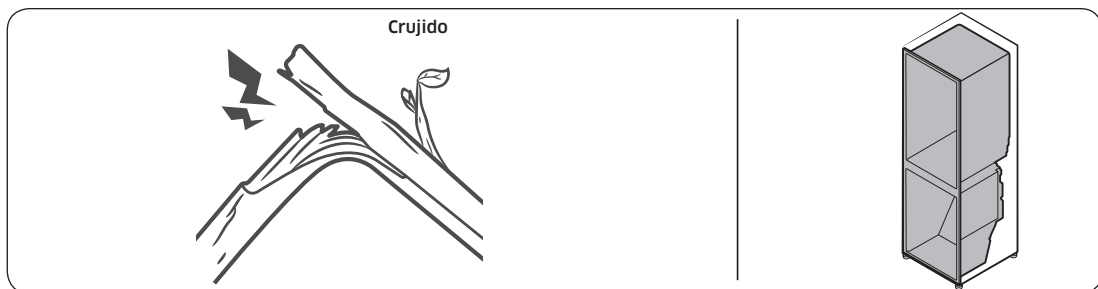


Solución de problemas

- Cuando el refrigerador enfría o congela, el gas refrigerante circula por las tuberías selladas y produce ruidos de burbujas.



- Cuando la temperatura del refrigerador aumenta o disminuye, las partes plásticas se contraen y se expanden y producen ruidos de golpeteo. Dichos ruidos se producen durante el ciclo de descongelación o cuando las piezas electrónicas están funcionando.



- Para modelos con fábrica de hielo: Cuando la válvula de agua se abre para llenar la fábrica de hielo, pueden emitirse unos zumbidos.
- Debido a la equalización de la presión cuando se abre y cierra la puerta del refrigerador, pueden producirse sonidos silbantes.

SmartThings

Síntoma	Acción
No se encuentra "SmartThings" en el mercado de aplicaciones.	<ul style="list-style-type: none">• La aplicación SmartThings no está disponible para algunas tabletas e iPad y algunos teléfonos inteligentes.<ul style="list-style-type: none">- Compatible con sistema operativo [Android] 6.0 o superior (con un mínimo de 2GB de RAM)- Compatible con sistema operativo [iOS] 10.0 o superior/iPhone 6 o superior.
La aplicación SmartThings no funciona.	<ul style="list-style-type: none">• La aplicación SmartThings está disponible únicamente para los modelos correspondientes.• La aplicación Samsung Smart Refrigerator antigua no puede conectarse con los modelos Samsung Smart Home.
La aplicación SmartThings está instalada pero no se conecta a mi refrigerador.	<ul style="list-style-type: none">• Debe iniciar una sesión con su cuenta Samsung para utilizar la aplicación.• Asegúrese de que su enrutador funcione normalmente.• Si no conectó el refrigerador a la aplicación SmartThings luego de instalar esta, debe establecer la conexión con la función de registro del dispositivo de la aplicación.
No se puede iniciar una sesión en la aplicación.	<ul style="list-style-type: none">• Debe iniciar una sesión con su cuenta Samsung para utilizar la aplicación.• Si no tiene una cuenta Samsung, siga las instrucciones en pantalla de la aplicación para crear una.
Cuando trato de registrar mi refrigerador aparece un mensaje de error.	<ul style="list-style-type: none">• Easy Connection puede fallar como resultado de la distancia con respecto al punto de acceso (PA) o una interferencia eléctrica del entorno circundante. Espere un momento e inténtelo nuevamente.
La aplicación SmartThings está conectada correctamente a mi refrigerador pero no funciona.	<ul style="list-style-type: none">• Salga y reinicie la aplicación SmartThings o desconecte el enrutador y conéctelo nuevamente.• Desconecte el cable de alimentación del refrigerador y enchúfelo nuevamente después de 1 minuto.

Solución de problemas

Samsung Family Hub

Síntoma	Acción
No se encuentra "Samsung Family Hub" en el mercado de aplicaciones.	<ul style="list-style-type: none">• La aplicación Samsung Family Hub no está disponible para algunas tabletas e iPad y algunos teléfonos inteligentes.<ul style="list-style-type: none">- Compatible con sistema operativo [Android] 6.0 o superior (con un mínimo de 2GB de RAM)- Compatible con sistema operativo [iOS] 10.0 o superior/iPhone 6 o superior.
No se puede iniciar una sesión en la aplicación.	<ul style="list-style-type: none">• Debe iniciar una sesión con su cuenta Samsung para utilizar la aplicación.• Si no tiene una cuenta Samsung, siga las instrucciones en pantalla de la aplicación para crear una.

Smart Grid (solo para los modelos correspondientes)

Síntoma	Acción
¿Qué necesito para utilizar las funciones de gestión de energía y Smart Grid?	<p>Para usar las funciones Smart Grid (Respuesta a la demanda) y de gestión de energía del refrigerador, se necesita lo siguiente:</p> <p>Dispositivos</p> <ul style="list-style-type: none">• Un punto de acceso inalámbrico (enrutador)• Un refrigerador que admita Samsung Energy Management• Un teléfono inteligente <p>Registro</p> <ul style="list-style-type: none">• Conecte el refrigerador a su red Wi-Fi doméstica.• Regístrese en el servicio EMS con su compañía de electricidad. Su compañía eléctrica debe tener un EMS (sistema de gestión de energía) compatible con SEP (perfil de energía inteligente). <p>Aplicación</p> <ul style="list-style-type: none">• Descargue la aplicación SmartThings desde Google Play Store, Apple App Store o Samsung Galaxy Apps.• Instale y ejecute la aplicación SmartThings en su teléfono inteligente.
¿Por qué la función de gestión de energía no opera con normalidad?	<ul style="list-style-type: none">• Asegúrese de que el enrutador de su casa opere normalmente con un servicio y una conexión a Internet correctos.• Asegúrese de que el refrigerador esté conectado al PA (enrutador). <p>Puntos de verificación</p> <ul style="list-style-type: none">• Conecte su teléfono inteligente al enrutador (PA, punto de acceso) y revise si puede acceder a Internet desde el teléfono inteligente.
¿Por qué la capacidad de demora del descongelamiento no opera con normalidad?	<ul style="list-style-type: none">• Asegúrese de que el enrutador de su casa opere normalmente con un servicio y una conexión a Internet correctos.

Solución de problemas

LCD

Síntoma	Acción
No puedo conectarme al televisor.	<ul style="list-style-type: none">Este refrigerador solo puede conectarse con Smart TV Samsung lanzados en 2015~17: Serie J/K/MU6400 o superior. Lanzado en 2018: Serie NU7400 o superior, lanzado en 2018: Serie Q60R o superior. Revise primero el nombre de modelo de su televisor.Las conexiones de red pueden interrumpirse temporalmente. Apague el televisor y vuelva a intentarlo.
La imagen de la vista interior se ve deformada o incompleta.	<ul style="list-style-type: none">Los bordes de la vista interior pueden verse deformados. La deformación es causada por la lente convexa de la cámara.La vista interior puede estar incompleta debido a los puntos ciegos de las esquinas izquierda y derecha, o alterados dependiendo de la forma de los alimentos. Asegúrese de colocar los alimentos en el centro de la parte delantera.
La medición que se muestra en el Administrador del refrigerador no es correcta.	<ul style="list-style-type: none">Las condiciones mostradas pueden diferir de la temperatura y la humedad reales.

GARANTÍA LIMITADA (EE.UU.)

REFRIGERADOR SAMSUNG

GARANTÍA LIMITADA AL COMPRADOR ORIGINAL CON COMPROBANTE DE COMPRA

Este producto de marca SAMSUNG, suministrado y distribuido por Samsung Electronics America, Inc. (SAMSUNG) y entregado nuevo en su caja de fábrica al comprador original, está garantizado por SAMSUNG ante defectos de fabricación relacionados con los materiales o la mano de obra durante el período de garantía limitado a:

Un (1) año para las piezas y la mano de obra

Cinco (5) años para las piezas y la mano de obra exclusivamente del sistema hermético de refrigeración (compresor, evaporador, condensador, deshumidificador y tuberías de conexión)

Diez (10) años para las piezas y cinco (5) años para la mano de obra exclusivamente del compresor Inverter digital

Esta garantía limitada solo es válida para productos comprados y utilizados en Estados Unidos de América que hayan sido instalados, operados y mantenidos de acuerdo a las instrucciones que se adjuntaron o proporcionaron con el producto. Para recibir el servicio técnico de la garantía, el comprador debe comunicarse con SAMSUNG en la dirección o con el número de teléfono detallado en esta garantía con el fin de que se determine el problema y los procedimientos del servicio. El servicio de garantía solo puede realizarse a través de un Centro de Servicio autorizado por SAMSUNG. Debe presentarse la factura original de venta bajo solicitud de SAMSUNG o del Centro de Servicio autorizado por SAMSUNG como prueba de compra para recibir el servicio técnico de la garantía.

SAMSUNG brindará servicio técnico a domicilio sin costo dentro de los Estados Unidos contiguos durante el período de garantía, sujeto a disponibilidad de los prestadores de servicio técnico autorizados dentro del área geográfica del cliente. Si el servicio a domicilio no está disponible, SAMSUNG podrá, según su criterio, optar por brindar el servicio de transporte del producto de ida y vuelta al centro de servicio. Si el producto se encuentra en un área sin prestadores de servicio técnico autorizado de SAMSUNG, es posible que se cobre el costo del viaje o se solicite que el cliente lleve el producto a un centro de servicio técnico autorizado de SAMSUNG para que se realice el servicio técnico.

Como condición para que se preste este servicio a domicilio, el producto debe encontrarse libre de obstrucciones y accesible para el agente de servicio.

Durante el período de garantía correspondiente, el producto se reparará, reemplazará, o se devolverá el monto de la compra, según decida SAMSUNG. SAMSUNG podrá utilizar piezas nuevas o reparadas al reparar el producto; o lo reemplazará con un producto nuevo o reparado. Las piezas y los productos reemplazados estarán garantizados por la garantía del producto original que resta, o noventa (90) días, el período que sea el más prolongado. Todas las piezas y los productos reemplazados son propiedad de SAMSUNG y deben ser devueltos a SAMSUNG.

GARANTÍA LIMITADA (EE.UU.)

Esta garantía limitada cubre defectos de fabricación en materiales o de mano de obra bajo condiciones de uso doméstico normal, no comercial, del producto y no cubrirá lo siguiente: daños ocasionados durante el transporte, la entrega o la instalación o por uso distinto al previsto para este producto; producidos por modificación o alteración no autorizada del producto; productos a los que se le borraron, desfiguraron o cambiaron de forma alguna los números de serie de fabricación originales, o en los que no se puede leer con claridad; daños cosméticos como rayones, abolladuras o muescas, o cualquier daño al acabado del producto; daños producidos por abuso, uso incorrecto, infestación de plagas, accidentes, incendios, inundaciones u otros fenómenos de la naturaleza o casos de fuerza mayor; daños producidos por uso de equipos, herramientas, servicios, piezas, suministros, accesorios, aplicaciones, instalaciones, reparaciones, cableado externo o conectores no suministrados o autorizados por SAMSUNG; daños causados por corriente o voltaje incorrectos, sobretensión o fluctuación de la línea eléctrica; daños causados por no operar o mantener el producto como establecen las instrucciones; instrucción a domicilio sobre el uso del producto; servicio técnico para el arreglo de instalaciones que no se adecuan a los códigos de electricidad y fontanería o arreglo de conexiones eléctricas o de fontanería del hogar (por ejemplo, arreglos de cableado, fusibles o tuberías de la toma de agua). El costo de reparación o remplazo bajo estas circunstancias excluidas le corresponderá al cliente.

Las visitas de un técnico de servicio autorizado para explicar las funciones, el mantenimiento o la instalación del producto no están cubiertas por esta garantía limitada. Comuníquese con SAMSUNG al número que figura a continuación si necesita asistencia en los anteriores casos.

EXCLUSIÓN DE GARANTÍAS IMPLÍCITAS

GARANTÍAS TÁCITAS, INCLUYENDO LAS GARANTÍAS DE COMERCIABILIDAD O APTITUD PARA UN PROPÓSITO ESPECIAL, POSEEN UN TÉRMINO LIMITADO DE UN AÑO O EL PERÍODO MÁS CORTO PERMITIDO POR LA LEY. Algunos Estados no permiten limitaciones en cuanto al plazo de una garantía implícita, por lo tanto las limitaciones o exclusiones antedichas pueden no aplicarse en su caso. Esta garantía le otorga derechos específicos, e incluso puede otorgarle otros derechos que varían de un estado a otro.

LIMITACIÓN DE COMPENSACIÓN

SU ÚNICA COMPENSACIÓN ES LA REPARACIÓN DEL PRODUCTO, EL REMPLAZO DEL PRODUCTO O LA DEVOLUCIÓN DEL MONTO DE LA COMPRA, SEGÚN DECIDA SAMSUNG, DE ACUERDO A LO ESTIPULADO EN ESTA GARANTÍA LIMITADA. SAMSUNG NO SERÁ RESPONSABLE DE DAÑOS IMPREVISTOS O DERIVADOS, QUE INCLUYEN PERO NO SE LIMITAN AL TIEMPO Y FORMA DEL TRABAJO, HOTELES Y/O COMIDAS DE RESTAURANTES, GASTOS DE REMODELACIÓN, PÉRDIDA DE INGRESOS O GANANCIAS, NO OBTENCIÓN DE AHORROS U OTROS BENEFICIOS SIN IMPORTAR LA TEORÍA JURÍDICA EN LA QUE SE BASA EL RECLAMO, INCLUSO SI SE HA NOTIFICADO A SAMSUNG QUE TALES DAÑOS ERAN POSIBLES. Algunos estados no permiten la exclusión o limitación de daños imprevistos o derivados, por lo tanto las limitaciones o las exclusiones nombradas anteriormente podrían no aplicarse. Esta garantía le otorga derechos específicos, e incluso puede otorgarle otros derechos que varían de un estado a otro.

SAMSUNG no garantiza un funcionamiento ininterrumpido y sin fallas del producto. Ninguna otra garantía otorgada por persona, compañía o corporación alguna con respecto al presente producto revestirá carácter vinculante para SAMSUNG.

Para obtener el servicio de garantía, pónganse en contacto con SAMSUNG en:

Samsung Electronics America, Inc.
85 Challenger Road
Ridgefield Park, NJ 07660
1-800-SAMSUNG (726-7864)
www.samsung.com/us/support

Modelo	RF262BEAESR
Modelo alternativo	RF262BEAE** (El símbolo "*" puede ser cualquier carácter alfanumérico).
Parte responsable - Información de contacto en EE. UU.	Samsung Electronics America, Inc. 85 Challenger Road. Ridgefield Park, NJ 07660 Teléfono: 1-800-SAMSUNG (726-7864)

Declaración de cumplimiento con las normas de la FCC

Este aparato cumple con la sección 15 de las Normas de la FCC. El funcionamiento se encuentra sujeto a las siguientes dos condiciones: (1) Este aparato no puede causar interferencia dañina, y (2) este aparato debe aceptar la recepción de cualquier interferencia, incluidas aquellas que puedan causar un funcionamiento indeseado.

Notas



Scan the QR code* or visit
www.samsung.com/spsn
to view our helpful
How-to Videos and Live Shows

* Requires reader to be installed on your
smartphone

Scan this with your smartphone

Contacte a SAMSUNG WORLD WIDE

Si tiene preguntas o comentarios relacionados con los productos Samsung, póngase en contacto con el Servicio de Atención al Cliente de SAMSUNG.

País	Centro de contacto	Sitio web
U.S.A	1-800-SAMSUNG (726-7864) 1-844-SAM-PAYS (726-7297)	www.samsung.com/us/support



DA68-02601P-00