

# Freestanding French Door Refrigerator Freezer, 36", 20.1 cu ft, Ice & Water

Series 7 | Contemporary

Stainless Steel | French hinge

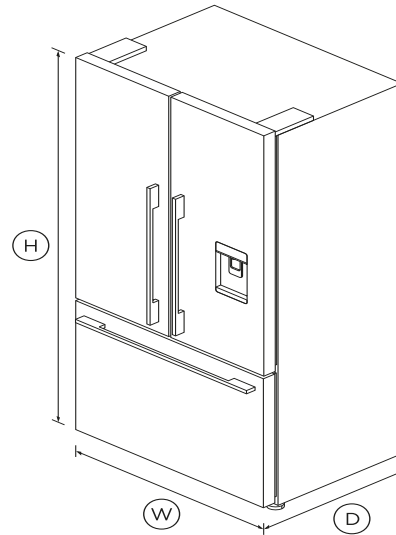


Designed for those who need plenty of flexible space for their cold and frozen food storage, with a stylish stainless steel finish.

- ActiveSmart™ helps keep food fresher for longer
- Bottom freezer drawer
- Brushed metal handles

## DIMENSIONS

|        |           |
|--------|-----------|
| Height | 70 15/32" |
| Width  | 35 7/16"  |
| Depth  | 27 3/8"   |



## FEATURES & BENEFITS

### ActiveSmart™ Foodcare

ActiveSmart™ Foodcare learns how you live. It's technology which understands how you use your fridge and adjusts temperature, airflow and humidity inside to help keep food fresher for longer.

### Clever energy

Your refrigerator adapts to daily use by cooling and defrosting only when needed. This means your refrigerator uses the energy it needs without compromising on food care.

### Water on tap

The slimline dispenser makes it easy to fill almost any sized jug or vessel with cool filtered water and doesn't take up any storage space in your refrigerator.

### Design quality

Our refrigerators are designed and built using quality materials. We use real stainless steel on our refrigerators and solid glass for shelving.

### Humidity control

Your fruit and veges need different environments. The humidity control slides in each storage bin create a microclimate that helps keep food fresher for longer.

### Ice maker

Fresh ice is always available for you in a dedicated freezer bin. Simply turn it off to free up freezer space or during busy times, you can boost ice production by up to 30%.

### Easy cleaning

Spill-safe secure glass shelves easily capture any drips or leaks and prevent them from falling on items below.

## SPECIFICATIONS

### Accessories

|                            |                    |
|----------------------------|--------------------|
| Contemporary round handle  | 25377              |
| Matching Replacement Water | Part number 847200 |

### Capacity

|                      |           |
|----------------------|-----------|
| Total gross capacity | 20.1cu ft |
| Volume freezer       | 5.5       |
| Volume refrigerator  | 14.6cu ft |

### Consumption

|              |             |
|--------------|-------------|
| Energy usage | 532kWh/year |
|--------------|-------------|

**Features**

|                            |        |
|----------------------------|--------|
| Adjustable door shelves    | 6      |
| Adjustable glass shelves   | 3      |
| Covered door shelves       | 2      |
| Deli storage bins          | 2      |
| Door alarm                 | •      |
| Fruit and vegetable bins   | 2      |
| LED lighting               | •      |
| SmartTouch control panel   | •      |
| Soft close doors           | •      |
| Stackable bottle holders   | 4      |
| Ultra slim water dispenser | •      |
| Water Filter               | 847200 |

**Freezer Features**

|                     |   |
|---------------------|---|
| Automatic ice maker | • |
| Bottle chill        | • |
| Fast freeze         | • |
| Ice Boost           | • |
| Ice bin and scoop   | • |

**Performance**

|                                |   |
|--------------------------------|---|
| ActiveSmart™ Foodcare          | • |
| ActiveSmart™ technology        | • |
| Adaptive defrost               | • |
| Frost free freezer             | • |
| Humidity control system        | • |
| Inverter controlled compressor | • |

Sabbath mode •

**Product dimensions**

|                                 |           |
|---------------------------------|-----------|
| Depth                           | 27 3/8"   |
| Height                          | 70 15/32" |
| Minimum air clearance - at rear | 1 3/16"   |
| Minimum air clearance - each    | 1 3/16"   |
| Width                           | 35 7/16"  |

**Warranty**

|                               |                    |
|-------------------------------|--------------------|
| Parts and labor               | 2 years            |
| Sealed system parts and labor | additional 3 years |

SKU 25959

The product dimensions and specifications in this page apply to the specific product and model. Under our policy of continuous improvement, these dimensions and specifications may change at any time. You should therefore check with Fisher & Paykel's Customer Care Centre to ensure this page correctly describes the model currently available. ? Fisher & Paykel Appliances Ltd 2020

**Other product downloads available at fisherpaykel.com**

- [↓](#) User Guide
- [↓](#) User Guide
- [↓](#) Energy Label
- [↓](#) Installation Guide
- [↓](#) Installation Guide - Quick Reference
- [↓](#) Install Guide - Water Filter Replacement
- [↓](#) Data Sheet Freestanding French Door Fridge Freezer



**A PEACE OF MIND SALE**

**24 Hours 7 Days a Week Customer Support**

**T 1.888.936.7872 W www.fisherpaykel.com**