

# Freestanding Refrigerator Freezer, 32", 17.1 cu ft, Ice & Water

Series 5 | Contemporary

Stainless Steel | Left hinge

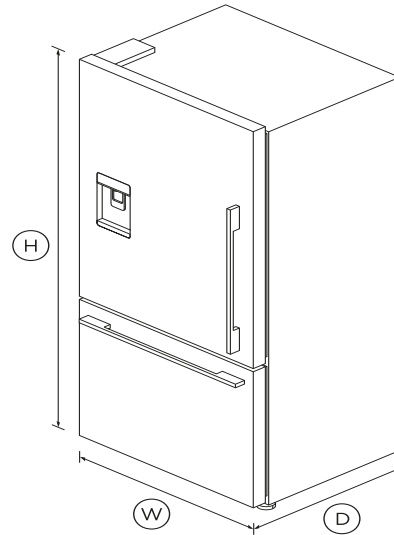


This stylish left hinge refrigerator has a large capacity and comes in timeless stainless steel.

- Bottom freezer drawer
- ActiveSmart™ helps keep food fresher for longer
- Brushed metal handles

## DIMENSIONS

Height	67 3/4"
Width	31 1/8"
Depth	27 3/8"



## FEATURES & BENEFITS

### ActiveSmart™ Foodcare

<>

### Easy cleaning

No more permanent dirty marks with our EZKleen feature for stainless steel refrigerators. Anti-fingerprint coating means you simply wipe clean any marks. Spill-safe secure glass shelves easily capture any drips or leaks.

### Design quality

Our refrigerators are designed and built using quality materials. We use real stainless steel on our refrigerators and solid glass for shelving.

### Water on tap

The slimline dispenser makes it easy to fill almost any sized jug or vessel with cool filtered water and doesn't take up any storage space in your refrigerator.

### Ice maker

Fresh ice is always available for you in a dedicated freezer bin. Simply turn it off to free up freezer space or during busy times, you can boost ice production by up to 30%.

## SPECIFICATIONS

### Accessories

Contemporary round handle	25379
Joiner kit	819264
Matching Replacement Water	FWC3
Surround Kit (Joined left/right)	Part number 24476
Surround Kit (Right Hand)	24475

### Capacity

Volume refrigerator	12.3cu ft
---------------------	-----------

### Consumption

Energy usage	535kWh/year
--------------	-------------

### Features

Adjustable glass shelves	4
Covered door shelves	2
Door alarm	•
Fruit and vegetable bins	2

SmartTouch control panel	•
Stackable bottle holders	2
Ultra slim water dispenser	•
Water Filter	<b>Model number 836848</b>

Sealed system parts and labor **additional 3 years**

SKU 25949

The product dimensions and specifications in this page apply to the specific product and model. Under our policy of continuous improvement, these dimensions and specifications may change at any time. You should therefore check with Fisher & Paykel's Customer Care Centre to ensure this page correctly describes the model currently available. © Fisher & Paykel Appliances Ltd 2020

**Freezer Features**

- Automatic ice maker
- Bottle chill
- Fast freeze
- Ice Boost
- Ice bin and scoop
- Large plastic bins

**Performance**

- ActiveSmart™ Foodcare
- ActiveSmart™ technology
- Adaptive defrost
- Frost free freezer
- Humidity control system
- Sabbath mode

**Product dimensions**

Depth	27 3/8"
Height	67 3/4"
Minimum air clearance - at rear	1 3/16"
Minimum air clearance - each	1 3/16"
Width	31 1/8"

**Warranty**

Parts and labor **2 years**

**Other product downloads available at fisherpaykel.com**

- [↓](#) User Guide
- [↓](#) User Guide
- [↓](#) Energy Label
- [↓](#) Installation Guide
- [↓](#) Installation Guide - Quick Reference
- [↓](#) Install Guide - Water Filter Replacement
- [↓](#) Data Sheet Freestanding Refrigerator Freezer



**A PEACE OF MIND SALE**

**24 Hours 7 Days a Week Customer Support**

**T 1.888.936.7872 Wwww.fisherpaykel.com**